



## INSTALLATION INSTRUCTIONS FOR PART 99-7300

### APPLICATIONS

# HYUNDAI Tiburon 1997-2002

# HYUNDAI Accent 2000-2001

# 99-7300

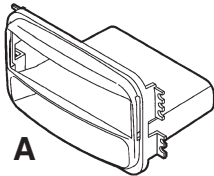
#### KIT FEATURES

- ISO Mount Radio Provision

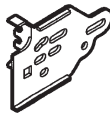


#### KIT COMPONENTS

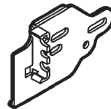
- A) Radio Housing 1 • B) Bracket Set 1 • C) (2) #10 x 3/4" Phillips Screws • D) Radio Housing 2  
• E) Bracket Set 2 • F) (4) #10 x 3/4" Phillips Pan Headed Screws



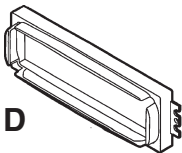
A



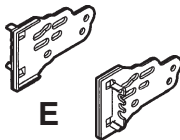
B



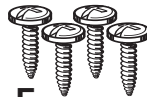
C



D



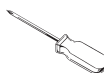
E



F

#### TOOLS REQUIRED:

Phillips Screwdriver • Panel Removal Tool



1-800-221-0932



[www.metraonline.com](http://www.metraonline.com)

© COPYRIGHT 2004-2007 METRA ELECTRONICS CORPORATION



**TABLE OF CONTENTS**

**Dash Disassembly**

- ***HYUNDAI Tiburon 1997-2002* .....1**
- ***HYUNDAI Accent 2000-2001* ..... 2**

**Kit Assembly**

- ***Tiburon ISO Mount Radio Provision with Pocket* .....3**
- ***Accent ISO Mount Radio Provision* .....4**

**Final Assembly .....5**

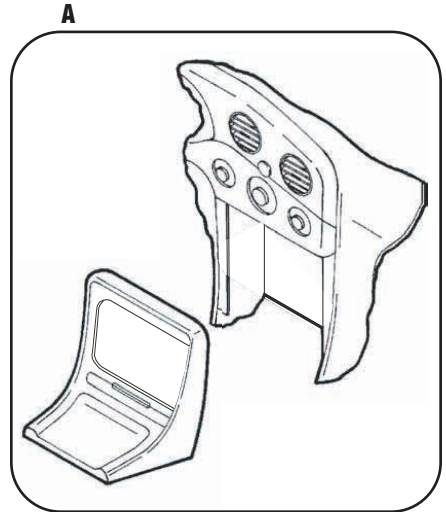
**\*Note:**

**Refer also to the instructions included with the aftermarket radio.**

## HYUNDAI Tiburon 1997-2002

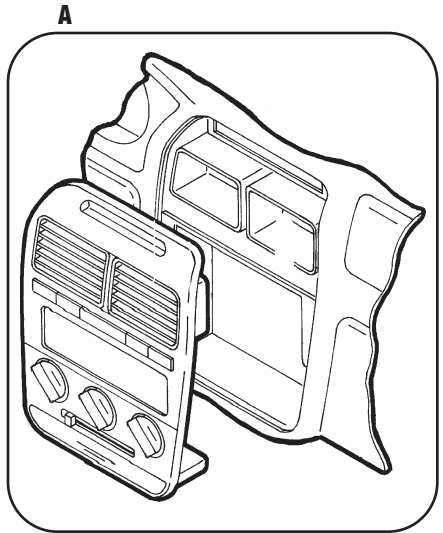
- 1 Disconnect the negative battery terminal to prevent an accidental short circuit.
- 2 Remove (4) Phillips screws securing the center console. Pry out on the front edge of the console and unclip the radio trim bezel. Remove (4) Phillips screws securing the factory head unit and disconnect the wiring. (Figure A)

*Continue to final assembly.*



## HYUNDAI Accent 2000-2001

- 1 Disconnect the negative battery terminal to prevent an accidental short circuit.
- 2 Open the cupholder and remove (2) Phillips screws exposed. Lower the glove box and detach the vent cable exposed. Reach under the driver's side dash and detach the vent cable exposed. Reach under the driver's side dash and detach (2) vent cables located above the accelerator. Unclip the dash trim bezel and remove. Remove (4) screws securing the factory head unit and disconnect the wiring. (Figure A)



*Continue to final assembly.*

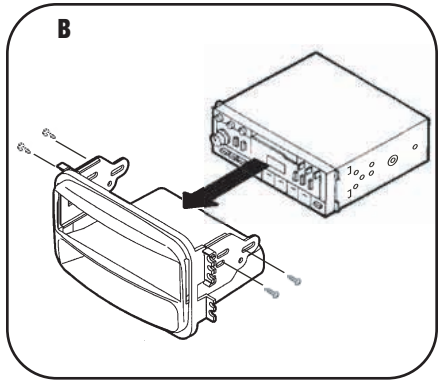
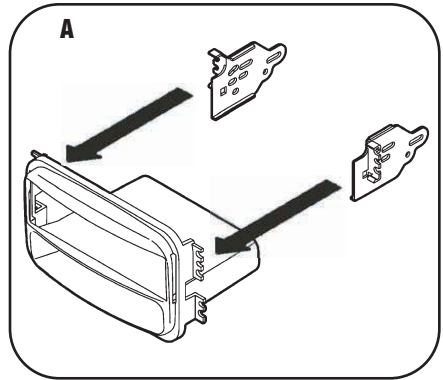
## **HYUNDAI TIBURON ISO MOUNT** **RADIO PROVISION WITH POCKET**

*\*Note: Refer also to the instructions included with the aftermarket radio.*

**1** Snap the ISO Brackets over the mounting tabs on the Radio Housing.  
(Figure A)

**2** Slide the head unit into the Radio Housing, align the holes in the head unit with the holes in the Housing and mount the unit with the screws supplied with the unit. (Figure B)

*Continue to final assembly.*

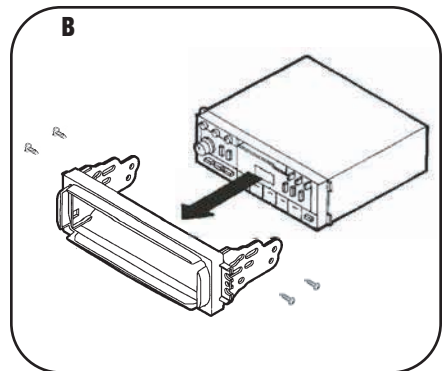
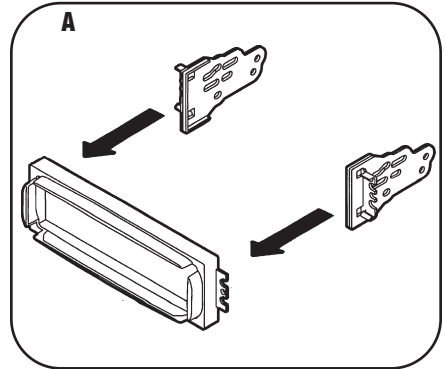


**HYUNDAI ACCENT ISO MOUNT RADIO PROVISION**

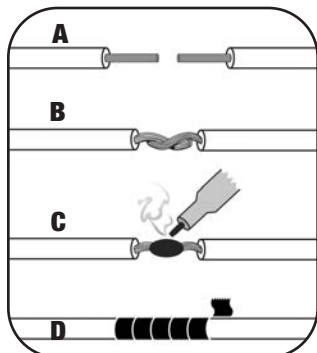
*\*Note: Refer also to the instructions included with the aftermarket radio.*

- 1 Snap the ISO Brackets over the mounting tabs on the Radio Housing. (Figure A)
- 2 Slide the head unit into the Radio Housing, align the holes in the head unit with the holes in the Housing and mount the unit with the screws supplied with the unit. (Figure B)

*Continue to final assembly.*



## FINAL ASSEMBLY



**(A) Strip wire ends back 1/2"**

**B) Twist ends together**

**C) Solder**

**D) Tape**

- 1 Locate the factory wiring harness in the dash. Metra recommends using the proper mating adapter and making connections as shown. (Isolate and individually tape off the ends of any unused wires to prevent electrical short circuit.)
- 2 Re-connect the negative battery terminal and test the unit for proper operation.
- 3 Reassemble radio and dash assemblies in reverse order of disassembly.

**\*NOTE:** To mount Radio Housing assembly in Tiburon use (2) factory screws removed during disassembly and (2) #10 X 3/4" Phillips screws supplied with this kit.

### FINAL WIRING CONNECTIONS

Make wiring connections using the EIA color code chart shown below and the instructions included with the head unit. Metra recommends making connections as shown below; Strip, Splice, Solder, Tape. Isolate and individually tape off ends of any unused wires to prevent electrical short circuit.

#### METRA / EIA WIRING CODE

12V Ignition / Acc. . . . . Red	Right Front (+) . . . . . Gray
12V Batt / Memory . . . . . Yellow	Right Front (-) . . . . . Gray/ Black
Ground . . . . . Black*	Left Front (+) . . . . . White
Power Antenna . . . . . Blue	Left Front (-) . . . . . White / Black
Amp Turn-On . . . . . Blue / White	Right Rear (+) . . . . . Violet
Amp Ground . . . . . Black / White	Right Rear (-) . . . . . Violet / Black
Illumination . . . . . Orange	Left Rear (+) . . . . . Green
Dimmer . . . . . Orange / White	Left Rear (-) . . . . . Green / Black

**\*NOTE:** When a Black wire is not present, ground radio to vehicle chassis.  
 All colors may not be present on all leads due to manufacturer's specifications.

# 99-7300 INSTRUCTIONS



**1-800-221-0932**



**[www.metraonline.com](http://www.metraonline.com)**

REV. 08/24/07 © COPYRIGHT 2004-2007 METRA ELECTRONICS CORPORATION INST99-7300



## Free Manuals Download Website

<http://myh66.com>

<http://usermanuals.us>

<http://www.somanuals.com>

<http://www.4manuals.cc>

<http://www.manual-lib.com>

<http://www.404manual.com>

<http://www.luxmanual.com>

<http://aubethermostatmanual.com>

Golf course search by state

<http://golfingnear.com>

Email search by domain

<http://emailbydomain.com>

Auto manuals search

<http://auto.somanuals.com>

TV manuals search

<http://tv.somanuals.com>