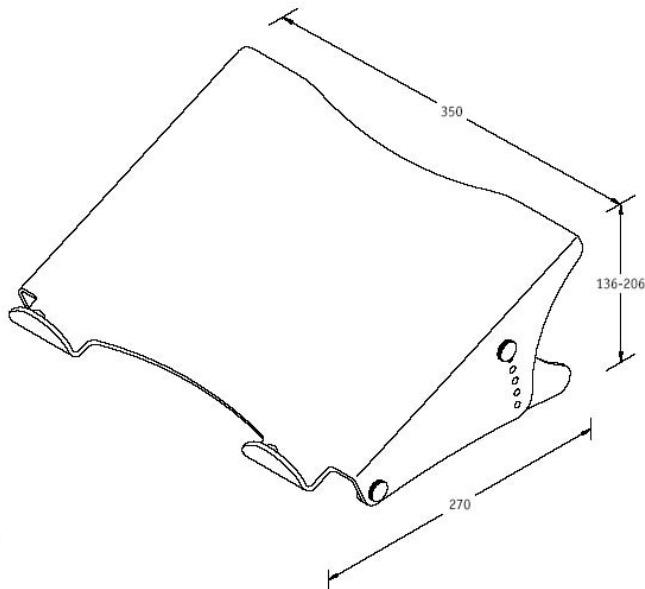
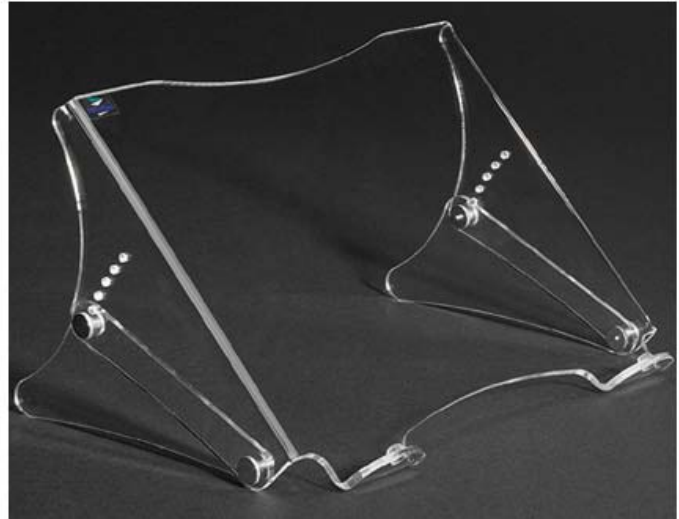




www.hypertec.co.uk

Height Adjustable Ergo Notebook Stand

Part Code: 49.450-HY



Allows notebook users to adjust their flat screen to appropriate ergonomic height, whilst keying with mini keyboard.

Height adjustable from 136-206mm (6 heights).

Durable cast acrylic sheet construction.

Warranty: 1 Year

Available from:

Hypertec Ltd, 2 Swangate, Charnham Park, Hungerford, Berkshire, RG17 0YX
Tel: 0870 243 5603 Fax: 0870 243 5604 www.hypertec.co.uk

Free Manuals Download Website

<http://myh66.com>

<http://usermanuals.us>

<http://www.somanuals.com>

<http://www.4manuals.cc>

<http://www.manual-lib.com>

<http://www.404manual.com>

<http://www.luxmanual.com>

<http://aubethermostatmanual.com>

Golf course search by state

<http://golfingnear.com>

Email search by domain

<http://emailbydomain.com>

Auto manuals search

<http://auto.somanuals.com>

TV manuals search

<http://tv.somanuals.com>