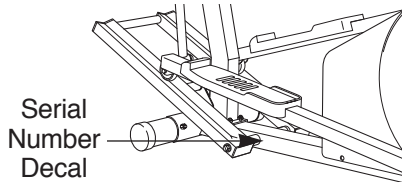


# HEALTHRIDER

E L L I P T I C A L   C R O S S T R A I N E R

Model No. HREL89070

Serial No. \_\_\_\_\_



## QUESTIONS?

If you have questions, or if there are missing or damaged parts, please call direct to our toll-free Customer Hot Line. The trained technicians on our Customer Hot Line will provide immediate assistance, free of charge to you.

CUSTOMER HOT LINE:

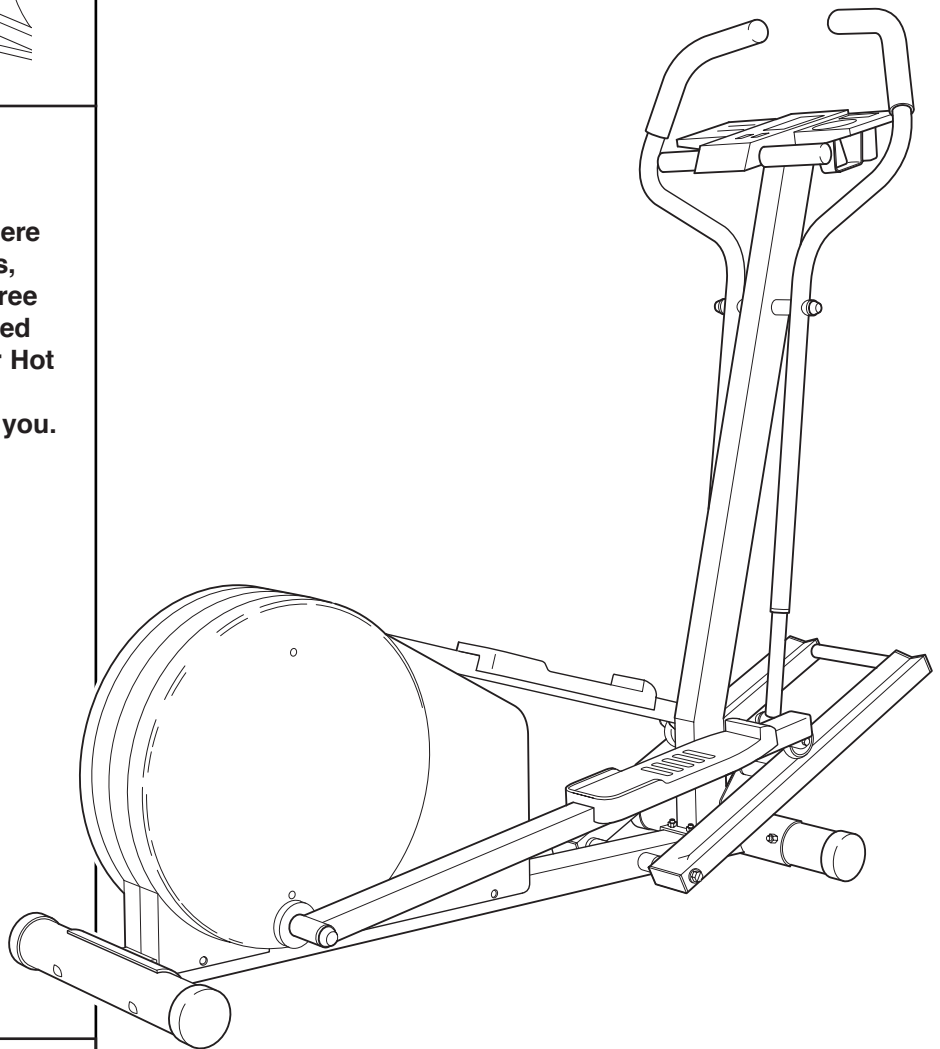
**1-800-999-3756**

Mon.-Fri., 6 a.m.-6 p.m. MST

Patent Pending

## CAUTION

Read all precautions and instructions in this manual before using this equipment. Keep this manual for future reference.



# USER'S MANUAL

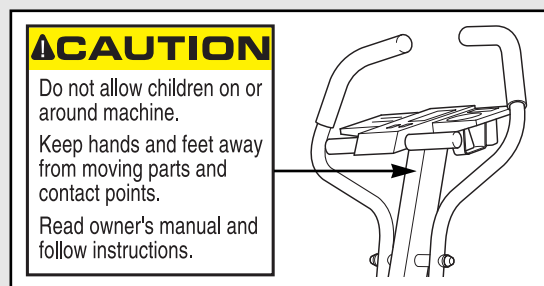
# TABLE OF CONTENTS

IMPORTANT PRECAUTIONS .....	2
BEFORE YOU BEGIN .....	3
ASSEMBLY .....	4
HOW TO USE THE ELLIPTICAL CROSSTRAINER .....	8
MAINTENANCE .....	11
CONDITIONING GUIDELINES .....	12
PART LIST .....	14
EXPLODED DRAWING .....	15
HOW TO ORDER REPLACEMENT PARTS .....	Back Cover
LIMITED WARRANTY .....	Back Cover

## IMPORTANT PRECAUTIONS

**WARNING:** To reduce the risk of serious injury, read the following important precautions before using the elliptical crosstrainer.

1. Read all instructions in this manual before using the elliptical crosstrainer.
2. It is the responsibility of the owner to ensure that all users are adequately informed of all precautions.
3. Place the elliptical crosstrainer on a level surface, with a mat beneath it to protect the floor or carpet. Keep the elliptical crosstrainer indoors, away from moisture and dust.
4. Inspect and tighten all parts regularly. Replace any worn parts immediately.
5. Keep children under age 12 and pets away from the elliptical crosstrainer at all times.
6. The elliptical crosstrainer should not be used by persons weighing more than 250 pounds.
7. Wear appropriate exercise clothing when using the elliptical crosstrainer. Always wear athletic shoes for foot protection.
8. Hold the handlebar when mounting or dismounting the elliptical crosstrainer. Always hold the handlebar or the upper body arms when using the elliptical crosstrainer.
9. When you stop exercising, allow the pedals to slowly come to a stop.
10. Keep your back straight when using the elliptical crosstrainer. Do not arch your back.
11. If you feel pain or dizziness while exercising, stop immediately and begin cooling down.
12. The elliptical crosstrainer is intended for in-home use only. Do not use it in any commercial, rental, or institutional setting.
13. The decal shown below is found on the elliptical crosstrainer. If the decal is missing, or if it is not legible, call toll-free 1-800-999-3756 to order a free replacement decal. Apply the decal in the location shown.



**WARNING:** Before beginning this or any exercise program, consult your physician. This is especially important for persons over the age of 35 or persons with pre-existing health problems. Read all instructions before using. ICON assumes no responsibility for personal injury or property damage sustained by or through the use of this product.

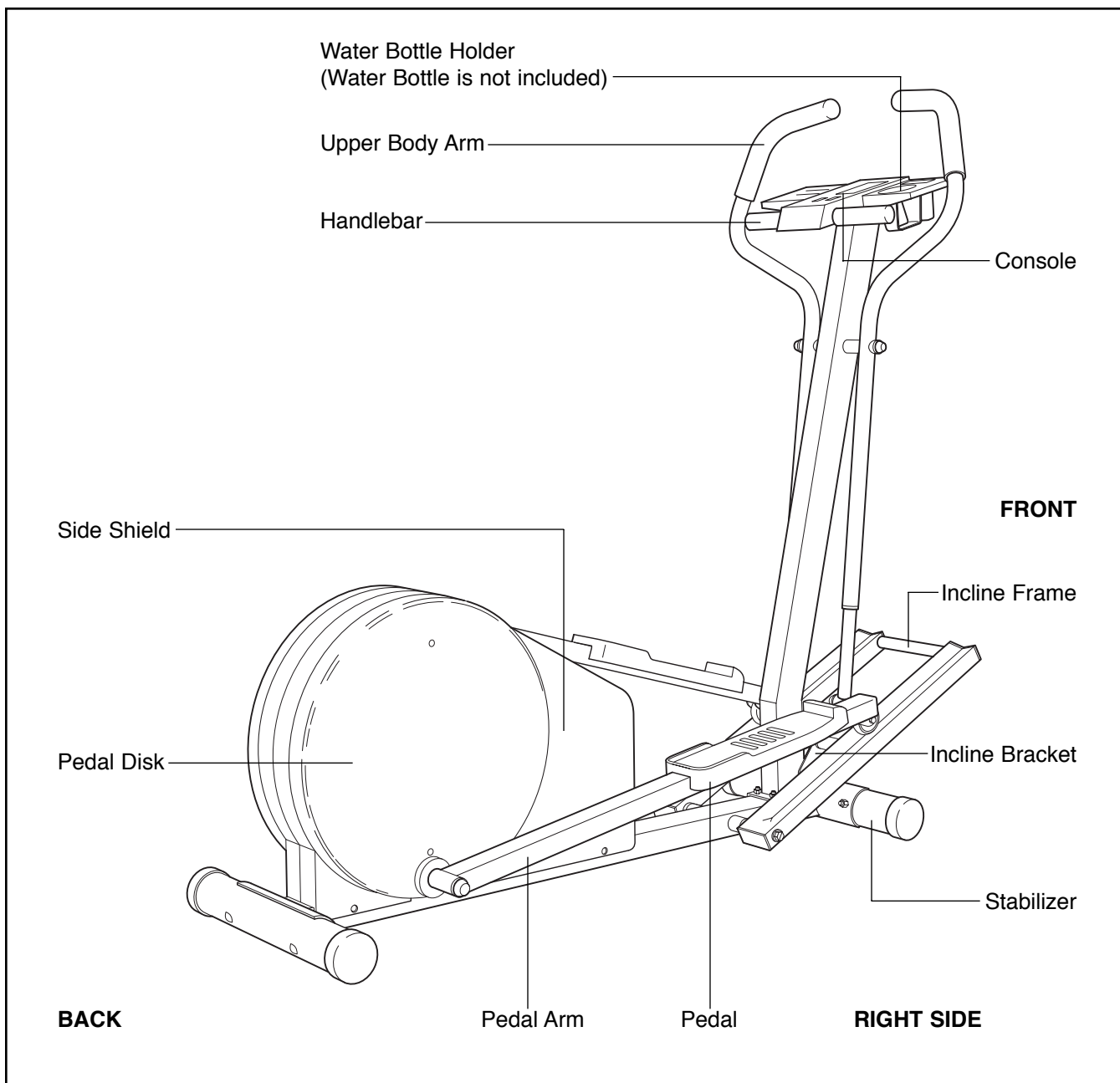
# BEFORE YOU BEGIN

Congratulations for selecting the revolutionary HealthRider® Elliptical Crosstrainer. The HealthRider® Elliptical Crosstrainer is an incredibly smooth exerciser that moves your feet in a natural elliptical path, minimizing the impact on your knees and ankles. And the unique Elliptical Crosstrainer features adjustable resistance, two-position incline, and upper body arms to help you get the most from your exercise. Welcome to a whole new world of natural, elliptical-motion exercise from HealthRider.

**For your benefit, read this manual carefully before you use the Elliptical Crosstrainer.** If you have



additional questions, please call our Customer Service Department toll-free at 1-800-999-3756, Monday through Friday, 6 a.m. until 6 p.m. Mountain Time (excluding holidays). To help us assist you, please note the product model number and serial number before calling. The model number is HREL89070. The serial number can be found on a decal attached to the Elliptical Crosstrainer (see the front cover of this manual for the location of the decal).

Before reading further, please look at the drawing below and familiarize yourself with the parts that are labeled.



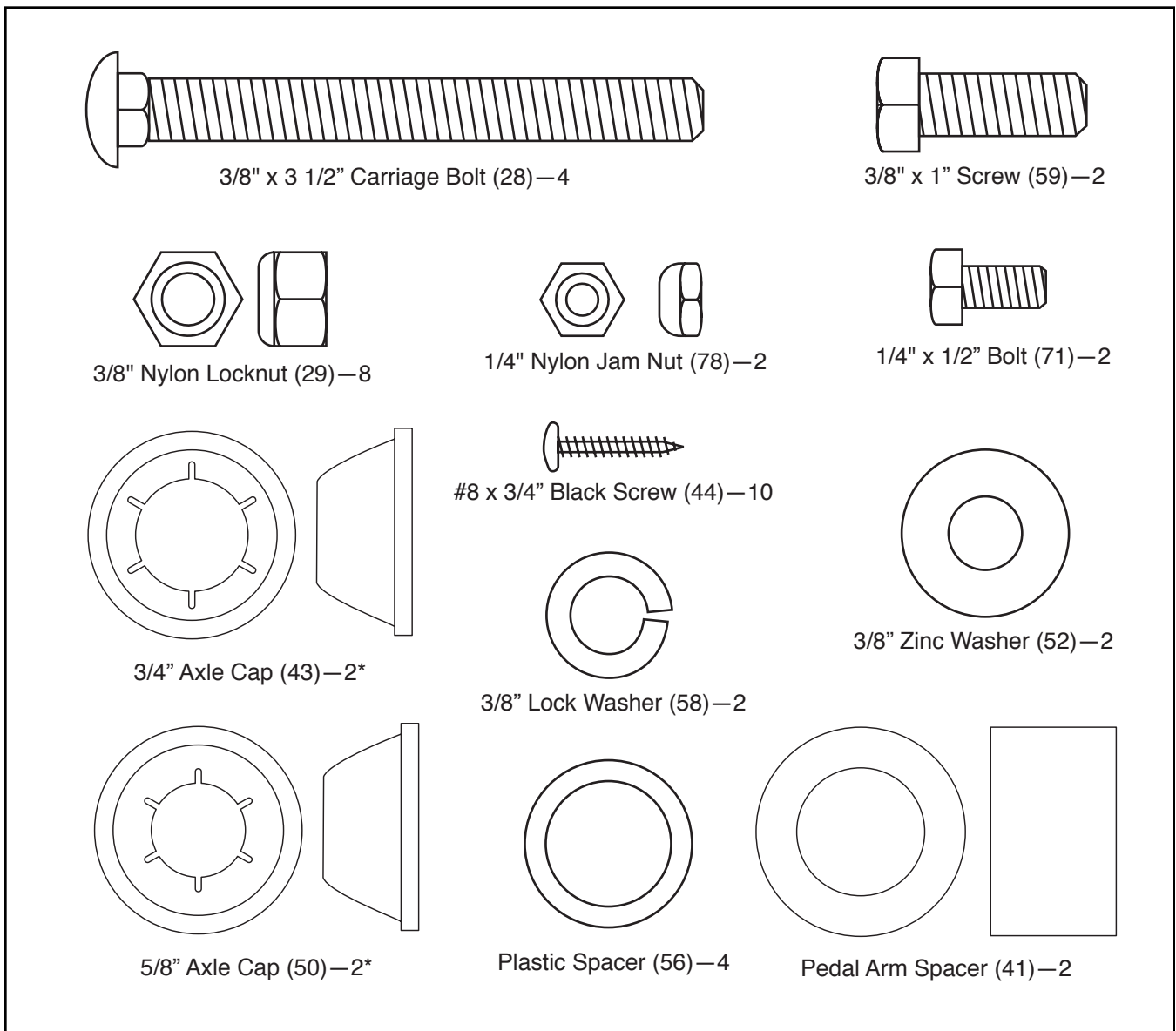
# ASSEMBLY

**Assembly requires two persons.** Place all parts of the elliptical crosstrainer in a cleared area and remove the packing materials. **Do not dispose of the packing materials until assembly is completed.**

The following tools are required for assembly: a phillips screwdriver , two adjustable wrenches , and a rubber mallet .

## PART CHART

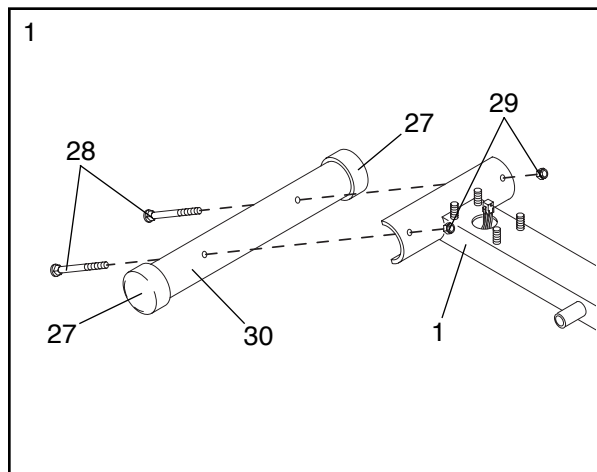
Use the part drawings below to identify the small parts used in assembly. The number in parenthesis below each drawing refers to the key number of the part. The second number refers to the quantity used in assembly. **Note: Some small parts may have been pre-attached for shipping. If a part is not in the parts bag, check to see if it has been pre-attached.**



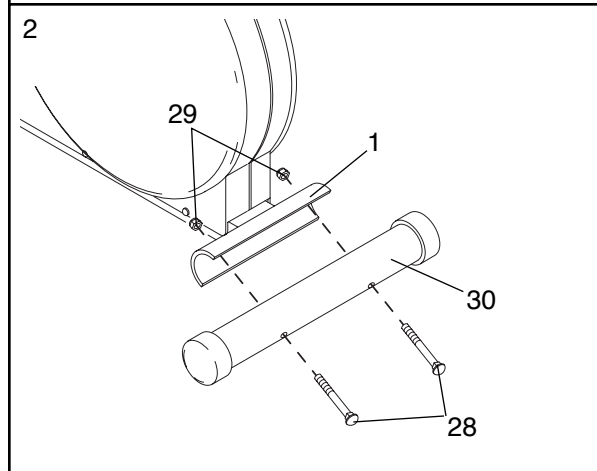
\*Extra Axle Caps (43, 50) may be included.

1. Make sure that there are Stabilizer Endcaps (27) on the ends of both Stabilizers (30).

Hold one of the Stabilizers (30) against the saddle on the front of the Base (1). Make sure that the Stabilizer is turned so the square holes are facing away from the Base. Attach the Stabilizer with two 3/8" x 3 1/2" Carriage Bolts (28) and two 3/8" Nylon Locknuts (29).



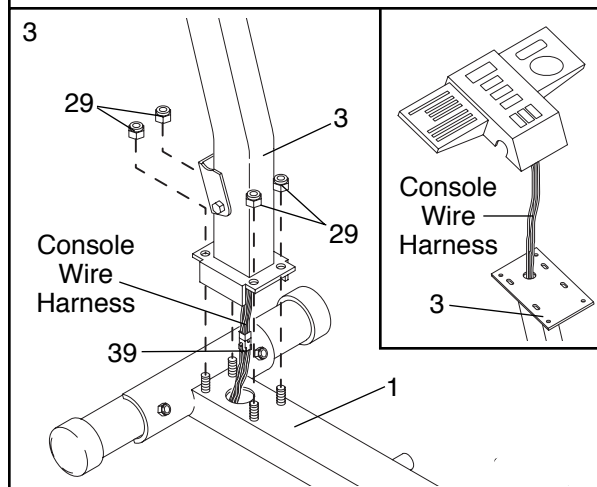
2. Hold the other Stabilizer (30) against the saddle on the rear of the Base (1). Make sure that the Stabilizer is turned so the square holes are facing away from the Base. Attach the Stabilizer with two 3/8" x 3 1/2" Carriage Bolts (28) and two 3/8" Nylon Locknuts (29).



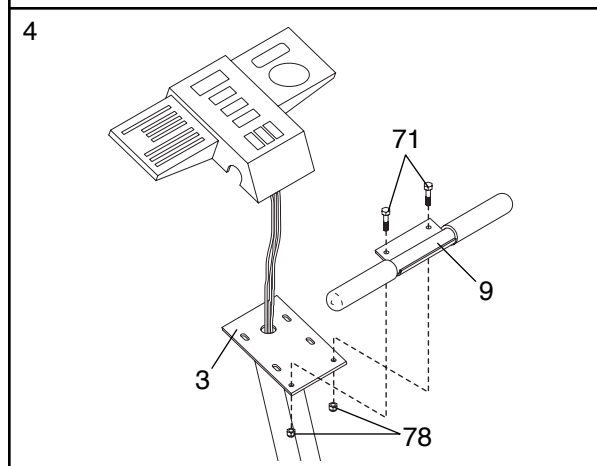
3. Refer to the inset drawing. Feed the console wire harness into the Upright (3), until the end of the console wire harness extends from the bottom of the Upright.

While another person holds the Upright (3), connect the console wire harness to the Main Wire Harness (39). If the wire harnesses do not fit together easily, turn them—do not force them together. **After you have connected the wire harnesses, pull any slack in the wire harnesses up through the Upright.**

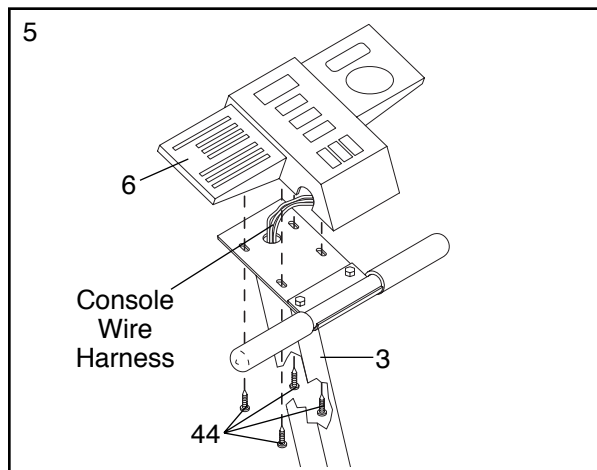
Slide the Upright (3) onto the welded bolts on the Base (1). **Be careful to avoid pinching the wire harnesses.** Tighten a 3/8" Nylon Locknut (29) onto each welded bolt.



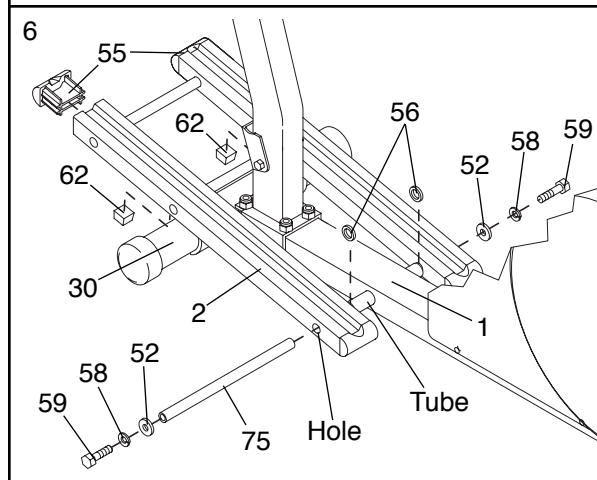
4. Attach the Handlebar (9) to the bracket on the Upright (3) with two 1/4" x 1/2" Bolts (71) and two 1/4" Nylon Jam Nuts (78).



5. Feed all of the slack in the console wire harness down into the Upright (3). Attach the Console (6) to the Upright with four #8 x 3/4" Black Screws (44). **Be careful to avoid pinching the console wire harness.**

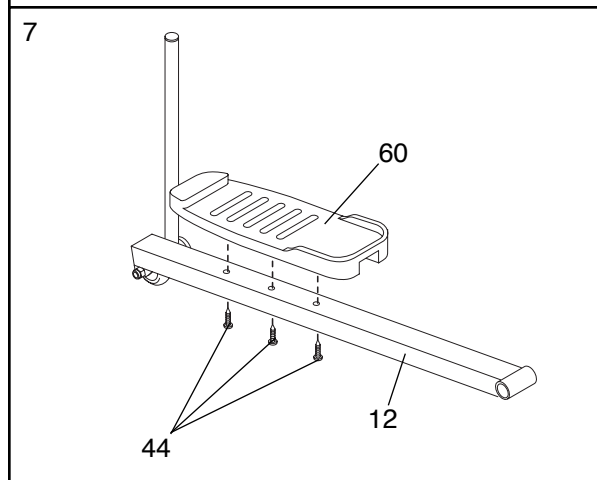


6. Align the indicated holes in the Incline Frame (2) with the tube on the Base (1). Insert the Incline Axle (75) through the left side of the Incline Frame, through a Plastic Spacer (56), through the tube on the Base, through another Plastic Spacer, and through the right side of the Incline Frame. Using two adjustable wrenches, tighten a 3/8" x 1" Screw (59), with a Lock Washer (58) and a 3/8" Zinc Washer (52), into each end of the Incline Axle.



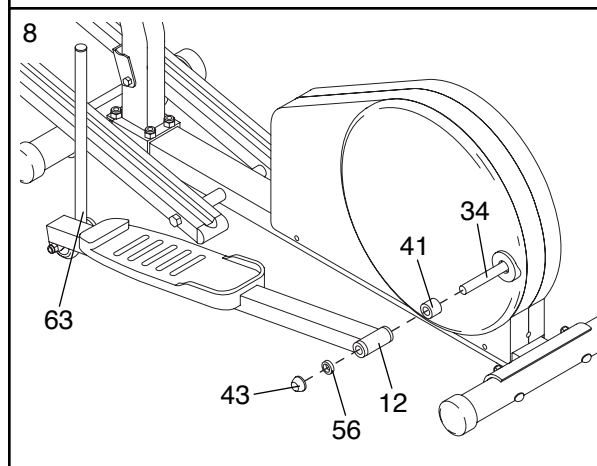
Tap the two Incline Frame Endcaps (55) into the Incline Frame (2). Remove the backing from the two Bumpers (62). Press the Bumpers onto the underside of the Incline Frame where the Incline Frame touches the front Stabilizer (30).

7. Attach a Pedal (60) to the left Pedal Arm (12) with three #8 x 3/4" Black Screws (44).



Attach a Pedal (60) to the right Pedal Arm (not shown).

8. Slide a Pedal Arm Spacer (41), the left Pedal Arm (12), and a Plastic Spacer (56) onto the axle on the left Pulley Arm (34) (these parts fit tightly; it may be helpful to use the rubber mallet). **Be careful not to confuse the left Pedal Arm with the right Pedal Arm (not shown); look at the position of the Chrome Extension Tube (63) to identify the left Pedal Arm.**



Tap a 3/4" Axle Cap (43) onto the axle on the left Pulley Arm (34).

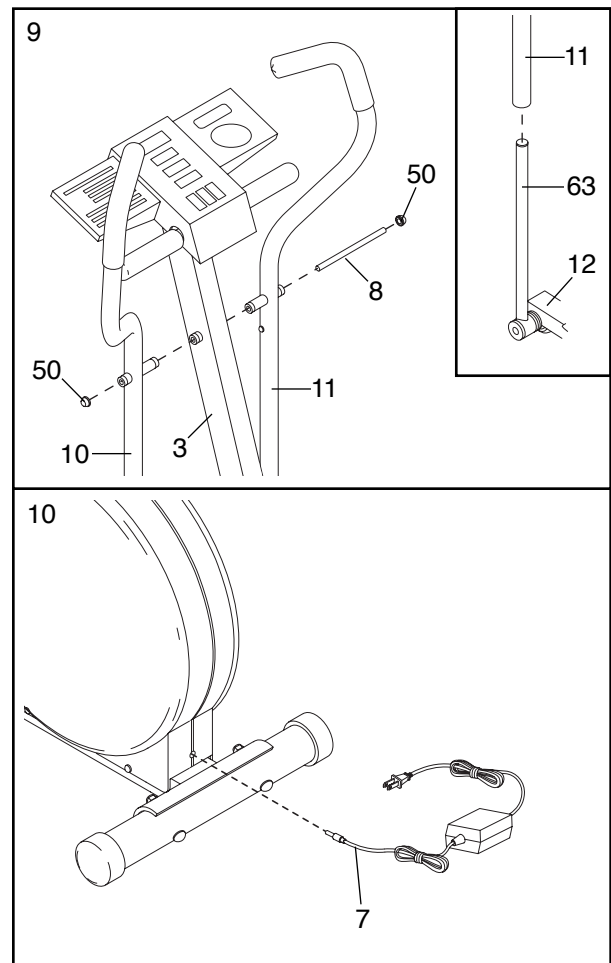
Repeat this step to attach the right Pedal Arm (not shown).

9. Refer to the inset drawing. Apply some of the included clear lubricant to a paper towel; rub a thin film of lubricant onto the Chrome Extension Tube (63) on the right Pedal Arm (12). Slide the Chrome Extension Tube into the Right Upper Body Arm (11).

Assemble the Left Upper Body Arm (10) and the other Chrome Extension Tube (63) in the same manner.

Tap a 5/8" Axle Cap (50) onto the Axle (8). Slide the Right Upper Body Arm (11) onto the Axle. Insert the Axle into the Upright (3). Slide the Left Upper Body Arm (10) onto the Axle. Tap another 5/8" Axle Cap onto the Axle.

10. Plug the Power Cord (7) into the jack at the rear of the elliptical crosstrainer. **Make sure to keep the Power Cord away from walkways and heated surfaces.**



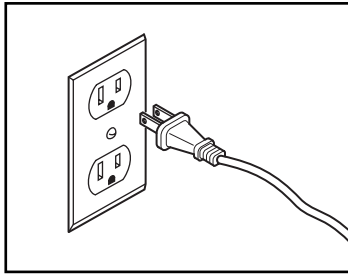
11. **Make sure that all parts of the elliptical crosstrainer are properly tightened.** To protect the floor or carpet from damage, place a mat under the elliptical crosstrainer.



# HOW TO USE THE ELLIPTICAL CROSSTRAINER

## PLUGGING IN THE POWER CORD

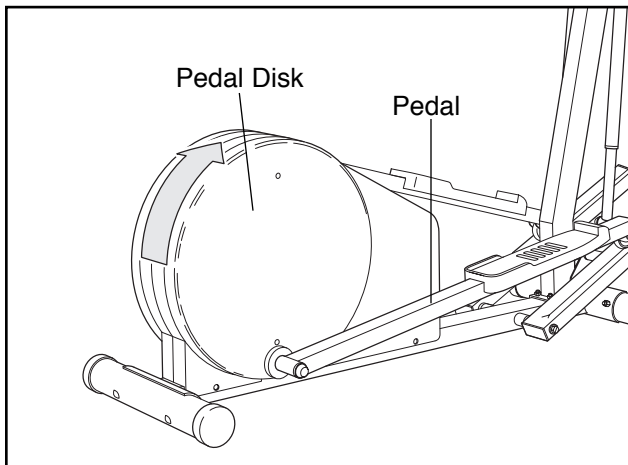
Plug the power cord into a 120-volt outlet. The displays and indicators on the console will flash once; the displays and various indicators will then light and a tone will sound. **Please**



**read through all instructions in this section before using the elliptical crosstrainer.**

## EXERCISING ON THE ELLIPTICAL CROSSTRAINER

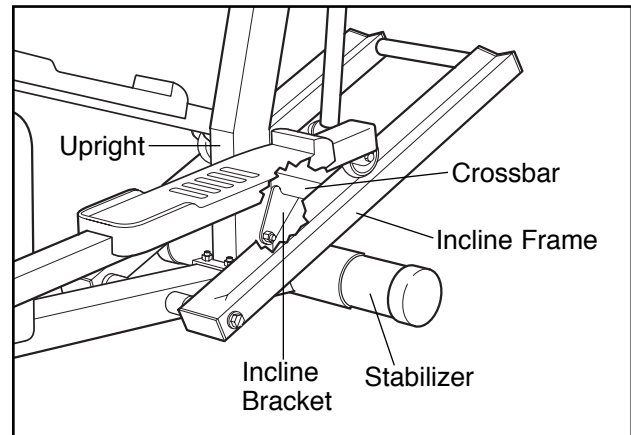
To mount the elliptical crosstrainer, hold the handlebar and step onto the pedal that is in the lowest position. Next, step onto the other pedal. Push the pedals until they begin to move with a continuous motion. **Note: The pedal disks can turn in either direction. It is recommended that you move the pedal disks in the direction shown below; however, to give variety to your exercise, you may choose to turn the pedal disks in the opposite direction.**



To dismount the elliptical crosstrainer, wait until the pedals come to a complete stop. **CAUTION: The elliptical crosstrainer does not have a freewheel; the pedals will continue to move until the flywheel stops.** When the pedals are stationary, step off the highest pedal first. Then, step off the lowest pedal.

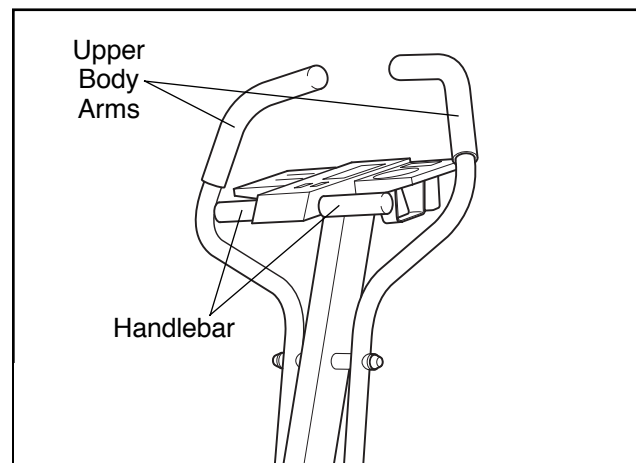
## INCLINE ADJUSTMENT

The incline frame can be raised or lowered to vary the intensity of your exercise. To raise the incline frame, lift the end of the incline frame until the crossbar is resting on top of the incline bracket. **Make sure that the incline frame is resting securely on top of the incline bracket.** To lower the incline frame, first lift the incline frame slightly. Then, push the incline bracket toward the upright and lower the incline frame onto the stabilizer.



## USING THE UPPER BODY ARMS

The upper body arms are designed to give you a total body workout. As you exercise, hold the upper body arms and move your arms forward and back in order to work your arms, back, and shoulders.



If you want to exercise only your lower body, hold the handlebar as you exercise.

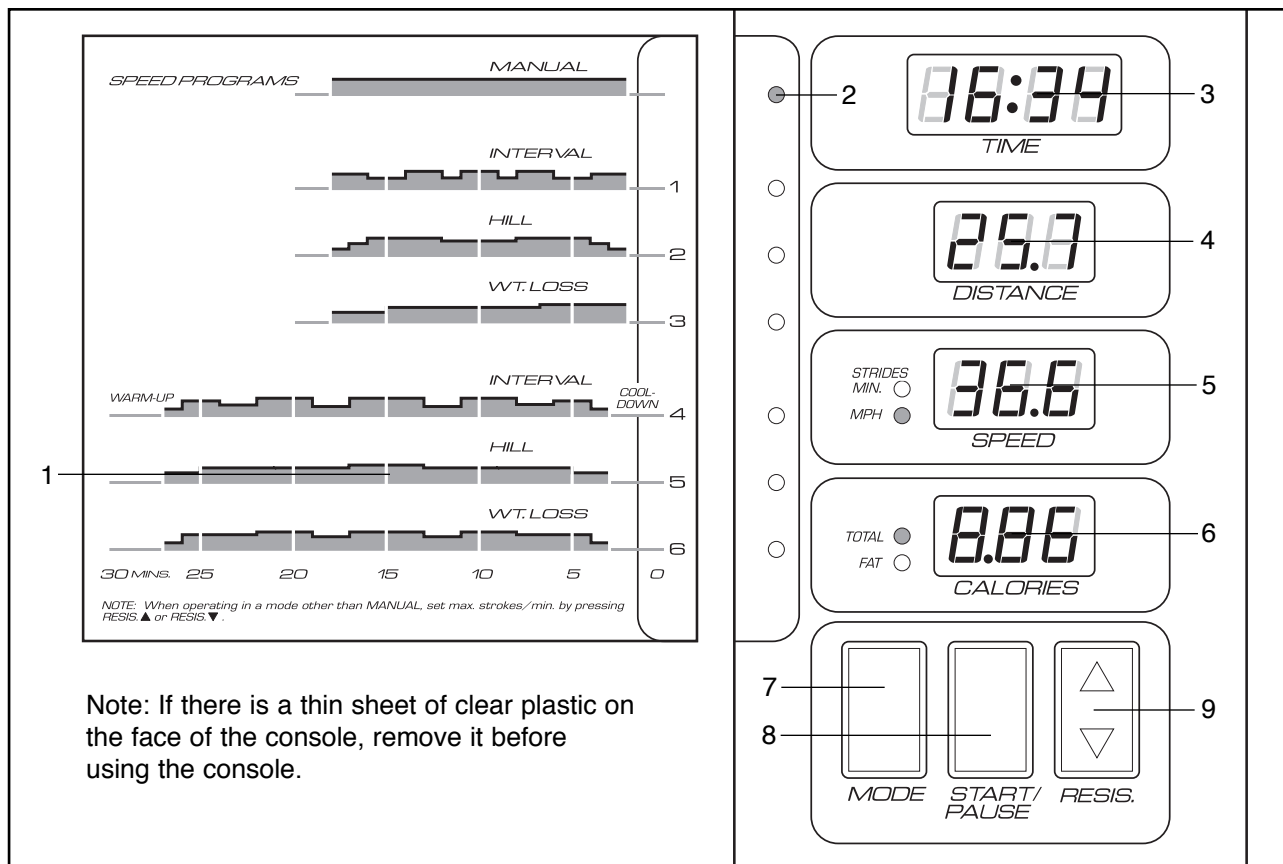


## FEATURES OF THE CONSOLE

The console offers a variety of features that help you get the most from your exercise. When the console is in the manual mode, the resistance of the pedals can be changed with a touch of a button. As you exercise, four LED displays will provide continuous exercise feedback. The console also offers six workout programs. Each workout program is designed to change the resistance automatically as it guides you through an effective workout.

## DIAGRAM OF THE CONSOLE

1. Program Profiles—These profiles show how the resistance will change during the six workout programs. During program 5, for example, the resistance will gradually increase during the first half of the program, and then gradually decrease during the last half.
2. Mode Indicators—These indicators show which mode is selected (the manual mode or one of the six workout programs).
3. TIME display—When the manual mode is selected, this display will show the elapsed time. When a workout program is selected, this display shows the time remaining in the program.
4. DISTANCE display—This display shows the total distance you have completed, in miles.
5. SPEED display—This display shows the number of strides you are taking per minute, as well as your current speed in miles per hour. The display will change from one number to the other every seven seconds. When the number of strides per minute is shown, the STRIDES MIN. indicator will light; when your current speed is shown, the MPH indicator will light.
6. CALORIES display—This display shows the total number of calories you have burned and the number of fat calories you have burned. (See BURNING FAT on page 12 for an explanation of fat calories.) The display will change from one number to the other every seven seconds. When the total number of calories is shown, the TOTAL indicator will light; when the number of fat calories is shown, the FAT indicator will light.
7. MODE button—This button is used to select the MANUAL mode and the six workout programs.
8. START/PAUSE button—This button is used to start and pause the workout programs.
9. RESISTANCE (RESIS.) button—This button changes the resistance of the pedals.



## HOW TO USE THE MANUAL MODE

Make sure that the power cord is plugged into a 120-volt outlet. Follow the steps below to use the manual mode of the console.

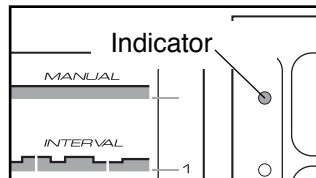
### 1 Turn on the power.

If you just plugged in the power cord or moved the pedals, the power will already be on. The power can also be turned on by pressing any button on the console.

### 2 Select the manual mode.

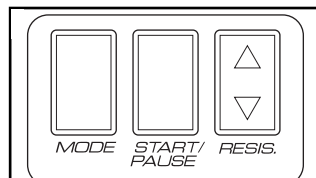
When the power is first turned on, the manual mode will automatically be selected and the manual mode indicator will light.

If a different mode is selected, press the MODE button repeatedly to select the manual mode.



### 3 Begin striding and adjust the resistance.

When the MANUAL mode is selected, the resistance of the pedals will be at the minimum setting. As you exercise, adjust the resistance as desired by pressing the RESIS. button. Pressing the upper arrow on the button will increase the resistance; pressing the lower arrow will decrease the resistance.



If you stop exercising for twenty seconds or longer, or if you press the START/PAUSE button, a tone will sound, the console will pause, and the TIME display will begin to flash. In addition, the resistance of the pedals will return to the minimum setting. To restart the console, press the START/PAUSE button or simply begin striding.

### 4 Follow your progress with the four displays.

As you exercise, the four displays will provide continuous feedback (see paragraphs 3, 4, 5, and 6 on page 9).

### 5 Turn off the power.

If the pedals are not moved and the console buttons are not pressed for ten minutes, **the power will turn off automatically.**

## HOW TO USE THE WORKOUT PROGRAMS

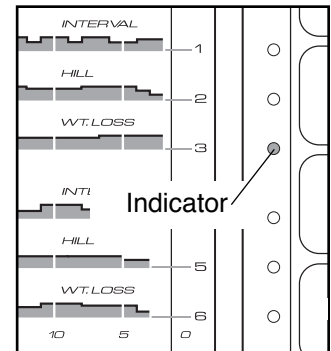
### 1 Turn on the power.

See step 1 at the left.

### 2 Select one of the six workout programs.

Press the MODE button repeatedly to select the desired program. An indicator will light to show which program you have selected.

Programs 1, 2, and 3 are twenty-minute programs; programs 4, 5, and 6 are thirty-minute programs.



### 3 Start the program.

Press the START/PAUSE button and begin striding. As you exercise, the resistance of the pedals will periodically change as shown by the profiles on the left side of the console. (Note: If the resistance is too high or too low, it can be adjusted with the RESIS. button. Pressing the upper arrow on the button will increase all resistance settings of the program; pressing the lower arrow will decrease all resistance settings.) The program will continue until no time remains in the TIME display.

To pause the program before the program is completed, press the START/PAUSE button. A tone will sound, the console will pause, and the TIME display will begin to flash. In addition, the resistance of the pedals will return to the minimum setting. (Note: The program will also automatically pause if the pedals are not moved for twenty seconds.) To restart the program, press the START/PAUSE button or simply begin striding. After a moment, the resistance of the pedals will return to the current program setting.

### 4 Follow your progress with the four displays.

During the program, the four displays will provide continuous feedback.

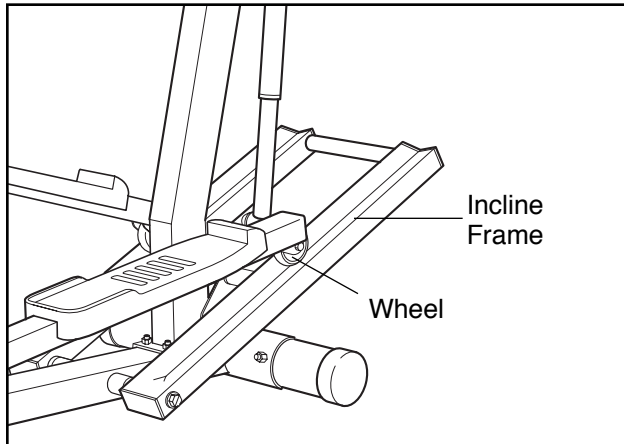
### 5 Turn off the power.

If the pedals are not moved and the console buttons are not pressed for ten minutes, **the power will turn off automatically.**

# MAINTENANCE

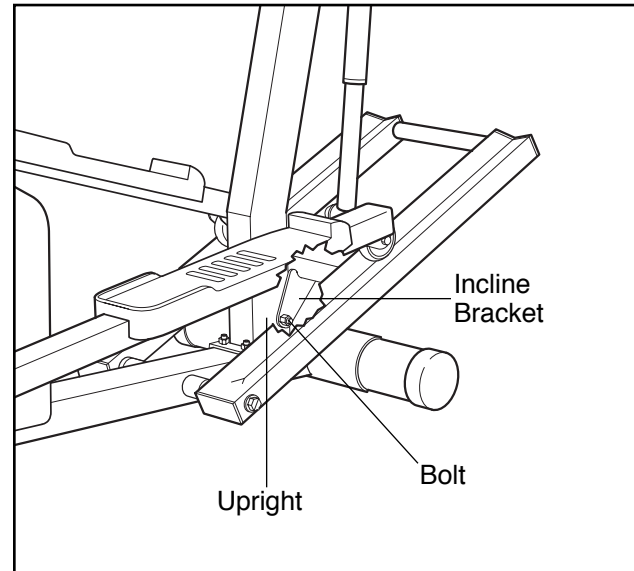
Inspect and tighten all parts of the elliptical crosstrainer regularly. Replace any worn parts immediately.

For smooth operation of the elliptical crosstrainer, the incline frame should be kept clean. Using a soft cloth and mild detergent, clean dust and other residue from the incline frame where the wheels move along it. Other parts of the elliptical crosstrainer can also be cleaned in this manner. **Never use abrasives or solvents to clean the elliptical crosstrainer.**



## LUBRICATING THE INCLINE BRACKET

You should regularly lubricate the incline bracket and the bolt on which it pivots. Apply a small amount of grease from the included grease packet to the bolt and between the bracket and the upright.



# CONDITIONING GUIDELINES

The following guidelines will help you to plan your exercise program. Remember that a proper diet and adequate rest are essential for successful results.

**WARNING: Before beginning this or any exercise program, consult your physician. This is especially important for persons over the age of 35 or persons with pre-existing health problems.**

## EXERCISE INTENSITY

Whether your goal is to burn fat or strengthen your cardiovascular system, the key to achieving the desired results is to exercise with the proper intensity. The proper intensity level can be found by using your heart rate as a guide. For effective exercise, your heart rate should be maintained at a level between 70% and 85% of your maximum heart rate as you exercise. This is known as your training zone.

You can find your training zone in the table below. Training zones are listed according to age and physical condition.

AGE	UNCONDITIONED TRAINING ZONE (BEATS/MIN)	CONDITIONED TRAINING ZONE (BEATS/MIN)
20	138-167	133-162
25	136-166	132-160
30	135-164	130-158
35	134-162	129-156
40	132-161	127-155
45	131-159	125-153
50	129-156	124-150
55	127-155	122-149
60	126-153	121-147
65	125-151	119-145
70	123-150	118-144
75	122-147	117-142
80	120-146	115-140
85	118-144	114-139

## Burning Fat

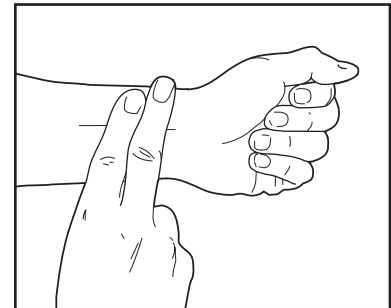
To burn fat, you must exercise at a low intensity level for a sustained period of time. During the first few minutes of exercise, your body uses easily accessible carbohydrate calories for energy. Only after the first few minutes of exercise does your body begin to use stored fat calories for energy. If your goal is to burn fat, adjust the intensity of your exercise until your heart rate is near the low end of your training zone as you exercise.

## Aerobic Exercise

If your goal is to strengthen your cardiovascular system, your exercise must be "aerobic." Aerobic exercise is activity that requires large amounts of oxygen for prolonged periods of time. This increases the demand on the heart to pump blood to the muscles, and on the lungs to oxygenate the blood. For aerobic exercise, adjust the intensity of your exercise until your heart rate is near the middle of your training zone.

## HOW TO MEASURE YOUR HEART RATE

To measure your heart rate, stop exercising and place two fingers on your wrist as shown. Take a six-second heartbeat count, and multiply the result by ten to find your heart rate. (A six-second count is used because your heart rate drops quickly when you stop exercising.) If your heart rate is too high, decrease the intensity of your exercise. If your heart rate is too low, increase the intensity of your exercise.



## WORKOUT GUIDELINES

Each workout should include three important parts: (1) a warm-up, (2) training zone exercise, and (3) a cool-down.

### Warming up

Warming up prepares the body for exercise by increasing circulation, delivering more oxygen to the muscles, and raising the body temperature. Begin each workout with 5 to 10 minutes of stretching and light exercise to warm up.

## Training Zone Exercise

After warming up, increase the intensity of your exercise until your heart rate is in your training zone for 20 to 30 minutes.

## Cooling Down

Finish each workout with 5 to 10 minutes of stretching. Stretching after exercise develops flexibility and helps

prevent post-exercise problems. A proper cool-down should leave you feeling relaxed and comfortably tired.

## EXERCISE FREQUENCY

To maintain or improve your condition, plan three workouts each week, with at least one day of rest between workouts. After a few months of regular exercise, you may complete up to five workouts each week, if desired.

## SUGGESTED STRETCHES

The correct form for several basic stretches is shown at the right. Move slowly as you stretch—never bounce.

### 1. Toe Touch Stretch

Stand with your knees bent slightly and slowly bend forward from your hips. Allow your back and shoulders to relax as you reach down toward your toes as far as possible. Hold for 15 counts, then relax. Repeat 3 times. Stretches: Hamstrings, back of knees and back.

### 2. Hamstring Stretch

Sit with one leg extended. Bring the sole of the opposite foot toward you and rest it against the inner thigh of your extended leg. Reach toward your toes as far as possible. Hold for 15 counts, then relax. Repeat 3 times for each leg. Stretches: Hamstrings, lower back and groin.

### 3. Calf/Achilles Stretch

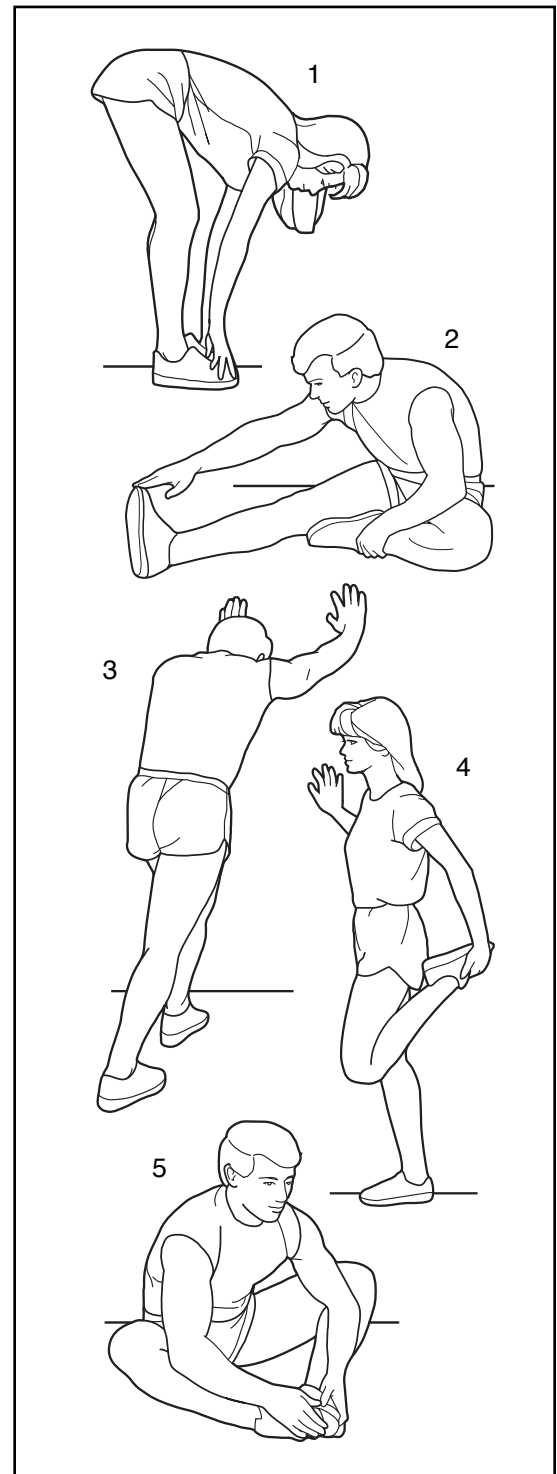
With one leg in front of the other, reach forward and place your hands against a wall. Keep your back leg straight and your back foot flat on the floor. Bend your front leg, lean forward and move your hips toward the wall. Hold for 15 counts, then relax. Repeat 3 times for each leg. To cause further stretching of the achilles tendons, bend your back leg as well. Stretches: Calves, achilles tendons and ankles.

### 4. Quadriceps Stretch

With one hand against a wall for balance, reach back and grasp one foot with your other hand. Bring your heel as close to your buttocks as possible. Hold for 15 counts, then relax. Repeat 3 times for each leg. Stretches: Quadriceps and hip muscles.

### 5. Inner Thigh Stretch

Sit with the soles of your feet together and your knees outward. Pull your feet toward your groin area as far as possible. Hold for 15 counts, then relax. Repeat 3 times. Stretches: Quadriceps and hip muscles.



# PART LIST—Model No. HREL89070

R0298A

Key No.	Qty.	Description	Key No.	Qty.	Description
1	1	Base	48	2	5/16" Nylon Locknut
2	1	Incline Frame	49	2	Wheel
3	1	Upright	50	2*	5/8" Axle Cap
4	1	Right Side Shield	51	2	Plastic Sleeve
5	1	Left Side Shield	52	4	3/8" Zinc Washer
6	1	Console	53	1	3/8" x 3 1/2" Bolt
7	1	Power Cord/Transformer	54	1	Incline Bracket
8	1	Axle	55	4	Incline Frame Endcap
9	1	Handlebar	56	4	Plastic Spacer
10	1	Left Upper Body Arm	57	2	5/16" Washer
11	1	Right Upper Body Arm	58	2	3/8" Lock Washer
12	2	Pedal Arm	59	2	3/8" x 1" Screw
13	1	#12 x 1/2" Screw	60	2	Pedal
14	1	Resistance Strap	61	2	1 1/4" Endcap
15	1	Strap Buckle	62	2	Bumper
16	1	#8 x 3/4" Screw	63	2	Chrome Extension Tube
17	2	1/4" Zinc Nut	64	4	Extension Bushing
18	2	Adjustment Bracket	65	1	Power Jack Bracket
19	2	1/4" Eyebolt	66	2	1 1/4" Plastic Spacer
20	2	3/8" Nylon Jam Nut	67	1	Belt
21	1	Flywheel Axle	68	2	Extension Washer
22	2	Flywheel Bearing	69	2	1/2" Metal Spacer
23	1	Flywheel w/Magnet	70	2	Pulley Arm Extension
24	1	Pulley Spacer	71	2	1/4" x 1/2" Bolt
25	1	Sensor Wire/Reed Switch	72	2	5/16" x 3/4" Screw
26	1	Pulley Washer	73	2	#6 x 3" Screw
27	4	3" Endcap	74	2	Small Foam Grip
28	4	3/8" x 3 1/2" Carriage Bolt	75	1	Incline Frame Axle
29	9	3/8" Nylon Locknut	76	1	Tension Spring
30	2	Stabilizer	77	1	Tension Cord
31	4	1/2" Inner Cap	78	2	1/4" Nylon Jam Nut
32	1	Pulley w/Axle	79	6	#10 x 3/4" Black Screw
33	2	Large Foam Grip	80	1	Motor Assembly
34	2	Pulley Arm	81	1	Magnet
35	6	Pivot Bushing	82	2	3/8" Black Washer
36	2	Pulley Bearing	83	1	Side Shield Bracket
37	2	Pedal Disk	84	8	#8 x 1/2" Screw
38	18	#8 x 3/4" Tek Screw	85	2	5/16" Lock Washer
39	1	Main Wire Harness	#	1	User's Manual
40	2	"L" Bracket	#	2	Side Shield Decal
41	2	Pedal Arm Spacer	#	1	Warning Decal
42	4	Pedal Arm Bushing	#	1	Hardware Kit
43	2*	3/4" Axle Cap	#	1	Grease Packet
44	10	#8 x 3/4" Black Screw	#	1	Clear Lubricant Packet
45	2	5/16" x 4" Shoulder Bolt			
46	4	5/16" Wheel Washer			
47	4	Wheel Bearing			

\* Extra Axle Caps may be included.

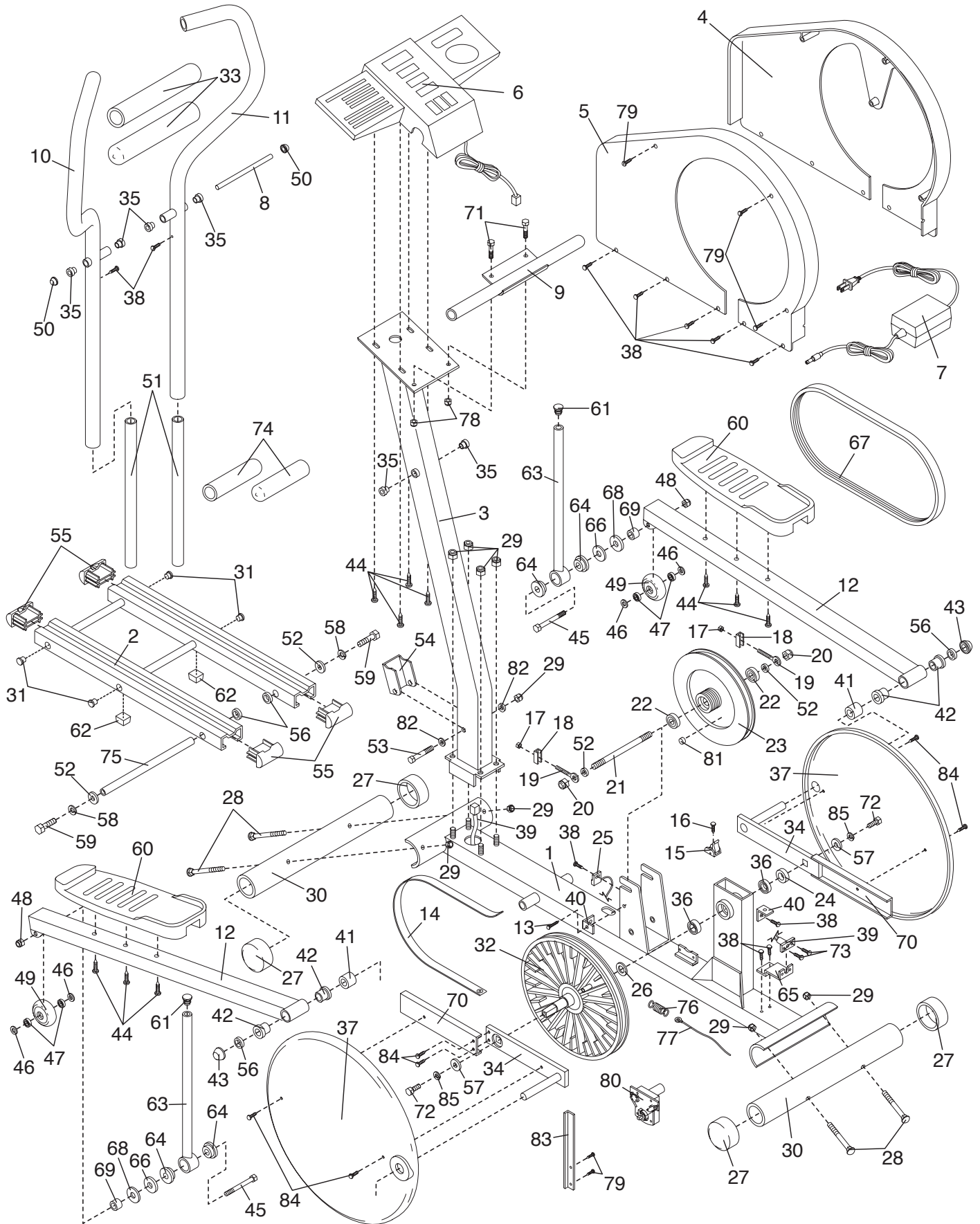
# Indicates a non-illustrated part.

Note: Specifications are subject to change without notice. See the back cover of this manual for information about ordering replacement parts.



# EXPLODED DRAWING—Model No. HREL89070

R0298A





---

# HOW TO ORDER REPLACEMENT PARTS

To order replacement parts, simply call our Customer Service Department toll-free at 1-800-999-3756, Monday through Friday, 6 a.m. until 6 p.m. Mountain Time (excluding holidays). To help us assist you, please be prepared to give the following information when calling:

- The MODEL NUMBER of the product (HREL89070).
- The NAME of the product (HealthRider® Elliptical Crosstrainer).
- The SERIAL NUMBER of the product (see the front cover of this manual).
- The KEY NUMBER and DESCRIPTION of the part(s) from page 14 of this manual.

HealthRider® is a registered trademark of ICON Health & Fitness, Inc.

## LIMITED WARRANTY

ICON Health & Fitness, Inc. (ICON), warrants this product to be free from defects in workmanship and material, under normal use and service conditions, for a period of ninety (90) days from the date of purchase. This warranty extends only to the original purchaser. ICON's obligation under this warranty is limited to replacing or repairing, at ICON's option, the product through one of its authorized service centers. All repairs for which warranty claims are made must be pre-authorized by ICON. This warranty does not extend to any product or damage to a product caused by or attributable to freight damage, abuse, misuse, improper or abnormal usage or repairs not provided by an ICON authorized service center, products used for commercial or rental purposes, or products used as store display models. No other warranty beyond that specifically set forth above is authorized by ICON.

ICON is not responsible or liable for indirect, special or consequential damages arising out of or in connection with the use or performance of the product or damages with respect to any economic loss, loss of property, loss of revenues or profits, loss of enjoyment or use, costs of removal, installation or other consequential damages of whatsoever nature. Some states do not allow the exclusion or limitation of incidental or consequential damages. Accordingly, the above limitation may not apply to you.

The warranty extended hereunder is in lieu of any and all other warranties and any implied warranties of merchantability or fitness for a particular purpose is limited in its scope and duration to the terms set forth herein. Some states do not allow limitations on how long an implied warranty lasts. Accordingly, the above limitation may not apply to you.

This warranty gives you specific legal rights. You may also have other rights which vary from state to state.

**ICON HEALTH & FITNESS, INC., 1500 S. 1000 W., LOGAN, UT 84321-9813**

## Free Manuals Download Website

<http://myh66.com>

<http://usermanuals.us>

<http://www.somanuals.com>

<http://www.4manuals.cc>

<http://www.manual-lib.com>

<http://www.404manual.com>

<http://www.luxmanual.com>

<http://aubethermostatmanual.com>

Golf course search by state

<http://golfingnear.com>

Email search by domain

<http://emailbydomain.com>

Auto manuals search

<http://auto.somanuals.com>

TV manuals search

<http://tv.somanuals.com>