



# SOLAR SPOTLIGHT WITH LED BULBS

**Model 95388**

## ASSEMBLY AND OPERATION INSTRUCTIONS



Due to continuing improvements, actual product may differ slightly from the product described herein.



3491 Mission Oaks Blvd., Camarillo, CA 93011  
Visit our website at: <http://www.harborfreight.com>

**TO PREVENT SERIOUS INJURY, READ AND UNDERSTAND ALL WARNINGS AND INSTRUCTIONS BEFORE USE.**

Copyright© 2006 by Harbor Freight Tools®. All rights reserved. No portion of this manual or any artwork contained herein may be reproduced in any shape or form without the express written consent of Harbor Freight Tools.

**For technical questions or replacement parts, please call 1-800-444-3353.**

---

## SPECIFICATIONS

---

Material/Construction	High impact ABS housing, monocrystalline solar panel
Overall Dimensions	6-1/4" L X 3-5/16" W X 12-5/8" Thick
Power Source	(2) Ni-Cd "AA", 600 mAh, 1.2V rechargeable batteries
Run Time On Fully Charged Batteries	8-12 hours
Light Intensity	9000-12000 MCD
Solar Panel	4V/70 mA

You will need this manual for the safety warnings and precautions, assembly, operating, inspection, maintenance and cleaning procedures, parts list and assembly diagram. Keep your invoice with this manual. Write the invoice number on the inside of the front cover. Keep this manual and invoice in a safe and dry place for future reference.

---

## GENERAL SAFETY RULES

---

1. **Keep your work area clean and well lit.** Cluttered benches and dark areas invite accidents.
2. **Keep children away while assembling and working with the Solar Spotlight.** Do not let them handle the Solar Spotlight.
3. **Stay alert.** Watch what you are doing, and use common sense when operating the Spotlight. Do not assemble while tired or under the influence of drugs, alcohol, or medication. A moment of inattention while operating this tool may result in serious personal injury.
4. **Dress properly.** Protective, electrically nonskid footwear are recommended when working with the Solar Spotlight. Wear restrictive hair covering to contain long hair.
5. **Keep proper footing and balance at all times.** Proper footing and balance enables better control of the tool in unexpected situations.
6. **Store idle tools out of reach of children and other untrained persons.** Tools are dangerous in the hands of untrained users.
7. **Always wear ANSI-approved goggles when assembling and working with this product.**
8. **Always check hardware and assembled parts after assembling.** All connections should be tight and hardware tightened.
9. **Maintain products with care.** Keep the Solar Spotlights clean for better and safer performance. Inspect the Solar Spotlights periodically. If damaged, have it repaired by an qualified technician.
10. **Keep the Solar Panel free of dirt, dust and grime.** Dust covering the Solar Panel will block out sunlight causing a decrease or stoppage of efficiency in recharging the batteries.

11. **WARNING: NiCd batteries must be disposed of properly.** Do not incinerate. Batteries may burst, causing personal injury and/or property damage. Contact your local hazardous waste disposal authority for proper disposal.
12. People with pacemakers should consult their physician(s) before using this product. Electromagnetic fields in close proximity to a heart pacemaker could cause interference to or failure of the pacemaker.

---

## UNPACKING

---


When unpacking, check to make sure that the item is intact and undamaged. If any parts are missing or broken, please call Harbor Freight Tools at the number shown on the cover of this manual as soon as possible.

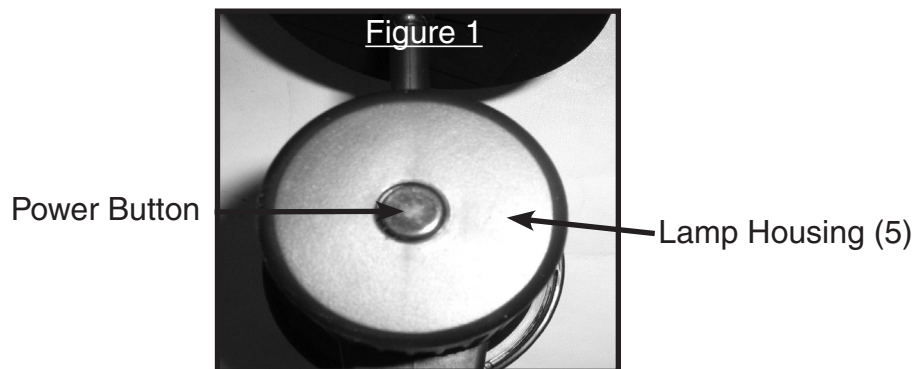
---

## ASSEMBLY AND OPERATING INSTRUCTIONS

---

**Note:** For additional information regarding the parts listed in the following pages, refer to the Assembly Diagram near the end of this manual.

1.  **WARNING!** Make sure the Power Button at the back of the Lamp Housing (5) is in its “OFF” position before making any adjustments to the Spotlight. See Figure 1.
2. Decide where you want to place the Solar Spotlight. Choose a location that receives full, direct sunlight a minimum of six hours a day. The location should not be near nighttime light sources such as porch lights or streetlights as this may trigger the lights to turn off or flicker.
3. The Solar Spotlight will need to charge for at least 6 hours before using it for the first time.
4. The light is powered by two “AA” batteries. For directions on how to replace the batteries, refer to the Replacing the Batteries section on the following page.



5. Press the Power Button to the “On” position-see Figure 1.
6. Pressing the Power Button will automatically turn on the Solar Spotlight during the night. After the initial charge is set, check to see that the LED Lights (2) are on by viewing the light at night or in a dark location.

**Note:** During the day, the Solar Panel converts sunlight into electricity, recharging the batteries. The amount of light the Solar Panel receives depends on placement of the Solar Spotlight, geographic location and weather. If the weather is cloudy and the panel did not receive a full charge, the Solar Spotlight may not achieve the full hours of operating time. It will catch up on its own after two to three days of full sun.

### **Inserting the Ground Stake (11):**

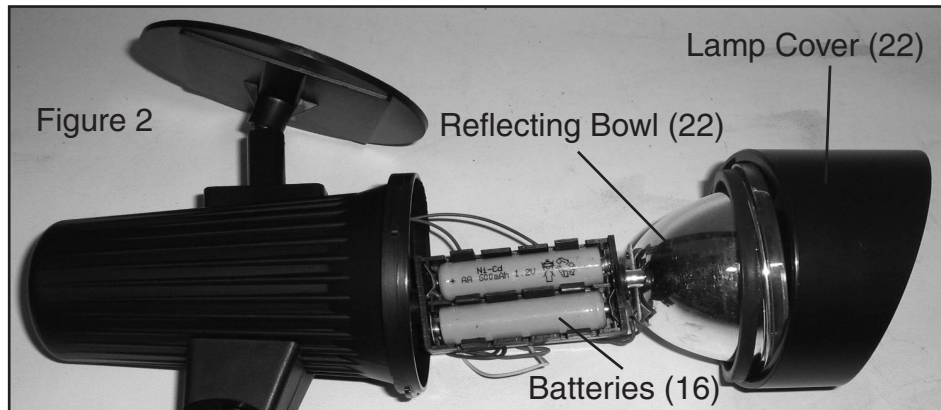
1. Insert the Connecting Shaft Screw (7) into the hole on the Connecting Shaft (6). Slide the Connecting Shaft 2 (9) onto the Shaft Screw (7) so that Connecting Shaft (6) and Connecting Shaft 2 (9) are fitted together. Thread on Nut (10) to secure in place.
2. Insert Ground Stake (11) up into the Connecting Shaft 2 (9).
3. **Warning:** Before inserting the Solar Spotlight into the ground, make certain to choose an area where there are no underground pipes, cables or other obstructions. Make certain that the ground is soft enough to accept the Ground Stake (11). Gently insert the Ground Stake (11) into the ground making certain that it is in solid. Make certain that the Stake is completely inserted into the ground to assure full stability for the Solar Spotlight.
4. The Lamp Housing (5) rotates up and down to obtain the best lighting situation. The Solar Panel (1) pivots on a ball and can be set to a number of different angles to obtain the best angle for solar power.

---

## **REPLACING THE BATTERIES**

---

1. It is recommended that you replace the batteries every 12 months. Before performing any maintenance on the Spotlight, make certain that the Power Button is in the OFF position.
2. To access the batteries, twist the Lamp Cover (22) and remove it from the Lamp Housing (5). Then remove the Transparent Cover (21) and Reflecting Bowl (20) from the Housing (5). The Battery Housing (17) and Batteries (16) are attached to the Reflecting Bowl (20). See Figure 2, next page.
3. Remove the old Batteries (16). Make certain that the new batteries are "AA", Ni-Cd rechargeable. Install the new batteries into the Battery Housing (17). Make certain that the batteries are placed according to the correct polarity. Insert the Battery Housing (17) and Reflecting Bowl (20) back into the Lamp Housing (5). Place the Transparent Cover (21) back over the Reflecting Bowl (20) and screw the Lamp Cover (22) back over the Lamp Housing (5).




---

## MAINTENANCE

---

1. Clean regularly with a damp towel. Do not use any type of solvent for cleaning. Do not put too much pressure on the light or components while cleaning. Dry thoroughly.

---

## PARTS LIST

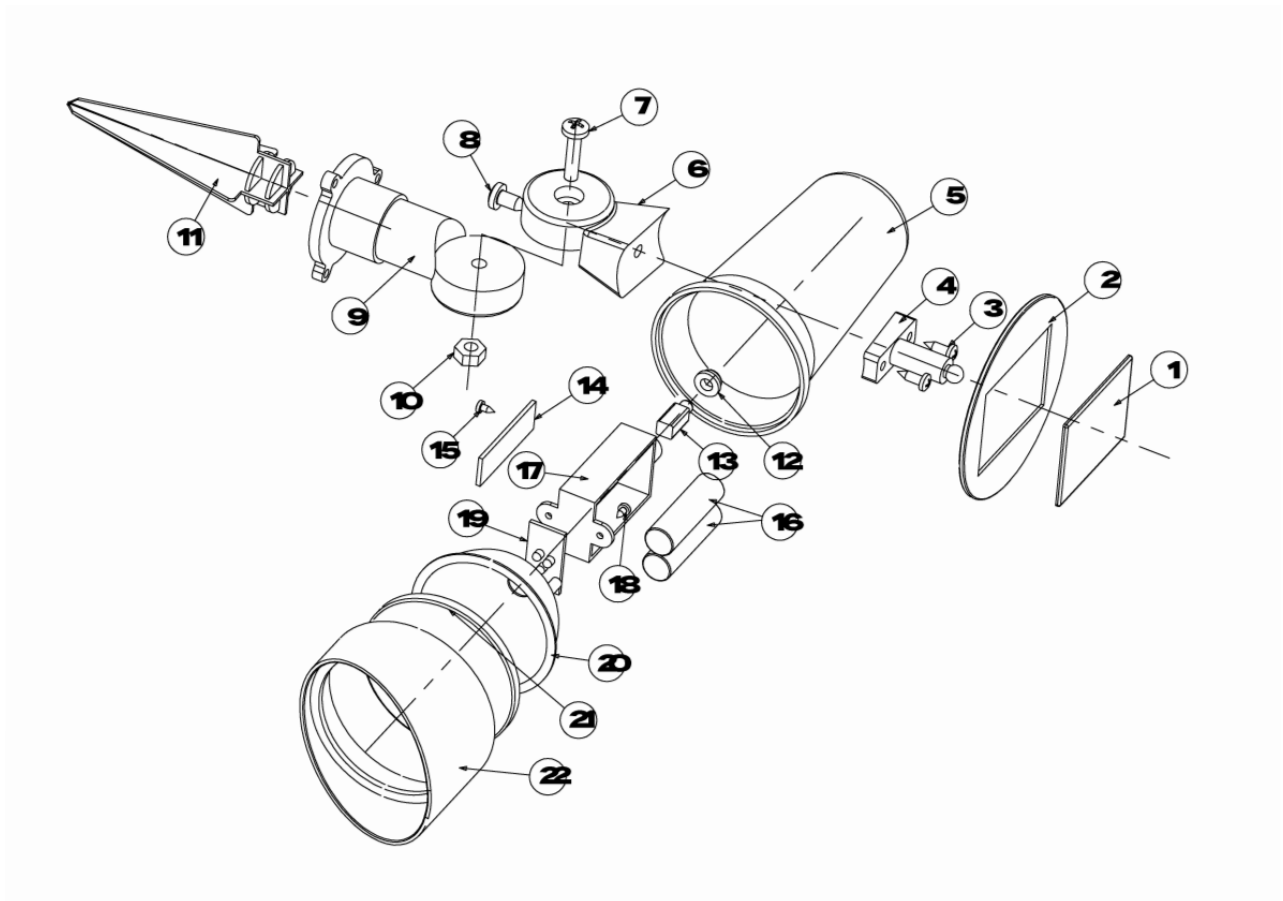
---

Part	Description	Q'ty	Part	Description	Q'ty
1	Solar Panel	1	12	Button Cover	1
2	Solar Panel Frame	1	13	Power Button	1
3	Screw 1	2	14	Circuit Board	1
4	Rotation Bracket	2	15	Circuit Board Screw	1
5	Lamp Housing	1	16	Batteries	2
6	Connecting Shaft 1	1	17	Battery Housing	1
7	Connecting Shaft Screw	1	18	Screw 3	1
8	Screw 2	1	19	LED	3
9	Connecting Shaft 2	1	20	Reflecting Bowl	1
10	Nut	1	21	Transparent Cover	1
11	Ground Stake	1	22	Lamp Cover	1

**PLEASE READ THE FOLLOWING CAREFULLY**

THE MANUFACTURER AND/OR DISTRIBUTOR HAS PROVIDED THE PARTS LIST AND ASSEMBLY DIAGRAM IN THIS MANUAL AS A REFERENCE TOOL ONLY. NEITHER THE MANUFACTURER OR DISTRIBUTOR MAKES ANY REPRESENTATION OR WARRANTY OF ANY KIND TO THE BUYER THAT HE OR SHE IS QUALIFIED TO MAKE ANY REPAIRS TO THE PRODUCT, OR THAT HE OR SHE IS QUALIFIED TO REPLACE ANY PARTS OF THE PRODUCT. IN FACT, THE MANUFACTURER AND/OR DISTRIBUTOR EXPRESSLY STATES THAT ALL REPAIRS AND PARTS REPLACEMENTS SHOULD BE UNDERTAKEN BY CERTIFIED AND LICENSED TECHNICIANS, AND NOT BY THE BUYER. THE BUYER ASSUMES ALL RISK AND LIABILITY ARISING OUT OF HIS OR HER REPAIRS TO THE ORIGINAL PRODUCT OR REPLACEMENT PARTS THERETO, OR ARISING OUT OF HIS

**ASSEMBLY DIAGRAM**



## Free Manuals Download Website

<http://myh66.com>

<http://usermanuals.us>

<http://www.somanuals.com>

<http://www.4manuals.cc>

<http://www.manual-lib.com>

<http://www.404manual.com>

<http://www.luxmanual.com>

<http://aubethermostatmanual.com>

Golf course search by state

<http://golfingnear.com>

Email search by domain

<http://emailbydomain.com>

Auto manuals search

<http://auto.somanuals.com>

TV manuals search

<http://tv.somanuals.com>