

# U.S. GENERAL<sup>®</sup>

## RECHARGEABLE 24 LED WORK LIGHT

### MODEL 95181

#### ASSEMBLY AND OPERATING INSTRUCTIONS



Due to continuing improvements; actual product may differ slightly from product described herein.



3491 Mission Oaks Blvd. Camarillo, CA 93011  
Visit our Web Site at <http://www.harborfreight.com>

Copyright© 2006 by Harbor Freight Tools®. All rights reserved. No portion of this manual or any artwork contained within may be reproduced in any shape or form without the express written consent of Harbor Freight Tools.

SKU 95181 For Technical questions, or replacement parts, please call 1-800-444-3353.

## FEATURES

- Super Bright LED Light that lasts up to 80,000 HRS.
- Retractable 360-Degree Nylon Swivel hook.
- High impact polycarbonate & ABS housing, extremely durable.
- High-Impact polycarbonate Lens.
- Easy access ON-OFF switch.
- Replaceable Battery pack.
- Includes UL Listed AC/DC Adapter and DC 12V Adaptor/Car plug.
- LED Charging Indicator/Battery Short Life Indicator.

## SPECIFICATIONS

- **Overall Dimensions:** 8-13/16"L X 2-3/4"W X 1-1/2"D
- **Net Weight:** 1.05 LBS.
- **Power Source:** Qty. 3, 3.6V, 1800 mAh Ni-MH Battery (Rechargeable)
- **Charging Time:** 7 - 8 Hours
- **Continuous Run Time:** 4.5 - 5.5 Hours
- **24 LED Light Bulbs:** 12,000 MCD - Super Bright
- **LED Indicator:** Red = Charging, Green = Charging complete
- **Fast Acting 2 AMP Fuse:** F2A25OV
- **AC adaptor:** Input: 120V, 120 ma/Output: 9V DC 300 ma

## SAVE THIS MANUAL

You will need this manual for the safety warnings and precautions, assembly, operating, inspection, maintenance and cleaning procedures, parts and assembly diagram. Keep your invoice with this manual. Write the invoice number on the inside of the front cover. Write the product's serial number in the back of the manual near the assembly diagram, or write the month and year of purchase if the product has no serial number. Keep this manual and invoice in a safe and dry place for future reference.

## **WARNINGS SPECIFIC TO THIS RECHARGEABLE WORK LIGHT**

1. Use only in dry locations. Keep Adapter plug and socket dry at all times.
2. Only use the two Adapters provided with this Rechargeable Work Light. Use of any other Adapter may damage this tool.
3. DO NOT look into or shine LED light into eyes of people or animals.
4. DO NOT submerge in water or any other liquid.
5. Keep away from children. Children are not aware of the damage improper use of this Rechargeable Work Light can cause if shined in either their own eyes or the eyes of another.
6. Always properly dispose of all used batteries.
7. Do not operate Work Light if under the influence of alcohol or drugs. Read warning labels on prescriptions to determine if your judgment or reflexes are impaired while taking drugs. If there is doubt, do not operate Work Light.
8. Do not operate the Work Light in explosive atmospheres, such as in the presence of flammable liquids, gases, or dust. Electrical products create sparks which may ignite the dust or fumes.
9. Always disconnect the Adaptor before making any adjustments or storing the Work Light.
10. Turn off Work Light before leaving the work area. Warning: Never charge this worklight by any other 12V car plug not supplied with this product.

**CAUTION: The warnings, precautions and instructions discussed in this instruction manual cannot cover all possible conditions and situations that may occur. It must be understood by the operator that common sense and general caution are factors that cannot be built into this product but must be supplied by the operator.**

## **UNPACKING**

When unpacking, lay out parts and take inventory against the parts list on page 5 to insure that all parts are included. If parts are missing or damaged, please call 1-800-444-3353 for assistance.

## **OPERATION**

**NOTE:** Before using Work Light for the first time, fully charge the Battery.

1. Use the Push Button, located below the lens for ON-OFF mode.
2. To suspend the light, pull out the Hanging Hook, located on the top of the Rechargeable Work Light. The Hanging Hook can rotate 360° in rotation for multiple positioning. If you are not using the Hanging Hook, simply push it into its down position. (Figure 1, next page)

SKU 95181 For technical questions, please call 1-800-444-3353. Page 2

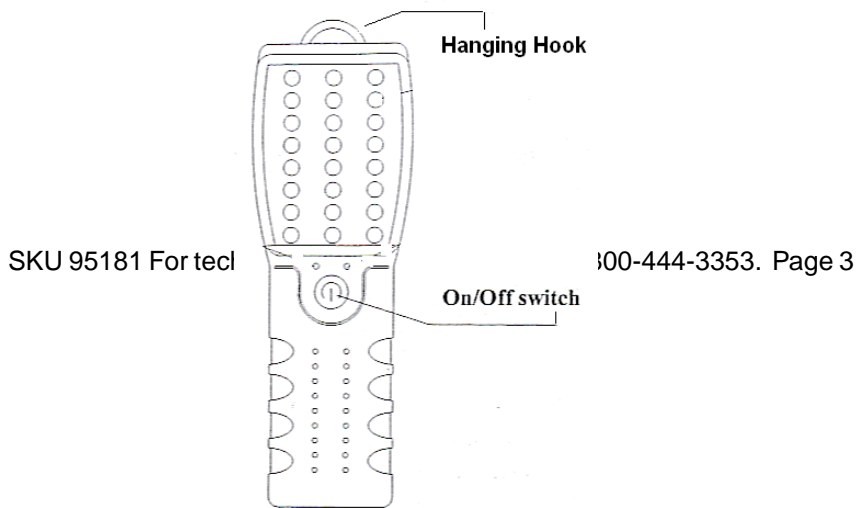
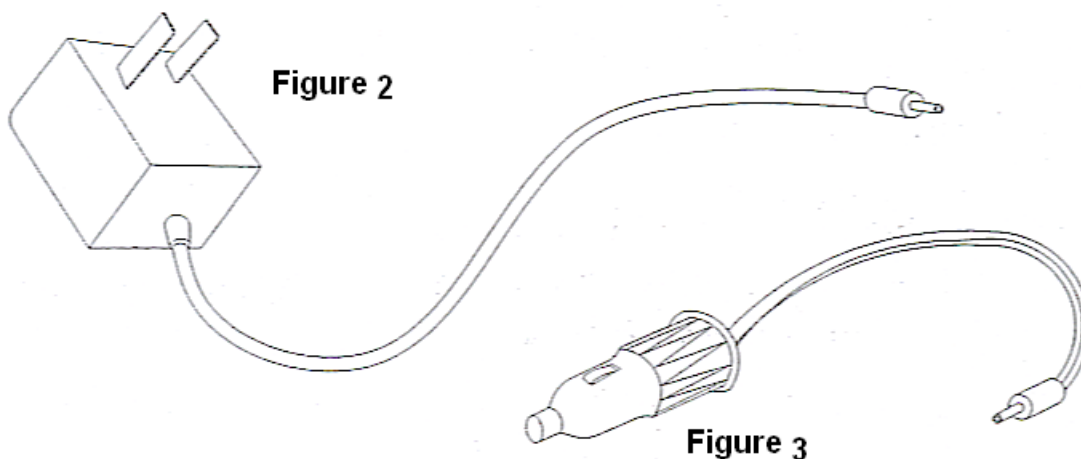


Figure 1

## CHARGING

1. Use the supplied AC/DC Adapter, see (Figure 2), or the DC Adapter with the Car Plug, see (Figure 3), for connecting the Rechargeable Work Light to the correct power source.
2. Plug the end of the correct Adapter into the Recharge Port (5).
3. The Charging Indicator (6) will turn from RED to GREEN as the Battery becomes fully charged.
4. The Charging time is 7 - 8 hours.



**WARNING: Do not leave the Battery in a discharged state. Charge the Battery once a month if the light is not in use. This will keep the Battery from wearing down and add to its life.**



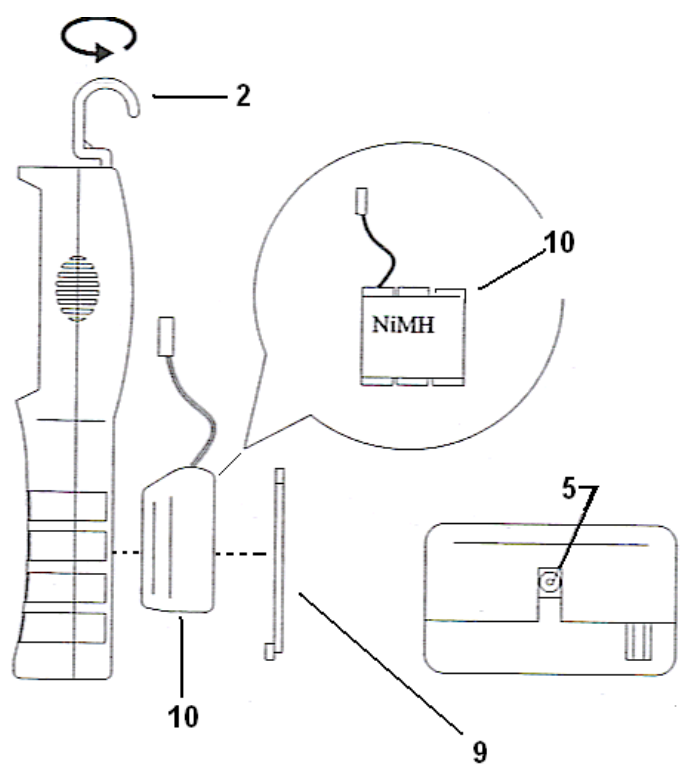
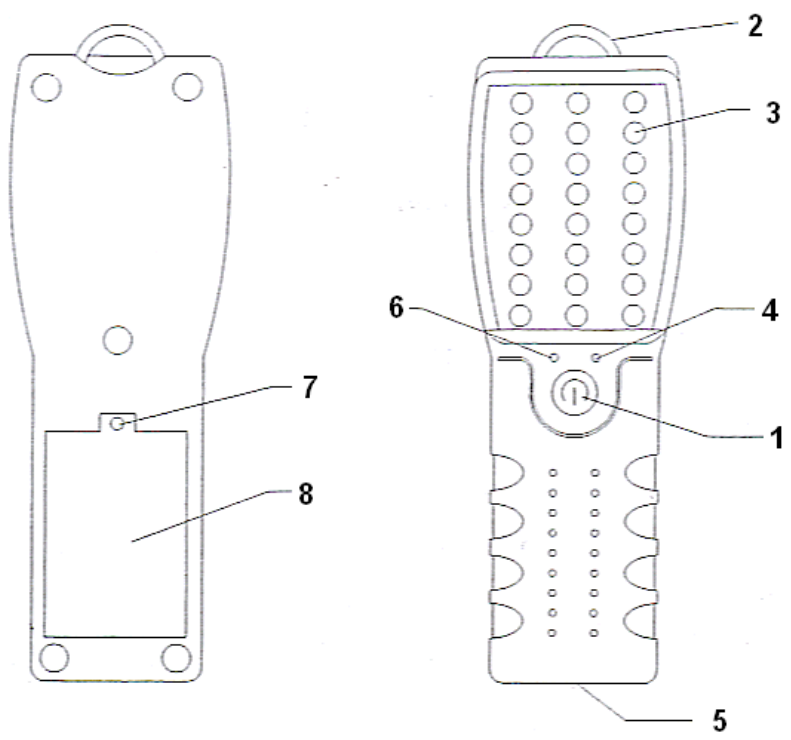
**NOTE:** The LED Lights in this Rechargeable Work Light are exceptionally long lasting, and are NOT replaceable.

## PARTS LIST

1. ON-OFF Button
2. Retractable Hanging Hook (Swivels 360°)
3. LEDs
4. Low Battery Indicator
5. Recharge Port
6. Charging Indicator
7. Screw for opening the Battery Compartment
8. Battery Compartment
9. Battery Compartment Cover
10. Battery

**NOTE: Some parts are listed for illustration purposes only, and are not available individually as replacement parts.**

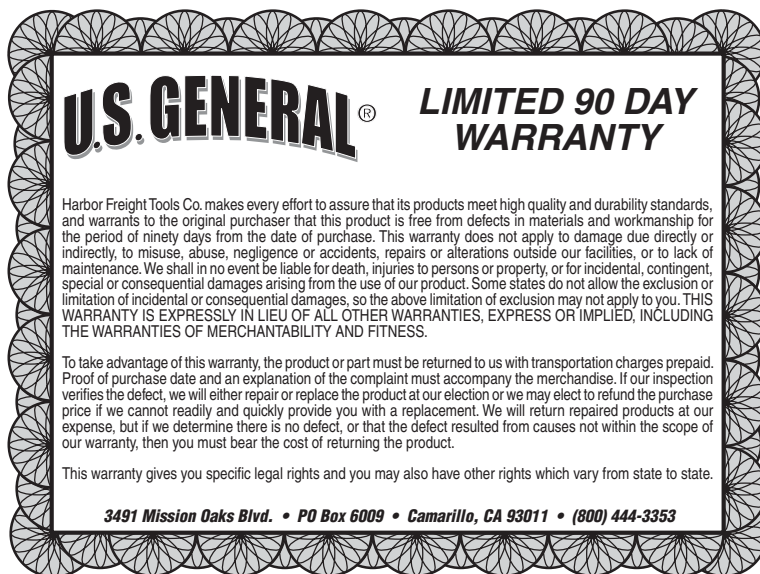
**PARTS DIAGRAM**



**ATTACH RECEIPT OR COPY OF RECEIPT TO THIS PAGE**

**Write Serial Number (if available) or Model Number and  
Purchase Date here \_\_\_\_\_, \_\_\_\_\_.**

**WARRANTY**



**SKU 95181 For technical questions, please call 1-800-444-3353. Page 7**

## Free Manuals Download Website

<http://myh66.com>

<http://usermanuals.us>

<http://www.somanuals.com>

<http://www.4manuals.cc>

<http://www.manual-lib.com>

<http://www.404manual.com>

<http://www.luxmanual.com>

<http://aubethermostatmanual.com>

Golf course search by state

<http://golfingnear.com>

Email search by domain

<http://emailbydomain.com>

Auto manuals search

<http://auto.somanuals.com>

TV manuals search

<http://tv.somanuals.com>