

# HAUL-MASTER



## SUBMERSIBLE TRAILER LIGHT KIT

**Model 94137**



3491 Mission Oaks Blvd., Camarillo, CA 93011

Visit our Web site at: <http://www.harborfreight.com>

**TO PREVENT SERIOUS INJURY, READ AND UNDERSTAND ALL WARNINGS AND INSTRUCTIONS.**

Copyright © 2006 by Harbor Freight Tools®. All rights reserved. No portion of this instruction sheet or any artwork contained herein may be reproduced in any shape or form without the express written consent of Harbor Freight Tools.

**For technical questions, please call 1-800-444-3353.**

### PRODUCT SPECIFICATIONS

Item	Description
Power Source	12 Volt DC / Negative Ground
Design Type	Submersible Design
Features	2 Combination, Class A, Stop-Tail-Turn Lights License Plate Bracket 25 Ft., Split Y-Style Harness 4 Ft., Color Coded Trunk Harness
Light Type	18 LED's Per Light (not serviceable)
DOT Approved	Yes
Weight	3 Pounds

### SAVE THIS INSTRUCTION SHEET

You will need this instruction sheet for the safety warnings and precautions, assembly instructions, parts list, and assembly diagram. Keep your invoice with this instruction sheet. Write the invoice number on the front of this instruction sheet. Keep this instruction sheet and invoice in a safe and dry place for future reference.

### UNPACKING

When unpacking, check to make sure all the parts shown on the Assembly Diagram are included. If any parts are missing or broken, please call Harbor Freight Tools at the number above as soon as possible.

### SAFETY WARNINGS AND PRECAUTIONS

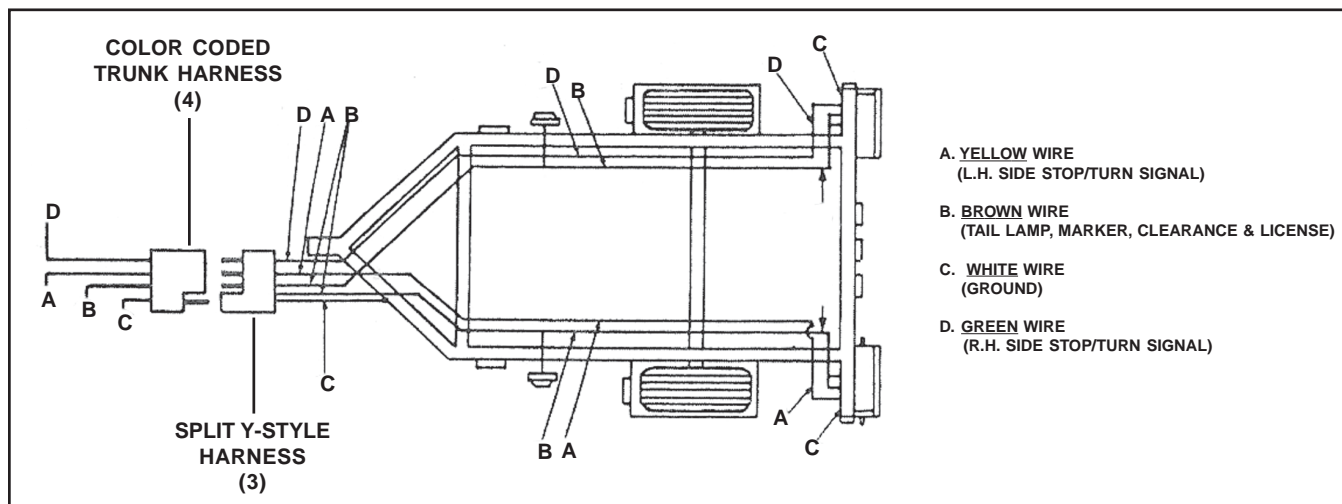
1. **Use eye protection.** Make sure to wear ANSI approved safety impact eye goggles when installing this Light Kit.
2. **Prior to installing this product, make sure to read and understand all instructions and safety precautions as outlined in the (trailer, camper, etc.) manufacturer's manual onto which the Light Kit will be installed.**

3. **Maintain the Light Kit.** Keep the Light Kit clean and dry for better and safer performance. Make sure harness and all wiring remains properly attached to the trailer. Make sure light covers are not cracked or damaged in any way; always replace them if damaged.
4. **If necessary, have a qualified service technician install the Light Kit.** Do not attempt to install this product yourself if you do not feel technically competent to do so.
5. **Use the right product for the job.** There are certain applications for which this product was designed. Do not use small equipment or attachments to do the work of larger industrial equipment or attachments. Do not use this product for a purpose for which it was not intended.
6. **If your trailer, camper, etc. is OVER 80" wide:** You will need to install three additional Red Marker Lights (not included) onto the rear of the unit in order to comply with DOT standards. To do so, mount the three Red Marker Lights to the rear of the unit, making sure the Lights are no less than 6" and no more than 12" from center of Light to center of Light. After the Lights are mounted, use wire nut connectors (not included) to connect all three leads together. Then connect to the Brown wire in the back of one Tail Light (either side) provided in this Kit.
7. **Replacement parts and accessories:** When servicing, use only identical replacement parts. Only use accessories intended for use with this product.
8. **⚠️WARNING!** People with pacemakers should consult their physician(s) before using this product. Operation of electrical equipment in close proximity to a heart pacemaker could cause interference to or failure of the pacemaker.
9. **⚠️WARNING!** The warnings and precautions discussed in this manual cannot cover all possible conditions and situations that may occur. It must be understood by the operator that common sense and caution are factors which cannot be built into this product, but must be supplied by the operator.

## ASSEMBLY INSTRUCTIONS

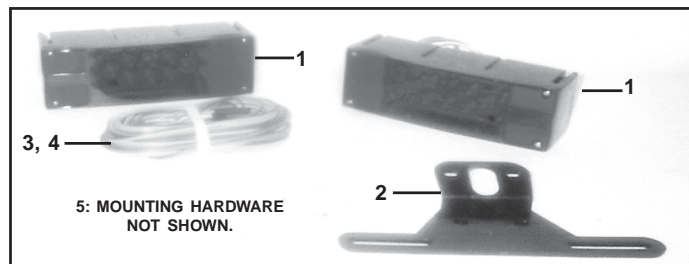
### Vehicle Connection:

1. Connect the BROWN (B) wire of the Color Coded Trunk Harness (4) to the towing vehicle's Tail Light wire. Connect the YELLOW (A) wire of the Color Coded Trunk Harness to the vehicle's Left Hand Stop & Turn light. Connect the GREEN (D) wire of the Color Coded Trunk Harness to the vehicle's Right Hand Stop & Turn light. Make sure to use the BLUE Wire Splitter Connectors to make these connections. **(See Illustration below)**
2. Attach the WHITE GROUND (C) wire to the towing vehicle's frame. **(See Assy. Diagram.)**
3. **NOTE:** If the towing vehicle has rear turn signals separated from its stop lights, you will need to install additional hardware.



## **Trailer Light Mounting And Connection:**

1. Mount the Stop-Tail-Turn Light (1), marked "L.H." (with the License Window), on the left rear of the trailer with its side marker to the outside of the trailer. Then, mount the License Plate Bracket (2) with the Stop-Tail-Turn Light. **(See Illustration on previous page)**
2. Mount the Stop-Tail-Turn Light (1), marked "R.H." (without the License Window), on the right rear of the trailer with its side marker to the outside of the trailer. **(See Assy. Diagram)**
3. Use the Metal Frame Clips included in the Mounting Hardware Package (5) to mount each half of the Split Y-Style Harness (3) down each side of the trailer. Run the YELLOW and BROWN wires down the left side and GREEN and BROWN wires down the right side of the trailer. **(See Assy. Diagram)**
4. Connect the YELLOW and BROWN wires to the left hand Stop-Tail-turn Light (1) with the Wire Nut Connectors included in the Mounting Hardware Package (5). **(See Assy. Diagram)**
5. Connect the GREEN and BROWN wires to the right hand Stop-Tail-turn Light (1) with the Wire Nut Connectors included in the Mounting Hardware Package (5). **(See Assy. Diagram)**
6. Attach the WHITE GROUND wire to the trailer tongue or frame. **(See Assy. Diagram)**
7. Connect the Split Y-Style Harness (3) Plug to the Color Coded Trunk Harness (4) Plug. **(See Assy. Diagram)**
8. Turn on the towing vehicle's headlights. The two Stop-Turn-Tail Lights (1) should turn on. The brighter Stop Lights should turn on only when the vehicle's brake pedal is depressed, or when the vehicle's turn signal is activated (ignition key must be in its "on" position).
9. If the Light Kit fails to illuminate, check all ground connections. If the turn signals on the Light Kit do not illuminate, check the connections between the towing vehicle's wiring and the Color Coded Trunk Harness (4). **(See Assy. Diagram.)**



(Due to continuing improvements, actual product may differ slightly from the product described herein.)

Part #	Description	Qty.	Part #	Description	Qty.
1	Stop-Tail-Turn Light	2	4	Color Coded Trunk Harness	1
2	License Plate Bracket	1	5	Mounting Hardware (1 package)	1
3	Split Y-Style Harness	1			

**NOTE: Some parts are listed and shown for illustration purposes only, and are not available individually as replacement parts.**

**PLEASE READ THE FOLLOWING CAREFULLY**

THE MANUFACTURER AND/OR DISTRIBUTOR HAS PROVIDED THE PARTS LIST AND ASSEMBLY DIAGRAM IN THIS MANUAL AS A REFERENCE TOOL ONLY. NEITHER THE MANUFACTURER OR DISTRIBUTOR MAKES ANY REPRESENTATION OR WARRANTY OF ANY KIND TO THE BUYER THAT HE OR SHE IS QUALIFIED TO REPLACE ANY PARTS OF THE PRODUCT. IN FACT, THE MANUFACTURER AND/OR DISTRIBUTOR EXPRESSLY STATES THAT ALL REPAIRS AND PARTS REPLACEMENTS SHOULD BE UNDERTAKEN BY CERTIFIED AND LICENSED TECHNICIANS, AND NOT BY THE BUYER. THE BUYER ASSUMES ALL RISKS AND LIABILITY ARISING OUT OF HIS OR HER REPAIRS TO THE ORIGINAL PRODUCT OR REPLACEMENT PARTS THERETO, OR ARISING OUT OF HIS OR HER INSTALLATION OF REPLACEMENT PARTS THERETO.

## Free Manuals Download Website

<http://myh66.com>

<http://usermanuals.us>

<http://www.somanuals.com>

<http://www.4manuals.cc>

<http://www.manual-lib.com>

<http://www.404manual.com>

<http://www.luxmanual.com>

<http://aubethermostatmanual.com>

Golf course search by state

<http://golfingnear.com>

Email search by domain

<http://emailbydomain.com>

Auto manuals search

<http://auto.somanuals.com>

TV manuals search

<http://tv.somanuals.com>