

CHICAGO

Electric Power Tools

CORD REEL WORK LIGHT (30 FOOT, FLUORESCENT)

Model 92156

ASSEMBLY AND OPERATING INSTRUCTIONS



**TO PREVENT SERIOUS INJURY,
READ AND UNDERSTAND ALL WARNINGS
AND INSTRUCTIONS BEFORE USE.**

3491 Mission Oaks Blvd., Camarillo, CA 93011

Visit our Web site at: <http://www.harborfreight.com>

Copyright © 2004 by Harbor Freight Tools®. All rights reserved. No portion of this manual or any artwork contained herein may be reproduced in any shape or form without the express written consent of Harbor Freight Tools.

For technical questions and replacement parts, please call 1-800-444-3353.

PRODUCT SPECIFICATIONS

Cord Length	30 Feet (16 Ga.)
Maximum Bulb Wattage	13 Watts
Outlet Capacity	5 A/125 VAC
Weight	7.3 Lbs.
Features: 4' Pigtail with overload protection, 13 Watt Fluorescent Bulb, 3- Prong Socket in Handle,	



**GENERAL USE CORD REEL ONLY
FOR USE IN INDOOR DRY LOCATIONS ONLY**

SAVE THIS MANUAL

You will need this manual for the safety warnings and precautions, assembly, operating, inspection, maintenance and cleaning procedures, parts list and assembly diagram. Keep your invoice with this manual. Write the invoice number on the inside of the front cover. Keep this manual and invoice in a safe and dry place for future reference.

GENERAL SAFETY RULES

 **WARNING!**

READ AND UNDERSTAND ALL INSTRUCTIONS
Failure to follow all instructions listed below may result in
electric shock, fire, and/or serious injury.
SAVE THESE INSTRUCTIONS

WORK AREA

1. **Keep your work area clean and well lit.** Cluttered benches and dark areas invite accidents.
2. **Do not operate power tools in explosive atmospheres, such as in the presence of flammable liquids, gases, or dust.** Power tools create sparks which may ignite the dust or fumes.
3. **Keep bystanders, children, and visitors away while operating a power tool.** Distractions can cause you to lose control.

ELECTRICAL SAFETY

4. **Grounded tools must be plugged into an outlet properly installed and grounded in accordance with all codes and ordinances. Never remove the grounding prong or modify the plug in any way. Do not use any adapter plugs. Check with a qualified electrician if you are in doubt as to whether the outlet is properly grounded.** If the tools should electrically malfunction or break down, grounding provides a low resistance path to carry electricity away from the user.
5. **Double insulated tools are equipped with a polarized plug (one blade is wider than the other). This plug will fit in a polarized outlet only one way. If the plug does not fit fully in the outlet, reverse the plug. If it still does not fit, contact a qualified electrician to install a polarized outlet. Do not change the plug in any way.** Double insulation eliminates the need for the three wire grounded power cord and grounded power supply system.
6. **Avoid body contact with grounded surfaces such as pipes, radiators, ranges, and refrigerators.** There is an increased risk of electric shock if your body is grounded.
7. **Do not expose power tools to rain or wet conditions.** Water entering a power tool will increase the risk of electric shock.
8. **Do not abuse the Power Cord. Never use the Power Cord to carry the tools or pull the Plug from an outlet. Keep the Power Cord away from heat, oil, sharp edges, or moving parts. Replace damaged Power Cords immediately.** Damaged Power Cords increase the risk of electric shock.
9. **When operating a power tool outside, use an outdoor extension cord marked “W-A” or “W”.** These extension cords are rated for outdoor use, and reduce the risk of electric shock.

PERSONAL SAFETY

10. **Stay alert. Watch what you are doing, and use common sense when operating a power tool. Do not use a power tool while tired or under the influence of drugs, alcohol, or medication.** A moment of inattention while operating power tools may result in serious personal injury.
11. **Dress properly. Do not wear loose clothing or jewelry. Contain long hair. Keep your hair, clothing, and gloves away from moving parts.**

12. **Avoid accidental starting. Be sure the Power Switch is off before plugging in.** Carrying power tools with your finger on the Power Switch, or plugging in power tools with the Power Switch on, invites accidents.
13. **Do not overreach. Keep proper footing and balance at all times.** Proper footing and balance enables better control of the power tool in unexpected situations.
14. **Use safety equipment. Always wear eye protection.** Dust mask, nonskid safety shoes, hard hat, or hearing protection must be used for appropriate conditions.

REEL USE AND CARE

15. **Use the correct cord for your application.** The correct cord will do the job better and safer at the rate for which it is designed. **NEVER exceed the maximum amperage (5 A), or voltage (125 VAC) from the receptacle.**
16. **Do not use the power lamp if the Power Switch does not turn it on or off.** Any product that cannot be controlled with the Power Switch is dangerous and must be replaced.
17. **Disconnect the Power Cord Plug from the power source before making any adjustments, changing accessories, or installing this cord reel.**
18. **Store idle tools out of reach of children and other untrained persons.** Tools are dangerous in the hands of untrained users.
19. **Maintain tools with care.** Do not use a damaged product. Tag damaged products "Do not use" until repaired.
20. **Before use, check for misalignment or binding of moving parts, breakage of parts, insecure mounting, and any other condition that may affect the reel's operation. If damaged, have the reel serviced before using.** Many accidents are caused by poorly maintained products.
21. **Use only accessories that are recommended by the manufacturer for your model.** Accessories that may be suitable for one tool may become hazardous when used on another tool.

SERVICE

22. **Reel service must be performed only by qualified repair personnel.** Service or maintenance performed by unqualified personnel could result in a risk of injury.

23. **When servicing a reel, use only identical replacement parts. Follow instructions in the “*Inspection, Maintenance, And Cleaning*” section of this manual.** Use of unauthorized parts or failure to follow maintenance instructions may create a risk of electric shock or injury.

SPECIFIC SAFETY RULES

1. **Maintain labels and nameplates on the Cord Reel Work Light.** These carry important information. If unreadable or missing, contact Harbor Freight Tools for a replacement.
2. **Always wear ANSI approved safety impact eye goggles when installing the Cord Reel Work Light.** Using personal safety devices reduce the risk for injury. Safety impact eye goggles are available from Harbor Freight Tools.
3. **Risk of fire.** Never install a bulb that uses more than 13 watts or install a different type of bulb.
4. **Keep the Cord Reel Work Light dry.** Never immerse the light or Cord Reel in liquid.
5. **Always unplug the Cord Reel from its electrical outlet and allow it to cool completely before performing any inspection, maintenance, or cleaning procedures.**
6. **The Cord Reel must be properly installed before connecting to the power supply.**
7. **Check for frayed or broken wires before each use.**
8. **When pulling cord from the Cord Reel, always grasp the cord itself, and not the device or tool the cord is plugged into.**
9. **If mounted in an area that is not readily accessible, only connect this Cord Reel to a switch-controlled outlet; then, if a malfunction occurs, the Reel can be disconnected immediately.**

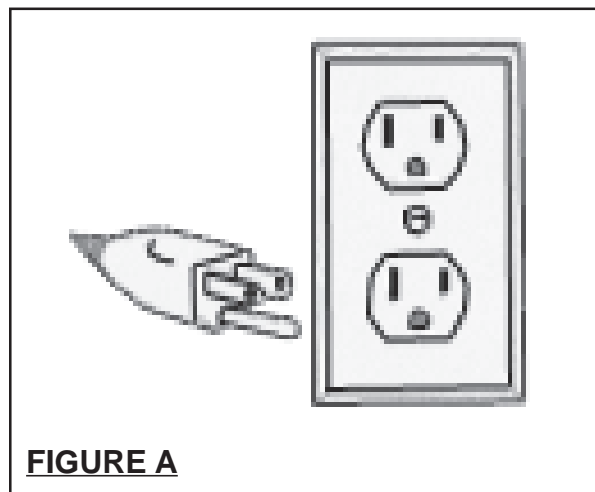
GROUNDING

WARNING!

Improperly connecting the grounding wire can result in the risk of electric shock. Check with a qualified electrician if you are in doubt as to whether the outlet is properly grounded. Do not modify the power cord plug provided with the tool. Never remove the grounding prong from the plug. Do not use the tool if the power cord or plug is damaged. If damaged, have it repaired by a service facility before use. If the plug will not fit the outlet, have a proper outlet installed by a qualified electrician.

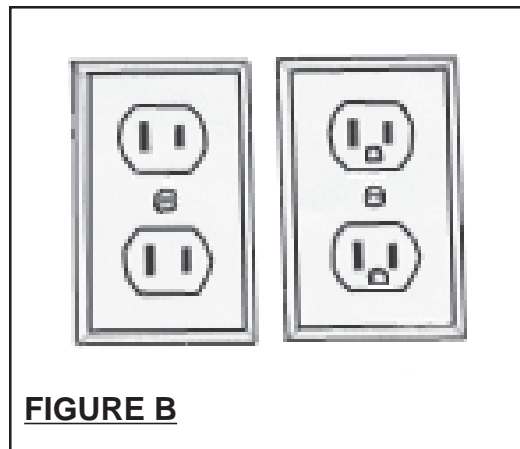
GROUNDING TOOLS: TOOLS WITH THREE PRONG PLUGS

1. Tools marked with “Grounding Required” have a three wire cord and three prong grounding plug. The plug must be connected to a properly grounded outlet. If the tool should electrically malfunction or break down, grounding provides a low resistance path to carry electricity away from the user, reducing the risk of electric shock. **(See Figure A.)**
2. The grounding prong in the plug is connected through the green wire inside the cord to the grounding system in the tool. The green wire in the cord must be the only wire connected to the tool’s grounding system and must never be attached to an electrically “live” terminal. **(See Figure A.)**
3. Your tool must be plugged into an appropriate outlet, properly installed and grounded in accordance with all codes and ordinances. The plug and outlet should look like those in the following illustration. **(See Figure A.)**



DOUBLE INSULATED TOOLS: TOOLS WITH TWO PRONG PLUGS

4. Tools marked "Double Insulated" do not require grounding. They have a special double insulation system which satisfies OSHA requirements and complies with the applicable standards of Underwriters Laboratories, Inc., the Canadian Standard Association, and the National Electrical Code. **(See Figure B.)**
5. Double insulated tools may be used in either of the 120 volt outlets shown in the following illustration. **(See Figure B.)**



EXTENSION CORDS




1. **Grounded** tools require a three wire extension cord. **Double Insulated** tools can use either a two or three wire extension cord.
2. As the distance from the supply outlet increases, you must use a heavier gauge extension cord. Using extension cords with inadequately sized wire causes a serious drop in voltage, resulting in loss of power and possible tool damage. **(See Figure C, next page.)**
3. The smaller the gauge number of the wire, the greater the capacity of the cord. For example, a 14 gauge cord can carry a higher current than a 16 gauge cord. **(See Figure C.)**
4. When using more than one extension cord to make up the total length, make sure each cord contains at least the minimum wire size required. **(See Figure C.)**
5. If you are using one extension cord for more than one tool, add the nameplate amperes and use the sum to determine the required minimum cord size. **(See Figure C.)**

6. If you are using an extension cord outdoors, make sure it is marked with the suffix "W-A" ("W" in Canada) to indicate it is acceptable for outdoor use.
7. Make sure your extension cord is properly wired and in good electrical condition. Always replace a damaged extension cord or have it repaired by a qualified electrician before using it.
8. Protect your extension cords from sharp objects, excessive heat, and damp or wet areas.

RECOMMENDED MINIMUM WIRE GAUGE FOR EXTENSION CORDS* (120 VOLT)					
NAMEPLATE AMPERES (At Full Load)	EXTENSION CORD LENGTH				
	25 FEET	50 FEET	75 FEET	100 FEET	150 FEET
0 - 2.0	18	18	16	16	16
2.1 - 3.4	18	18	16	14	14
3.5 - 5.0	18	18	16	14	12
5.1 - 7.0	18	16	14	12	12
7.1 - 12.0	16	14	12	10	-
12.1 - 16.0	14	12	10	-	-
16.1 - 20.0	12	10	-	-	-

FIGURE C *Based on limiting the line voltage drop to five volts at 150% of the rated amperes.

SYMBOLOLOGY

	Double Insulated
	Canadian Standards Association
	Underwriters Laboratories, Inc.
V ~	Volts Alternating Current
A	Amperes
n_oxxxx/min.	No Load Revolutions per Minute (RPM)

UNPACKING

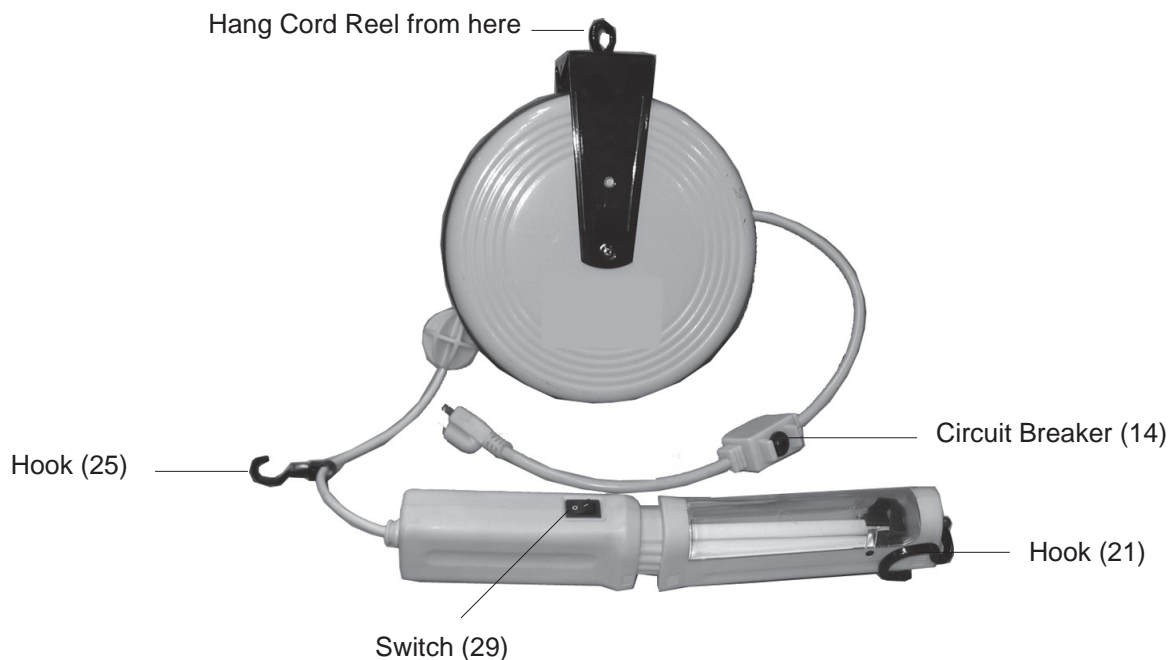
When unpacking, check to make sure all the parts shown on the **Parts List on page 12** are included. If any parts are missing or broken, please call Harbor Freight Tools at the number shown on the cover of this manual as soon as possible.

OPERATING INSTRUCTIONS

NOTE: For additional information regarding the parts listed in the following pages, refer to the **Assembly Diagram on page 13**.

1. **CAUTION:** Always make sure the Power Cord of the Cord Reel Work Light is unplugged from its electrical outlet *prior* to making any adjustments to the tool.
2. When deciding where to hang your Cord Reel Work Light, make sure the Plug to the AC outlet will reach a power outlet. Make sure the hook you are hanging the Cord Reel Work Light from is secured in a stud or rafter that is capable of holding the full weight of the Cord Reel Work Light, and the stress associated with pulling out and retracting the Cord. See **FIGURE 1**.

FIGURE 1

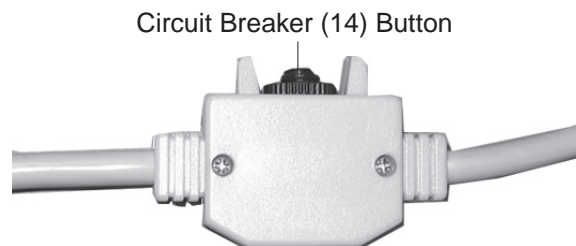


OPERATING INSTRUCTIONS

3. Hang the Cord Reel Work Light and plug it in to an outlet.
4. Pull on the Cord until it reaches the desired length and then let it slightly retract until it locks into place.
5. You may slide the Hook (25) along the Cord to hang the Cord, keeping it out of the way. Also, you may use the Hook (21) to hang the Cord Reel Work Light, allowing for hands free operation. See **FIGURE 1**.
6. To turn on the light, press the Switch (29) to the "I" position (see FIGURE 1). To turn it off, press the Switch (29) to the "O" position. **When you use the Built-in Socket (23), make sure that the tool or appliance is rated below the Cord's 5 Amp, 625 Watt rating.**


Note: If the tool stops for no apparent reason, disconnect any tool from the outlet, and briefly press the Circuit Breaker Button. The tool attached may have exceeded the capacity of the reel. If the power to the tool keeps cutting out, have the reel inspected and repaired by a qualified technician before further use. **NEVER hold down or disable the Circuit Breaker button; doing so may cause a fire.** See **FIGURES 1 and 2**.

FIGURE 2



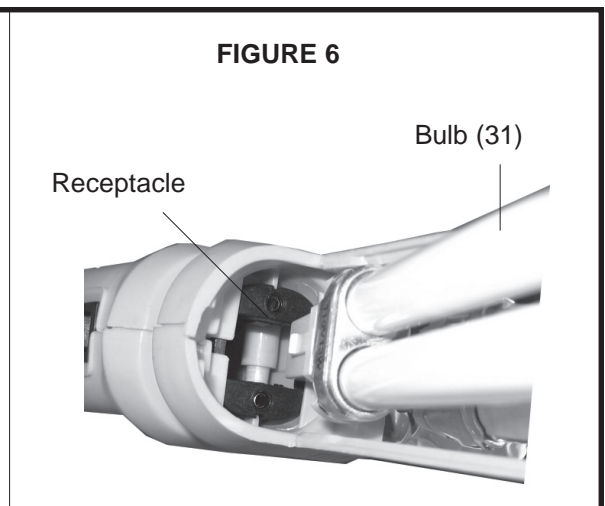
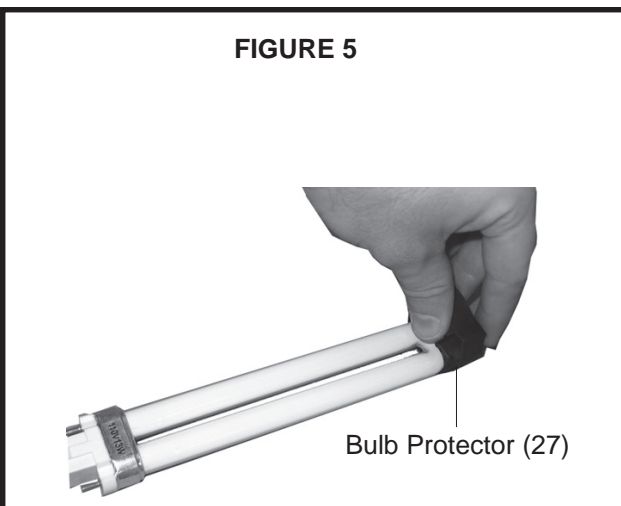
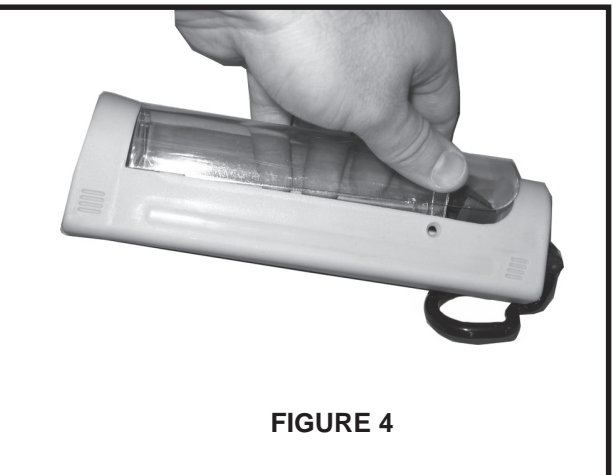
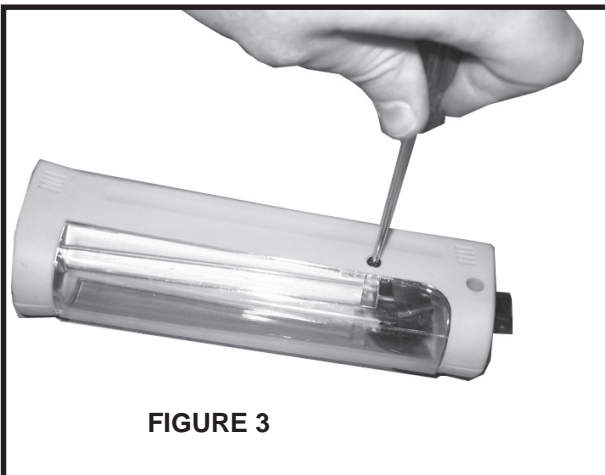
7. To return the Cord to the Cord Reel, pull forward and release, allowing the Cord to slowly retract back into the unit.

INSPECTION, MAINTENANCE, AND CLEANING

1.  **WARNING!** Make sure the Power Switch of the Cord Reel Light is in its "OFF" position and that the tool is unplugged from its electrical outlet before performing any inspection, maintenance, or cleaning procedures.
2. **BEFORE EACH USE**, inspect the general condition of the Cord Reel Light. Check for loose screws, misalignment or binding of moving parts, cracked or broken parts, damaged electrical wiring, and any other condition that may affect its safe operation. If abnormal noise or vibration occurs, have the problem corrected before further use. **Do not use damaged equipment.**
3. Wipe down the unit with a lint free cloth.

INSPECTION, MAINTENANCE, AND CLEANING (cont'd)

4. Check the Cord for frays, tears, or cracks. Have the Cord replaced by an authorized technician if necessary.
5. **To change the Bulb (31):**
 - Remove the Clear Cover (15) by removing the Screws (16) and gently pulling it off. See **FIGURES 3** and **4**.
 - Remove the Bulb Protector (27) from the old Bulb. Gently fit the Bulb Protector (27) over the new Bulb (31). See **FIGURE 5**.
 - Gently snap the new Bulb (31) into the receptacle. See **FIGURE 6**.
 - Replace the Clear Cover (15) and the Screws (16).



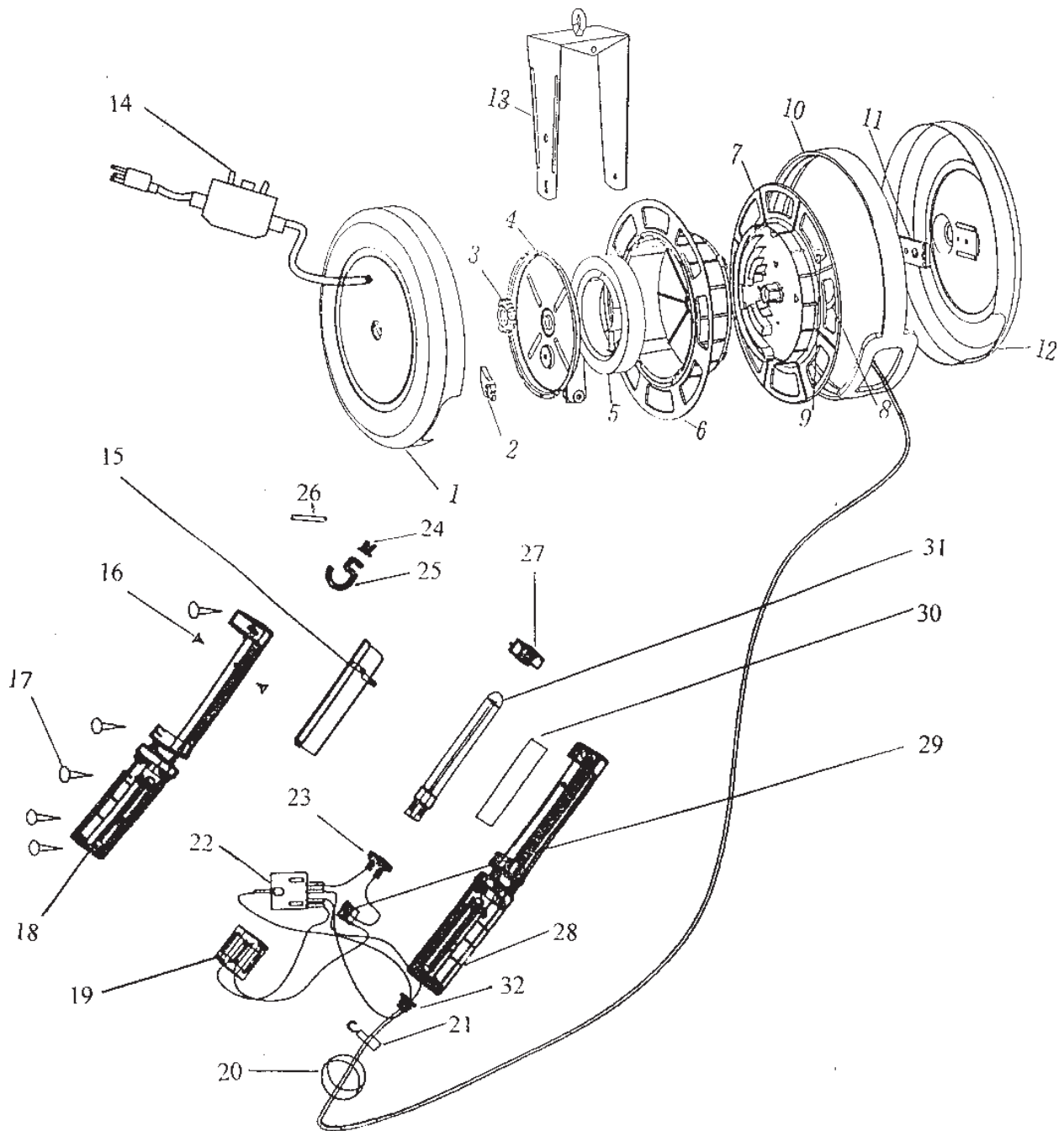
PARTS LIST

Part	Description
1	Left Cover
2	Ratchet Pawl
3	Gear
4	Plate
5	Spring
6	Drum
7	Drum
8	Positive Plate
9	Negative Plate
10	Loop
11	Bracket
12	Right Cover
13	Bracket
14	Circuit Breaker
15	Clear Cover
16	Screw (2 Qty.)
17	Screw (5 Qty.)
18	Left Housing
19	Lamp Ballast
20	Stop Ball
21	Hook
22	Socket
23	Built-in Socket
24	Hook Connector
25	Hook
26	Rod
27	Bulb Protector
28	Right Housing
29	Switch
30	Reflector
31	Bulb (110V, 13 Watt)
32	Cord Clamp

PLEASE READ THE FOLLOWING CAREFULLY

THE MANUFACTURER AND/OR DISTRIBUTOR HAS PROVIDED THE PARTS LIST AND ASSEMBLY DIAGRAM IN THIS MANUAL AS A REFERENCE TOOL ONLY. NEITHER THE MANUFACTURER OR DISTRIBUTOR MAKES ANY REPRESENTATION OR WARRANTY OF ANY KIND TO THE BUYER THAT HE OR SHE IS QUALIFIED TO MAKE ANY REPAIRS TO THE PRODUCT, OR THAT HE OR SHE IS QUALIFIED TO REPLACE ANY PARTS OF THE PRODUCT. IN FACT, THE MANUFACTURER AND/OR DISTRIBUTOR EXPRESSLY STATES THAT ALL REPAIRS AND PARTS REPLACEMENTS SHOULD BE UNDERTAKEN BY CERTIFIED AND LICENSED TECHNICIANS, AND NOT BY THE BUYER. THE BUYER ASSUMES ALL RISK AND LIABILITY ARISING OUT OF HIS OR HER REPAIRS TO THE ORIGINAL PRODUCT OR REPLACEMENT PARTS THERETO, OR ARISING OUT OF HIS OR HER INSTALLATION OF REPLACEMENT PARTS THERETO.

ASSEMBLY DIAGRAM



NOTE: Some parts are listed and shown for illustration purposes only, and are not available individually as replacement parts.

SKU 92156 For technical questions, please call 1-800-444-3353.

Page 13

Free Manuals Download Website

<http://myh66.com>

<http://usermanuals.us>

<http://www.somanuals.com>

<http://www.4manuals.cc>

<http://www.manual-lib.com>

<http://www.404manual.com>

<http://www.luxmanual.com>

<http://aubethermostatmanual.com>

Golf course search by state

<http://golfingnear.com>

Email search by domain

<http://emailbydomain.com>

Auto manuals search

<http://auto.somanuals.com>

TV manuals search

<http://tv.somanuals.com>