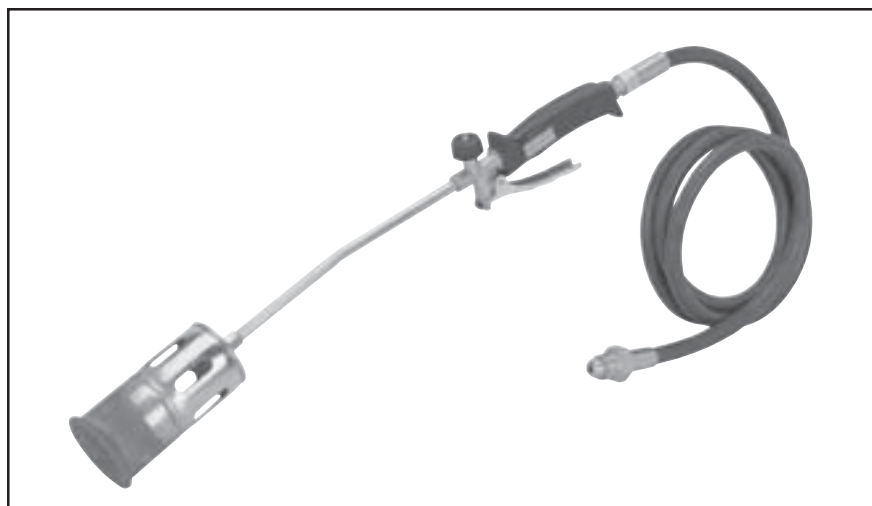


# PROPANE TORCH

**MODEL 91033**

## ASSEMBLY AND OPERATING INSTRUCTIONS



3491 Mission Oaks Blvd., Camarillo, CA 93011  
Visit our Web site at <http://www.harborfreight.com>

Copyright ©2003 by Harbor Freight Tools®. All rights reserved. No portion of this manual or any artwork contained herein may be reproduced in any shape or form without the express written consent of Harbor Freight Tools.

**For technical questions, please call 1-800-444-3353.**

## PRODUCT SPECIFICATIONS

Item	Description
Product Compatibility	Designed for Use with Standard 20 Lbs., Barbeque L.P. (Propane) Tanks
Overall Length	23" without Hose
Wand Length	21-1/2"
Maximum BTU's	500,000
Maximum Flame Temperature	3,500 Degrees
Hose Length	6 Ft. 6"
Hose Fittings	14 T.P.I. x .089" Diameter Handle Fitting 1/2" O.D., L.H. Threaded Male Propane Tank Connection
Hose Working P.S.I.	350 Lbs
Hose Burst P.S.I.	525 Lbs
Weight	3.45 Lbs
Accessories	17 MM Open End Wrench (Qty. 1) 19 MM Open End Wrench (Qty. 1)

**General Application De-Icing, Removing Paint (only from Non-Flammable surfaces).  
Removing Weeds (only in a controlled, safe environment, Softening Asphalt for removal or patching. Always have a fire extinguisher present.**

## SAVE THIS MANUAL

**You will need this manual for the safety warnings and precautions, assembly, operating, inspection, maintenance and cleaning procedures, parts list and assembly diagram. Keep your invoice with this manual. Write the invoice number on the inside of the front cover. Keep this manual and invoice in a safe and dry place for future reference.**

## GENERAL SAFETY WARNINGS AND PRECAUTIONS

- 1. Keep work area clean and dry.** Cluttered, damp, or wet work areas invite injuries.
- 2. Keep children away from work area.** Do not allow children to handle this product.
- 3. Store idle equipment.** When not in use, tools and equipment should be stored in a dry location to inhibit rust. Always lock up tools and equipment, and keep out of reach of children.
- 4. Do not use this product if under the influence of alcohol or drugs.** Read warning labels on prescriptions to determine if your judgement or reflexes

are impaired while taking drugs. If there is any doubt, do not attempt to use this product.

5. **Use eye and hand protection.** Wear ANSI approved safety impact eye goggles and flame retardant gloves when using this product. ANSI approved safety impact eye goggles and flame retardant gloves are available from Harbor Freight Tools.
6. **Dress safely.** Do not wear loose clothing or jewelry, as they can become caught in moving parts or come in contact with open flames. Wear a protective hair covering to prevent long hair from becoming caught in moving parts or coming in contact with open flames.
7. **Do not overreach.** Keep proper footing and balance at all times to prevent tripping, falling, back injury, etc.
8. **Industrial applications must follow OSHA requirements.**
9. **Stay alert.** Watch what you are doing at all times. Use common sense. Do not use this product when you are tired or distracted from the job at hand.
10. **Check for damaged parts.** Before using this product, carefully check that it will operate properly and perform its intended function. Check for damaged parts and any other conditions that may affect the operation of this product. Check hose for cracking or other damage. Replace or repair damaged or worn parts immediately.
11. **Replacement parts and accessories:** When servicing, use only identical replacement parts. Only use accessories intended for use with this product. Approved accessories are available from Harbor Freight Tools.
12. **Maintain this product with care.** Keep this product clean and dry for better and safer performance. For your safety, service and maintenance should be performed regularly by a qualified technician.
13. **Use the right tool for the job.** Do not attempt to force a small tool to do the work of a larger industrial tool. There are certain applications for which this tool was designed. (See General Application section on page 2). It will do the job better and more safely at the capacity for which it was intended. Do not modify this tool, and do not use this tool for a purpose for which it was not intended.
14. **WARNING!** The warnings, precautions, and instructions discussed in this manual cannot cover all possible conditions and situations that may occur. The operator must understand that common sense and caution are factors, which cannot be built into this product, but must be supplied by the operator.

## SPECIFIC PRODUCT WARNINGS AND PRECAUTIONS

1. **Maintain a safe working environment.** Keep the work area well lit. Make sure there is adequate surrounding work space. Always keep the area free of obstructions, grease, oil, trash, and other debris. Do not use the Propane Torch in areas near flammable chemicals, dusts, and vapors. Be aware of wind blown sparks. Do not use the Propane Torch around or near buildings and structures.
2. **The Propane Torch is for outdoor use only. Use the Propane Torch only in well ventilated areas.** Inhalation of propane fumes may result in carbon monoxide poisoning, injury and/or death.
3. **Before each use, always check all propane connections and joints to make sure no leaks are present. Check hose for cracks or any signs deterioration.**
4. **If while using the Propane Torch you notice the odor of propane, immediately shut off the propane fueling the Torch.** Extinguish all open flames, and carefully check for leaks by using soapy water. Never use a flame to check for leaks. If the odor continues, do not use the Torch. Call your local propane supplier for assistance.
5. **Propane fuel is extremely flammable and under pressure.** Do not store propane fuel in temperatures exceeding 120 degrees fahrenheit. Keep the propane cylinder upright when using and storing. Never puncture or set fire to an empty propane cylinder. Contact local solid waste authorities for instructions on correct disposal or recycling of a propane cylinder.
6. **Do not aim the Propane Torch's Burner (1) at yourself, others, or animals. Keep spectators clear of the work area.**
7. **Maintain a firm grip on the Propane Torch while in use.**
8. **Never reach across the Propane Torch while in use.** Be aware that parts of the Propane Torch become extremely hot during operation.
9. **Always allow sufficient time for the Propane Torch to completely cool down before storing. Do not store flammable liquids or materials in the area surrounding the Propane Torch.**
10. **Maintain labels and nameplates on the Propane Torch.** These carry important information. If unreadable or missing, contact Harbor Freight Tools for a replacement.

11. **Never use gasoline, kerosene, or other highly volatile fluids as a starter as they can explode.**
12. **Dress safely.** Do not wear loose clothing such as hanging shirt tails and coats. Wear a protective hair covering to keep long hair away from heat and flames. Use ANSI approved safety impact goggles and flame retardant gloves to avoid burns.
13. **Never leave the Propane Torch unattended once it is lit.**
14. **Keep a fire extinguisher handy.** Always keep a commercial fire extinguisher nearby the Propane Torch in case of accidental fire.
15. **Do not clean the Propane Torch with cleaners that are combustible or corrosive.**
16. **Do not paint any part of the Propane Torch.**
17. **Make sure the Hand Wheel (6) is turned to its “OFF” position and the propane tank (not included) is removed when the Propane Torch is not in use.**
18. **Do not use the Propane Torch in the rain.**
19. **Never smoke while using the Propane Torch.** Make sure all surrounding flames are extinguished.
20. **Never use a propane tank if it shows signs of:** Dents, corrosion, gouges, bulges, fire damage, leakage, excessive rust, or any other form of visual external damage.
21. **When work is complete,** only set the Propane Torch on a non-flammable surface like concrete, until the tool is completely cool to the touch.
22. **WARNING!** The brass components of this product contain lead, a chemical known to the State of California to cause birth defects (or other reproductive harm). (*California Health & Safety Code 25249.5, et seq.*)
23. **WARNING!** This product, when used with propane fuel, produces chemicals known to the State of California to cause cancer and birth defects (or other reproductive harm). (*California Health & Safety Code 25249.5, et seq.*)

## UNPACKING

When unpacking, check to make sure all the parts shown on the **Parts List (page 8)** are included. If any parts are missing or broken, please call Harbor Freight Tools at the number shown on the cover of this manual as soon as possible.

## PRODUCT FEATURES

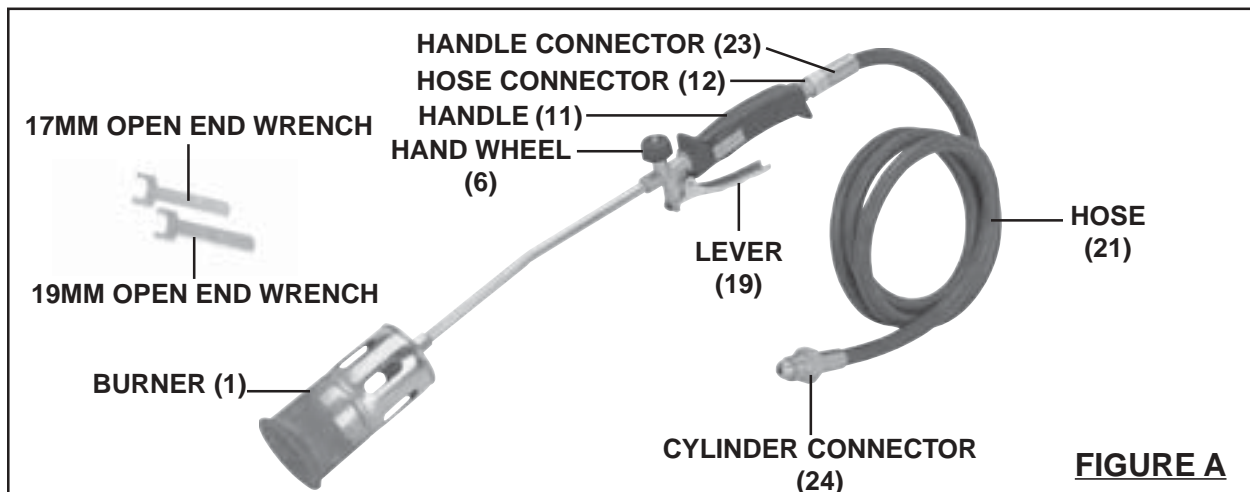
1. The Propane Torch is ideal for de-icing, removing paint (only from non-flammable surfaces), removing weeds (only in a controlled, safe environment, and softening asphalt for removal or patching. In addition, the Propane Torch easily attaches to standard 20 Lbs., Barbeque L.P. (propane) tanks (not included).

## ASSEMBLY AND OPERATING INSTRUCTIONS

**NOTE:** For additional references to the parts listed in the following pages, refer to the **Assembly Diagram (page 8)**.

**NOTE:** Always check the hose for cracking or other damage. Never use a damaged hose.

1. Prior to use, the Hose (21) must be attached to the Propane Torch. To do so, wrap about 3" of pipe thread tape (not included) around the male threads of the Hose Connector (12). Then, use the accessory 19MM Open End Wrench to firmly tighten the Handle Connector (23) onto the Hose Connector. **(See Figure A.) Note:** This is a left hand thread.
2. Make sure the Hand Wheel (6) is turned completely *clockwise* to the "OFF" position. **(See Figure A.)**
3. Screw the Cylinder Connector (24) firmly into the female hose connector of the L.P. tank. **NOTE: The fitting is a reverse thread - 20 Lb. LPT.**
4. The Hand Wheel (6) regulates the propane gas flow. Release the propane gas flow by **slightly** turning the Hand Wheel *counterclockwise*. **(See Figure A.)**
5. Make sure the Burner (1) is pointing in a safe direction. Insert the lit end of a commercial, long handled, fireplace/barbecue grill *lighter* through one of the slots located on the Burner. **(See Figure A.)**



6. Adjust the flame to the desired level by turning the Hand Wheel (6) *counterclockwise*. **(See Figure A.)**
7. **NOTE:** The lit Propane Torch should operate with a blue flame with a small yellow tip. If necessary, adjust the Hand Wheel (6) if there is sputtering or popping. **(See Figure A.)**
8. Pressing the Lever (19) down toward the Handle (11) will intensify the size of the flame. Releasing the Lever will bring the flame back to its previous size. **(See Figure A.)** **Caution:** Be extra careful when using the Propane Torch with the intense flame.
9. To extinguish the flame, close the Hand Wheel (6) by turning it completely *clockwise*. **(See Figure A.)**
10. Allow sufficient time for the Propane Torch to completely cool. Then, store the Propane Torch in a safe location and out of reach of children.
11. Disconnect the torch from the LP cylinder when not in use. Protect the hose from cuts and abrasions.

## INSPECTION, MAINTENANCE, AND CLEANING

1. **Before each use**, inspect the general condition of the Propane Torch. Check the Propane Torch for loose connections and joints, cracked, bent, or broken parts, damaged hose, damaged propane tank, and any other condition that may affect the safe operation of the Propane Torch. If a problem occurs, have the problem corrected before further use. **Do not use damaged equipment.**
2. **When cleaning**, use only water and a mild detergent. Do not use cleaners that are combustible or corrosive.
3. **When storing**, always allow sufficient time for the Propane Torch to completely cool down before storing. Do not store flammable liquids or materials in the area surrounding the Propane Torch. Make sure the Propane Torch's Hand Wheel (6) is in its "OFF" position. Only store the Propane Torch in a location that is out of reach of children.

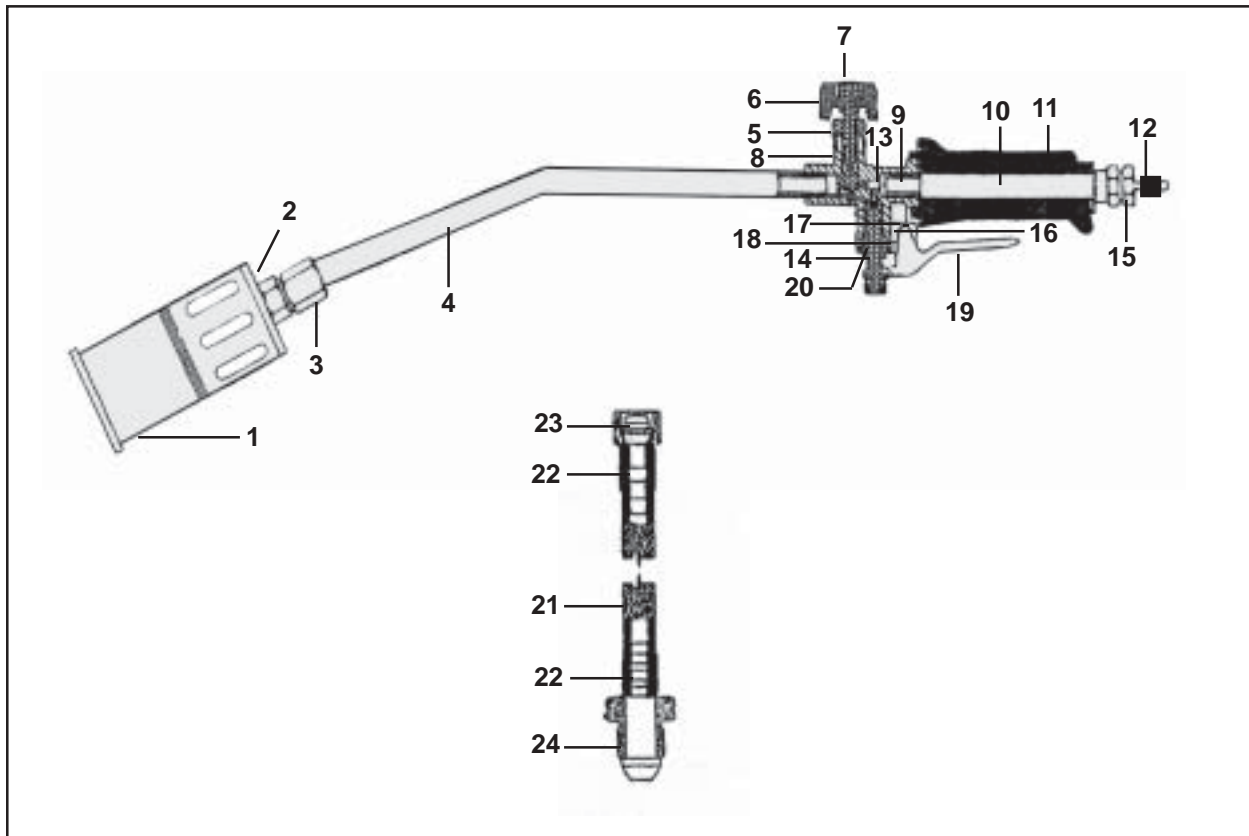
## PLEASE READ THE FOLLOWING CAREFULLY

THE MANUFACTURER AND/OR DISTRIBUTOR HAS PROVIDED THE PARTS LIST AND ASSEMBLY DIAGRAM IN THIS MANUAL AS A REFERENCE TOOL ONLY. NEITHER THE MANUFACTURER OR DISTRIBUTOR MAKES ANY REPRESENTATION OR WARRANTY OF ANY KIND TO THE BUYER THAT HE OR SHE IS QUALIFIED TO MAKE ANY REPAIRS TO THE PRODUCT, OR THAT HE OR SHE IS QUALIFIED TO REPLACE ANY PARTS OF THE PRODUCT. IN FACT, THE MANUFACTURER AND/OR DISTRIBUTOR EXPRESSLY STATES THAT ALL REPAIRS AND PARTS REPLACEMENTS SHOULD BE UNDERTAKEN BY CERTIFIED AND LICENSED TECHNICIANS, AND NOT BY THE BUYER. THE BUYER ASSUMES ALL RISK AND LIABILITY ARISING OUT OF HIS OR HER REPAIRS TO THE ORIGINAL PRODUCT OR REPLACEMENT PARTS THERETO, OR ARISING OUT OF HIS OR HER INSTALLATION OF REPLACEMENT PARTS THERETO.

## PARTS LIST

Part #	Description	Part #	Description
1	Burner (Turbo 060)	13	Packing
2	Nozzle Hole	14	O-Ring
3	Nozzle Connector	15	Nut (M4)
4	Steel Tube Extension	16	Piston Lever
5	O-Ring	17	Jamming Piston Nut
6	Hand Wheel	18	Jamming Lever Pin
7	Nut (M4)	19	Lever
8	Needle Guide Nut	20	Steel Spring
9	Tap Casing	21	Hose
10	Iron Tube	22	Clip
11	Handle	23	Handle Connector
12	Hose Connector	24	Cylinder Connector

## ASSEMBLY DIAGRAM



**NOTE:** Some parts are listed and shown for illustration purposes only, and are not available individually as replacement parts.



## Free Manuals Download Website

<http://myh66.com>

<http://usermanuals.us>

<http://www.somanuals.com>

<http://www.4manuals.cc>

<http://www.manual-lib.com>

<http://www.404manual.com>

<http://www.luxmanual.com>

<http://aubethermostatmanual.com>

Golf course search by state

<http://golfingnear.com>

Email search by domain

<http://emailbydomain.com>

Auto manuals search

<http://auto.somanuals.com>

TV manuals search

<http://tv.somanuals.com>