

**GORDON**

®

# 1 MILLION CANDLE-POWER RECHARGEABLE SPOT LIGHT

**Model 66691**

## OPERATING AND MAINTENANCE INSTRUCTIONS



Visit our website at: <http://www.harborfreight.com>



**Read this material before using this product.  
Failure to do so can result in serious injury.  
SAVE THIS MANUAL.**

Copyright© 2009 by Harbor Freight Tools®. All rights reserved. No portion of this manual or any artwork contained herein may be reproduced in any shape or form without the express written consent of Harbor Freight Tools. Diagrams within this manual may not be drawn proportionally. Due to continuing improvements, actual product may differ slightly from the product described herein. Tools required for assembly and service may not be included.

**For technical questions or replacement parts, please call 1-800-444-3353.**

Manual Revised 10d

---

## SAVE THIS MANUAL

---

Keep this manual for the safety warnings and precautions, assembly, operating, inspection, maintenance and cleaning procedures. Write the product's serial number in the back of the manual near the assembly diagram (or month and year of purchase if product has no number). Keep this manual and the receipt in a safe and dry place for future reference.

### **WARNING**

**When using this Rechargeable Spot Light, basic safety precautions should always be followed to reduce the risk of fire, electric shock, and personal injury, including the following:**

1. Always wear ANSI-approved safety goggles during battery removal and installation.
2. Inspect before each use. Do not use if the battery is leaking or damaged in any way.
3. Never point the light beam from this Rechargeable Spot Light directly into the eyes of any person, or animal.
4. If using this Spot Light near a roadway, DO NOT point light beam into oncoming traffic.
5. Do not use this Spot Light for any purpose except that for which it is intended.
6. Store idle Rechargeable Spot Light indoors when not in use. Store high, out of the reach of children.
7. **WARNING:** This product contains lead, which is a chemical known to the State of California to cause can-

cer and birth defects or other reproductive harm. (California Health & Safety Code § 25249.5, *et seq.*)

8. Maintain labels and nameplates on the Rechargeable Spot Light. These carry important safety information. If unreadable or missing, contact Harbor Freight Tools for a replacement.
9. The warnings, precautions, and instructions discussed in this instruction manual cannot cover all possible conditions and situations that may occur. It must be understood by the operator that common sense and caution are factors which cannot be built into this product, but must be supplied by the operator.



**SAVE THESE INSTRUCTIONS.**

## SPECIFICATIONS

Rechargeable Battery	4V DC 2AH Sealed Lead Acid (Included, Not Replaceable).
Bulb	25W Halogen (H3 4V 25W)
AC/DC Adaptor	Input: 120VAC 60 Hz (Included)
Adaptor Prongs	2-Prong, Non-Polarized
Cigarette Lighter Adaptor	12V DC, Fuse: 2A 250V (Included)
Light Output	1 Million Candle Power

**Please Note: Spotlight will NOT operate during charging.**

## UNPACKING

When unpacking, make sure that the item is intact and undamaged. If any parts are missing or broken, please call Harbor Freight Tools at the number shown on the cover of this manual as soon as possible.

## OPERATING INSTRUCTIONS



Read the **ENTIRE IMPORTANT SAFETY INFORMATION** section at the beginning of this manual including all text under subheadings therein before set up or use of this product.

### Charging with AC/DC Adaptor:

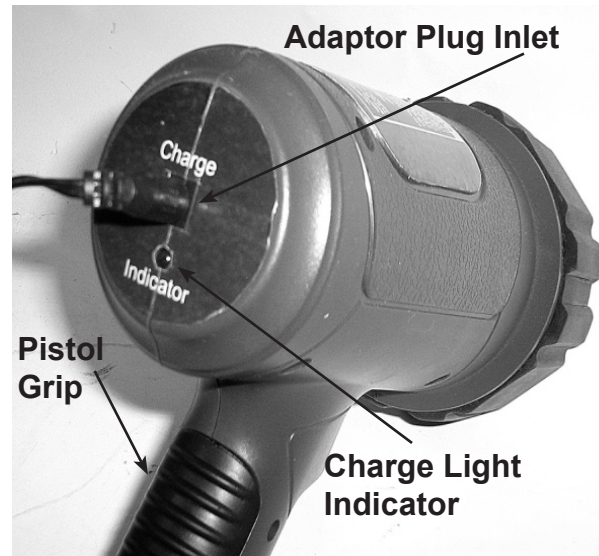
1. Plug AC/DC Adaptor (21) into a 120V outlet.
2. Attach the end of the Adaptor cord to the Adaptor Cord Inlet, located on the back of the Spot Light. See **Figure 1**.
3. The Charge Light Indicator will light up. When the Charge Light Indicator

goes out, the Spot Light is ready for use. Unplug the Adaptor.

### Charging with 12V Cigarette Lighter

**Adaptor:** Plug into any 12V DC outlet in a Automobile, boat or RV, and then into the Adaptor Plug Inlet located on the back of the Spot Light. See **Figure 1**.

**Figure 1**



4. The Charge Light Indicator will light up. When the Charge Light Indicator goes out, the Spot Light is ready for use. Unplug the Adaptor.
5. A fully charged Spot Light will give bright light for approximately 20 minutes.
6. **NOTE: Spotlight will not operate during charging.**

### Using the Rechargeable Spot Light:

1. Hold the Spot Light using the Pistol Grip (4).
2. Squeeze the Switch (6) located on the Trigger (8). If you want the Spot Light to stay on, push the Switch Lock (5) in while squeezing the Trig-

ger (8), then release the Trigger (8) and the Spot Light will stay on.

3. When finished using the Spot Light, squeeze the Trigger to turn the Spot Light off. Let the Bulb (14) cool for at least 30 minutes before storing. Keep Spotlight indoors away from children.

### **Replacing the 4V Halogen Bulb:**

1. Remove the Ring Cover (12) from the Housing (2) by un-threading with a counterclockwise motion.
2. Lift out Ring (11), Lens (10), and Reflective Bowl (9). The Bulb (14) is installed into base of Reflective Bowl.
3. Remove the Metal Spring Clip (22) holding the Bulb Holder in place by squeezing and lifting the Spring Clip up through the "T" slot.
4. **NOTE: To prevent hand-oil contamination, DO NOT touch the Halogen Bulb (14) with bare hands. Use a lint free, soft, clean rag to handle the Bulb.** Remove the Bulb from the Bulb Holder by twisting it counterclockwise and lifting.
5. Replace with new, identical Bulb (25W Halogen H3 4V).
6. Place Bulb Holder into the Reflective Bowl (9). Slide the closed end of the Metal Spring Clip (22) over the tab attached to the side of the Bulb Holder, and squeeze the Spring Clip together while sliding it into the "T" slot.
7. Replace the Reflective Bowl (9), the Lens (10), and the Ring (11). Hold these in place while threading the Ring Cover (12) onto the Spot Light with a clockwise motion.

### **Removing and Recycling the 4V DC Battery:**

**NOTE:** The Battery for this product is rechargeable and long lasting. When finally it is worn beyond any further use, it should be removed and recycled and the Spot Light should be disposed of with normal refuse. **DO NOT dispose of the Spot Light with Battery inclosed in it's Housing.**

**Figure 2**



1. To remove the Battery from the Housing (2), follow these steps:
  - a. Remove seven Screws from the Housing. See **Figure 2**.
  - b. Pull the Housing (2) apart and remove the wires connected to the Battery.
  - c. Remove the Battery from the Housing (2).

**WARNING! DO NOT dispose of the 4V Lead Acid Battery with normal refuse. Always recycle in accordance with all local, state and federal rules and regulations.**

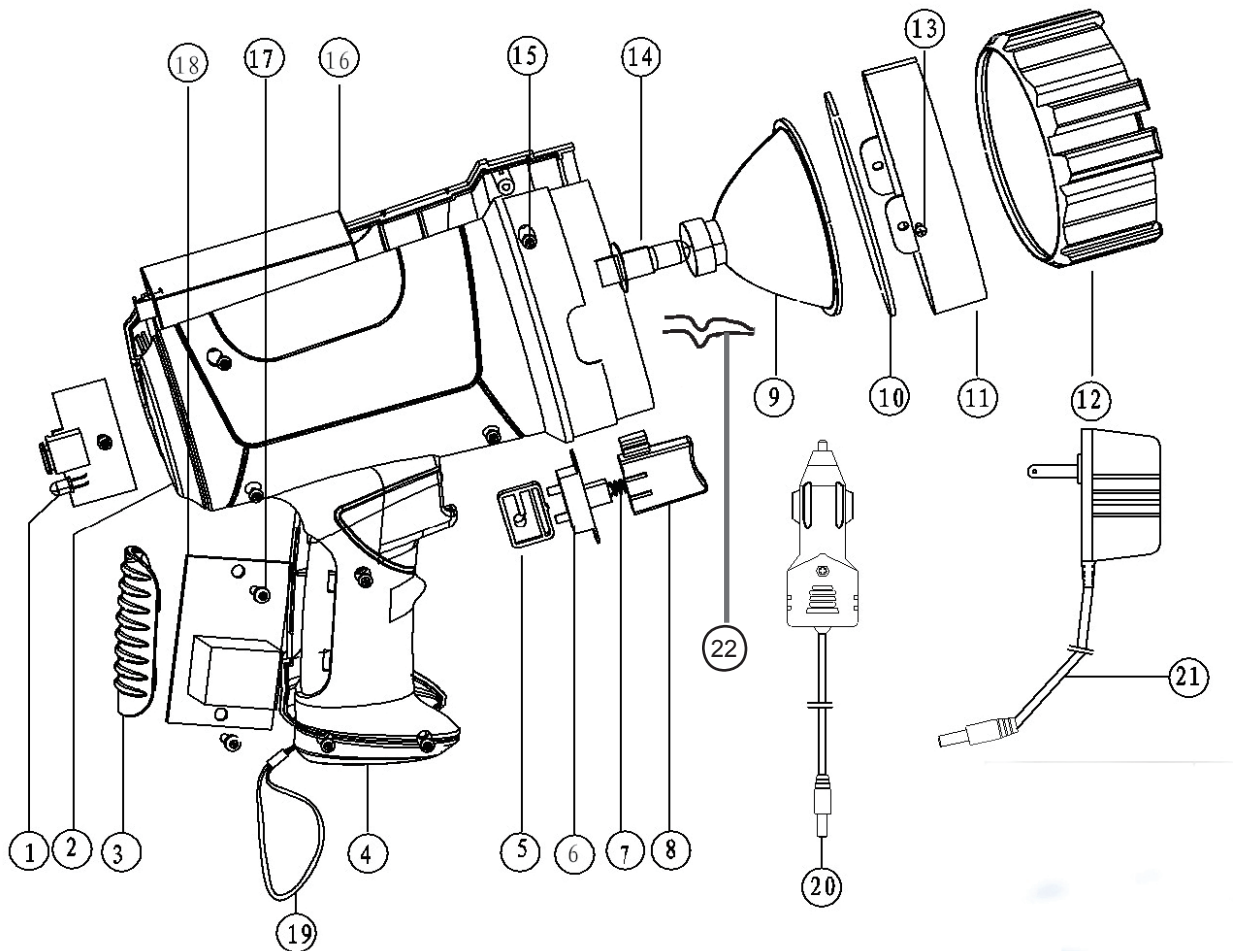
## PARTS LIST

Part	Description	Q'ty
1	Circuit Board	1
2	Housing	1
3	Pistol Grip Holder	1
4	Pistol Grip	1
5	Switch Lock	1
6	Switch	1
7	Trigger Spring	1
8	Trigger	1
9	Reflective Bowl	1
10	Lense	1
11	Ring	1

## PARTS LIST

Part	Description	Q'ty
12	Ring Cover	1
13	Screw	2
14	Halogen Bulb (25W H3 4V)	1
15	Screw (Housing)	7
16	Battery	1
17	Screw	2
18	Circuit Board	1
19	Wrist Wrap	1
20	Auto, Boat, RV, 12V DC Adaptor	1
21	AC/DC Adaptor (120V)	1
22	Metal Spring Clip	1

## ASSEMBLY DIAGRAM



Record Product's Serial Number Here: \_\_\_\_\_

**Note:** If product has no serial number, record month and year of purchase instead.

**Note:** Some parts are listed and shown for illustration purposes only, and are not available individually as replacement parts.



---

## **LIMITED 90 DAY WARRANTY**

---

Harbor Freight Tools Co. makes every effort to assure that its products meet high quality and durability standards, and warrants to the original purchaser that this product is free from defects in materials and workmanship for the period of 90 days from the date of purchase. This warranty does not apply to damage due directly or indirectly, to misuse, abuse, negligence or accidents, repairs or alterations outside our facilities, criminal activity, improper installation, normal wear and tear, or to lack of maintenance. We shall in no event be liable for death, injuries to persons or property, or for incidental, contingent, special or consequential damages arising from the use of our product. Some states do not allow the exclusion or limitation of incidental or consequential damages, so the above limitation of exclusion may not apply to you. THIS WARRANTY IS EXPRESSLY IN LIEU OF ALL OTHER WARRANTIES, EXPRESS OR IMPLIED, INCLUDING THE WARRANTIES OF MERCHANTABILITY AND FITNESS.

To take advantage of this warranty, the product or part must be returned to us with transportation charges prepaid. Proof of purchase date and an explanation of the complaint must accompany the merchandise. If our inspection verifies the defect, we will either repair or replace the product at our election or we may elect to refund the purchase price if we cannot readily and quickly provide you with a replacement. We will return repaired products at our expense, but if we determine there is no defect, or that the defect resulted from causes not within the scope of our warranty, then you must bear the cost of returning the product.

This warranty gives you specific legal rights and you may also have other rights which vary from state to state.

**3491 Mission Oaks Blvd. • PO Box 6009 • Camarillo, CA 93011 • (800) 444-3353**

---

### **PLEASE READ THE FOLLOWING CAREFULLY**

THE MANUFACTURER AND/OR DISTRIBUTOR HAS PROVIDED THE PARTS LIST AND ASSEMBLY DIAGRAM IN THIS MANUAL AS A REFERENCE TOOL ONLY. NEITHER THE MANUFACTURER OR DISTRIBUTOR MAKES ANY REPRESENTATION OR WARRANTY OF ANY KIND TO THE BUYER THAT HE OR SHE IS QUALIFIED TO MAKE ANY REPAIRS TO THE PRODUCT, OR THAT HE OR SHE IS QUALIFIED TO REPLACE ANY PARTS OF THE PRODUCT. IN FACT, THE MANUFACTURER AND/OR DISTRIBUTOR EXPRESSLY STATES THAT ALL REPAIRS AND PARTS REPLACEMENTS SHOULD BE UNDERTAKEN BY CERTIFIED AND LICENSED TECHNICIANS, AND NOT BY THE BUYER. THE BUYER ASSUMES ALL RISK AND LIABILITY ARISING OUT OF HIS OR HER REPAIRS TO THE ORIGINAL PRODUCT OR REPLACEMENT PARTS THERETO, OR ARISING OUT OF HIS OR HER INSTALLATION OF REPLACEMENT PARTS THERETO.

## Free Manuals Download Website

<http://myh66.com>

<http://usermanuals.us>

<http://www.somanuals.com>

<http://www.4manuals.cc>

<http://www.manual-lib.com>

<http://www.404manual.com>

<http://www.luxmanual.com>

<http://aubethermostatmanual.com>

Golf course search by state

<http://golfingnear.com>

Email search by domain

<http://emailbydomain.com>

Auto manuals search

<http://auto.somanuals.com>

TV manuals search

<http://tv.somanuals.com>