

SHINGLE CUTTER

Model 96193

OPERATION INSTRUCTIONS



Due to continuing improvements, actual product may differ slightly from the product described herein.



3491 Mission Oaks Blvd., Camarillo, CA 93011

Visit our website at: <http://www.harborfreight.com>

**TO PREVENT SERIOUS INJURY, READ AND UNDERSTAND
ALL WARNINGS AND INSTRUCTIONS BEFORE USE.**

Copyright© 2007 by Harbor Freight Tools®. All rights reserved. No portion of this manual or any artwork contained herein may be reproduced in any shape or form without the express written consent of Harbor Freight Tools.

For technical questions or replacement parts, please call 1-800-444-3353.

SPECIFICATIONS

Material Construction	Formed and Stamped Steel Table & Alloy Steel Blade
Dimensions	Overall Handle: 24-9/16" L. x 37-13/16" W. x 4" H. Table: 15-1/4" L. x 31-15/16" W. x 1" H.
Weight	28.0 lb.

Save This Manual

You will need this manual for the safety warnings and precautions, assembly, operating, inspection, maintenance and cleaning procedures, parts list and assembly diagram. Keep your invoice with this manual. Write the invoice number on the inside of the front cover. Write the product's serial number in the back of the manual near the assembly diagram, or write month and year of purchase if product has no number. Keep this manual and invoice in a safe and dry place for future reference.

GENERAL SAFETY RULES



READ AND UNDERSTAND ALL INSTRUCTIONS
Failure to follow all instructions listed below may result in
electric shock, fire, and/or serious injury.
SAVE THESE INSTRUCTIONS

WORK AREA

1. **Keep your work area clean and well lit.** Cluttered benches and dark areas invite accidents.
2. **Keep children and visitors away while operating.** Distractions can cause you to lose control. Protect others in the work area from debris such as chips and sparks. Provide barriers or shields as needed. Keep children away from this product.

PERSONAL SAFETY

1. **Stay alert. Watch what you are doing, and use common sense when operating the tool. Do not use while tired or under the influence of drugs, alcohol, or medication.** A moment of inattention while operating this tool may result in serious personal injury.
2. **Dress properly. Do not wear loose clothing or jewelry. Contain long hair. Keep your hair, clothing, and gloves away from moving parts.** Loose clothes, jewelry, or long hair can be caught in moving parts.

3. **Do not overreach. Keep proper footing and balance at all times.** Proper footing and balance enables better control of the power tool in unexpected situations.
4. **Use safety equipment. Always wear ANSI-approved eye protection and dust mask and heavy-duty work gloves.** Nonskid or steel-toe safety shoes, hard hat, or hearing protection must be used for appropriate conditions. Always wear ANSI-approved safety goggles and a dust mask/respirator when using or performing maintenance on this tool.

TOOL USE AND CARE

1. **Do not force the tool. Use the correct tool for your application.** The correct tool will do the job better and safer at the rate for which it is designed. Do not force the tool and do not use the tool for a purpose for which it is not intended.
2. **Store idle tools out of reach of children and other untrained persons.** Tools are dangerous in the hands of untrained users.
3. **Maintain tools with care. Keep blade and striker plate sharp and clean.** Properly maintained tools with a sharp cutting edge are less likely to bind and are easier to control. Do not use a damaged tool. Tag damaged tools "Do not use" until repaired.
4. **Check for misalignment or binding of moving parts, breakage of parts, and any other condition that may affect the tool's operation. If damaged, have the tool serviced before using.** Many accidents are caused by poorly maintained tools.

SERVICE

1. **Tool service must be performed only by qualified repair personnel.** Service or maintenance performed by unqualified personnel could result in a risk of injury.
2. **When servicing a tool, use only identical replacement parts. Follow instructions in the "Inspection, Maintenance, And Cleaning" section of this manual.** Use of unauthorized parts or failure to follow maintenance instructions may create a risk of electric shock or injury.

SPECIFIC SAFETY RULES

1. **Maintain labels and nameplates on the tool.** These carry important information. If unreadable or missing, contact Harbor Freight Tools for a replacement.
2. **WARNING: Some dust created by power sanding, cutting, grinding, drilling, and other construction activities, contains chemicals known [to the State of California] to cause cancer, birth defects or other reproductive harm.** Some examples of these chemicals are:
Lead from lead-based paints

Crystalline silica from bricks and cement or other masonry products

Arsenic and chromium from chemically treated lumber

Your risk from these exposures varies, depending on how often you do this type of work. To reduce your exposure to these chemicals: work in a well ventilated area, and work with approved safety equipment, such as those dust masks that are specially designed to filter out microscopic particles. (California Health & Safety Code § 25249.5, *et seq.*)

3. **Never operate Universal Shingle Cutter without guard in place.**
4. **The Universal Shingle Cutter is designed to cut relatively soft roofing materials only, such as fiberglass or asphalt-based shingles.** The Universal Shingle Cutter should not be used to cut hardwood, metal, slate or other roofing materials.

UNPACKING

When unpacking, check to make sure that the item is intact and undamaged. If any parts are missing or broken, please call Harbor Freight Tools at the number shown on the cover of this manual as soon as possible.

OPERATING INSTRUCTIONS

1. Decide on the length of shingles and desired angle of cut needed for the project.
2. Adjust the guides on the table to reflect the angle and size of the cut. Tighten the wing nuts on the guides (underneath the table) to secure guides in place.
3. Release the Safety Latch and raise the blade, aligning the shingle with the guides on the Shingle Cutter Table. The gritty top surface of the shingle should be facing up.

Note: For best results, shingle should be warm to achieve the straightest and most even cut. If necessary, lay shingles in the sun for a short time to warm them up.

4. Hold shingle by pressing down in the center of the shingle with your left hand. Grip Blade Handle in right hand and make a brisk and firm downward stroke with it. Keep inward pressure towards the striker plate. Keep hand and fingers clear of Blade while cutting the shingle.

Sharpening

1. The Blade of the Universal Shingle Cutter should be kept clean and sharp.
2. The blade can be sharpened with a file while still connected to the unit or removed and sharpened by an angle grinder (see Removing Blade). The blade should be sharpened at a *15 degree angle* for best results.

Removing Blade:

- Unscrew both nuts at pivot end of Blade.
- Slide Blade out of pivot housing to replace or sharpen.

INSPECTION, MAINTENANCE, AND CLEANING

1. **BEFORE EACH USE**, inspect the general condition of the tool. Check for loose screws, misalignment or binding of moving parts, cracked or broken parts, damaged electrical wiring, and any other condition that may affect its safe operation. If abnormal noise or vibration occurs, have the problem corrected before further use. **Do not use damaged equipment.**
2. **Keep blade and and striker plate sharp and clean for better, safer performance.** If blade or striker plate become dull or coated with asphalt or granules from shingles, clean with file and/or tar remover (not included).
3. Sharpen Blade when performance decreases. If shingles tear when being cut or cut edge is ragged, blade should be sharpened.
4. Periodically clean and lubricate pivot joint.

PLEASE READ THE FOLLOWING CAREFULLY

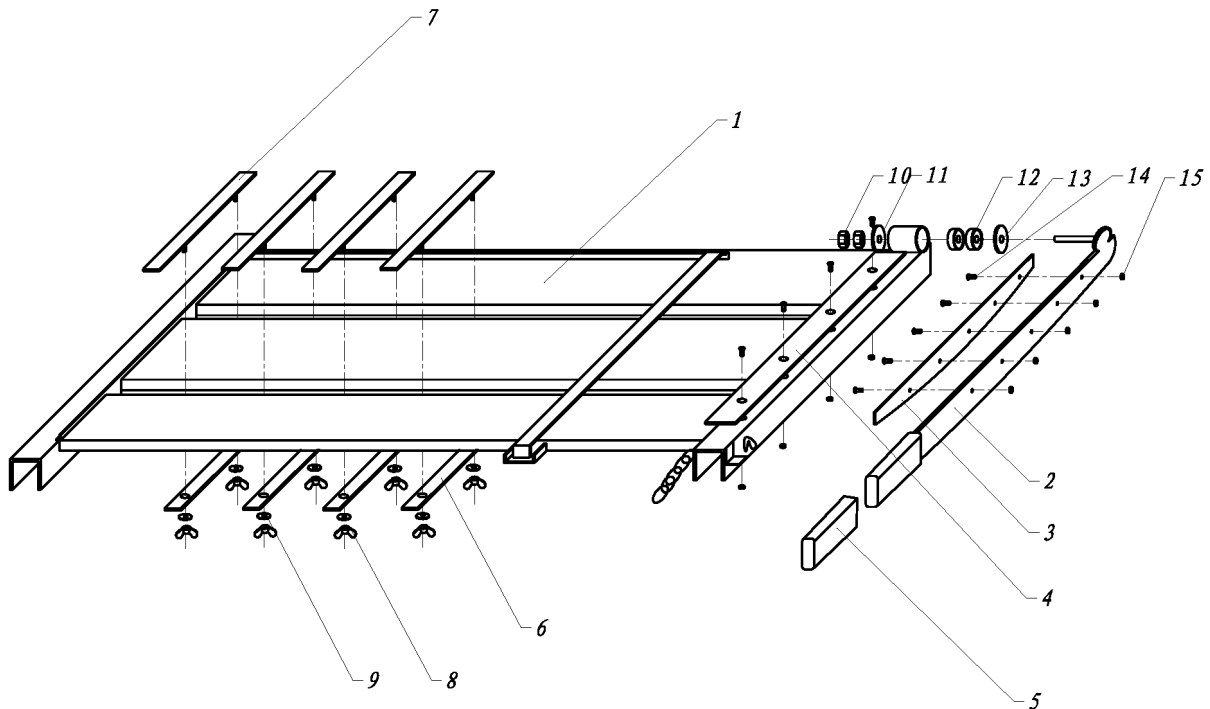
THE MANUFACTURER AND/OR DISTRIBUTOR HAS PROVIDED THE PARTS LIST AND ASSEMBLY DIAGRAM IN THIS MANUAL AS A REFERENCE TOOL ONLY. NEITHER THE MANUFACTURER OR DISTRIBUTOR MAKES ANY REPRESENTATION OR WARRANTY OF ANY KIND TO THE BUYER THAT HE OR SHE IS QUALIFIED TO MAKE ANY REPAIRS TO THE PRODUCT, OR THAT HE OR SHE IS QUALIFIED TO REPLACE ANY PARTS OF THE PRODUCT. IN FACT, THE MANUFACTURER AND/OR DISTRIBUTOR EXPRESSLY STATES THAT ALL REPAIRS AND PARTS REPLACEMENTS SHOULD BE UNDERTAKEN BY CERTIFIED AND LICENSED TECHNICIANS, AND NOT BY THE BUYER. THE BUYER ASSUMES ALL RISK AND LIABILITY ARISING OUT OF HIS OR HER REPAIRS TO THE ORIGINAL PRODUCT OR REPLACEMENT PARTS THERETO, OR ARISING OUT OF HIS OR HER INSTALLATION OF REPLACEMENT PARTS THERETO.

PARTS LIST

Part	Part Description	QTY
1	Work Table	1
2	Handle	1
3	Upper blade	1
4	Under blade	1
5	Grip	1
6	Upper locking bar	4
7	Under Locking Bar	4
8	Wing Nut M6	8

Part	Part Description	QTY
9	Washer 6	8
10	Nut	2
11	Washer	1
12	Bearing	2
13	Washer	1
14	Phillip Screw M5x15	9
15	Nut M5	9

ASSEMBLY DIAGRAM



Record Product's Serial Number Here: _____

Note: If product has no serial number, record month and year of purchase instead.

Note: Some parts are listed and shown for illustration purposes only, and are not available individually as replacement parts.

Free Manuals Download Website

<http://myh66.com>

<http://usermanuals.us>

<http://www.somanuals.com>

<http://www.4manuals.cc>

<http://www.manual-lib.com>

<http://www.404manual.com>

<http://www.luxmanual.com>

<http://aubethermostatmanual.com>

Golf course search by state

<http://golfingnear.com>

Email search by domain

<http://emailbydomain.com>

Auto manuals search

<http://auto.somanuals.com>

TV manuals search

<http://tv.somanuals.com>