



## 220 VOLT, HYDRAULIC, ELECTRIC PUMP

**Model 92038**

### ASSEMBLY AND OPERATING INSTRUCTIONS



**TO PREVENT SERIOUS INJURY,  
READ AND UNDERSTAND ALL WARNINGS  
AND INSTRUCTIONS BEFORE USE.**

3491 Mission Oaks Blvd., Camarillo, CA 93011  
Visit our Web site at: <http://www.harborfreight.com>

Copyright © 2004 by Harbor Freight Tools®. All rights reserved. No portion of this manual or any artwork contained herein may be reproduced in any shape or form without the express written consent of Harbor Freight Tools.

**For technical questions and replacement parts, please call 1-800-444-3353.**

REV 12/04

## PRODUCT SPECIFICATIONS

|                         |   |
|-------------------------|---|
| Electrical Requirements | 2 HP, 220 V, 50 Hz, Single Phase, 10.6 Amps (work load) |
| Pressure                | 2200 PSI  |
| Speed                   | 2820 RPM  |
| Duty                    | 5 Minute  |
| Oil Tank Capacity       | 4.5 Gallons   |
| Overall Dimensions      | 35-1/2" H x 11" L x 8-1/2" W                            |

## SAVE THIS MANUAL

You will need this manual for the safety warnings and precautions, assembly, operating, inspection, maintenance and cleaning procedures, parts list and assembly diagram. Keep your invoice with this manual. Write the invoice number on the inside of the front cover. Keep this manual and invoice in a safe and dry place for future reference.

## GENERAL SAFETY RULES

 **WARNING!**

**READ AND UNDERSTAND ALL INSTRUCTIONS**  
Failure to follow all instructions listed below may result in  
electric shock, fire, and/or serious injury.  
**SAVE THESE INSTRUCTIONS**

## WORK AREA

1. **Keep your work area clean and well lit.**
2. **Do not operate electric pumps in explosive atmospheres, such as in the presence of flammable liquids, gases, or dust.** Pumps may create sparks and arcing, which may ignite the dust or fumes.
3. **Keep bystanders, children, and visitors away while operating a Pump.**

## ELECTRICAL SAFETY

4. **Avoid body contact with grounded surfaces such as pipes, radiators, ranges, and refrigerators.** There is an increased risk of electric shock if your body is grounded.
5. **Do not expose Electric Pumps to rain or wet conditions.** Water entering a Pump will increase the risk of electric shock.
6. **Do not abuse the Power Cord. Never use the Power Cord to carry the tools or pull the Plug from an outlet. Keep the Power Cord away from heat, oil, sharp edges, or moving parts. Replace damaged Power Cords immediately.** Damaged Power Cords increase the risk of electric shock.
7. **When operating a power tool outside, use an outdoor extension cord marked “W-A” or “W”.** These extension cords are rated for outdoor use, and reduce the risk of electric shock.

## PERSONAL SAFETY

8. **Stay alert. Watch what you are doing, and use common sense when operating a the Pump. Do not use the Pump while tired or under the influence of drugs, alcohol, or medication.** A moment of inattention while operating this Pump may result in serious personal injury.
9. **Dress properly. Do not wear loose clothing or jewelry. Contain long hair. Keep your hair, clothing, and gloves away from moving parts.** Loose clothes, jewelry, or long hair can be caught in moving parts.
10. **Do not overreach. Keep proper footing and balance at all times.** Proper footing and balance enables better control of the power tool in unexpected situations.

## TOOL USE AND CARE

11. **Do not force the Pump. Use the correct Pump for your application.** The correct Pump will do the job better and safer at the rate for which it is designed.
12. **Disconnect the Power Cord Plug from the power source before making any adjustments, changing accessories, or storing the tool.** Such preventive safety measures reduce the risk of starting the Pump accidentally.
13. **Store idle Pumps out of reach of children and other untrained persons.** Electric Pumps are dangerous in the hands of untrained users.

14. **Maintain Pumps with care. Keep them clean.** Do not use a damaged Pump. Tag damaged Pumps “Do not use” until repaired.
15. **Check for, breakage of parts and any other condition that may affect the Pump’s operation. If damaged, have the Pump serviced before using.** Many accidents are caused by poorly maintained Pumps.
16. **Use only accessories that are recommended by the manufacturer for your model.** Accessories that may be suitable for one Pump may become hazardous when used on another Pump.

### SERVICE


17. **Pump service must be performed only by qualified repair personnel.** Service or maintenance performed by unqualified personnel could result in a risk of injury.
18. **When servicing a Pump, use only identical replacement parts. Follow instructions in the “*Inspection, Maintenance, And Cleaning*” section of this manual.** Use of unauthorized parts or failure to follow maintenance instructions may create a risk of electric shock or injury.

### SPECIFIC SAFETY RULES

1. **Maintain labels and nameplates on the Pump.** These carry important information. If unreadable or missing, contact Harbor Freight Tools for a replacement.
  2. **Always wear ANSI approved safety impact eye goggles and heavy work gloves when using the Pump.** Using personal safety devices reduce the risk for injury. Safety impact eye goggles and heavy work gloves are available from Harbor Freight Tools.
  3. **Maintain a safe working environment.** Keep the work area well lit. Make sure there is adequate surrounding workspace. Always keep the work area free of obstructions, grease, oil, trash, and other debris. Do not use an Electric Pump in areas near flammable chemicals, dusts, and vapors. Do not use this product in a damp or wet location.
  4. **Avoid unintentional starting.** Make sure you are prepared to begin work before turning on the Pump.
  5. **All hydraulic hoses and hydraulic systems to be used with this pump must be rated at a working pressure of at least 2200 PSI.**
  6. **Never leave the Pump unattended when it is plugged into an electrical outlet.** Turn off the Pump and unplug it from its electrical outlet before leaving.
- SKU 92038 For technical questions, please call 1-800-444-3353. Page 4

7. **Make sure the Oil Tank (13) is completely filled with a high quality hydraulic oil prior to use.**
8. **This Pump should be mounted in a properly vented area at least 18 inches above the floor.**

**WARNING!! Allow 2 seconds between motor starts.** Failure to comply may burn out the motor.

9. **Always unplug the Pump from its electrical outlet before performing any inspection, maintenance, or cleaning procedures.**
10.  **WARNING!** People with pacemakers should consult their physician(s) before using this product. Electromagnetic fields in close proximity to a heart pacemaker could cause interference to or failure of the pacemaker.

## GROUNDING

### **WARNING!**

The Power Cord requires the attachment of a **220 volt, grounded, 3-Prong Plug** (not included). For safety purposes, only a qualified, certified, electrician should attach a Plug to the Power Cord. Never modify the Plug in any way. To comply with the National Electric Code, and to provide additional protection from the risk of electrical shock, this product should only be connected to a 220 volt electrical outlet that is protected by a Ground Fault Circuit Interrupter (GFCI).




## EXTENSION CORDS

1. **Grounded** tools require a three wire extension cord.
2. As the distance from the supply outlet increases, you must use a heavier gauge extension cord. Using extension cords with inadequately sized wire causes a serious drop in voltage, resulting in loss of power and possible tool damage. **(See Figure C, next page.)**
3. The smaller the gauge number of the wire, the greater the capacity of the cord. For example, a 14 gauge cord can carry a higher current than a 16 gauge cord. **(See Figure C.)**
4. When using more than one extension cord to make up the total length, make sure each cord contains at least the minimum wire size required. **(See Figure C.)**
5. If you are using one extension cord for more than one tool, add the nameplate amperes and use the sum to determine the required minimum cord size. **(See Figure C.)**
6. If you are using an extension cord outdoors, make sure it is marked with the suffix "W-A" ("W" in Canada) to indicate it is acceptable for outdoor use.
7. Make sure your extension cord is properly wired and in good electrical condition. Always replace a damaged extension cord or have it repaired by a qualified electrician before using it.
8. Protect your extension cords from sharp objects, excessive heat, and damp or wet areas.

| <b>RECOMMENDED MINIMUM WIRE GAUGE FOR EXTENSION CORDS*<br/>(220 VOLT)</b> |                              |                |                |                 |                 |
|---|------------------------------|----------------|----------------|-----------------|-----------------|
| <b>NAMEPLATE<br/>AMPERES<br/>(At Full Load)</b>                           | <b>EXTENSION CORD LENGTH</b> |                |                |                 |                 |
|   | <b>25 FEET</b>               | <b>50 FEET</b> | <b>75 FEET</b> | <b>100 FEET</b> | <b>150 FEET</b> |
| <b>0 - 2.0</b>  | <b>18</b>                    | <b>18</b>      | <b>16</b>      | <b>16</b>       | <b>16</b>       |
| <b>2.1 - 3.4</b>  | <b>18</b>                    | <b>18</b>      | <b>16</b>      | <b>14</b>       | <b>14</b>       |
| <b>3.5 - 5.0</b>  | <b>18</b>                    | <b>18</b>      | <b>16</b>      | <b>14</b>       | <b>12</b>       |
| <b>5.1 - 7.0</b>  | <b>18</b>                    | <b>16</b>      | <b>14</b>      | <b>12</b>       | <b>12</b>       |
| <b>7.1 - 12.0</b>   | <b>16</b>                    | <b>14</b>      | <b>12</b>      | <b>10</b>       | <b>-</b>        |
| <b>12.1 - 16.0</b>  | <b>14</b>                    | <b>12</b>      | <b>10</b>      | <b>-</b>        | <b>-</b>        |
| <b>16.1 - 20.0</b>  | <b>12</b>                    | <b>10</b>      | <b>-</b>       | <b>-</b>        | <b>-</b>        |

**FIGURE C**                      \*Based on limiting the line voltage drop to five volts at 150% of the rated amperes.

## SYMBOLOLOGY

|   |                                      |
|---|--------------------------------------|
|  | Double Insulated                     |
|  | Canadian Standards Association       |
|  | Underwriters Laboratories, Inc.      |
| <b>V</b> ~  | Volts Alternating Current            |
| <b>A</b>  | Amperes                              |
| $n_o$ xxxx/min.   | No Load Revolutions per Minute (RPM) |

## UNPACKING

When unpacking, check to make sure all the parts shown on the **Parts List on page 11** are included. If any parts are missing or broken, please call Harbor Freight Tools at the number shown on the cover of this manual as soon as possible.

## ASSEMBLY AND OPERATING INSTRUCTIONS

**NOTE:** For additional information regarding the parts listed in the following pages, refer to the **Assembly Diagram on page 12**.

### **WARNING!**

The Power Cord requires the attachment of a **220 volt, grounded, 3-Prong Plug** (not included). For safety purposes, only a qualified, certified, electrician should attach a Plug to the Power Cord. Never modify the Plug in any way. To comply with the National Electric Code, and to provide additional protection from the risk of electrical shock, this product should only be connected to a 220 volt electrical outlet that is protected by a Ground Fault Circuit Interrupter (GFCI).

This pump can be used for a variety of applications. **However, it must ALWAYS be mounted vertically to a stable, secure surface at least 18" from the floor and can only be used with hydraulic systems and hoses rated at a working pressure of at least 2200 PSI.**

1. **CAUTION:** Always make sure the Power Cord of the Pump is unplugged from its electrical outlet *prior* to installation.

## OPERATING INSTRUCTIONS (continued)

2. Read all of the directions and safety instructions in the manual for the product used with this Pump.

### Mounting the Pump

3. Use the proper hardware (capable of supporting the weight of the pump fully; not included) to mount the Pump vertically to a secure mounting location (also capable of supporting the pump properly), making sure that the Pump is at least 18" from the ground.
4. Fill the unit with 4.5 gallons of high quality hydraulic oil.

### Attaching Hydraulic Hoses

**Note: All hydraulic hoses must be rated at a working pressure of at least 2200 PSI.**

5. With pipe thread seal tape (not included), wrap the threads on both ends of a NPT 3/8" male connector (not included). Tighten one end of the male connector (not included) into the female connection (see Assembly Drawing on page 12).
6. Securely attach the other end of the connector to the hydraulic system.

### Operation

1. Plug the Pump into an approved 220 Volt outlet.
2. Press down on the Pressure Release Handle (3) to completely release hydraulic pressure.
3. To pressurize the system, press the Lift Button (see the Assembly Drawing on page 12).

**WARNING!! Allow the pump 2 seconds to rest between motor starts.**


Failure to comply may burn out the motor.

4. When finished operating the Pump, unplug the unit.

**NOTE:** If the Pump fails to operate, check the hose connections to make sure fluid is pumping through the hoses. Then, check the fluid level. If the unit still fails to operate, stop using it and have it repaired by a qualified technician.



## INSPECTION, MAINTENANCE, AND CLEANING

1.  **WARNING!** Make sure the Power Button of the Pump is in its “OFF” position and that the Pump is unplugged from its electrical outlet before performing any inspection, maintenance, or cleaning procedures.
2. **BEFORE EACH USE**, inspect the general condition of the Pump. Check for loose screws, misalignment or binding of moving parts, cracked or broken parts, leaking hydraulic fluid, damaged electrical wiring, and any other condition that may affect its safe operation. If abnormal noise or vibration occurs, have the problem corrected by a qualified technician before further use.  
**Do not use damaged equipment.**
3. Wipe the Pump clean with a lint free cloth.
4. Check the hose connections prior to and following each use.
5. Before each use, check that the Oil Tank (13) is full.

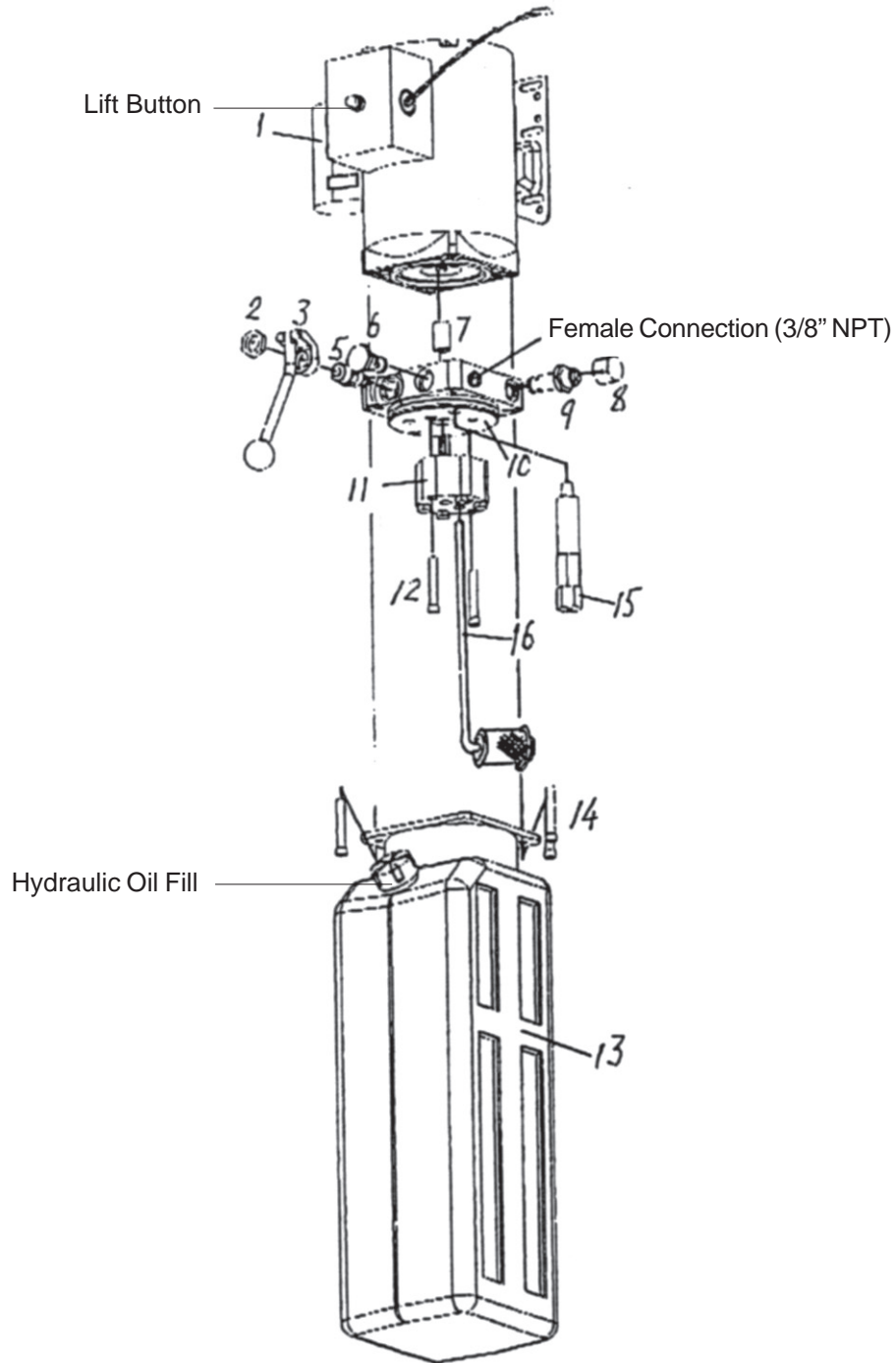
## PARTS LIST

| Part No. | Description             | Qty. |
|----------|-------------------------|------|
| 1        | Motor                   | 1    |
| 2        | Nut M20x1.5             | 1    |
| 3        | Pressure Release Handle | 1    |
| 5        | Release Valve Assembly  | 1    |
| 6        | Check Valve Assembly    | 1    |
| 7        | 9-Gear Bearing Gap      | 1    |
| 8        | Safety Valve Nut Cap    | 1    |
| 9        | Safety Valve Assembly   | 1    |
| 10       | Valve Seat              | 1    |
| 11       | Gear Pump               | 1    |
| 12       | Bolt                    | 2    |
| 13       | Oil Tank                | 1    |
| 14       | Bolt                    | 4    |
| 15       | Bumper Assembly         | 1    |
| 16       | Input Oil Pipe          | 1    |

### PLEASE READ THE FOLLOWING CAREFULLY

THE MANUFACTURER AND/OR DISTRIBUTOR HAS PROVIDED THE PARTS LIST AND ASSEMBLY DIAGRAM IN THIS MANUAL AS A REFERENCE TOOL ONLY. NEITHER THE MANUFACTURER OR DISTRIBUTOR MAKES ANY REPRESENTATION OR WARRANTY OF ANY KIND TO THE BUYER THAT HE OR SHE IS QUALIFIED TO MAKE ANY REPAIRS TO THE PRODUCT, OR THAT HE OR SHE IS QUALIFIED TO REPLACE ANY PARTS OF THE PRODUCT. IN FACT, THE MANUFACTURER AND/OR DISTRIBUTOR EXPRESSLY STATES THAT ALL REPAIRS AND PARTS REPLACEMENTS SHOULD BE UNDERTAKEN BY CERTIFIED AND LICENSED TECHNICIANS, AND NOT BY THE BUYER. THE BUYER ASSUMES ALL RISK AND LIABILITY ARISING OUT OF HIS OR HER REPAIRS TO THE ORIGINAL PRODUCT OR REPLACEMENT PARTS THERETO, OR ARISING OUT OF HIS OR HER INSTALLATION OF REPLACEMENT PARTS THERETO.

## ASSEMBLY DIAGRAM



**NOTE:** Some parts are listed and shown for illustration purposes only, and are not available individually as replacement parts.

SKU 92038 For technical questions, please call 1-800-444-3353. Page 11

## Free Manuals Download Website

<http://myh66.com>

<http://usermanuals.us>

<http://www.somanuals.com>

<http://www.4manuals.cc>

<http://www.manual-lib.com>

<http://www.404manual.com>

<http://www.luxmanual.com>

<http://aubethermostatmanual.com>

Golf course search by state

<http://golfingnear.com>

Email search by domain

<http://emailbydomain.com>

Auto manuals search

<http://auto.somanuals.com>

TV manuals search

<http://tv.somanuals.com>