

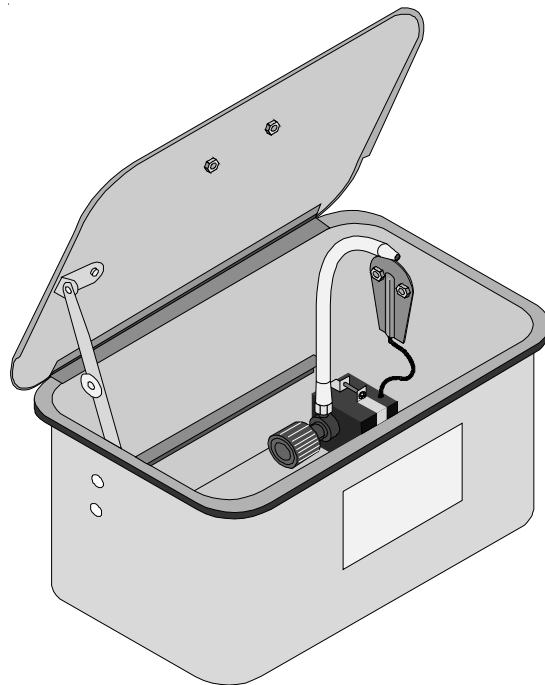
CHICAGO

Electric® Power Tools

3.5 GALLON PARTS WASHER

Model 35740

Assembly and Operating Instructions



3491 Mission Oaks Blvd., Camarillo, CA 93011

Visit our Web site at <http://www.harborfreight.com>

Copyright® 1997 by Harbor Freight Tools®. All rights reserved. No portion of this manual or any artwork contained herein may be reproduced in any shape or form without the express written consent of Harbor Freight Tools.

For technical questions and replacement parts, please call 1-800-444-3353.

SPECIFICATIONS

<i>Characteristic</i>	<i>Value</i>
Tank Dimensions	17-3/8" x 14-1/4" x 8-3/4"
Max. Solvent Capacity	3-1/2 Gallons
Pump Output	50 GPH
Electrical Requirements	.7 Amps @ 110V, 60Hz
Weight	15-1/2 lbs.

SAVE THIS MANUAL

You will need the manual for the safety warnings and cautions, assembly instructions, operating procedures, maintenance procedures, trouble shooting, parts list, and diagram. **Keep your invoice with this manual. Write the invoice number on the inside of the front cover.** Keep both this manual and your invoice in a

READ ALL INSTRUCTIONS BEFORE ASSEMBLING OR OPERATING THIS TOOL.
--

safe, dry place for future reference.

SAFETY WARNING & CAUTIONS

WARNING: When using electric tools, machines, or equipment, basic safety precautions should always be followed to reduce the risk of fire, electric shock, and personal injury. **READ ALL INSTRUCTIONS BEFORE USING THIS TOOL!**

1. **KEEP WORK AREA CLEAN.** Cluttered areas invite injuries.
2. **KEEP CHILDREN AWAY.** All children should be kept away from the work area. Don't let them handle tool.
3. **DO NOT OPERATE THE PARTS WASHER IF UNDER THE INFLUENCE OF ALCOHOL OR DRUGS.** Read warning labels on prescriptions to determine if your judgment or reflexes are impaired while taking drugs. If there is any doubt, do not attempt to operate.
4. **READ ALL INFORMATION CONCERNING THE SOLVENT YOU ARE USING.** Do not use solvents with a flashpoint of less than 150°. Biodegradable solvents are recommended as the use of mineral solvents or petroleum based solvents will cause premature pump wear. Chlorinated solvents, e.g. 1-1-1 Trichloroethane and Methylene Chloride (also known as methyl chloride) can chemically react with aluminum and may explode so are strictly prohibited as this tool contain aluminum. If you are in any doubt whatsoever, contact the solvent manufacturer.
5. **DO NOT USE OR STORE NEAR OPEN FLAMES, PILOT LIGHTS IN STOVES OR HEATERS, OR ANY OTHER HEAT SOURCE.** Solvents are highly flammable. Always make sure there is adequate ventilation. Extinguish all cigarettes when cleaning. Industrial applications must follow OSHA requirements.
6. **DO NOT OVERFILL THE PARTS WASHER.** Do not fill above the level of the parts tray or serious injury may occur.
7. **MATERIALS USED WHEN CLEANING MAY BE HARMFUL OR FATAL IF INHALED AND/OR SWALLOWED.** Once again, when using the tool, always make sure there is adequate ventilation. Always use a mask or respirator when close to fumes.

8. **USE EYE PROTECTION.** Solvents can cause serious eye damage . Wear ANSI approved chemical splash safety goggles. Goggles are available from Harbor Freight Tools. When cleaning, be especially careful as solvents can be forcibly ejected from fluid and air passages.
9. **DRESS SAFELY.** Protective gloves and nonskid footwear or safety shoes must be used when working with and operating the Parts Washer. Don't wear loose clothing or jewelry. They can get caught in moving parts. Also, wear a protective hair covering to prevent long hair from getting caught in the Parts Washer.
10. **DON'T OVERREACH.** Keep proper footing and balance at all times.
11. **STAY ALERT.** Watch what you are doing. Use common sense. Do not operate any tool when you are tired.
12. **CHECK DAMAGED PARTS.** Before using any tool, any part that is damaged should be carefully checked to determine that it will operate properly and perform its intended function. Check for alignment of moving parts, breakage of parts, and other conditions that may affect its operation.
13. **REPLACEMENT PARTS AND ACCESSORIES.** When servicing, use only identical replacement parts. Only use accessories intended for use with this Parts Washer. Approved accessories are available from Harbor Freight Tools.
14. **STORE IDLE EQUIPMENT.** When not in use, the Parts Washer should be cleaned and then stored, fully assembled, in a dry location to reduce rust. For safety, keep out of reach of children.
15. **MAINTAIN TOOLS WITH CARE.** Keep tools clean for better and safer performance. Follow instructions for lubricating, cleaning and changing accessories. Keep handles dry, clean and free from oil and grease.
16. **OUTDOOR EXTENSION CORDS.** When the Parts Washer is used outdoors, use only rounded jacket extensions cords intended for outside use. See manufacturer's manual for the AWG required for the compressor's amperage draw. Do not leave the Parts Washer outside for extended periods of time.
17. **DO NOT MODIFY OR JAM LID TO KEEP LOCKED IN AN OPEN POSITION.** The lid is on a fusible link and is designed to fall automatically to extinguish flames. If fire should occur, do not attempt to move parts washer.

GROUNDING INSTRUCTIONS

1. This machine has a three prong plug. The third prong (round) is the ground. Plug the machine's cord only into three-prong receptacles. Never cut off the round prong. Cutting off the ground will result in a safety hazard and void the warranty.
2. If a three-prong receptacle is not available, you may use an adapter. Extending from the male end of the adapter, you will find a ring connector or wire lead with a ring connector where the ground (round prong) would be. Remove the center screw of the outlet cover and put the screw through the ring connector and back into the hole of the outlet cover. Do not over tighten or you will crack the outlet cover.

VOLTAGE WARNING

Common household current is 110-120 volts. As long as your tool is rated from 110V-120V there will be no complications using this tool with household receptacles. If your tool is rated 220V-240V it has a completely different style of plug and must be used with a 220V-240V receptacle. Never try to plug a 110V-120V tool into a 220V-240V circuit (or vice-versa) or serious complications will arise, including possible injury to the operator. The plugs and receptacle have completely different shapes to prevent this from occurring accidentally. Do not modify your plug in any way. If you have any doubts, call a qualified electrician.

EXTENSION CORDS

Your tool has a three prong plug, therefore you must use a three- prong extension cord. Only use rounded jacket extension cords listed by the Underwriters Laboratories (UL). If you are using the tool outdoors, you must use an extension cord rated for outdoor use. This is signified by the letters "WA" on the jacket.

The extension cord must have a minimum wire size depending on the amperage of the tool and the length of the extension cord. This size is signified by its AWG (American Wire Gauge) rating. The smaller the gauge, the greater the cable's capacity. It does not matter if you are using one cord, or two or more- the total length is what is used to determine the minimum AWG rating. Every cord used must meet the AWG rating. Use the chart below to determine what AWG rating is required for your situation. Cord length is rated in feet.

AMP RATING	TOTAL EXTENSION CORD(S) LENGTH IN FEET								
	25	50	75	100	125	150	175	200	
0-10.0	18	18	16	16	14	14	12	12	A
10.1-13.0	16	16	14	14	14	12	12	12	W
13.1-15	14	14	12	12	12	12	12	—	G
15-18	14	12	12	12	12	12	—	—	

Always inspect extension cords for any damage. If there are any loose, frayed, or exposed wires; damaged insulation; or defective connections, the cord must not be used. Harbor Freight Tools can supply UL listed and outdoor rated cords in multiple AWG rating if needed.

UNPACKING

When unpacking, check to make sure the following parts are included. All sizes listed below are approximate. If any parts are missing or broken, please call Harbor Freight Tools at the number on the cover of this manual.

NO.	QTY.	DESCRIPTION
NA	1	Parts Washer and Pump Assembly
NA	1	Cord and Switch Box Assembly
NA	1	Work Shelf Assembly
7	1	Filter
9	1	Flexible Metal Spigot
10	1	Lid Handle
12	2	M5 x 12 Screw
13	2	M5 Lock Washer
14	2	M5 Nut
19	1	Cord Clamp
20	3	M4 x 8 Screw
21	3	M4 Washer
22	3	M4 Lock Washer
23	3	M4 Nut

ASSEMBLY

Lid Handle Assembly

Step 1: Get out the LID HANDLE (#10); and two each of the SCREWS (#12), Lock Washers (#13), and NUTS (#14).

Step 2: Attach HANDLE to LID (#2) as shown in Figure 1.

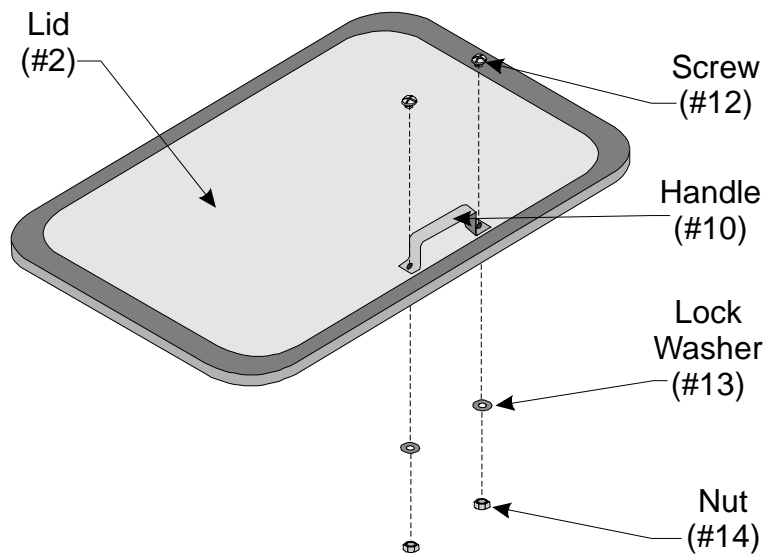


Figure 1 — Attaching Handle to Lid

Cord Clamp/Ground Wire Installation

- Step 1: As viewed from the inside, insert one SCREW (#20) through the right side of the CORD CLAMP (#19) and the inside of the TANK (#1). Make sure CORD CLAMP is covering the cord of the PUMP (#6).
- Step 2: On the outside of the TANK, put both ground wires (green with ring-ears) on the SCREW. Secure using (in the following order) a LOCK WASHER (#22), WASHER (#21), & NUT (#23).
- Step 3: Leave the other side of the CORD CLAMP unattached for now.

Switch Box Wiring and Installation

- Step 1: Make sure the black and white wires from the POWER CORD (#17) are hooked up to the bottom terminals as shown in Figure 2.
- Step 2: Connect the black and white wires from the PUMP (#6) to the top terminals in the same fashion as the ones from the POWER CORD as shown in Figure 2.

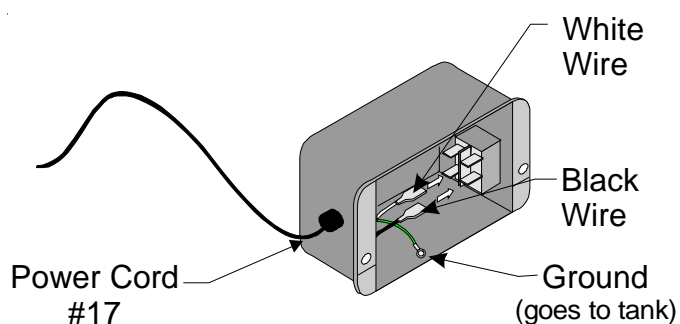


Figure 2 — Wiring Switch Box

Step 3: Attach the SWITCH BOX (#15) to the TANK (#1) using two SCREWS (#20), WASHERS (#21), LOCK WASHERS (#22), and NUTS (#23) as shown in Figure 3.

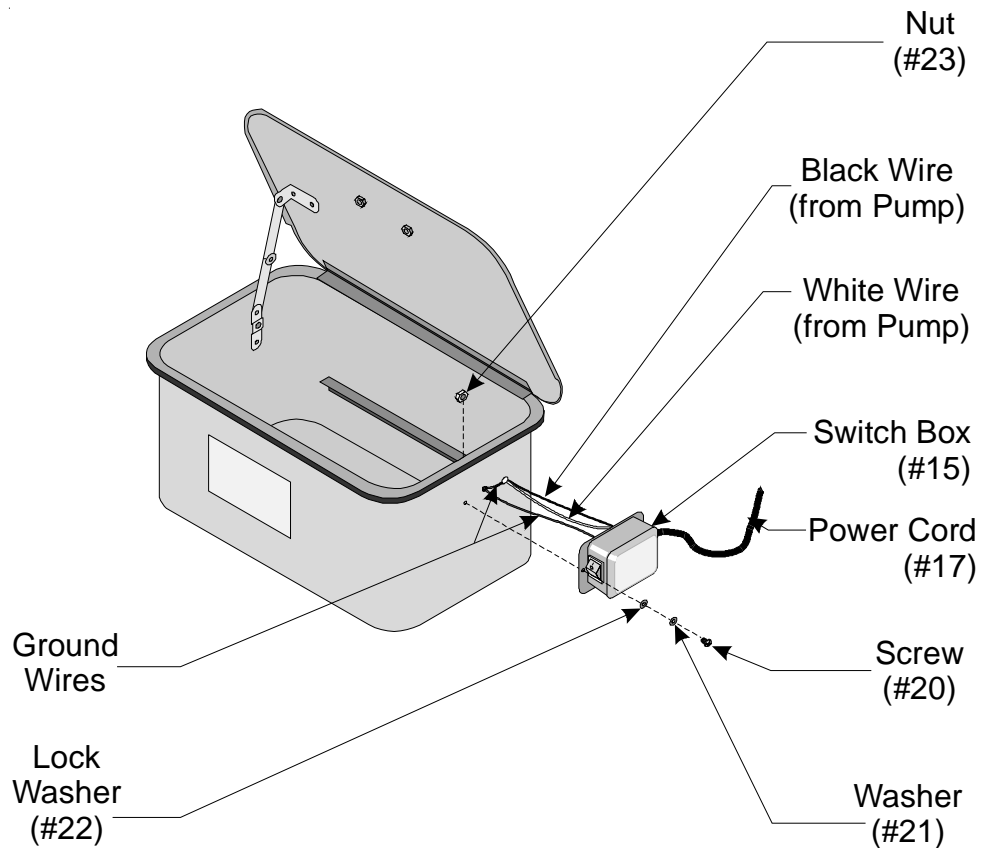


Figure 3 — Attaching the Switch Box to Tank

Step 4: When attaching the right side of the SWITCH BOX, make sure the SCREW also secures the side of the CORD CLAMP that was left unattached in Step 3, above.

Remaining Assembly

Step 1: Attach the FILTER (#7) to the PUMP (#6), as shown in Figure 4.

Step 2: Attach the SPIGOT (#9) to the PUMP, as shown in Figure 4.

Step 3: Set the PARTS TRAY (#3) in the TANK (#1).

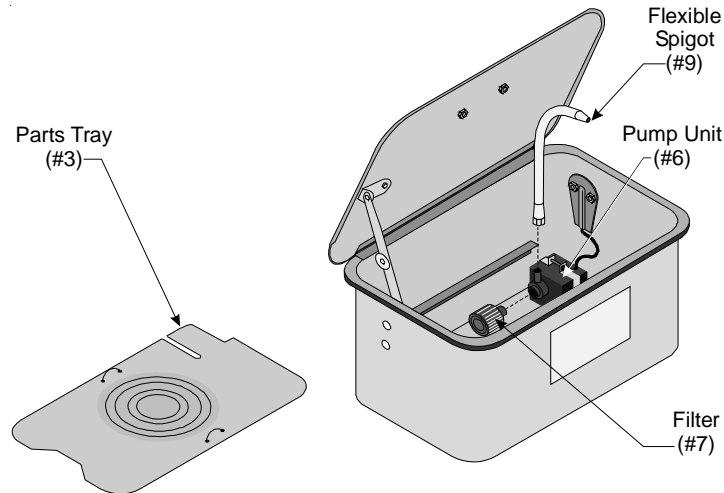


Figure 4 — Attaching the Remaining Parts

OPERATIONS

Step 1: Parts can soaked in the TANK (#1), but should not be left overnight.

Step 2: Use the PARTS SHELF (#2) when using the FLEXIBLE SPIGOT (#9) and whenever cleaning small parts.

Step 3: Do not run the PUMP (#6) when small parts are in the TANK.

Step 4: Do not run the PUMP without the FILTER (#7) attached.

Step 5: Never leave PUMP running unattended.

Step 6: Do not wash plastic parts when using petroleum based solvents.

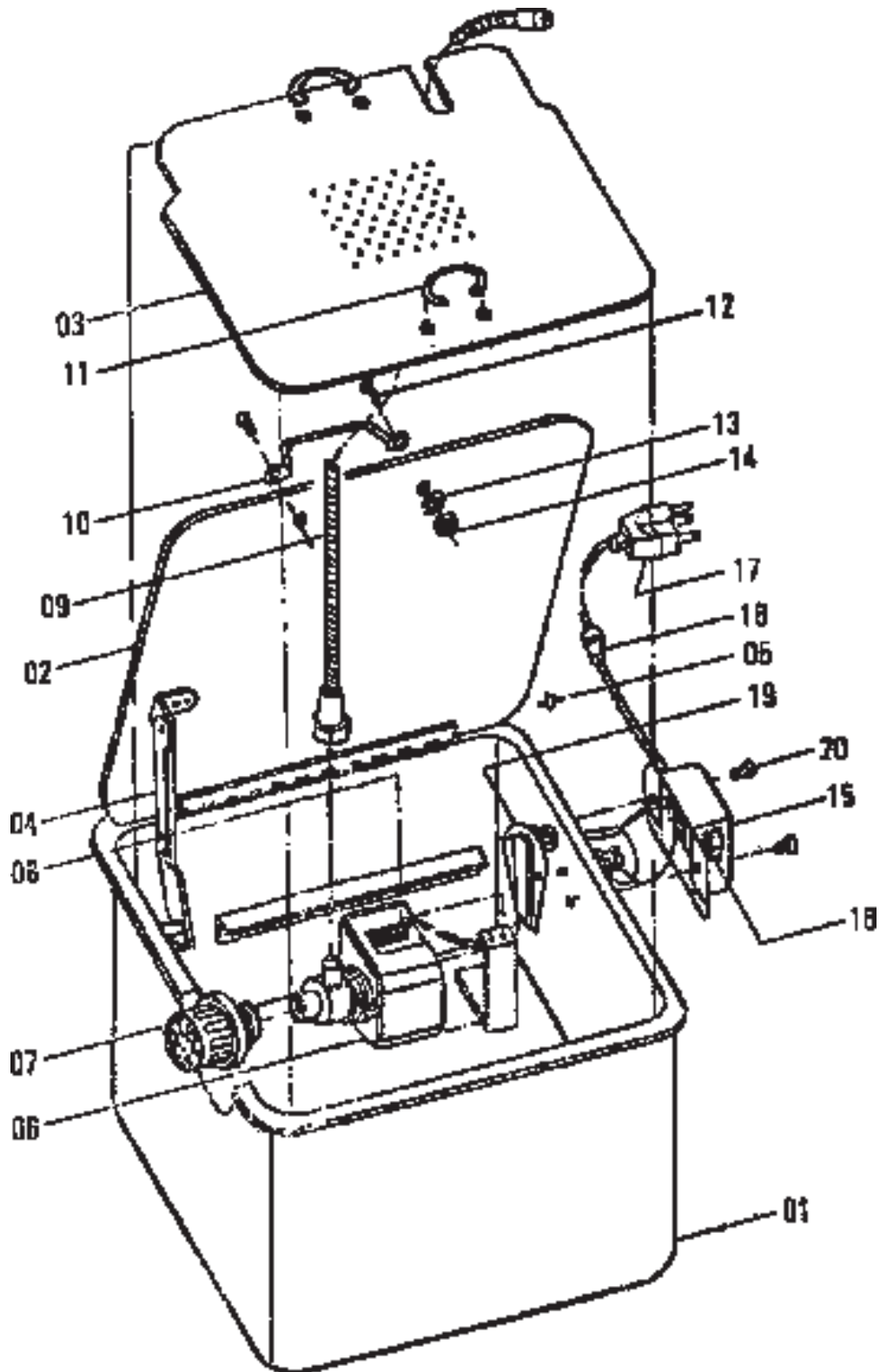
PARTS LIST

NO.	QTY.	DESCRIPTION
1	1	Tank
2	1	Lid
3	1	Parts Shelf
4	1	Fusible Link Lid Arm
5	9	Rivet
6	1	Pump
7	1	Filter
8	1	Pump Bracket
9	1	Flexible Spigot
10	1	Lid Handle
11	2	Parts Shelf Handle
12	2	M5 x 12 Screw
13	2	M5 Lock Washer
14	2	M5 Nut
15	1	Switch Box
16	1	Switch
17	1	Power Cord
18	2	Strain Relief
19	1	Cord clamp
20	3	M4 x 8 Screw
21	3	M4 Washer
22	3	M4 Lock Washer
23	3	M4 Nut

PLEASE READ THE FOLLOWING CAREFULLY

THE MANUFACTURER AND/OR DISTRIBUTOR HAS PROVIDED THE PARTS DIAGRAM IN THIS MANUAL AS A REFERENCE TOOL ONLY. NEITHER THE MANUFACTURER NOR DISTRIBUTOR MAKES ANY REPRESENTATION OR WARRANTY OF ANY KIND TO THE BUYER THAT HE OR SHE IS QUALIFIED TO MAKE ANY REPAIRS TO THE PRODUCT OR THAT HE OR SHE IS QUALIFIED TO REPLACE ANY PARTS OF THE PRODUCT. IN FACT, THE MANUFACTURER AND/OR DISTRIBUTOR EXPRESSLY STATES THAT ALL REPAIRS AND PARTS REPLACEMENTS SHOULD BE UNDERTAKEN BY CERTIFIED AND LICENSED TECHNICIANS AND NOT BY THE BUYER. THE BUYER ASSUMES ALL RISK AND LIABILITY ARISING OUT OF HIS OR HER REPAIRS TO THE ORIGINAL PRODUCT OR REPLACEMENT PARTS THERETO, OR ARISING OUT OF HIS OR HER INSTALLATION OF REPLACEMENT PARTS THERETO.

PARTS DIAGRAM



NOTE: Some parts are listed and shown for illustration purposes only and are not available individually as replacement parts.

SKU 35740

For technical questions, please call 1-800-444-3353.

REV 06/05

Page 11

Free Manuals Download Website

<http://myh66.com>

<http://usermanuals.us>

<http://www.somanuals.com>

<http://www.4manuals.cc>

<http://www.manual-lib.com>

<http://www.404manual.com>

<http://www.luxmanual.com>

<http://aubethermostatmanual.com>

Golf course search by state

<http://golfingnear.com>

Email search by domain

<http://emailbydomain.com>

Auto manuals search

<http://auto.somanuals.com>

TV manuals search

<http://tv.somanuals.com>