

CHICAGO

Electric® Power Tools

WET/DRY VACUUM, 16 GALLON, 6.5 HP

Model 96325

ASSEMBLY AND OPERATION INSTRUCTIONS



Due to continuing improvements, actual product may differ slightly from the product described herein.



3491 Mission Oaks Blvd., Camarillo, CA 93011

Visit our website at: <http://www.harborfreight.com>

**TO PREVENT SERIOUS INJURY, READ AND UNDERSTAND
ALL WARNINGS AND INSTRUCTIONS BEFORE USE.**

Copyright© 2007 by Harbor Freight Tools®. All rights reserved. No portion of this manual or any artwork contained herein may be reproduced in any shape or form without the express written consent of Harbor Freight Tools.

For technical questions or replacement parts, please call 1-800-444-3353.

SPECIFICATIONS

Electrical Requirements	120 V~ / 60 Hz
Amp Draw	10 A
Air Flow	88.3 CFM
Horsepower	6.5
Filter Dimensions	7.5" Dia. x 6.6" H
Accessories	6.8' Hose Floor Brush Crevice Tool Utility Brush Stainless Steel Canister Dust Bag Storage Box Two 19" L Extension Wands
Overall Dimensions	27.95" H x 18.11" W x 19.69" L
Weight	31 Pounds

Save This Manual

You will need this manual for the safety warnings and precautions, assembly, operating, inspection, maintenance and cleaning procedures, parts list and assembly diagram. Keep your invoice with this manual. Write the invoice number on the inside of the front cover. Write the product's serial number in the back of the manual near the assembly diagram, or write month and year of purchase if product has no number. Keep this manual and invoice in a safe and dry place for future reference.

GENERAL SAFETY RULES



READ AND UNDERSTAND ALL INSTRUCTIONS
Failure to follow all instructions listed below may result in
electric shock, fire, and/or serious injury.
SAVE THESE INSTRUCTIONS

WORK AREA

1. **Keep your work area clean and well lit.** Cluttered benches and dark areas invite accidents.
2. **Do not operate the Vacuum in explosive atmospheres, such as in the presence of flammable liquids, gases, or dust.** Vacuums can create sparks which may ignite the dust or fumes.

3. **Keep bystanders, children, and visitors away while operating the Vacuum.** Distractions can cause you to lose control. Never allow children to play with or operate the Vacuum. Protect others in the work area from debris. Provide barriers or shields as needed.

ELECTRICAL SAFETY

1. **Grounded tools must be plugged into an outlet properly installed and grounded in accordance with all codes and ordinances. Never remove the grounding prong or modify the plug in any way. Do not use any adapter plugs. Check with a qualified electrician if you are in doubt as to whether the outlet is properly grounded.** If the tools should electrically malfunction or break down, grounding provides a low resistance path to carry electricity away from the user.
2. **Double insulated tools are equipped with a polarized plug (one blade is wider than the other). This plug will fit in a polarized outlet only one way. If the plug does not fit fully in the outlet, reverse the plug. If it still does not fit, contact a qualified electrician to install a polarized outlet. Do not change the plug in any way.** Double insulation eliminates the need for the three wire grounded power cord and grounded power supply system.
3. **Avoid body contact with grounded surfaces such as pipes, radiators, ranges, and refrigerators.** There is an increased risk of electric shock if your body is grounded.
4. **Do not expose the Vacuum to rain or wet conditions.** Water entering the Vacuum Assembly will increase the risk of electric shock.
5. **Do not abuse the Power Cord. Never use the Power Cord to move the Vacuum or to pull the Plug from an outlet. Keep the Power Cord away from heat, oil, sharp edges, or moving parts. Replace damaged Power Cords immediately.** Damaged Power Cords increase the risk of electric shock.
6. **When operating the Vacuum outside, use an outdoor extension cord marked “W-A” or “W”.** These extension cords are rated for outdoor use, and reduce the risk of electric shock.

PERSONAL SAFETY

1. **Stay alert. Watch what you are doing, and use common sense when operating the Vacuum. Do not use the Vacuum while tired or under the influence of drugs, alcohol, or medication.** A moment of inattention while operating the Vacuum may result in serious personal injury.
2. **Dress properly. Do not wear loose clothing or jewelry. Contain long hair. Keep your hair, clothing, and gloves away from moving parts.** Loose clothes, jewelry, or long hair can be caught in moving parts.

3. **Avoid accidental starting. Be sure Off Button (2) is depressed before plugging in.** Plugging the Vacuum in with the On Button (3) depressed, invites accidents.
4. **Do not overreach. Keep proper footing and balance at all times.** Proper footing and balance enables better control of the Vacuum in unexpected situations.
5. **Use safety equipment. Always wear eye protection.** Dust mask, nonskid safety shoes, hard hat, or hearing protection must be used for appropriate conditions. Always wear ANSI-approved safety goggles and a dust mask/respirator when using or performing maintenance on this product.

USE AND CARE

1. **Do not force the Vacuum. Use the correct Vacuum for the application at hand.** The Vacuum will do the job better and safer at the rate for which it is designed. Do not force the Vacuum and do not use the Vacuum for a purpose for which it is not intended.
2. **Do not use the Vacuum if the On Button or the Off Button do not function properly.** Any product that cannot be turned on or off is dangerous and must be replaced.
3. **Disconnect the Power Cord Plug from the power source before making any adjustments, changing accessories, or storing the Vacuum.** Such preventive safety measures reduce the risk of starting the Vacuum accidentally. **Always unplug the Vacuum from its electrical outlet before performing any inspection, maintenance, or cleaning procedures.**
4. **Store idle tools out of reach of children and other untrained persons.** Tools are dangerous in the hands of untrained users.
5. **Maintain the Vacuum with care.** Properly cleaned and maintained Vacuums are less likely to malfunction and are easier to control. Do not use a damaged Vacuum.
6. **Check for misalignment or binding of moving parts, breakage of parts, and any other condition that may affect the Vacuum's operation. If damaged, have the Vacuum serviced before using.** Many accidents are caused by poorly maintained tools.
7. **Use only accessories that are recommended by the manufacturer for your model.** Accessories that may be suitable for one Vacuum may become hazardous when used on another Vacuum.

SERVICE

1. **Vacuum service must be performed only by qualified repair personnel.** Service or maintenance performed by unqualified personnel could result in a risk of injury.

2. **When servicing the Vacuum, use only identical replacement parts. Follow instructions in the “*Inspection, Maintenance, And Cleaning*” section of this manual.** Use of unauthorized parts or failure to follow maintenance instructions may create a risk of electric shock or injury.

SPECIFIC SAFETY RULES

1. **For Household use only.** This product is not to be used for any industrial applications.
2. **For use indoors only.** This product is not suited for use outdoors.
3. **Always install Float (15) before any wet vacuuming operation.** The Float prevents contact between the fluids and electrical parts.
4. **Maintain labels and nameplates on the Vacuum.** These carry important information. If unreadable or missing, contact Harbor Freight Tools for a replacement.
5. **Maintain a safe working environment.** Make sure there is adequate surrounding workspace.
6. **Avoid unintentional starting.** Make sure you are prepared to begin work before turning on the Vacuum.
7. **Always keep the extension cord away from moving parts on the Vacuum.**
8. **People with pacemakers should consult their physician(s) before use.** Electromagnetic fields in close proximity to heart pacemaker could cause pacemaker interference or pacemaker failure.
9. **Never lay the Vacuum Hose Suction end down until the Vacuum has come to a complete stop.** Suction can grab surrounding objects and create a safety hazard.
10. **Never leave the Vacuum unattended when it is plugged into an electrical outlet.** Turn off the Vacuum, and unplug it from its electrical outlet before leaving.
11. **Do not use the Vacuum for hazardous products.** Never use this product to vacuum liquids such as fuel, oil, acids or any hazardous chemical. Do not use this product to vacuum ashes, items that may be hot, or chemical powders.

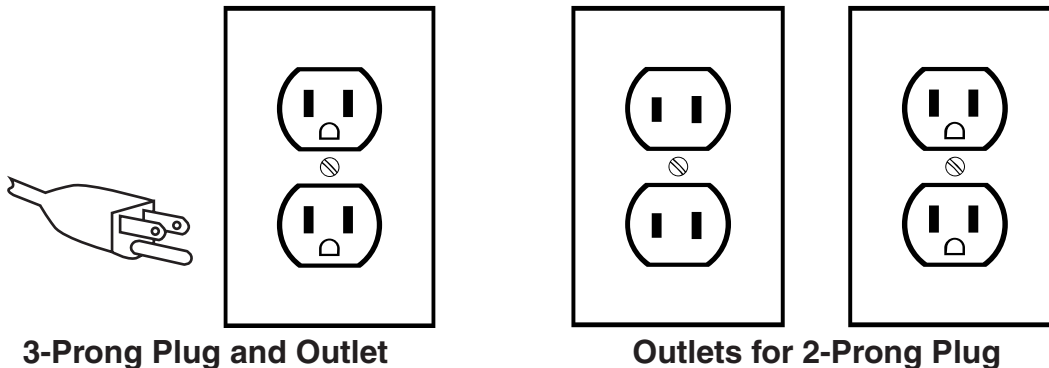
GROUNDING

 **WARNING!**

Improperly connecting the grounding wire can result in the risk of electric shock. Check with a qualified electrician if you are in doubt as to whether the outlet is properly grounded. Do not modify the power cord plug provided with the tool. Never remove the grounding prong from the plug. Do not use the tool if the power cord or plug is damaged. If damaged, have it repaired by a service facility before use. If the plug will not fit the outlet, have a proper outlet installed by a qualified electrician.

GROUNDING TOOLS: TOOLS WITH THREE PRONG PLUGS

1. Tools marked with “Grounding Required” have a three wire cord and three prong grounding plug. The plug must be connected to a properly grounded outlet. If the tool should electrically malfunction or break down, grounding provides a low resistance path to carry electricity away from the user, reducing the risk of electric shock. **(See 3-Prong Plug and Outlet.)**
2. The grounding prong in the plug is connected through the green wire inside the cord to the grounding system in the tool. The green wire in the cord must be the only wire connected to the tool’s grounding system and must never be attached to an electrically “live” terminal. **(See 3-Prong Plug and Outlet.)**
3. Your tool must be plugged into an appropriate outlet, properly installed and grounded in accordance with all codes and ordinances. The plug and outlet should look like those in the following illustration. **(See 3-Prong Plug and Outlet.)**



DOUBLE INSULATED TOOLS: TOOLS WITH TWO PRONG PLUGS

1. Tools marked “Double Insulated” do not require grounding. They have a special double insulation system which satisfies OSHA requirements and complies with the applicable standards of Underwriters Laboratories, Inc., the Canadian Standard Association, and the National Electrical Code. **(See Outlets for 2-Prong Plug.)**

2. Double insulated tools may be used in either of the 120 volt outlets shown in the preceding illustration. **(See Outlets for 2-Prong Plug.)**




EXTENSION CORDS

1. ***Grounded*** tools require a three wire extension cord. ***Double Insulated*** tools can use either a two or three wire extension cord.
2. As the distance from the supply outlet increases, you must use a heavier gauge extension cord. Using extension cords with inadequately sized wire causes a serious drop in voltage, resulting in loss of power and possible tool damage. **(See Table A.)**
3. The smaller the gauge number of the wire, the greater the capacity of the cord. For example, a 14 gauge cord can carry a higher current than a 16 gauge cord. **(See Table A.)**
4. When using more than one extension cord to make up the total length, make sure each cord contains at least the minimum wire size required. **(See Table A.)**
5. If you are using one extension cord for more than one tool, add the nameplate amperes and use the sum to determine the required minimum cord size. **(See Table A.)**
6. If you are using an extension cord outdoors, make sure it is marked with the suffix "W-A" ("W" in Canada) to indicate it is acceptable for outdoor use.
7. Make sure your extension cord is properly wired and in good electrical condition. Always replace a damaged extension cord or have it repaired by a qualified electrician before using it.
8. Protect your extension cords from sharp objects, excessive heat, and damp or wet areas.

RECOMMENDED MINIMUM WIRE GAUGE FOR EXTENSION CORDS* (120 OR 240 VOLT)					
NAMEPLATE AMPERES (at full load)	EXTENSION CORD LENGTH				
	25 Feet	50 Feet	75 Feet	100 Feet	150 Feet
0 – 2.0	18	18	18	18	16
2.1 – 3.4	18	18	18	16	14
3.5 – 5.0	18	18	16	14	12
5.1 – 7.0	18	16	14	12	12
7.1 – 12.0	18	14	12	10	-
12.1 – 16.0	14	12	10	-	-
16.1 – 20.0	12	10	-	-	-

TABLE A * Based on limiting the line voltage drop to five volts at 150% of the rated amperes.

SYMBOLGY

	Double Insulated
	Canadian Standards Association
	Underwriters Laboratories, Inc.
V~	Volts Alternating Current
A	Amperes
n ₀ xxxx/min.	No Load Revolutions per Minute (RPM)

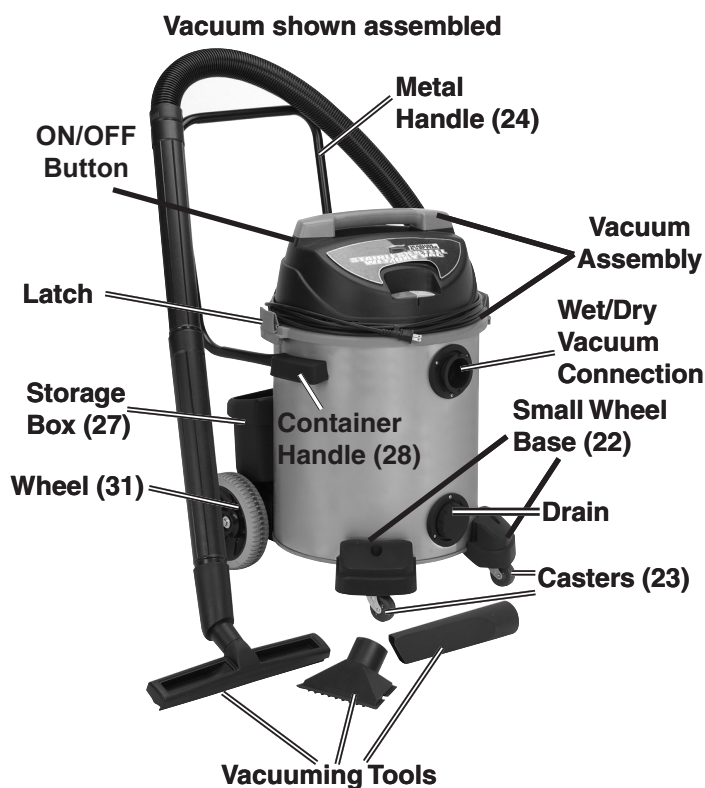
UNPACKING

When unpacking, check to make sure that the item is intact and undamaged. If any parts are missing or broken, please call Harbor Freight Tools at the number shown on the cover of this manual as soon as possible.

ASSEMBLY INSTRUCTIONS

Note: For additional information regarding the parts listed in the following pages, refer to the Assembly Diagram near the end of this manual.

1. **⚠️ WARNING!** Make sure the On/Off Button (2) is depressed and that the Vacuum is unplugged from an electrical outlet before assembling the Vacuum.
2. Install one Cap Nut (32) onto the Axle (30). Use a rubber mallet (not included) to gently tap the Cap Nut until it is firmly seated. Slide one Wheel (31) onto the Axle until it rests against the Cap Nut just attached.
3. Slide the Axle through the Large Wheel Base (29), and attach the other Wheel and Cap Nut onto the Axle as described above.
4. Press the Wheel Covers (33) onto the outside of each Wheel.
5. Align the Large Wheel Base with the bottom edge of the Canister on the opposite side from the Drain, and push down to lock the Large Wheel Base onto the Canister. Make sure both Wheels spin freely.
6. Align the Small Wheel Base (22) with the bottom edge of the Canister on the same side as the Drain and push down to lock the Small Wheel Base onto the Canister.
7. Insert Casters (23) into each side of the Small Wheel Base.
8. Push the Storage Box (27) firmly onto the top of the Large Wheel Base.
9. Slide the Metal Handle (24) into the Container Handle (28) on each side of the Canister and secure with Screws (20). Do not overtighten.



10. Place the Vacuum Assembly onto the top of the Canister, catch the edge of the Canister with the Latches, and move the Latches upward to secure. The Vacuum Assembly mechanism is located at the top part of the Vacuum Canister.
11. Connect the Hose to the inlet of the Vacuum at the Δ rotate clockwise to lock hose into position. For dry applications use the upper hose connection, and for wet applications use the lower connection.
12. Connect both Metal Tubes to the end of the Hose, and attach the appropriate attachment.
13. Make sure the Drain Cover (21) is in place whether utilizing the Vacuum for wet or dry applications. The Vacuum will not work properly without the Drain Cover in place.

OPERATION INSTRUCTIONS

Attachments

Floor Brush: The Floor Brush is designed for use in cleaning large areas, such as floors, low-pile carpets and rugs. The head of the tool rotates a full 360° for ease of use.



Floor Brush

Crevice Nozzle: The Crevice Nozzle enables the operator to vacuum in close quarters, corners, and cracks. It also works quite well when the blower function of the vacuum is being used.



Crevice Nozzle

Utility Brush: The Utility Brush is designed to excel at extracting water from surfaces and in fabrics. When clean and dry, it can also be used to vacuum furniture and carpeted surfaces.



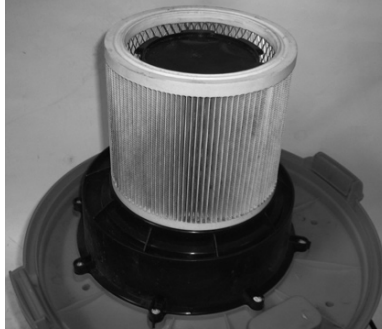
Utility Brush

HEPA Filter & Dust Bag

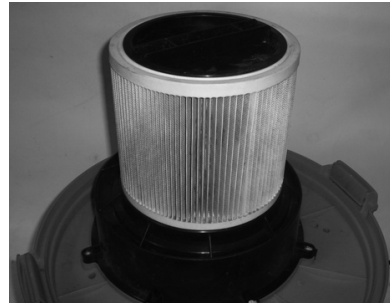
1. To install or remove the HEPA Filter (25). Remove the Vacuum Assembly from the top of the Canister (19), and turn it upside down.
2. The HEPA Filter is the prominent cylinder at the bottom of the Vacuum Assembly. The filter is held onto the HEPA Frame (16) by the HEPA Cover (26). A 1/4 turn will allow the HEPA Cover to be removed or replaced.
3. The Dust Bag is placed over the HEPA Filter for dry applications and should be cleaned following each use.



HEPA Frame (16)



HEPA Filter (25) on HEPA Frame (16)



HEPA Filter (25) on HEPA Frame (16) with HEPA Cover (26)


- The HEPA Filter should be rinsed with clean water periodically and allowed to air-dry completely before being used again. Do not use compressed air to speed up the drying process.
- The HEPA Filter should be removed before vacuuming up liquids to prevent it from becoming fouled and obstructing air-flow.

Vacuumping

Before each use, inspect the general condition of the Vacuum. Check for loose screws, misalignment or binding of moving parts, cracked or broken parts, damaged electrical wiring, and any other condition that may affect its safe operation. If abnormal noise or vibration occurs during use, turn the Vacuum off promptly and have the problem corrected before further use.

Using the Vacuum for liquids:

DANGER! Flammability Hazard: This product should never be used to vacuum up hazardous liquids, such as fuel, oil, or acid.

1. Unlatch and remove the Vacuum Assembly. Make sure the Float (15) is in place and moves freely.
2. Remove the HEPA Filter and the Dust Bag, replace the HEPA Cover, reattach the Vacuum Assembly, and connect the Hose Connection to the lower inlet.
3.  **WARNING.** Make sure the Off Button (2) is depressed before plugging the Vacuum into a standard 120V outlet.
4. Attach the Utility Brush to the end of the Hose and use the attachment to vacuum up the water.
5. When the Vacuum has reached its maximum capacity, the Float (15) will automatically shut the unit off and the Indicator Light (4) will illuminate to indicate that the unit is full.

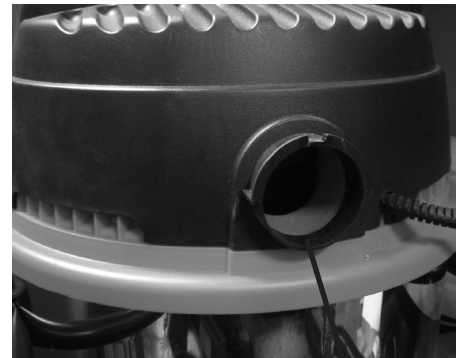
6. The Vacuum must be emptied into a proper waste fluid drain before continuing use. Remove the Drain Cover (21) to empty the Vacuum, replace the Drain Cover, and resume work.
7. It is recommended Vacuum be thoroughly rinsed with clean water after each use.

Using the Vacuum for dry applications:

1. **⚠️ WARNING!** Make sure the Off Button (2) is depressed before plugging the Vacuum into a standard 120V outlet.
2. Attach the appropriate attachment to vacuum. If the unit becomes full or clogged the Indicator Light (4) will turn on:
 - Check and change Dust Bag if necessary.
 - Clean dirt out of Hose or other accessories.
 - Clean HEPA Filter.
4. Resume job, clean Vacuum when finished.

Blower

Note: When using Vacuum as blower, special attention should be paid to safety. Always wear ANSI-approved goggles and dust mask. Clear the area of children and bystanders to make sure they are not harmed by flying dirt or debris.



Blower Port

1. Connecting the Hose to the Exhaust allows the Vacuum to be used as a blower.
2. Find blower port at back of Assembly Cover (5).
3. Connect the desired attachment, and push the On Button (3)
4. Clean the desired area, push the Off Button (2), and clean the Vacuum.

INSPECTION, MAINTENANCE, AND CLEANING

1. **⚠️ WARNING!** Make sure the Off Button (2) is depressed and that the Vacuum is unplugged from its electrical outlet before performing any inspection, maintenance, or cleaning procedures.
2. **BEFORE EACH USE**, inspect the general condition of the Vacuum. Check for loose screws, misalignment or binding of moving parts, cracked or broken parts, damaged electrical wiring, and any other condition that may affect its safe operation. If abnormal noise or vibration occurs, have the problem corrected before further use. **Do not use damaged equipment.**

- After each use, empty the Canister (19), and wash with warm, soapy water. Wipe out with clean, dry cloth.

TROUBLESHOOTING

Problem	Probable Solutions
Power Switch does not turn unit on.	<ol style="list-style-type: none"> Make sure power cord is plugged into a working 120 Volt, grounded, electrical outlet. Canister is full. Empty Canister. Have a qualified service technician check out the power switch, wiring, and motor.
Unit shuts down during use.	<ol style="list-style-type: none"> Canister is full. Empty Canister. Prolonged use may cause temporary overheating of motor. Turn unit off, and allow unit to cool down before restarting.
Unit has suction, but does not clean when hose or other attachments are connected.	<ol style="list-style-type: none"> Hose and/or attachment may be cracked or damaged. Replace hose and/or attachment. Hose and/or attachment may be clogged. Remove hose and attachment from suction port and connect to blower port. Then, blow out the hose and attachment.
Unit has no suction.	<ol style="list-style-type: none"> Thoroughly clean suction/blower ports, HEPA filter, and dust bag.
Dust comes from the motor cover.	<ol style="list-style-type: none"> Dust bag missing or damaged. Install or replace dust bag. HEPA Filter full. Clean filter and allow to dry completely before continuing use.

PLEASE READ THE FOLLOWING CAREFULLY

THE MANUFACTURER AND/OR DISTRIBUTOR HAS PROVIDED THE PARTS LIST AND ASSEMBLY DIAGRAM IN THIS MANUAL AS A REFERENCE TOOL ONLY. NEITHER THE MANUFACTURER OR DISTRIBUTOR MAKES ANY REPRESENTATION OR WARRANTY OF ANY KIND TO THE BUYER THAT HE OR SHE IS QUALIFIED TO MAKE ANY REPAIRS TO THE PRODUCT, OR THAT HE OR SHE IS QUALIFIED TO REPLACE ANY PARTS OF THE PRODUCT. IN FACT, THE MANUFACTURER AND/OR DISTRIBUTOR EXPRESSLY STATES THAT ALL REPAIRS AND PARTS REPLACEMENTS SHOULD BE UNDERTAKEN BY CERTIFIED AND LICENSED TECHNICIANS, AND NOT BY THE BUYER. THE BUYER ASSUMES ALL RISK AND LIABILITY ARISING OUT OF HIS OR HER REPAIRS TO THE ORIGINAL PRODUCT OR REPLACEMENT PARTS THERETO, OR ARISING OUT OF HIS OR HER INSTALLATION OF REPLACEMENT PARTS THERETO.

Record Product's Serial Number Here: _____

Note: If product has no serial number, record month and year of purchase instead.

Note: Some parts are listed and shown for illustration purposes only, and are not available individually as replacement parts.

LIMITED 1 YEAR / 90 DAY WARRANTY

Harbor Freight Tools Co. makes every effort to assure that its products meet high quality and durability standards, and warrants to the original purchaser that for a period of one year from date of purchase that the tank is free of defects in materials and workmanship (90 days if used by a professional contractor or if used as rental equipment). Harbor Freight Tools also warrants to the original purchaser, for a period of ninety days from date of purchase, that all other parts and components of the product are free from defects in materials and workmanship. This warranty does not apply to damage due directly or indirectly to misuse, abuse, negligence or accidents, repairs or alterations outside our facilities, normal wear and tear, or to lack of maintenance. We shall in no event be liable for death, injuries to persons or property, or for incidental, contingent, special or consequential damages arising from the use of our product. Some states do not allow the exclusion or limitation of incidental or consequential damages, so the above limitation of exclusion may not apply to you. THIS WARRANTY IS EXPRESSLY IN LIEU OF ALL OTHER WARRANTIES, EXPRESS OR IMPLIED, INCLUDING THE WARRANTIES OF MERCHANTABILITY AND FITNESS.

To take advantage of this warranty, the product or part must be returned to us with transportation charges prepaid. Proof of purchase date and an explanation of the complaint must accompany the merchandise. If our inspection verifies the defect, we will either repair or replace the product at our election or we may elect to refund the purchase price if we cannot readily and quickly provide you with a replacement. We will return repaired products at our expense, but if we determine there is no defect, or that the defect resulted from causes not within the scope of our warranty, then you must bear the cost of returning the product.

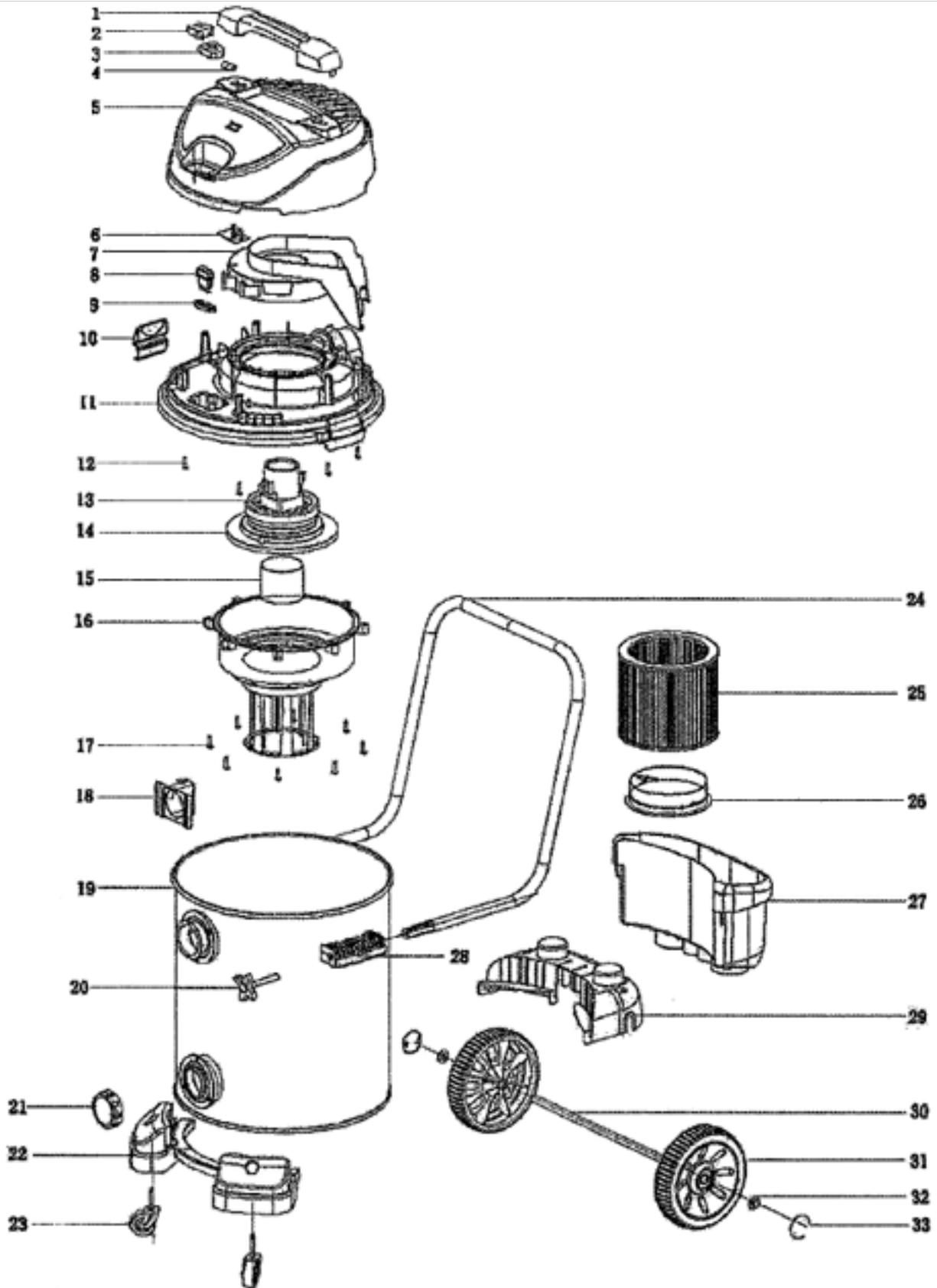
This warranty gives you specific legal rights and you may also have other rights which vary from state to state.

3491 Mission Oaks Blvd. • PO Box 6009 • Camarillo, CA 93011 • (800) 444-3353

PARTS LIST

Part	Description	Qty	Part	Description	Qty
1	Top Handle	1	18	Hose Connection	1
2	Off Button	1	19	Canister	1
3	On Button	1	20	Screw	2
4	Indicator Light	1	21	Drain Cover	1
5	Vacuum Assembly Cover	1	22	Small Wheel Base	1
6	Circuit Board	1	23	Caster	2
7	Thermal Baffle	1	24	Metal Handle	1
8	Power Actuator	1	25	HEPA Filter	1
9	Holder Plate	1	26	Hepa Cover	1
10	Latch	2	27	Storage Box	1
11	Vacuum Assembly Bottom	1	28	Container Handle	2
12	Screw	6	29	Large Wheel Base	1
13	Motor	1	30	Axle	1
14	Motor Frame	1	31	Wheel	2
15	Float	1	32	Cap Nut	2
16	HEPA Frame	1	33	Wheel Cover	2
17	Screw	8			

ASSEMBLY DIAGRAM



Free Manuals Download Website

<http://myh66.com>

<http://usermanuals.us>

<http://www.somanuals.com>

<http://www.4manuals.cc>

<http://www.manual-lib.com>

<http://www.404manual.com>

<http://www.luxmanual.com>

<http://aubethermostatmanual.com>

Golf course search by state

<http://golfingnear.com>

Email search by domain

<http://emailbydomain.com>

Auto manuals search

<http://auto.somanuals.com>

TV manuals search

<http://tv.somanuals.com>