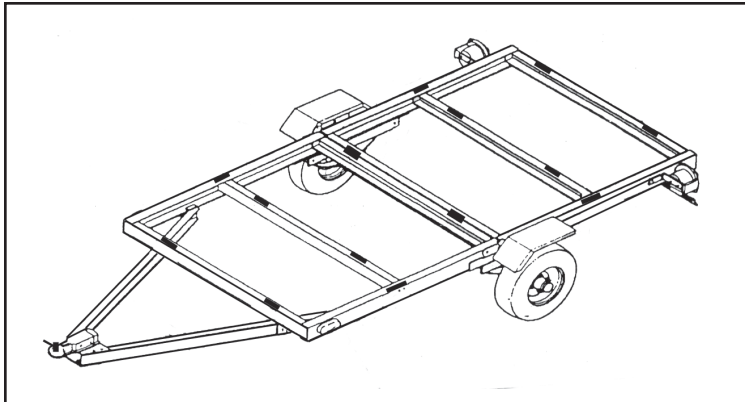


HEAVY DUTY TRAILER

MODEL 40597

ASSEMBLY AND OPERATING INSTRUCTIONS



WARNING! IMPORTANT INFORMATION

This trailer's Hitch Coupler **MUST** be properly secured to the hitch ball of the towing vehicle. After assembly and attachment, pull up and down on the Hitch Coupler to make sure the hitch ball is fitting snugly in the Hitch Coupler. **There must be no play between the hitch ball and Hitch Coupler.** If there is play, tighten the Adjustment Nut until no play is present. If the Adjustment Nut is too tight, the Handle will not lock. **Carefully read and follow the complete instructions in this manual BEFORE setup or use.**

If the Coupler is not secured properly, the ball could come loose while the trailer is in motion, possibly causing property damage, SERIOUS PERSONAL INJURY, or DEATH.



3491 Mission Oaks Blvd., Camarillo, CA 93011
Visit our Web site at <http://www.harborfreight.com>

Copyright© 2003 by Harbor Freight Tools®. All rights reserved. No portion of this manual or any artwork contained herein may be reproduced in any shape or form without the express written consent of Harbor Freight Tools.

For technical questions, please call 1-800-444-3353.

REV 10/04

PRODUCT SPECIFICATIONS

Item	Description
Maximum Weight Capacity	1800 Pounds
Electrical Requirements	12 Volt DC Tail Light
Bed Dimensions	96" L x 48-1/2" W
Hitch Ball Size	2"
Lights	Tail, Signal, and Side Markers
Fenders	15 Gauge Formed Steel
Frame	11 Gauge Steel
Color/Finish	Red/Enamel
Overall Length	138-1/4"
Overall Width	66-1/8"
D.O.T. Approved	Yes

SAVE THIS MANUAL

You will need this manual for the safety warnings and precautions, assembly, operating, inspection, maintenance and cleaning procedures, parts list and assembly diagram. Keep your invoice with this manual. Write the invoice number on the inside of the front cover. Keep this manual and invoice in a safe and dry place for future reference.

GENERAL SAFETY WARNINGS AND PRECAUTIONS

1. **KEEP WORK AREA CLEAN AND DRY.** Cluttered, damp, or wet work areas invite injuries.
2. **KEEP CHILDREN AWAY FROM WORK AREA.** Do not allow children to handle this product.
3. **STORE IDLE EQUIPMENT.** When not in use, tools and equipment should be stored in a dry location to inhibit rust. Always lock up tools and equipment, and keep out of reach of children.
4. **DO NOT USE THIS PRODUCT IF UNDER THE INFLUENCE OF ALCOHOL OR DRUGS.** Read warning labels on prescriptions to determine if your judgement or

reflexes are impaired while taking drugs. If there is any doubt, do not attempt to use this product.

5. **USE EYE PROTECTION.** Wear ANSI approved safety impact eye goggles when assembling this product. ANSI approved safety impact eye goggles are available from Harbor Freight Tools.
6. **DRESS SAFELY.** Do not wear loose clothing or jewelry, as they can become caught in moving parts. Wear a protective hair covering to prevent long hair from becoming caught in moving parts. If wearing a long-sleeve shirt, roll sleeves up above elbows.
7. **DO NOT OVERREACH.** Keep proper footing and balance at all times to prevent tripping, falling, back injury, etc.
8. **INDUSTRIAL APPLICATIONS MUST FOLLOW OSHA REQUIREMENTS.**
9. **STAY ALERT.** Watch what you are doing at all times. Use common sense. Do not use this product when you are tired or distracted from the job at hand.
10. **CHECK FOR DAMAGED PARTS.** Before using this product, carefully check that it will operate properly and perform its intended function. Check for damaged parts and any other conditions that may affect the operation of this product. Replace or repair damaged or worn parts immediately.
11. **REPLACEMENT PARTS AND ACCESSORIES:** When servicing, use only identical replacement parts. Only use accessories intended for use with this product. Approved accessories are available from Harbor Freight Tools.
12. **MAINTAIN THIS PRODUCT WITH CARE.** Keep this product clean and dry for better and safer performance.
13. **MAINTENANCE:** For your safety, service and maintenance should be performed regularly by a qualified technician.
14. **USE THE RIGHT TOOL FOR THE JOB.** Do not attempt to force small equipment to do the work of larger industrial equipment. There are certain applications for which this equipment was designed. It will do the job better and more safely at the capacity for which it was intended. Do not modify this equipment, and do not use this equipment for a purpose for which it was not intended.
15. **WARNING:** The warnings, precautions, and instructions discussed in this manual cannot cover all possible conditions and situations that may occur. The operator must understand that common sense and caution are factors, which cannot be built into this product, but must be supplied by the operator.

SPECIFIC PRODUCT WARNINGS AND PRECAUTIONS

1. **TO AVOID PERSONAL INJURY AND/OR PROPERTY DAMAGE, DO NOT EXCEED THE TRAILER'S MAXIMUM WEIGHT CAPACITY OF 1,800 POUNDS.**
2. **BEFORE EACH USE, ALWAYS EXAMINE THE TRAILER FOR PROPER TIRE (part #81) AIR PRESSURE, DAMAGED TAIL LIGHTS (parts #80, #82), DAMAGED SIDE RUNNING LIGHTS (part #83), LOOSE BOLTS AND NUTS, STRUCTURAL CRACKS, BENDS, AND ANY OTHER CONDITION THAT MAY AFFECT ITS SAFE OPERATION.** Do not use the Trailer even if minor damage appears.
3. **NEVER ALLOW ADULTS, CHILDREN, OR PETS TO RIDE IN THE TRAILER.**
4. **BEFORE EACH USE, ALWAYS ATTACH THE SAFETY CHAIN (part #11) OF THE TRAILER TO THE TOWING VEHICLE.** Make sure the Safety Chain is attached to the towing vehicle with the same length for each side. Do not allow the Safety Chain to drag on the ground.
5. **ALWAYS CHECK TO MAKE SURE THE PAYLOAD BEING TRANSPORTED IS PROPERLY AND SAFELY SECURED IN THE TRAILER.** Load the Trailer evenly from side to side with 60% of the load forward of the Axle (part #9).
6. **MAKE SURE THE TOWING VEHICLE IS CAPABLE OF TOWING THE TRAILER AND ITS PAYLOAD.** Make sure the hitch on the towing vehicle is capable of towing the Trailer and its payload. The towing capacity of the hitch is typically stamped on the hitch drawbar.
7. **MAKE SURE THE COUPLER (part #1) AND THE VEHICLE'S HITCH BALL (not included) ARE OF EQUAL MATING SIZE (2") AND ARE RATED EQUAL TO OR GREATER THAN THE WEIGHT OF THE TRAILER AND ITS PAYLOAD.**
8. **DO NOT EXCEED 45 MILES PER HOUR WHEN TOWING THE TRAILER.** Excess speed is a major cause of vehicle-trailer accidents.
9. **THE TAIL LIGHT BULBS SUPPLIED WITH THIS TRAILER ARE FOR A 12 VOLT DC ELECTRICAL SYSTEM ONLY.** Do not attempt to power the Light Bulbs with any other type or voltage electrical current.
10. **WHENEVER POSSIBLE, PARK THE TRAILER ON A FLAT, LEVEL, PAVED, SURFACE AND CHOCK BOTH TIRES TO KEEP THE TRAILER FROM ACCIDENTLY MOVING.**

11. **TRAILER LICENSING NOTICE:** Some states may consider this Trailer a vehicle requiring registration, licensing, and titling. Check with your State Department of Motor Vehicles for information and guidance on registering, licensing, and titling the Trailer.
12. **MAINTAIN LABELS AND NAMEPLATES ON THE TRAILER.** These carry important information. If unreadable or missing, contact Harbor Freight Tools for a replacement.

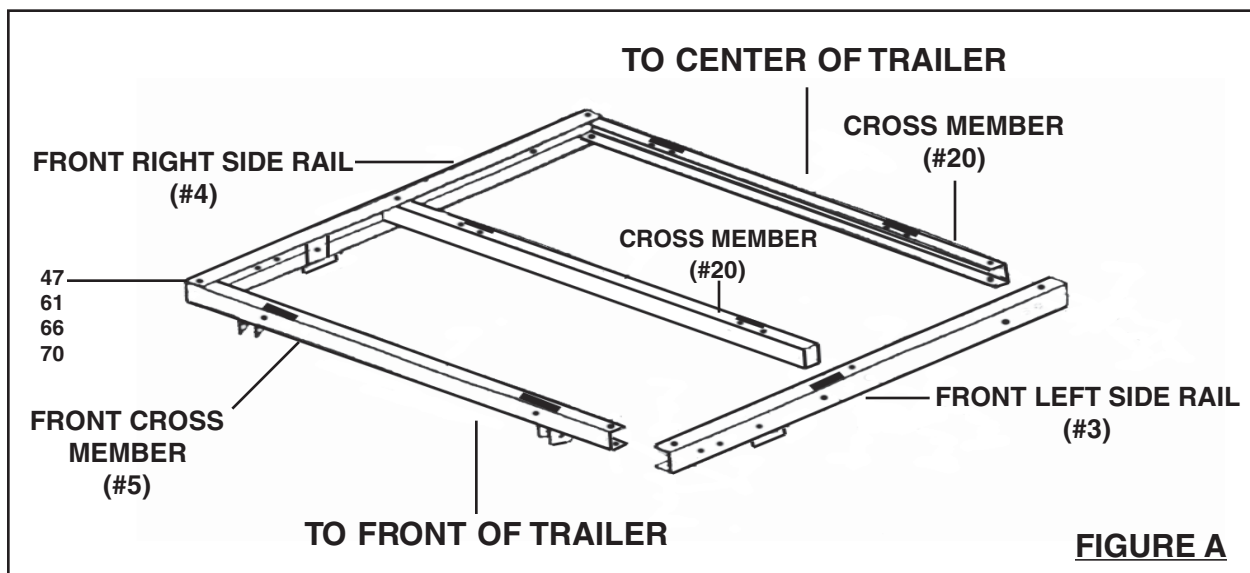
UNPACKING

When unpacking, check to make sure all the parts shown on the **Parts List (page 19)** are included. If any parts are missing or broken, please call Harbor Freight Tools at the number shown on the cover of this manual as soon as possible.

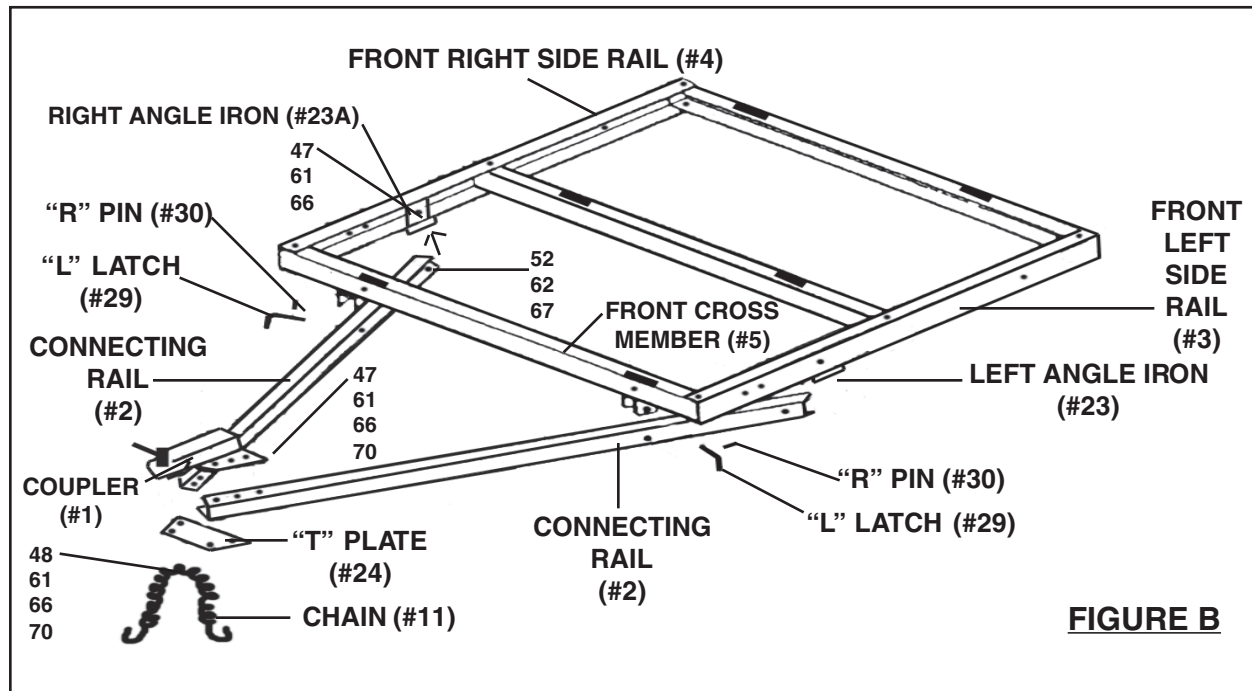
ASSEMBLY INSTRUCTIONS

NOTE: For additional references to the parts listed on the following pages, refer to the **Assembly Diagram (page 20)**.

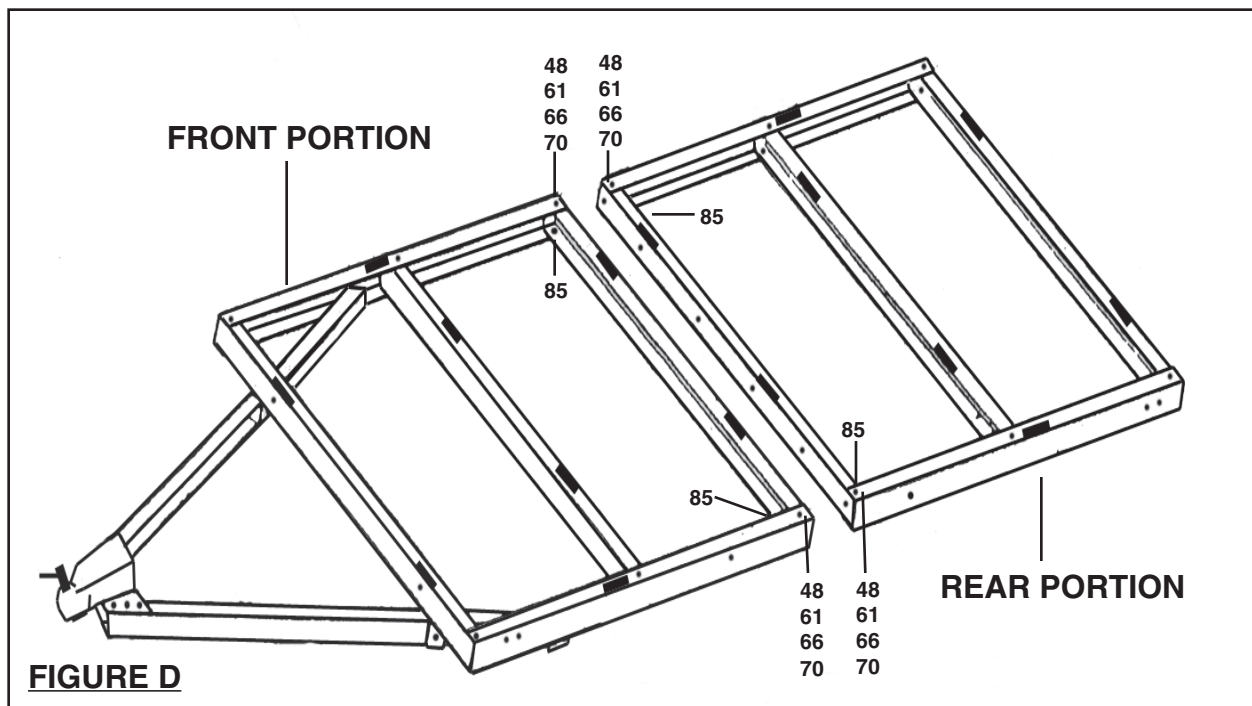
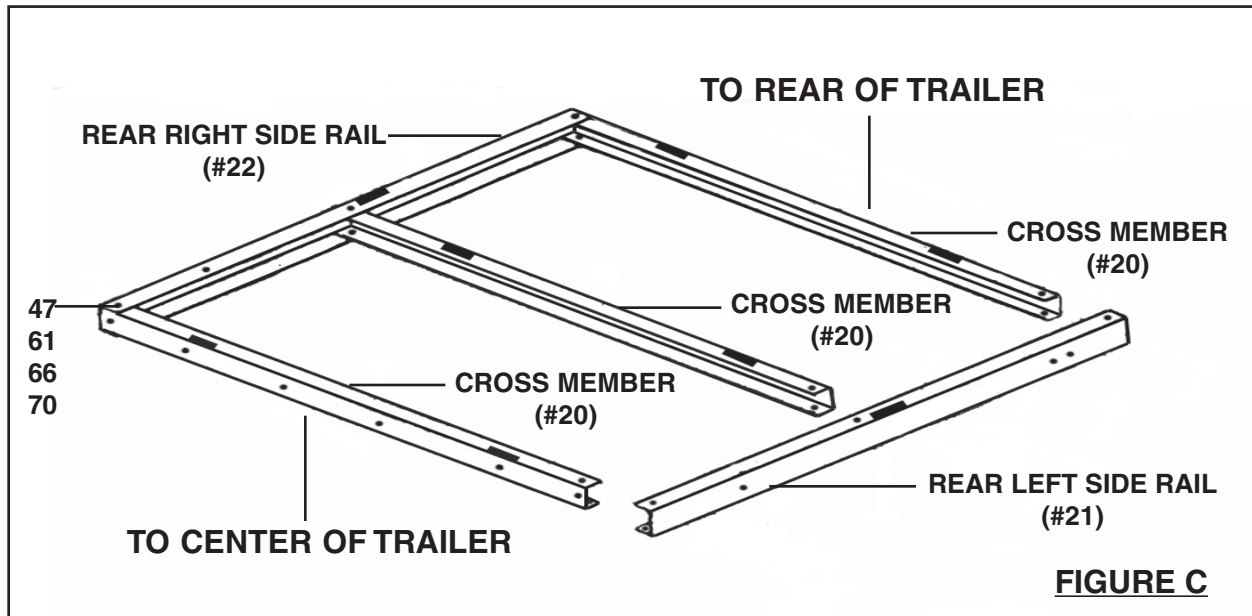
1. On a flat, level, surface, lay out *one* Front Left Side Rail (part #3), *one* Front Right Side Rail (part #4), *one* Front Cross Member (part #5), and *two* Cross Members (part #20). Assemble the parts, using the Bolts (part #47), Flat Washers (part #70), Spring Washers (part #66), and Nuts (part #61). **(See Figure A.)**



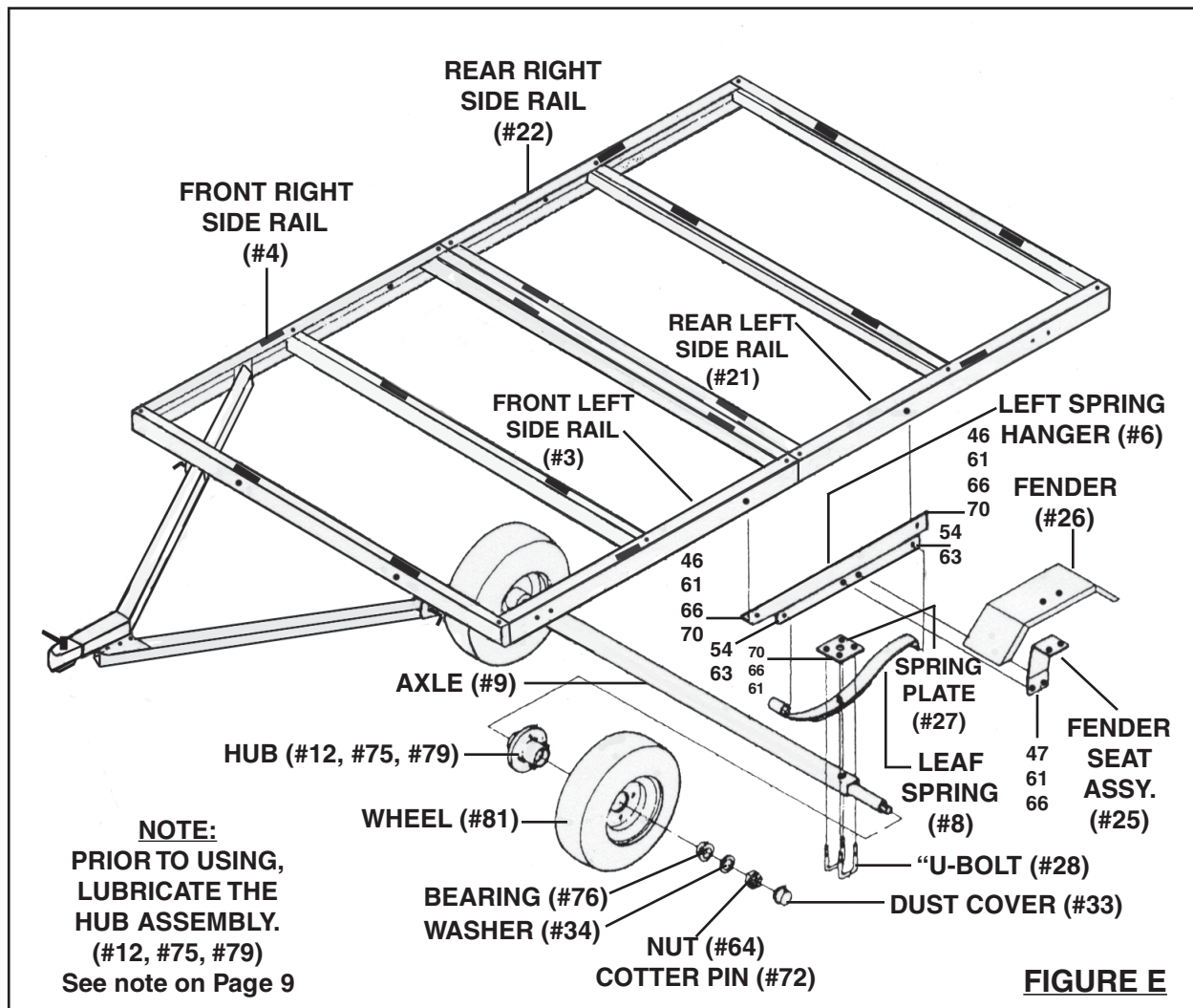
2. Attach the Right Angle Iron (part #23A) to the Front Right Side Rail (part #4) and attach the Left Angle Iron (part #23) to the Front Left Side Rail (part #3), using the Bolts (part #52), Spring Washers (part #67), and Nuts (part #62). **(See Figure B.)**
3. Attach one Connecting Rail (part #2) to the Front Left Side Rail (part #3) and another Connecting Rail to the Front Right Side Rail (part #4), using the Bolts (part #47), Spring Washers (part #66), and Nuts (part #61). **(See Figure B.)**
4. Insert the two "L" Latches (part #29) through the two Connecting Rails (part #2) and Front Cross Member (part #5). Secure the "L" Latches using the two "R" Pins (part #30). **(See Figure B.)**
5. Attach the "T" Plate (part #24), Chain (part #11), and Coupler (part #1) to the two Connecting Rails (part #2), using the Bolts (part #48), Flat Washers (part #70), Spring Washers (part #66), and Nuts (part #61). **(See Figure B.)**



6. Lay out *one* Rear Left Side Rail (part #21), *one* Rear Right Side Rail (part #22), and *three* Cross Members (part #20). Assemble the parts, using the Bolts (part #47), Flat Washers (part #70), Spring Washers (part #66), and Nuts (part #61). **(See Figure C, next page.)**
7. Assemble the front portion and the rear portion of the Trailer, using the Bolts (part #48) on the *top* flanges, the Bolts (part #85) on the *lower* flanges, Flat Washers (part #70), Spring Washers (part #66), and Nuts (part #61). **(See Figure D, next page.)**



- Attach the Left Spring Hanger (part #6) to the Front and Rear Left Side Rails (parts #3, #21), using the Bolts (part #46), Flat Washers (part #70), Spring Washers (part #66), and Nuts (part #61). Then, attach the Right Spring Hanger (part #7) to the Front and Rear Right Side Rails (parts #4, #22), using the Bolts (part #46), Flat Washers (part #70), Spring Washers (part #66), and Nuts (part #61). (See Figure E, next page.)

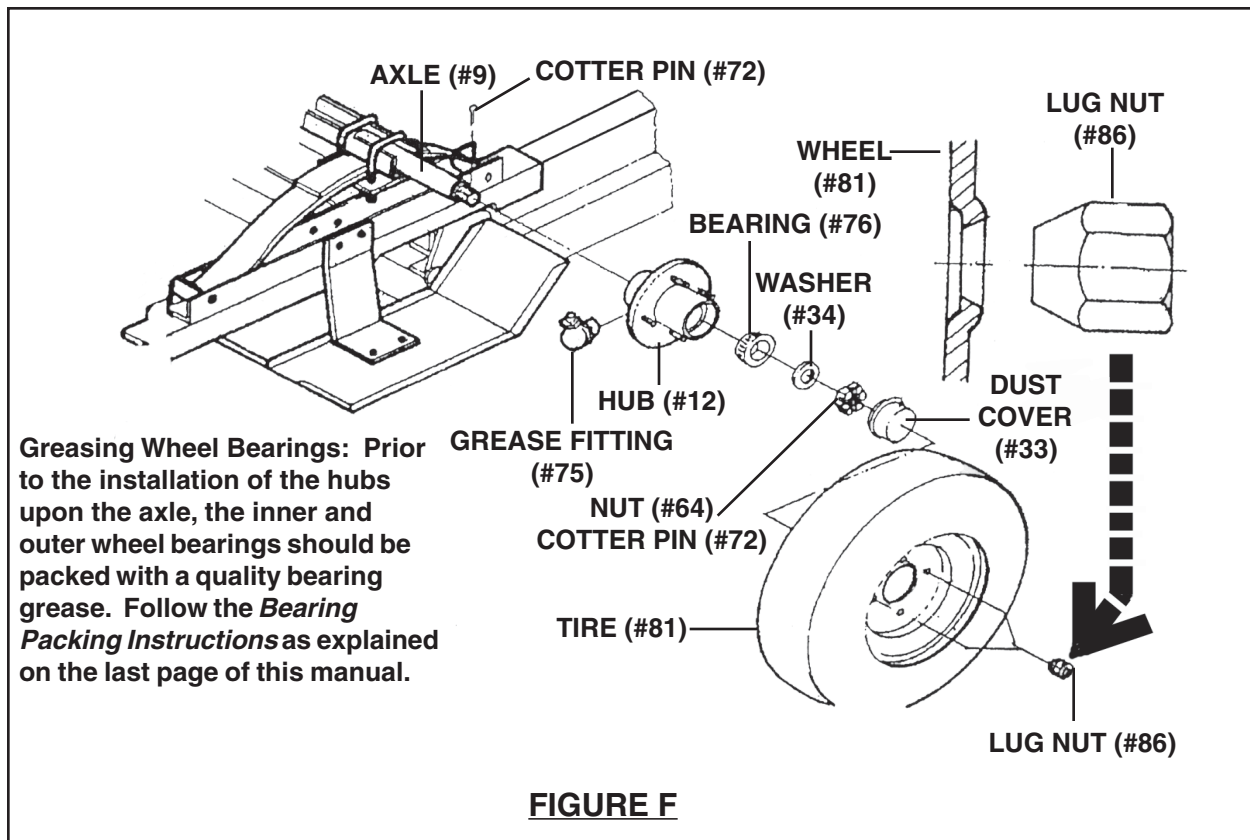


9. Attach the two Fender Seats (part #25) to the Left and Right Spring Hangers (parts #6, #7), using the Bolts (part #47), Spring Washers (part #66), and Nuts (part #61). Then attach the two Fenders (part #26) to the two Fender Seats, using the Bolts (part #47), Spring Washers (part #66), and Nuts (part #61). **(See Figure E.)**

10. Attach the two Leaf Springs (part #8) to the Left and Right Spring Hangers (parts #6, #7), using the Bolts (part #54), and Nylon Nuts (part #63). Insert a Cotter Pin (part #72) through the holes in the end of the Bolts and spread the Cotter Pins. **(See Figure E.)**

11. ***With assistance, turn the Trailer upside down.*** Place the Axle (part #9) on top of both Leaf Springs (part #8). Place the two Spring Plates (part #27) below the Leaf Springs. On each end of the Axle, insert two U-Bolts (part #28) downward over the Axle and through the mounting holes in each of the Spring Plates. Then secure the Axle and Leaf Springs, using Flat Washers (part #70), Spring Washers (part #66), and Nuts (part #61). **(See Figure F, next page.)**

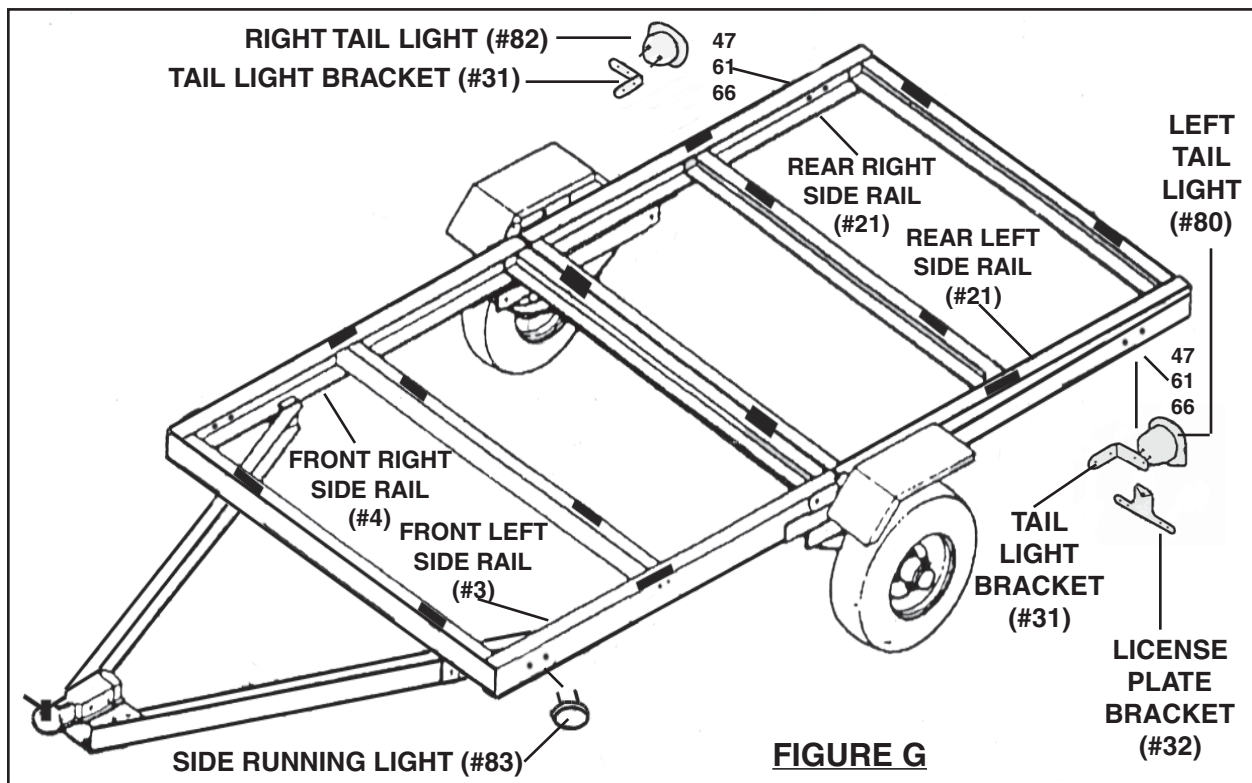
12. Insert a Hub (part #12) onto the spindle at each end of the Axle (part #9). Insert the Bearings (part #76) onto the spindles of both ends of the Axle. Insert a Washer (part #34) onto each spindle of the Axle. Then secure the Hub and Bearing assemblies, using the Nuts (part #64). **(See Figure F.)**
13. **NOTE:** Back the Nuts (part #64) off slightly so the Hubs (part #12) can just move freely. Insert a Cotter Pin (part #72) through the hole in the ends of the spindles of the Axle (part #9) and spread the Cotter Pins. **(See Figure F.)**



14. Place a Wheel/Tire Assembly (part #81) onto each Hub (part #12). Secure each Wheel/Tire assembly firmly to the Hubs, using the Lug Nuts (part #86)
NOTE: Make sure the Lug Nuts are torqued to at least **90 Ft.-Lbs.**
15. ***With assistance, turn the Trailer right side up and allow its Tires (part #81) to rest on the floor/ground surface.***
16. Remove the Lens from a Side Running Light (part #83). Insert the Wire Lead of the Side Running Light through the center hole of the Front Left Side Rail (part #3). Attach the Side Running Light to the Front Left Side Rail, using the Self Tapping Screws provided with the Wiring Harness (part #84) kit.

Then, reattach the Lens to the Side Running Light. Repeat this Step for the remaining Side Running Light and the Front Right Side Rail (part #4).
(See Figure G.)

17. Attach a Tail Light Bracket (part #31) to the Rear Left Side Rail (part #21), using the Bolts (part #47), Spring Washers (part #66), and Nuts (part #61). Then, repeat this Step to attach the remaining Tail Light Bracket to the Rear Right Side Rail (part #22). **(See Figure G.)**
18. Attach the License Plate Bracket (part #32) and Left Tail Light (part #80) to the Tail Light Bracket (part #31) on the Rear Left Side Rail (part #21), using the Bolts (part #47), Spring Washers (part #66), and Nuts (part #61). **(See Figure G.)**
19. Attach the Right Tail Light (part #82) to the Tail Light Bracket (part #31) on the Rear Right Side Rail (part #22), using the Bolts (part #47), Spring Washers (part #66), and Nuts (part #61). **(See Figure G.)**

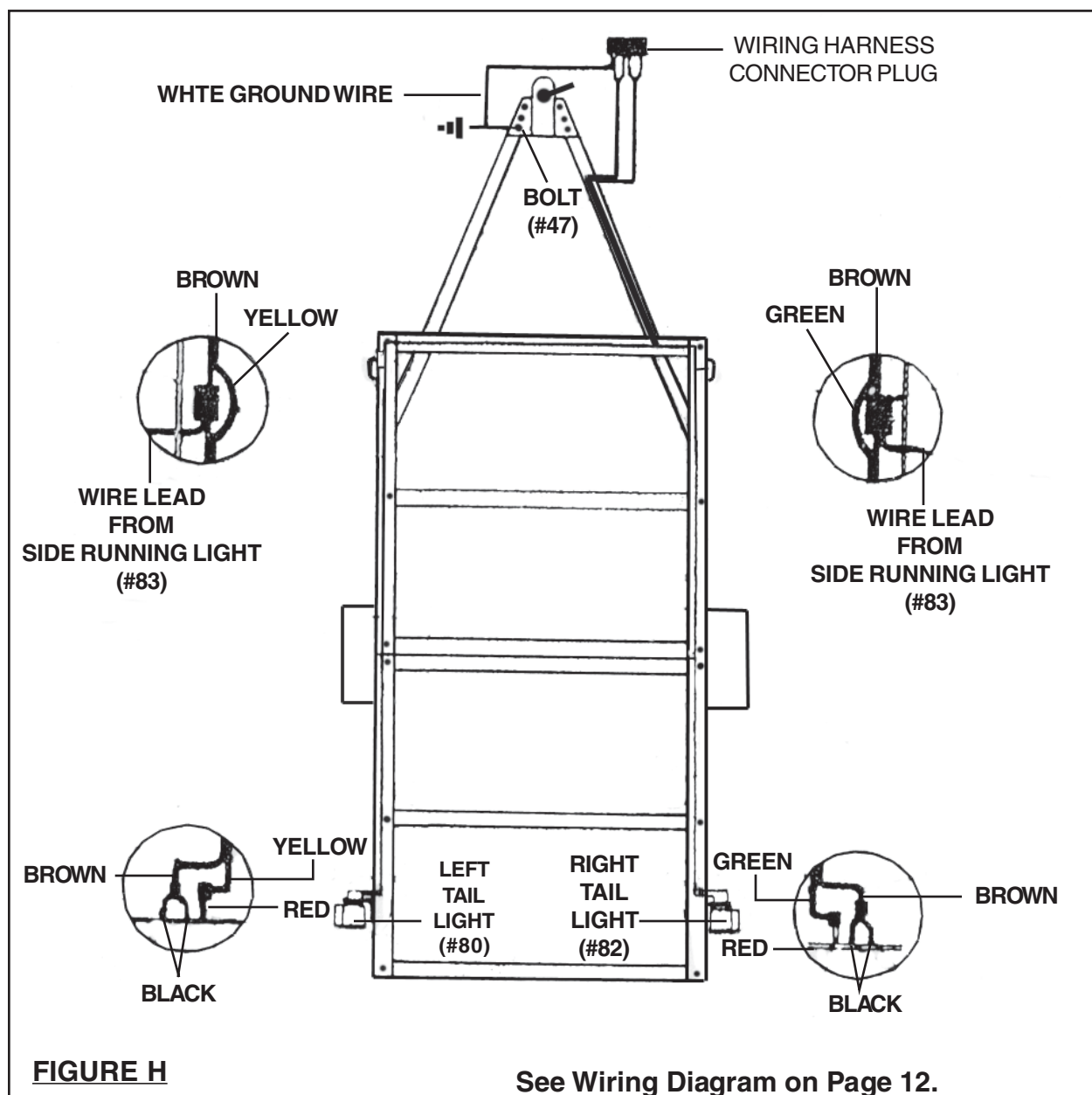


20. To install the Wiring Harness (part #84), temporarily loosen one Bolt (part #47) that is located on the Coupler (part #1). To ground the Wiring Harness, bare about 1" of the end of the White Ground Wire to expose its copper strands. Wrap the exposed copper strands around and under the head of the loose Bolt. Then, retighten the Bolt.

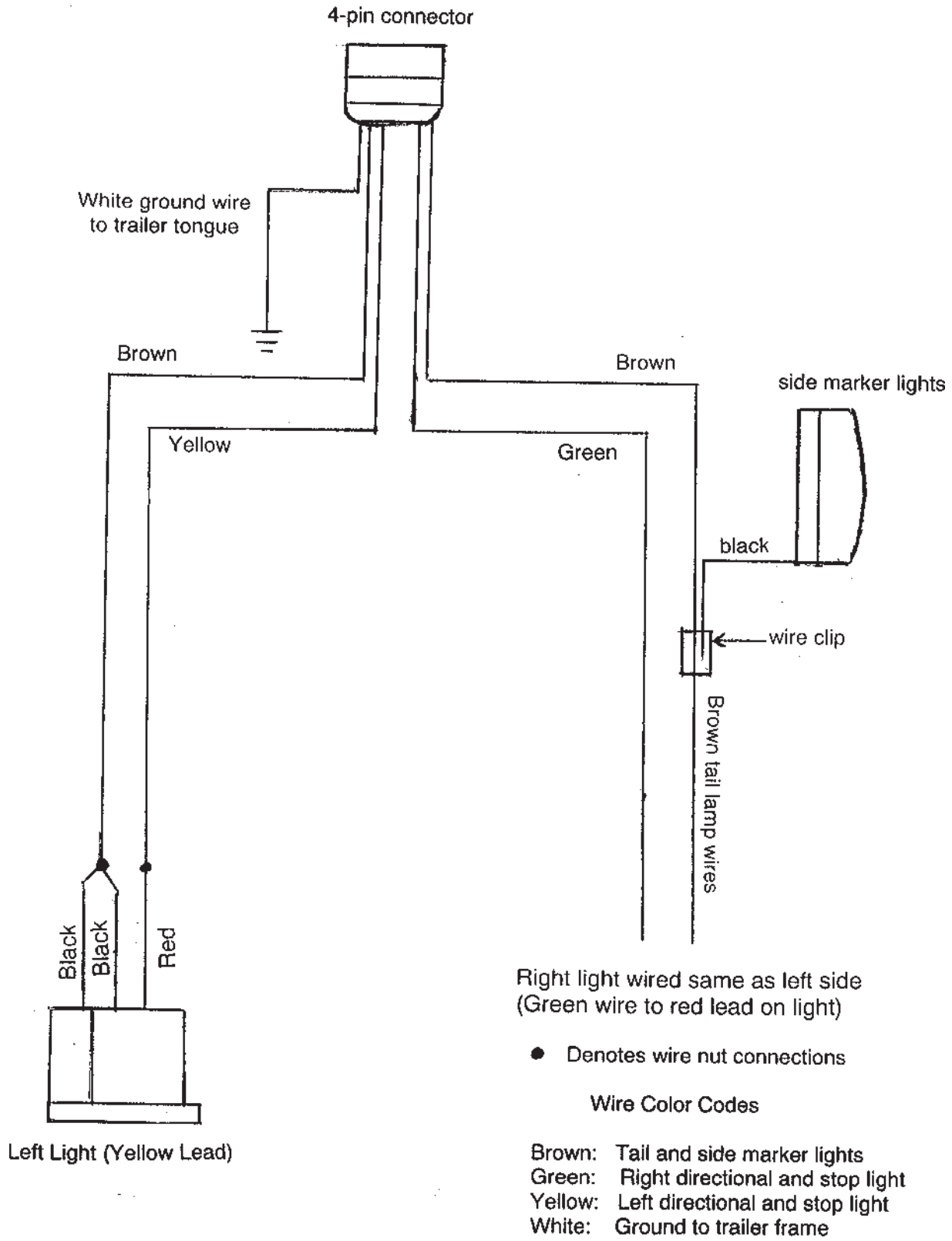
IMPORTANT: Make sure the surfaces of the Coupler and Bolt are clean

in order to provide a proper grounding surface for the exposed portion of the White Gound Wire. (See Figure H.)

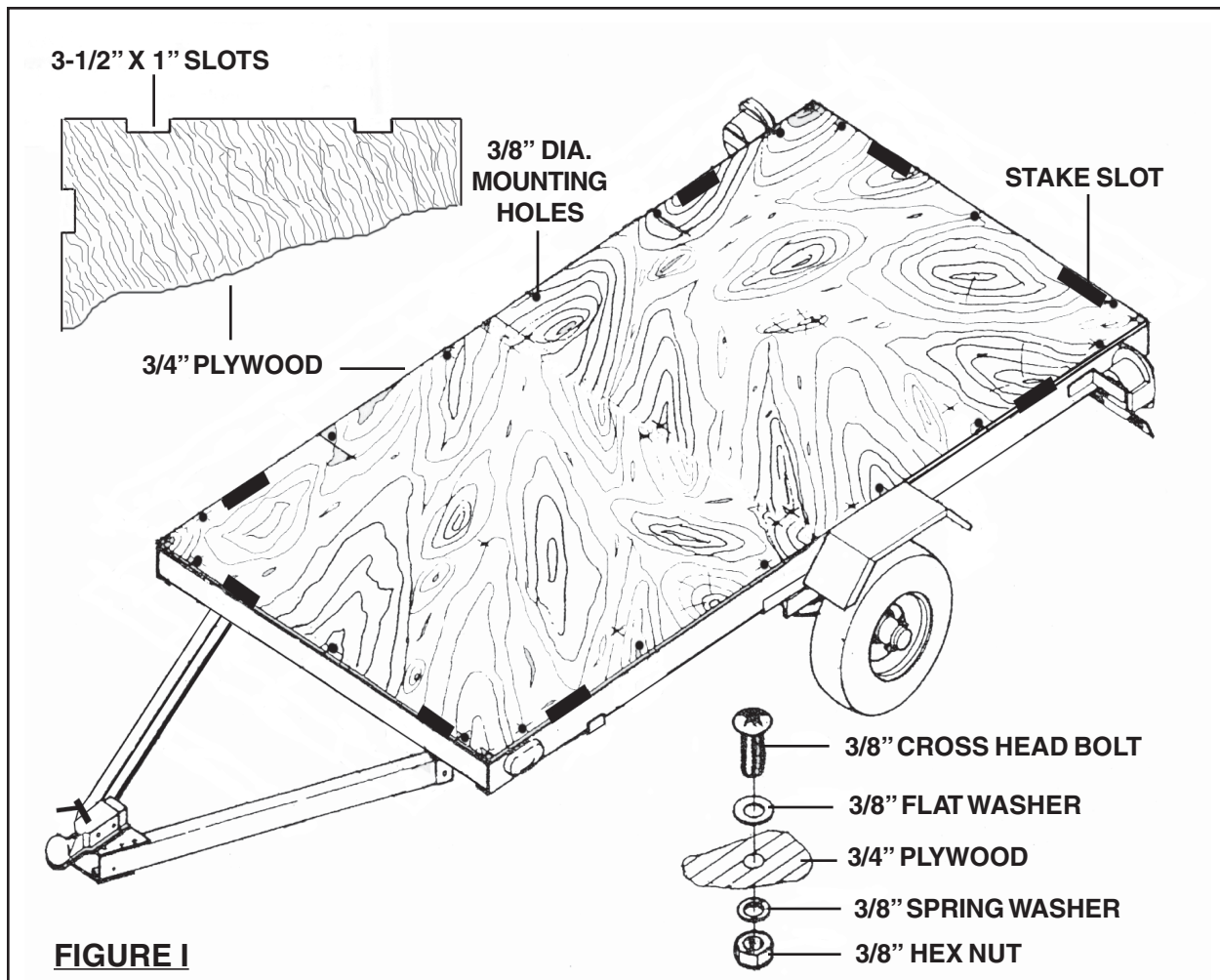
21. Leave about 18" of wire beyond the Coupler (part #1), and run the Wiring Harness along the inside of the Connection Rail (part #2) to the Front Right Side Rail (part #4). Then, split the Yellow/Brown Wires from the Green/Brown Wires. (See Figure H.)
22. Run the Yellow/Brown Wires along the inside of the Front Cross Member (part #5) to the Side Running Light (part #83) located on the Front Left Side Rail (part #3). Then, run the Green/Brown Wires along the inside of the Front Right Side Rail (part #4) to the other Side Running Light. (See Figure H.)



WIRING DIAGRAM FOR RUNNING LIGHTS



23. Connect the Wire Lead from the two Side Running Lights (part #83) to the Brown Wire on each side of the Trailer. Then, insert Wire Clips along the entire length of the Side Rails of the Trailer to hold down the Wiring Harness. **(See Figure H.)**
24. Run the Yellow/Brown Wires to the Left Tail Light (part #80). Strip the ends of the Wires about 3/4". Connect the Yellow Wire to the Red Wire of the Left Tail Light. Then, connect the Brown Wire to the two Black Wires of the Left Tail Light. **(See Figure H.)**
25. Run the Green/Brown Wires to the Right Tail Light (part #82). Strip the ends of the Wires about 3/4". Connect the Green Wire to the Red Wire of the Right Tail Light. Then, connect the Brown Wire to the two Black Wires of the Right Tail Light. **(See Figure H.)**
26. **NOTE:** It is recommended that only a qualified technician perform the electrical service that may be needed to enable your particular make/model vehicle to power the Trailer's 12 volt DC lighting system.
27. To attach a **bed** (not included) to the frame of the Trailer, it is recommended to use the following parts:
 - A. **Qty. 1:** 3/4" x 4' x 8' Plywood (not included).
 - B. **Qty. 18:** 3/8" Cross Head Bolts (not included).
 - C. **Qty. 18:** 3/8" Flat Washers (not included).
 - D. **Qty. 18:** 3/8" Spring Washers (not included).
 - E. **Qty. 18:** 3/8" Hex Nuts (not included).**(See Figure I, next page.)**
28. Measure the distance between the *eight* Stake Slots located on the outer edges of the Trailer frame. Then, corresponding to the measurements, cut eight **3-1/2" x 1"** slots in the edges of the 3/4" plywood. **(See Figure I.)**
29. Place the 3/4" squarely on the Trailer frame. As shown in the diagram, drill eighteen mounting holes through the 3/4" plywood and the frame with a 3/8" high speed metal drill bit. **(See Figure I.)**
30. Use the 3/8" Cross Head Bolts, 3/8" Flat Washers, 3/8" Spring Washers, and 3/8" Hex Nuts to secure the plywood bed to the Trailer frame. **(See Figure I.)**
31. To attach **rails** (not included) to the Trailer, it is recommended to use the following parts:
 - A. **Qty. 8:** 1.6" x 3.5" x 27" wood strips (not included).
 - B. **Qty. 6:** 0.75" x 3.5" x 48" wood strips (not included).
 - C. **Qty. 6:** 0.75" x 3.5" x 94.5" wood strips (not included).
 - D. **Qty. 4:** 0.175" x 2" x 2" x 3.5" Steel Angle (not included).
 - E. **Qty. 16:** 3/8" x 1-3/4" Hex Bolt (not included).



F. **Qty. 8:** 3/8" x 2-3/8" Hex Bolt (not included).

G. **Qty. 48:** 3/8" x 2-3/8" Hex Bolt (not included).

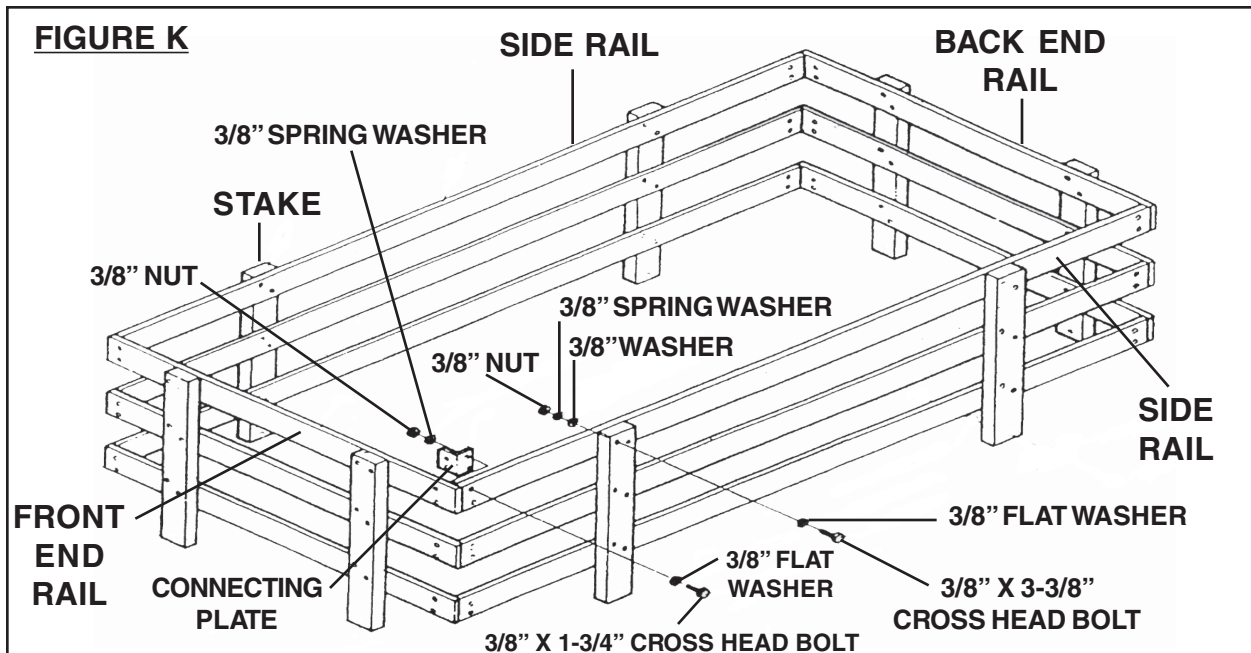
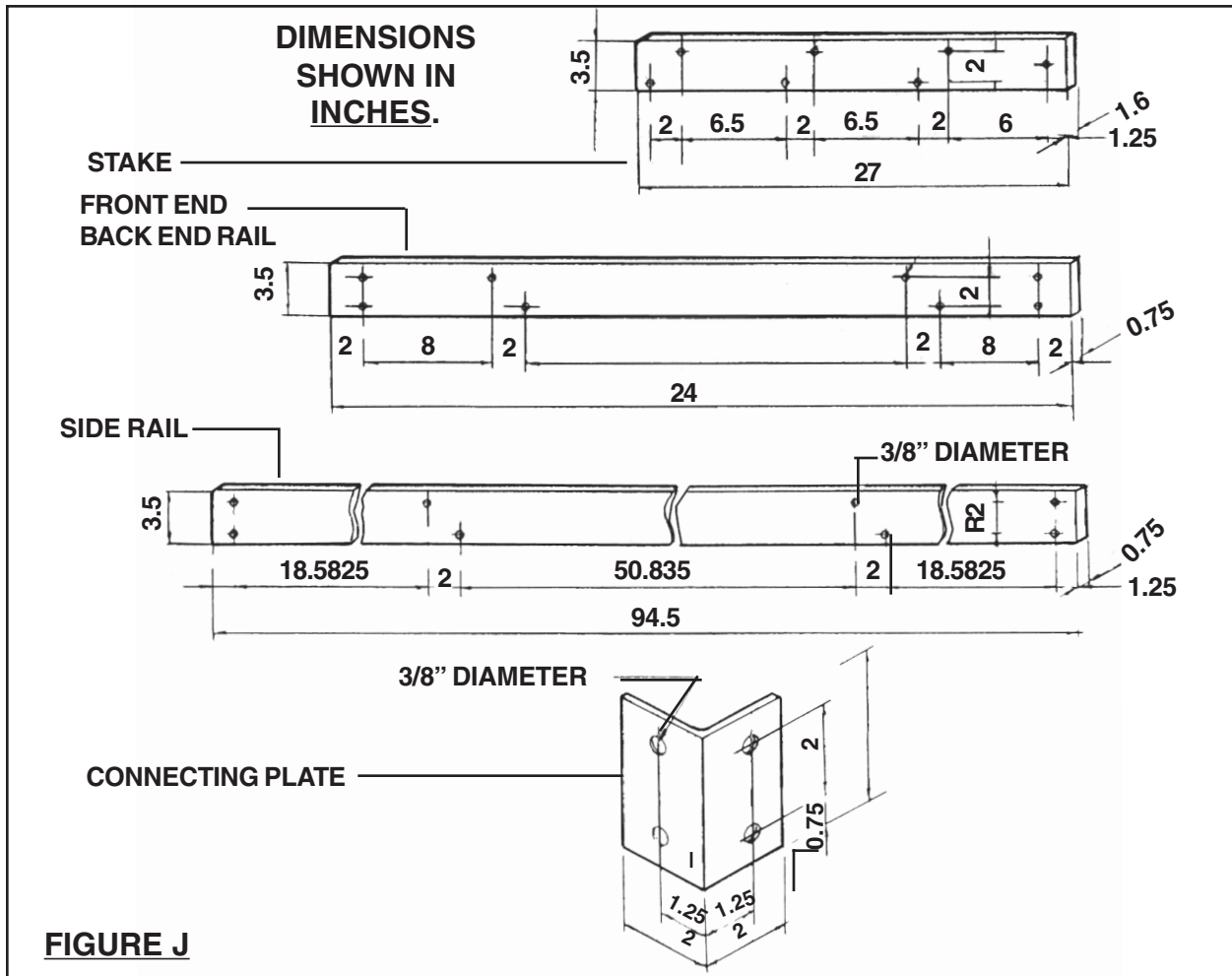
H. **Qty. 72:** 3/8" Spring Washer (not included).

I. **Qty. 112:** 3/8" Flat Washer (not included).

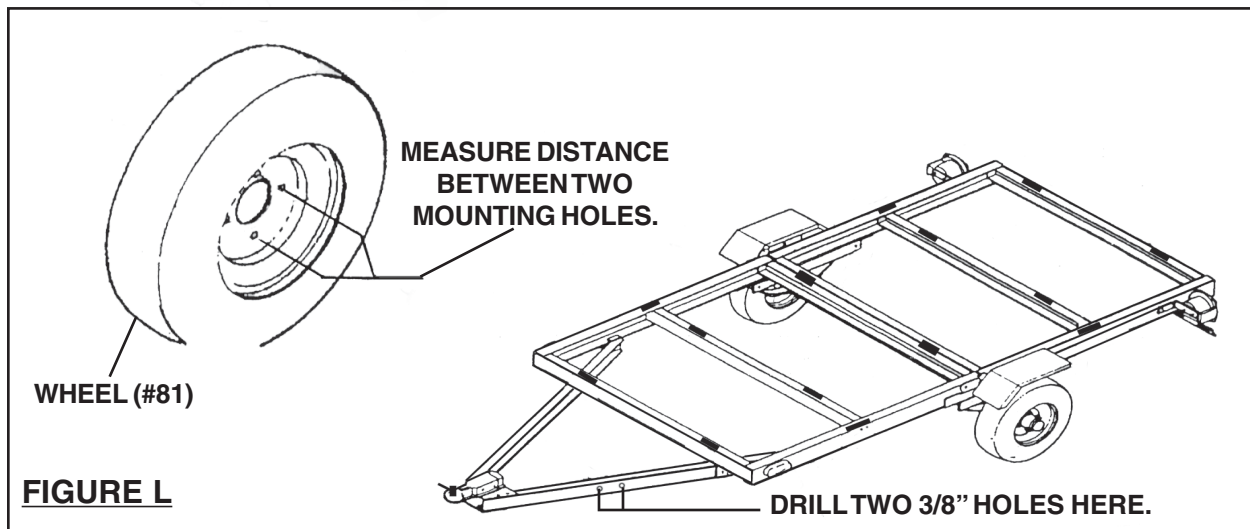
J. **Qty. 72:** 3/8" Hex Nut (not included).

(See Figure J, next page.)

32. Cut the Stakes, Front End Rails, Back End Rails, and Side rails to the sizes indicated in the illustration and drill 3/8" diameter mounting holes where shown. (See Figure J.)
33. To determine where to drill 3/8" holes in the Stakes, place the eight Stakes in the eight Stake Slots of the Trailer frame and mark with a pencil. (See Figure J, and Figure K, next page.)
34. Attach the Side Rails and Front End/Back End Rails to the Stakes, using 3/8" x 3-3/8" Cross Head Bolts, 3/8" Flat Washers, and 3/8" Nuts. (See Figure K, next page.)



35. Attach the Connecting Plates to the Side Rails and Front End/Back End Rails, using 3/8" x 1-3/4" Cross Head Bolts and 3/8" Nuts. **(See Figure K)**
36. With assistance, lift the Trailer rail over the Trailer and lower the Stakes into the Stake Slots of the Trailer.
37. To construct and attach a **spare tire carrier** (not included) it is recommended to use the following parts:
 - A. **Qty. 2:** 3/8" x 12" threaded Bolts (not included).
 - B. **Qty. 2:** 3/8" Flat Washers (not included).
 - C. **Qty. 2:** 3/8" Spring Washers (not included).
 - D. **Qty. 2:** 3/8" Nuts (not included).
38. **NOTE:** It is recommended that only a qualified technician perform the following procedures.
39. Measure the distance (on center) between two mounting holes located on the Wheel (part #81). Then, corresponding with the pre-measured distance, measure and drill two 3/8" diameter holes through a Connecting Rail (part #2). **(See Figure L.)**



40. Align two of the mounting holes in the Wheel (part #81) with the two previously drilled 3/8" holes in the Connecting Rail (part #2). Secure the Wheel to the Connecting Rail, using the two 3/8" x 12" threaded Bolts, two 3/8" Flat Washers, two 3/8" Spring Washers, and two 3/8" Nuts. **IMPORTANT:** When securing the Wheel to the Connecting Rail, make sure the Tire does not touch the ground surface. If necessary re-align the Wheel to allow at least 8" from the bottom of the Tire to the ground surface.

ATTACHING TRAILER TO VEHICLE

OPERATING INSTRUCTIONS

1. Only use a 2" ball hitch (not included) on the towing vehicle.
(See Figure M.)
2. **WARNING!** The Trailer load should never exceed 1800 pounds or exceed the Trailer's Bed size.
3. Make sure to have a qualified technician to grease the Hub Assembly (parts #12, #75, #79) prior to using the Trailer.
4. **NOTE:** To reduce friction between the Hitch Ball and Coupler (part #1), apply a layer of heavy weight grease over the Hitch Ball. (See Figure M.)
5. With assistance, place the Coupler (part #1) over the vehicle's Hitch Ball. Pull up on the Coupler's Handle while turning the Handle counterclockwise to allow the Coupler to drop fully onto the Hitch Ball. Turn the Handle clockwise to lock the Coupler in place. Pull up and down on the Coupler to make sure the Hitch Ball is fitting snugly in the Coupler. There should be no play between the Hitch Ball and Coupler. If there is play, tighten the Adjustment Nut until no play is present. If the Adjustment Nut is too tight, the Handle will not lock.
6. Make sure to attach each side of the Safety Chain (part #11) equally to the towing vehicle's rear bumper or frame.

CAUTION

Care must be taken when backing up the Trailer; only back up the trailer on a straight path. If the Trailer is allowed to turn off the straight path while backing up, the Trailer could jackknife, causing severe damage to the trailer and to the towing vehicle.

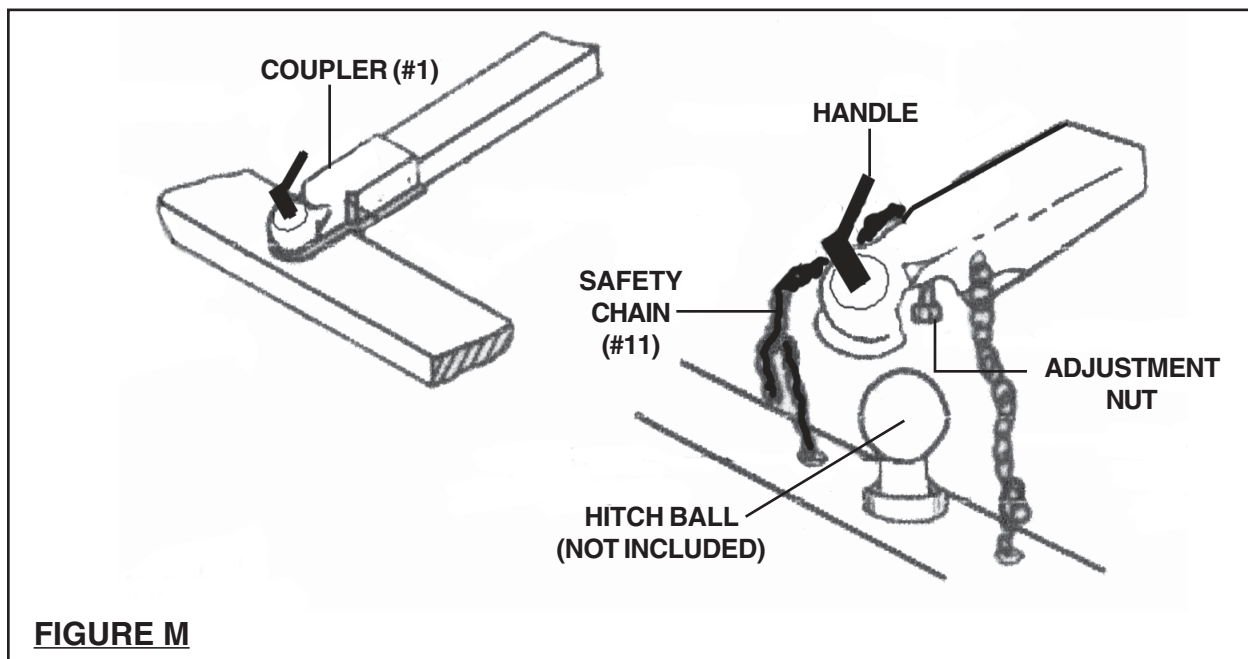


FIGURE M

5. Connect the Tail Light Wiring Assembly to the towing vehicle's 12 Volt DC system. **NOTE: Make sure to consult the operator's manual of the towing vehicle for proper connection instructions.**
6. When towing the Trailer over long distances stop and check the tightness of all connections, Side Running Lights (part #83), and Tail Lights (parts #80, #82) *at least every 100 miles.*
7. Carry emergency flares, and fire extinguisher, if required for operation in your state.
8. It is recommended to carry extra bulbs and fuses if towing the Trailer at night over long distances.

INSPECTION, MAINTENANCE, AND CLEANING

1. **BEFORE EACH USE**, inspect the general condition of the Trailer. Check for loose Bolts and Nuts, misalignment or binding of moving parts, cracked, bent, or broken parts, excessively worn Safety Chain, damaged Tail Lights/Side Running Lights/Wiring Harness, loose Lug Nuts, loose Hitch connection, and any other condition that may affect its safe operation. If abnormal noise or vibration occurs, have the problem corrected before further use. **Do not use damaged equipment.**
2. **BEFORE EACH USE**, check the Tires for wear and proper inflation (60 PSI).
3. **BEFORE EVERY USE AND AT 500 MILE INTERVALS DURING EVERY TRIP**, check and tighten the Tire Lug Nuts. Torque from 85 to 90 Ft.-Lbs.
4. **EVERY 2,000 TO 3,000 MILES OF USE**, lubricate the Hub Assemblies with a heavy weight bearing grease. **Follow the *Bearing Packing Instructions* as explained on the last page of this manual.** After each Hub Assembly is reassembled, tighten the Castle Nut until the wheel starts spinning with slight resistance. Loosen the Castle Nut about 1/6 turn from this point. Insert a new Cotter Pin through the Castle Nut and the hole in the axle. Bend the Pin back, locking it and the Nut in place.
5. **TO CLEAN**, use only water and a mild detergent.

PLEASE READ THE FOLLOWING CAREFULLY

THE MANUFACTURER AND/OR DISTRIBUTOR HAS PROVIDED THE PARTS LIST AND ASSEMBLY DIAGRAM IN THIS MANUAL AS A REFERENCE TOOL ONLY. NEITHER THE MANUFACTURER OR DISTRIBUTOR MAKES ANY REPRESENTATION OR WARRANTY OF ANY KIND TO THE BUYER THAT HE OR SHE IS QUALIFIED TO MAKE ANY REPAIRS TO THE PRODUCT, OR THAT HE OR SHE IS QUALIFIED TO REPLACE ANY PARTS OF THE PRODUCT. IN FACT, THE MANUFACTURER AND/OR DISTRIBUTOR EXPRESSLY STATES THAT ALL REPAIRS AND PARTS REPLACEMENTS SHOULD BE UNDERTAKEN BY CERTIFIED AND LICENSED TECHNICIANS, AND NOT BY THE BUYER. THE BUYER ASSUMES ALL RISK AND LIABILITY ARISING OUT OF HIS OR HER REPAIRS TO THE ORIGINAL PRODUCT OR REPLACEMENT PARTS THERETO, OR ARISING OUT OF HIS OR HER INSTALLATION OF REPLACEMENT PARTS THERETO.

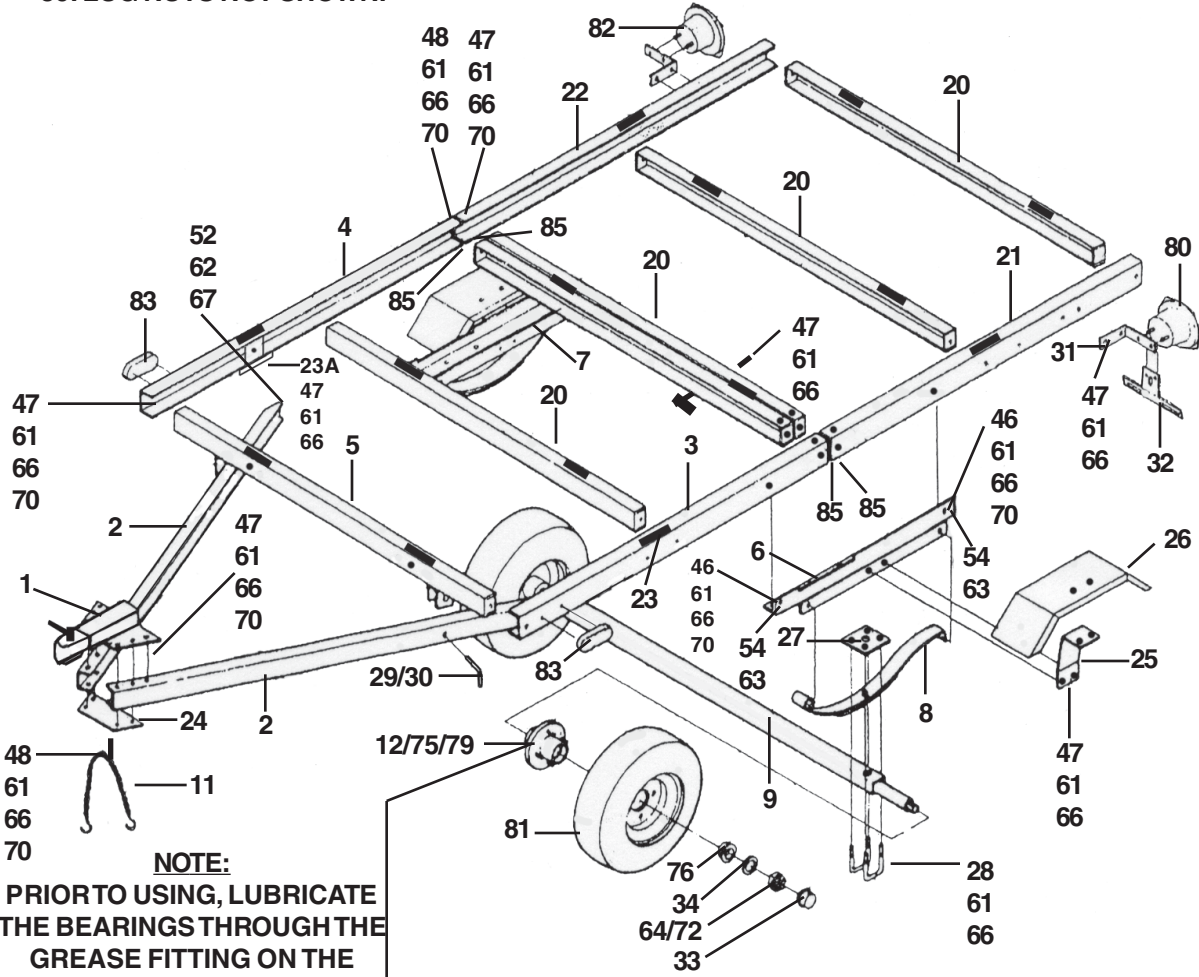
PARTS LIST

Part #	Description	Qty.	Part #	Description	Qty.
1	Coupler	1	33	Dust Cover	2
2	Connecting Rail	2	34	Washer	2
3	Front Left Side Rail	1	46	Bolt (M10 x 25)	4
4	Front Right Side Rail	1	47	Bolt (M10 x 25)	54
5	Front Cross Member	1	48	Bolt (M10 x 30)	3
6	Left Spring Hanger	1	52	Bolt (M14 x 30)	2
7	Right Spring Hanger	1	54	Bolt (M14 x 70)	4
8	Leaf Spring	2	61	Nut (M10)	69
9	Axle	1	62	Nut (M14)	2
11	Chain	1	63	Nylon Nut (M14)	4
12	Hub	2	64	Nut (M20)	2
20	Cross Member	5	66	Spring Washer (10)	69
21	Rear Left Side Rail	1	67	Spring Washer (14)	2
22	Rear Right Side Rail	1	70	Flat Washer (10)	37
23	Left Angle Iron	1	72	Cotter Pin (4 x 36)	2
23A	Right Angle Iron	1	75	Grease Fitting	2
24	"T" Plate	1	76	Bearing (7205)	4
25	Fender Seat Assy.	2	79	Grease Seal (30 x 52)	2
26	Fender	2	80	Left Tail Light	1
27	Spring Plate	2	81	Wheel/Tire Assy.	2
28	"U" Bolt	4	82	Right Tail Light	1
29	"L" Latch	2	83	Side Running Light	2
30	"R" Pin (3 MM)	2	84	Wiring Harness	1
31	Tail Light Bracket	2	85	Bolt (3/8" x 1-3/4")	4
32	License Plate Bracket	1	86	Lug Nut	5

NOTE: Some parts are listed and shown for illustration purposes only, and are not available individually as replacement parts.

ASSEMBLY DIAGRAM

84: WIRING HARNESS NOT SHOWN.
86: LUG NUTS NOT SHOWN.



NOTE:
PRIOR TO USING, LUBRICATE
THE BEARINGS THROUGH THE
GREASE FITTING ON THE
INSIDE OF THE HUB.

Bearing Packing Instructions

Important

Read and adhere to the following instructions; failure to read and obey all of the following instructions COMPLETELY will void the warranty and can result in damage to the trailer, property damage, or SERIOUS PERSONAL INJURY.

Whenever a hub is disassembled (if a hub on a new unit requires assembly or a hub is disassembled for maintenance), the following procedure MUST be followed.

1. Using a suitable solvent, thoroughly clean the bearings and the rest of the parts in the Hub assembly of all grease, dirt, metal shavings, or any other foreign object. **The parts must be cleaned even if they are new or *appear* clean.**
2. Allow all pieces to dry completely.
3. Make sure that your hands are thoroughly clean and the bearing packer (not included) is also thoroughly clean.
4. Place fresh, clean bearing grease in the packer.
5. With the grease-filled bearing packer in one hand and the bearing in the other, press the bearing into the grease, forcing the grease inside the slots in the bearing, continue doing this until every slot in the bearing is completely full of grease.
6. Finish assembling the hub/wheel assembly as explained in this manual, being careful not to get any dirt or debris on any part of the assembly.

Free Manuals Download Website

<http://myh66.com>

<http://usermanuals.us>

<http://www.somanuals.com>

<http://www.4manuals.cc>

<http://www.manual-lib.com>

<http://www.404manual.com>

<http://www.luxmanual.com>

<http://aubethermostatmanual.com>

Golf course search by state

<http://golfingnear.com>

Email search by domain

<http://emailbydomain.com>

Auto manuals search

<http://auto.somanuals.com>

TV manuals search

<http://tv.somanuals.com>