

CENTRAL MACHINERY®

8" MINI SHEAR BRAKE

Model 90757

ASSEMBLY AND OPERATING INSTRUCTIONS



Distributed Exclusively by



**HARBOR FREIGHT
TOOLS**



3491 Mission Oaks Blvd., Camarillo, CA 93011
Visit our Web site at <http://www.harborfreight.com>

Copyright © 2003 by Harbor Freight Tools®. All rights reserved. No portion of this manual or any artwork contained herein may be reproduced in any shape or form without the express written consent of Harbor Freight Tools.

For technical questions and replacement parts, please call 1-800-444-3353

Specifications

Overall Dimensions	5-5/16" x 6-5/8" x 10-5/8"
Capacity	20 Gauge Copper/Brass, 18 Gauge Aluminum, 20 to 22 Gauge Cold Rolled Steel
Mounting Base	5-5/16" x 8-7/8"
Mounting Holes	(4) 11/16" Dia. - 6-7/16" Pattern
Die Sizes	23/64", 13/32", 25/32", 1", 1-19/32", 8"
Maximum Shear Length	8"
Shear Blade Edges	4
Maximum Bending Length	7-7/8"
Weight	24.10 Lbs.

Save This Manual

You will need the manual for the safety warnings and precautions, assembly instructions, operating and maintenance procedures, parts list and diagram. Keep your invoice with this manual. Write the invoice number on the inside of the front cover. Keep the manual and invoice in a safe and dry place for future reference.

Safety Warnings and Precautions

WARNING: When using tool, basic safety precautions should always be followed to reduce the risk of personal injury and damage to equipment.

Read all instructions before using this tool!

1. **Keep work area clean.** Cluttered areas invite injuries.
2. **Observe work area conditions.** Do not use machines in damp or wet locations. Don't expose to rain. Keep work area well lighted.
3. **Keep children away.** Children must never be allowed in the work area. Do not let them handle machines.
4. **Store idle equipment.** When not in use, tools must be stored in a dry location to inhibit rust. Always lock up tools and keep out of reach of children.
5. **Use the right tool for the job.** Do not attempt to force a small tool or attachment to do the work of a larger industrial tool. There are certain applications for which this tool was designed. It will do the job better and more safely at the rate for which it was intended. Do not modify this tool and do not use this tool for a purpose for which it was not intended.
6. **Dress properly.** Do not wear loose clothing or jewelry as they can be caught in moving parts. Protective, electrically non-conductive clothes and non-skid footwear are recommended when working. Wear restrictive hair covering to contain long hair.
7. **Use eye and ear protection.** Always wear ANSI approved impact safety goggles. Wear a full face shield if you are producing metal filings or wood chips. Wear an ANSI approved dust mask or respirator when working around metal, wood, and chemical dusts and mists.

8. **Do not overreach.** Keep proper footing and balance at all times. Do not reach over or across running machines.
9. **Maintain tools with care.** Keep tools sharp and clean for better and safer performance. Follow instructions for lubricating and changing accessories. Inspect tool cords periodically and, if damaged, have them repaired by an authorized technician. The handle must be kept clean, dry, and free from oil and grease at all times.
10. **Remove adjusting keys and wrenches.** Check that keys and adjusting wrenches are removed from the tool or machine work surface before operating.
11. **Stay alert.** Watch what you are doing, use common sense. Do not operate any tool when you are tired.
12. **Check for damaged parts.** Before using any tool, any part that appears damaged should be carefully checked to determine that it will operate properly and perform its intended function. Check for alignment and binding of moving parts; any broken parts or mounting fixtures; and any other condition that may affect proper operation. Any part that is damaged should be properly repaired or replaced by a qualified technician.
13. **Guard against electric shock.** Prevent body contact with grounded surfaces such as pipes, radiators, ranges, and refrigerator enclosures.
14. **Replacement parts and accessories.** When servicing, use only identical replacement parts. Use of any other parts will void the warranty. Only use accessories intended for use with this tool. Approved accessories are available from Harbor Freight Tools.
15. **Do not operate tool if under the influence of alcohol or drugs.** Read warning labels if taking prescription medicine to determine if your judgment or reflexes are impaired while taking drugs. If there is any doubt, do not operate the tool.
16. **Maintenance.** For your safety, service and maintenance should be performed regularly by a qualified technician.
17. **Workpiece may be sharp.** After bending or cutting workpieces use caution. Be aware of sharp edges or sharp shreds of metal that may be created. Use heavy duty gloves when handling the workpiece.

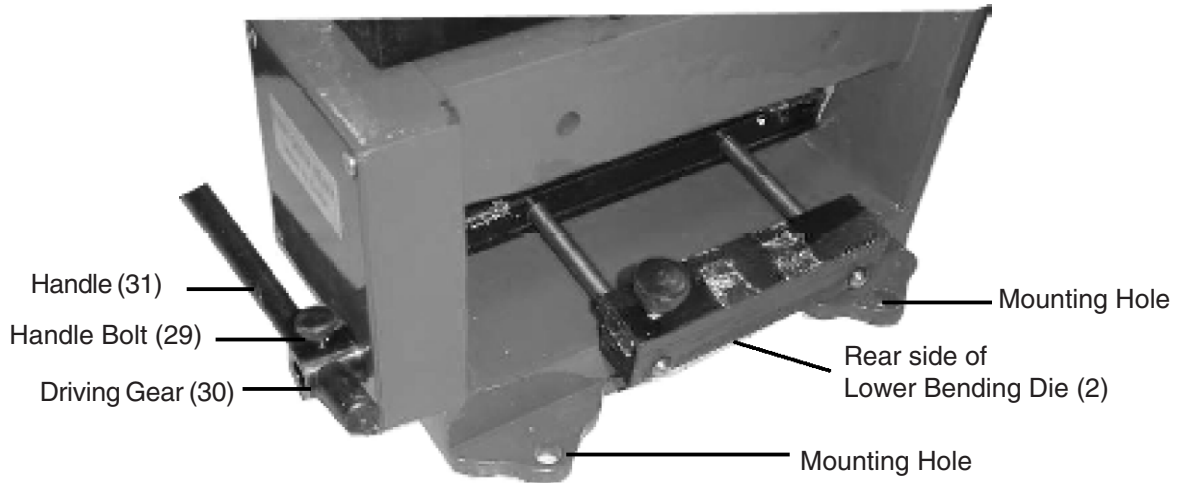
Warning: The warnings, cautions, and instructions discussed in this instruction manual cannot cover all possible conditions and situations that may occur. It must be understood by the operator that common sense and caution are factors which cannot be built into this product, but must be supplied by the operator.

Unpacking

When unpacking, check to make sure the parts listed on page 6 are included. If any parts are missing or broken, please call Harbor Freight Tools at the number on the cover of this manual as soon as possible.

Assembly and Operation

FIGURE 1



1. Mount the Shear Brake by driving the 4 mounting bolts (not included) through the 11/16" mounting holes, into your workbench. Secure each bolt in place with included washer and nut. Make sure the workbench is level and solid enough to support the Brake Shear, the workpieces, and the pulling force associated with operation of the tool.

See **FIGURE 1**.

2. Insert the Handle (31) into the Driving Gear (30) and secure it with the Handle Bolt (29). See **FIGURE 1**.

Inserting the Lower Bending Die (2)

Note: The Lower Bending Die (2) is reversible and can be inserted using either the top or bottom, depending on the thickness of the metal you are working with.

1. To insert the Lower Bending Die 2, slide the smaller end first, into the bottom of the machine as shown in **FIGURE 2**. The rear side of the Lower Bending Die (2) is shown on the back side of the Shear Brake in **FIGURE 1**. Make sure the Lower Bending Die (2) lines up with the upper Dies (3, 37-41). **FIGURE 3** shows the front side of the unit with the Lower Bending Die (2) installed.

FIGURE 2

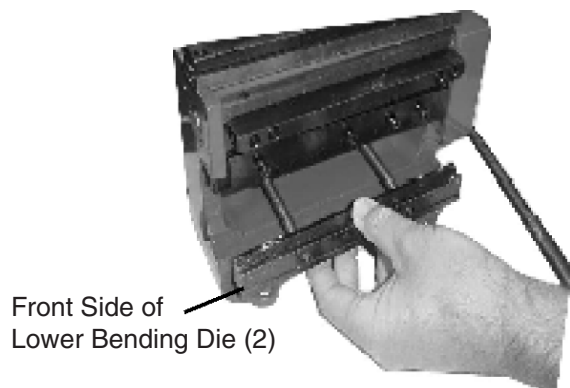
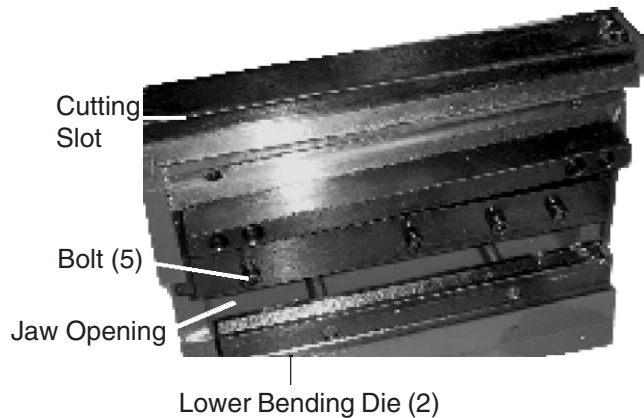


FIGURE 3



Assembly and Operation (continued)

Inserting the upper Dies (37-41)

1. Loosen the Bolts (5) and insert the desired size Die (3, 37-41), or combination of dies, and then tighten the Bolts (5). See **FIGURE 3**. Make sure the upper Dies (3, 37-41) you insert are lined up with the Lower Die (2).

Cutting Metal

1. Insert the metal workpiece into the cutting slot (See FIGURE 3). Make sure that your hands are clear, and move the Handle (31) away from you to cut. When finished cutting return the Handle (31).

Bending Metal

Note: We recommend you practice on a scrap piece of metal.

Warning! Always check to see that the Dies (3, 37-41) and the Lower Bending Die (2) are securely attached.

Warning! Do not exceed the Shear Brake's listed capacities (see the Specifications table on page 2).

1. After installing the appropriate Die (3, 37-41), insert the the workpiece into the jaw opening. See **FIGURE 3**.

Warning! Keep your fingers and hands clear of the jaw opening when bending metal or removing workpieces.

2. Work the Handle (31) toward you until the workpiece is bent to the desired angle.

3. Lift the Handle (31) and remove the workpiece.

Maintenance

1. Clean out the Shear Brake after each use. Make sure any metal filings, dirt, grease, or debris are removed from the unit.

2. Use a light machine oil to lubricate the moving parts on a regular basis to maintain smooth movement.

3. Periodically check the Shear Brake for signs of wear including cracks, bends, or signs of stress or breakage. Do not use the Shear Brake if faults are discovered. Take the Shear Brake to an authorized service technician if repairs are required.

Parts List

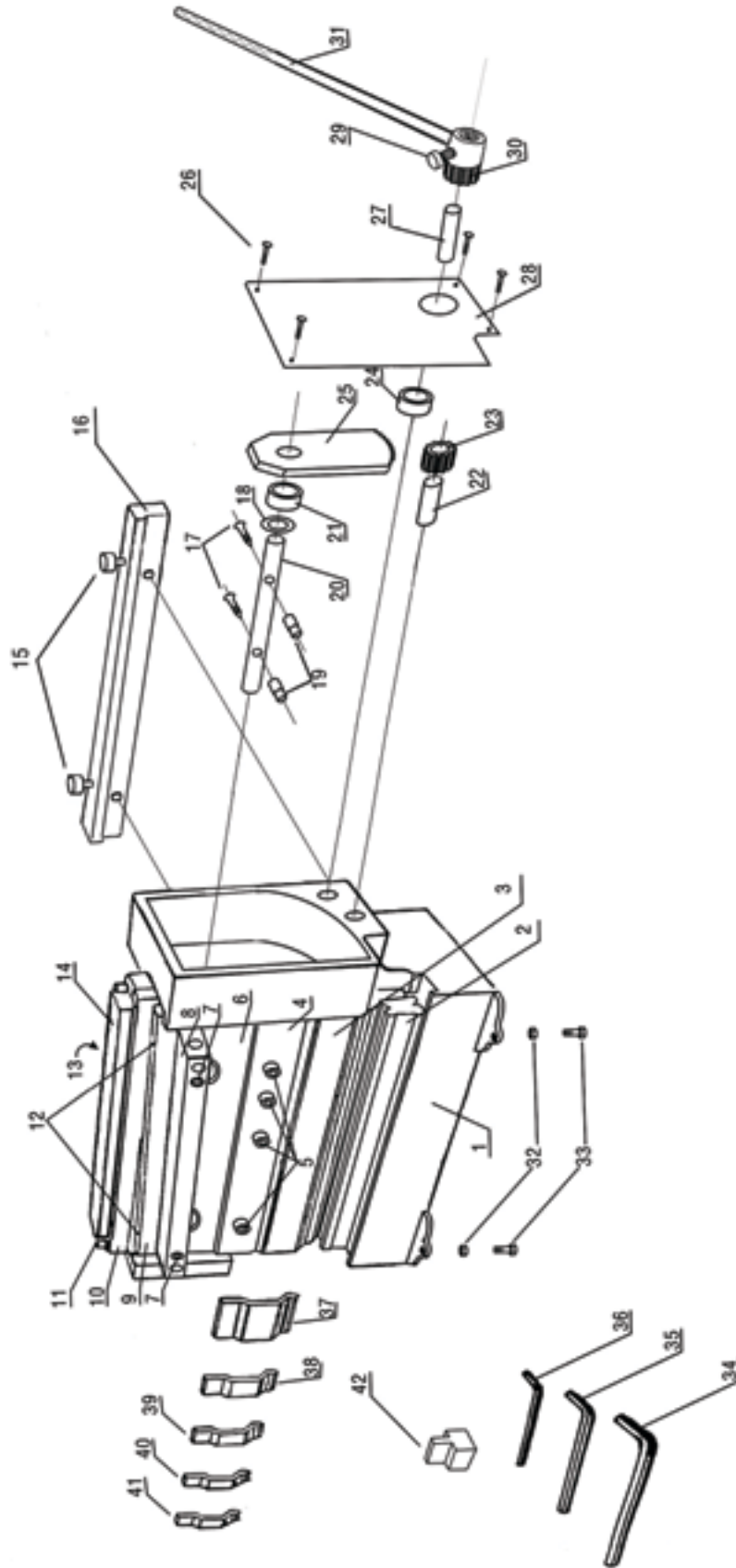
Part No.	Description	Qty.	Part No.	Description	Qty.
1	Base	1	22	Gear Shaft	1
2	Lower Bending Die	1	23	Transferring Gear	1
3	8" Die	1	24	Bushing	1
4	Clamping Bar	1	25	Driven Gear	1
5	Bolt M5x12	4	26	Screw M4x5	4
6	Lower Blade Body	1	27	Gear Shaft	1
7	Bolt M5x15	2	28	Cover	1
8	Lower Blade Support Bar	1	29	Handle Bolt	1
9	Lower Blade	1	30	Driving Gear	1
10	Upper Blade	1	31	Handle	1
11	Hex Head Bolt	4	32	Nut	4
12	Bolt M4x15	2	33	Bolt	4
13	Adjustment Bolt M4x25	3	34	Hex Wrench 5mm	1
14	Upper Blade Holder	1	35	Hex Wrench 4mm	1
15	Bolt	1	36	Hex Wrench 3mm	1
16	Guide	1	37	1-19/32" Die	1
17	Screw M4x12	2	38	1" Die	1
18	O-ring	1	39	25/32" Die	1
19	Pin	2	40	13/32" Die	1
20	Shaft	1	41	23/64" Die	1
21	Bushing	2	42	T-Block	1

PLEASE READ THE FOLLOWING CAREFULLY

THE MANUFACTURER AND/OR DISTRIBUTOR HAS PROVIDED THE PARTS DIAGRAM IN THIS MANUAL AS A REFERENCE TOOL ONLY. NEITHER THE MANUFACTURER NOR DISTRIBUTOR MAKES ANY REPRESENTATION OR WARRANTY OF ANY KIND TO THE BUYER THAT HE OR SHE IS QUALIFIED TO MAKE ANY REPAIRS TO THE PRODUCT OR THAT HE OR SHE IS QUALIFIED TO REPLACE ANY PARTS OF THE PRODUCT. IN FACT, THE MANUFACTURER AND/OR DISTRIBUTOR EXPRESSLY STATES THAT ALL REPAIRS AND PARTS REPLACEMENTS SHOULD BE UNDERTAKEN BY CERTIFIED AND LICENSED TECHNICIANS AND NOT BY THE BUYER. THE BUYER ASSUMES ALL RISK AND LIABILITY ARISING OUT OF HIS OR HER REPAIRS TO THE ORIGINAL PRODUCT OR REPLACEMENT PARTS THERETO, OR ARISING OUT OF HIS OR HER INSTALLATION OF REPLACEMENT PARTS THERETO.

NOTE: Some parts are listed and shown for illustration purposes only and are not available individually as replacement parts.

Assembly Drawing



Note: #43 Mounting Bolts/washers/nuts - not shown.

WARRANTY



Free Manuals Download Website

<http://myh66.com>

<http://usermanuals.us>

<http://www.somanuals.com>

<http://www.4manuals.cc>

<http://www.manual-lib.com>

<http://www.404manual.com>

<http://www.luxmanual.com>

<http://aubethermostatmanual.com>

Golf course search by state

<http://golfingnear.com>

Email search by domain

<http://emailbydomain.com>

Auto manuals search

<http://auto.somanuals.com>

TV manuals search

<http://tv.somanuals.com>