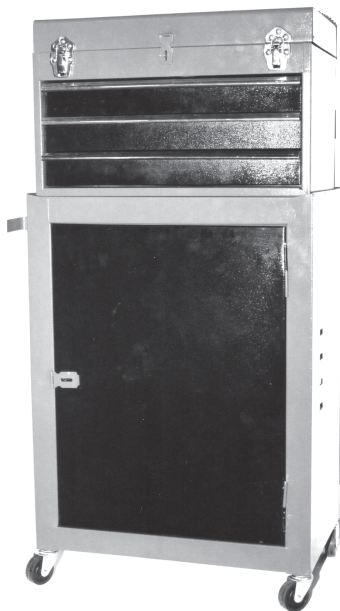


TOOL CHEST AND ROLLER CABINET

Model 94582

ASSEMBLY & OPERATING INSTRUCTIONS



Due to continuing improvement, actual product may differ slightly from the product described herein.



3491 Mission Oaks Blvd., Camarillo, CA 93011
Visit our Web Site at www.harborfreight.com

Copyright© 2006 by Harbor Freight Tools®. All rights reserved. No portion of this manual or any artwork contained herein may be reproduced in any shape or form without the express written consent of Harbor Freight Tools.

For technical questions and replacement parts please call 1-800-444-3353.

THANK YOU for choosing a **HARBOR FREIGHT TOOLS** product. For future reference, please complete the owner's record below:

Model _____ **Serial No.** _____ **Purchase Date** _____

SAVE THE RECEIPT, WARRANTY AND THESE INSTRUCTIONS. It is important that you read the entire manual to become familiar with the unit BEFORE you begin assembly.

Technical Specifications

Materials:	25 gauge steel with steel latches and low carbon steel hardware and drawer handles.
Overall Dimensions:	11-1/2" D X 19-3/4" W X 35-3/4" H
Ground Clearance:	2-1/4" H
Cabinet Dimensions:	11-1/2" D X 17-7/8" W X 22-13/16" H
Weight Capacity:	Drawer-11 Lbs., Shelf-22 Lbs., Bottom-22 Lbs., Total=114 Lbs.
Includes:	Locking drawers, four heavy duty casters and side extension cord rack.



READ ALL INSTRUCTIONS BEFORE USING THIS PRODUCT!
Safety Warnings and Precautions

WARNING: When using product, basic safety precautions should always be followed to reduce the risk of personal injury and damage to equipment.

Read all instructions before using this product!

1. **Keep work area clean.** Cluttered areas invite injuries.
2. **Check for damaged parts.** Before using any product, any part that appears damaged should be carefully checked to determine that it will operate properly and perform its intended function. Check for any broken or damaged parts and any other conditions that may affect its operation. Replace or repair damaged or worn parts immediately.
3. **Replacement parts and accessories.** When servicing, use only identical replacement parts. Use of any other parts will void the warranty.
4. **Always check hardware and assembled parts after assembling.** All connections should be tight and hardware tightened.
5. **Keep children away.** Children must never play on or climb on the Tool Chest and Roller Cabinet.
6. **Dress properly.** Gloves are recommended when assembling the Tool Chest and Roller Cabinet. Wear restrictive hair covering to contain long hair.
7. **Use eye protection.** Always wear ANSI approved impact safety goggles when assembling this product.
8. **Maintain product with care.** Keep the Tool Chest and Roller Cabinet in a dry location.
9. **Use the right Tool Chest and Roller Cabinet for the situation.** There are certain applications for which this Chest and Cabinet was designed. Do not modify this product and do not use this product for a purpose for which it was not intended.

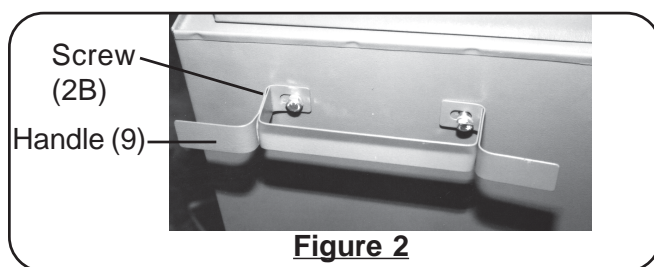
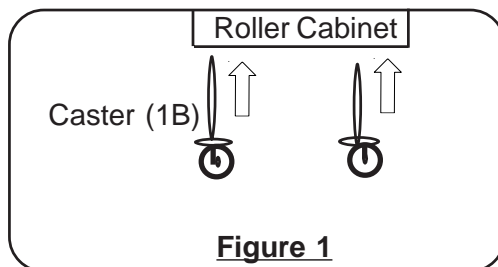
SKU 94582

For technical questions please call 1-800-444-3353.

REV 09/06
Page 2

10. **Do not use or assemble the Tool Chest and Roller Cabinet if under the influence of alcohol or drugs.** Read warning labels on prescriptions to determine if your judgement or reflexes are impaired while taking drugs. If there is any doubt, do not assemble or use the Chest and Cabinet.
11. **Improper use can cause the Tool Chest and Roller Cabinet to tip over, causing personal injury or death.** Load the chest evenly from the bottom up.
12. **Do not exceed the Tool Chest and Roller Cabinet's maximum weight capacity of 114 Lbs.** The weight capacity for each Tray and Drawer is 11 Lbs.; Shelf capacity is 22 Lbs.
13. **Always load the Tool Chest and Roller Cabinet evenly.** If the Tool Chest is top-heavy, it may tip over when moved.
14. **Use the Tool Chest and Roller Cabinet on a flat and level surface.** This will lessen the chance of it rolling away and possibly causing injury.

WARNING: The warnings, cautions, and instructions discussed in this instruction manual cannot cover all possible conditions and situations that may occur. It must be understood by the operator that common sense and caution are factors which cannot be built into this product, but must be supplied by the operator.



Assembly/Operation

Your Tool Chest and Roller Cabinet will require complete assembly. It is important that you read the entire manual to become familiar with the product BEFORE you assemble and use the Tool Chest and Roller Cabinet. Before assembling the Chest and Cabinet be sure that you have all parts described in the Parts List located on page 4 of this manual.

1. Insert each of the Caster (1B) shafts into the holes in the bottom of the Tool Chest and Roller Cabinet-see Figure 1.
2. Attach the Handle (9) to the side of the Roller Cabinet with two Screws (2B) and Nuts (3B)-see Figure 2.
3. Set each Shelf (8) down onto the lips built into the sides of the Roller Cabinet.
4. Set each of the Hooks (6B) in place on the Door.
5. Place the Tool Chest onto the top of the Roller Cabinet to have it stand as one unit.
6. If the Non-Slip Mats (4, 5) are not in place in the face drawers, place the Non-Slip Mats (4, 5) into each of the Drawers.
7. Make certain that the Tool Chest drawers lock when the top tray is closed.

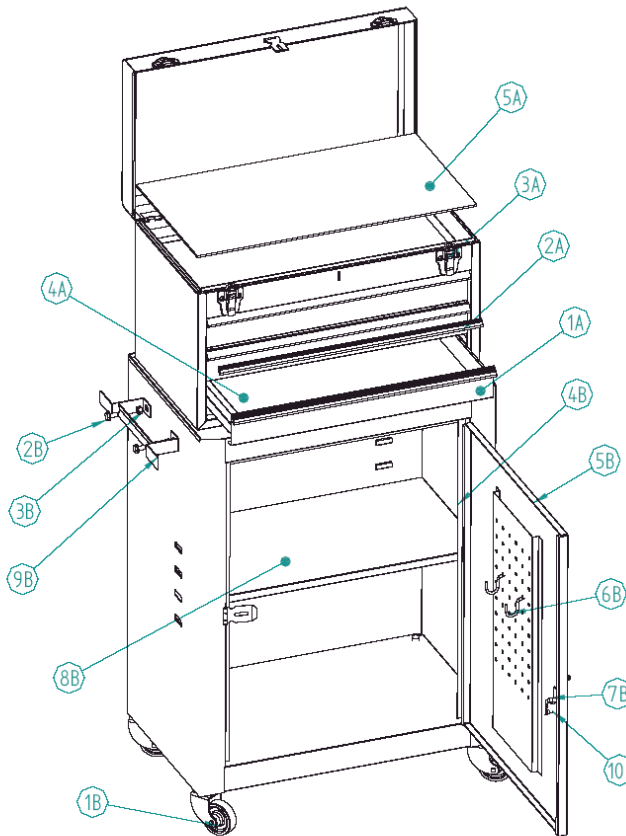
Parts List for Tool Chest (A)

Part #	Description
1A	Drawer with plastic liner
2A	Plastic Liner
3A	B Type
4A	Sponge
5A	Sponge

Parts for Cabinet (B)

Part #	Description	Part #	Description
1B	Caster	6B	Hook
2B	Screw M6 X 12	7B	Spring
3B	Nut	8B	Shelf
4B	Pin for Door	9B	Handle
5B	Door	10B	Hook Lock

Note: Some parts are listed and shown for illustration purposes only and are not available individually as replacement parts.



PLEASE READ THE FOLLOWING CAREFULLY

THE MANUFACTURER AND/OR DISTRIBUTOR HAS PROVIDED THE PARTS DIAGRAM IN THIS MANUAL AS A REFERENCE TOOL ONLY. NEITHER THE MANUFACTURER NOR DISTRIBUTOR MAKES ANY REPRESENTATION OR WARRANTY OF ANY KIND TO THE BUYER THAT HE OR SHE IS QUALIFIED TO MAKE ANY REPAIRS TO THE PRODUCT OR THAT HE OR SHE IS QUALIFIED TO REPLACE ANY PARTS OF THE PRODUCT. IN FACT, THE MANUFACTURER AND/OR DISTRIBUTOR EXPRESSLY STATES THAT ALL REPAIRS AND PARTS REPLACEMENTS SHOULD BE UNDERTAKEN BY CERTIFIED AND LICENSED TECHNICIANS AND NOT BY THE BUYER. THE BUYER ASSUMES ALL RISK AND LIABILITY ARISING OUT OF HIS OR HER REPAIRS TO THE ORIGINAL PRODUCT OR REPLACEMENT PARTS THERETO, OR ARISING OUT OF HIS OR HER INSTALLATION OF REPLACEMENT PARTS THERETO.

Free Manuals Download Website

<http://myh66.com>

<http://usermanuals.us>

<http://www.somanuals.com>

<http://www.4manuals.cc>

<http://www.manual-lib.com>

<http://www.404manual.com>

<http://www.luxmanual.com>

<http://aubethermostatmanual.com>

Golf course search by state

<http://golfingnear.com>

Email search by domain

<http://emailbydomain.com>

Auto manuals search

<http://auto.somanuals.com>

TV manuals search

<http://tv.somanuals.com>