



HEAVY DUTY STORAGE RACK

Model 97563

ASSEMBLY, OPERATING, AND MAINTENANCE INSTRUCTIONS



Diagrams within this manual may not be drawn proportionally.
Due to continuing improvements, actual product may differ slightly from the product described herein.

Distributed exclusively by Harbor Freight Tools®.

3491 Mission Oaks Blvd., Camarillo, CA 93011

Visit our website at: <http://www.harborfreight.com>



**Read this material before using this product.
Failure to do so can result in serious injury.
SAVE THIS MANUAL.**

Copyright© 2007 by Harbor Freight Tools®. All rights reserved. No portion of this manual or any artwork contained herein may be reproduced in any shape or form without the express written consent of Harbor Freight Tools.

For technical questions or replacement parts, please call 1-800-444-3353.

SAVE THIS MANUAL

Keep this manual for the safety warnings and precautions, assembly, operating, inspection, maintenance and cleaning procedures. Write the product's serial number in the back of the manual near the assembly diagram (or month and year of purchase if product has no number). Keep this manual and the receipt in a safe and dry place for future reference.

IMPORTANT SAFETY INSTRUCTIONS

In this manual, on the labeling, and all other information provided with this product:



This is the safety alert symbol. It is used to alert you to potential personal injury hazards. Obey all safety messages that follow this symbol to avoid possible injury or death.

DANGER

DANGER indicates a hazardous situation which, if not avoided, will result in death or serious injury.

WARNING

WARNING indicates a hazardous situation which, if not avoided, could result in death or serious injury.

CAUTION

CAUTION, used with the safety alert symbol, indicates a hazardous situation which, if not avoided, could result in minor or moderate injury.

NOTICE


NOTICE is used to address practices not related to personal injury.

CAUTION

CAUTION, without the safety alert symbol, is used to address practices not related to personal injury.


General and Specific Safety Warnings

1. Always wear ANSI-approved safety goggles and work gloves when assembling, removing shelves, or changing location of shelving on this Heavy Duty Storage Unit.
2. Always assemble this Storage Unit on a level surface.
3. Evenly distribute the weight of load on each shelf. Place heaviest items on the bottom shelves.

4. Do not overload or exceed the maximum shelf capacity of 600 lb.
 5. Do not stand on, or use this Storage Unit as a ladder.
 6. Should there be a need to change the level of a shelf, be sure to disassemble and reassemble one shelf at a time following procedures in “Assembly” section located on pages 5 and 6 of this manual.
 7. Do not use this Storage Unit for other than intended use.
 8. Maintain labels and nameplates on the appliance. These carry important safety information. If unreadable or missing, contact Harbor Freight Tools for a replacement.
-  9. The warnings, precautions, and instructions discussed in this instruction manual cannot cover all possible conditions and situations that may occur. It must be understood by the operator that common sense and caution are factors which cannot be built into this product, but must be supplied by the operator.

 **SAVE THESE INSTRUCTIONS.**

SPECIFICATIONS

Construction Materials	Upright Posts: Stamped and Formed 16 Gauge Steel - Q'ty 4 Side Sway Bars: Tubular Steel L - Shaped Safety Pins and Other Hardware: Zinc Plated Steel Shelves: Stamped and Formed Steel
Maximum Weight per Shelf	600 lb 
Shelving Section Dimensions	22-1/2" L X 13-7/8" W X 1-1/16" H - Q'ty 15



UNPACKING

When unpacking, check to make sure that the item is intact and undamaged. If any parts are missing or broken, please call Harbor Freight Tools at the number shown on the cover of this manual as soon as possible.

SET UP INSTRUCTIONS



Read the **ENTIRE IMPORTANT SAFETY INSTRUCTIONS** section at the beginning of this manual including all text under subheadings therein before set up or use of this product.

Note: For additional information regarding the parts listed in the following pages, refer to the Assembly Diagram near the end of this manual.

Assembly.

- NOTE: Use two persons to assemble this Storage Rack. The Upright Posts (2) are directional, the slots must face inward (see Figure 2 on page 5).**

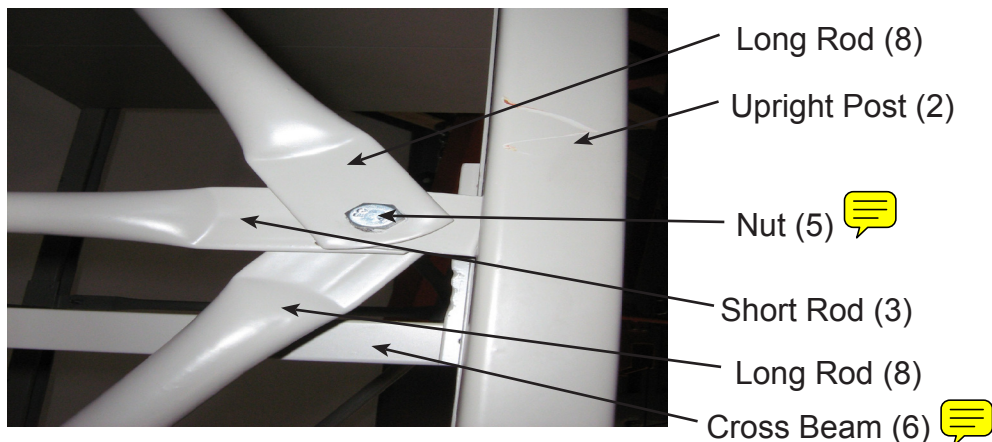


Figure 1

- Assemble two of the Upright Posts (2) using three of the horizontal Short Rods (3), and two of the Long Rods (8). Use six Bolts (1), twelve Flat Washers (4),

one on each side, and six Nuts (5). Hand tighten the Nuts (5) initially (see **Figures 1 and 2**).

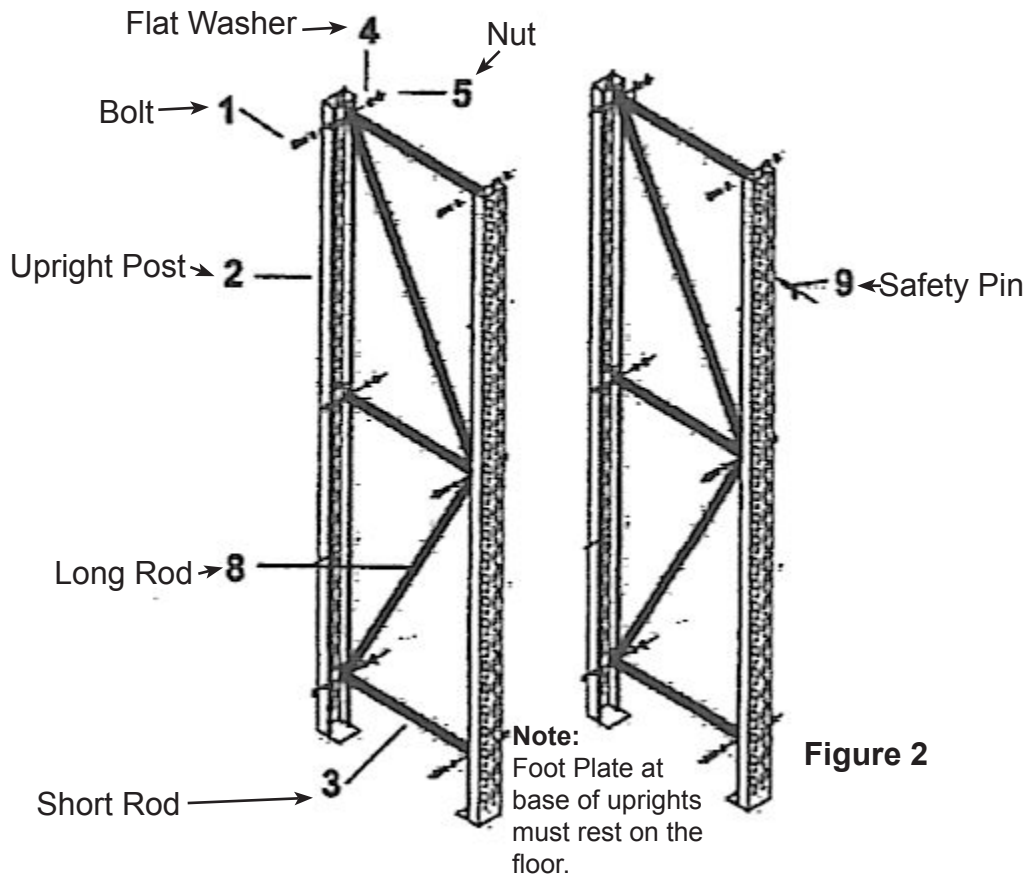


Figure 2

3. Repeat step 1 to assemble the second Upright Post set.
4. Using two persons, stand up the two Upright Post assemblies in position and attach one Cross Beam (6) into the second Slot from the bottom of the two Upright Posts. These Cross Beams (6) have two metal Tabs on each end which slip into the Slots of the Upright Posts (2). Make sure the Flange on the Cross Beam (6) is facing up. This Flange will hold the Steel Shelves (7) in place (See Figure 1).
5. Repeat step 4 with a Cross Beam (6) on opposite side of Upright Post assembly.
6. Only one person is needed to finish the assembly. Continue to attach Cross Beams (6) (Flanges pointing upward) at desired heights. The Cross Beams (6) on the top level must be positioned at the top Slot of the Upright Posts (2). Make sure each Cross Beam (6) is located in same Slots as the Cross Beam directly opposite its height on the Upright Post (2). This is to ensure that when the shelves are inserted, they will lay flat.
7. Use a rubber mallet (not supplied) to drive the Wedge at both edges of the Cross Beams (6) into the Slots on the Upright Posts (2) as deep as possible. Strike the Cross Beam (6) with the mallet as close to the Upright Post (2) as you can.

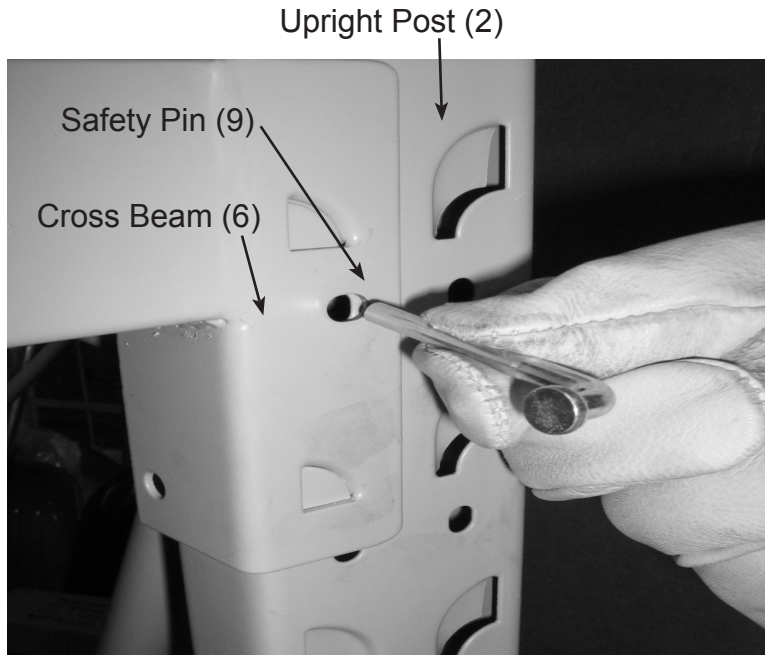


Figure 3

8. Insert the Safety Pins (9) into Holes located in, and lined up with, both the Upright Posts (2) and Cross Beams (6). This is an important step and will keep the Cross Beams from slipping up and coming loose (See **Figure 3**).
9. Lay the Steel Shelves (7) as needed into the Cross Beams (6). You can use up to 15 Steel Shelves (7), three per level, or leave some out in order to make room for taller items being stored.
10. Make sure all Steel Shelves are in correct and level positions. **Tighten all Nuts (5) and Bolts (1).**

OPERATING INSTRUCTIONS



Read the **ENTIRE IMPORTANT SAFETY INFORMATION** section at the beginning of this manual including all text under subheadings therein before set up or use of this product.

1. This Heavy Duty Storage Rack may be used to store items of different widths and heights by removing any of the 15 Steel (7) Shelves. Each Shelf will support up to 600 lb.
2. If needed, the Cross Beams (6) holding each shelf may be raised or lowered using procedures found in the “Assembly” portion of this manual on pages 5 and 6.

MAINTENANCE AND SERVICING

Any maintenance or service not specifically explained in this manual must be performed by a qualified service technician.

Cleaning and Maintenance

1. **Periodically** inspect the general condition of this Storage Rack. Check for loose screws, misalignment of parts, cracked or broken parts, and any other condition that may affect its safe operation.
2. Wipe down with clean, moist cloth periodically.

PLEASE READ THE FOLLOWING CAREFULLY

THE MANUFACTURER AND/OR DISTRIBUTOR HAS PROVIDED THE PARTS LIST AND ASSEMBLY DIAGRAM IN THIS MANUAL AS A REFERENCE TOOL ONLY. NEITHER THE MANUFACTURER OR DISTRIBUTOR MAKES ANY REPRESENTATION OR WARRANTY OF ANY KIND TO THE BUYER THAT HE OR SHE IS QUALIFIED TO MAKE ANY REPAIRS TO THE PRODUCT, OR THAT HE OR SHE IS QUALIFIED TO REPLACE ANY PARTS OF THE PRODUCT. IN FACT, THE MANUFACTURER AND/OR DISTRIBUTOR EXPRESSLY STATES THAT ALL REPAIRS AND PARTS REPLACEMENTS SHOULD BE UNDERTAKEN BY CERTIFIED AND LICENSED TECHNICIANS, AND NOT BY THE BUYER. THE BUYER ASSUMES ALL RISK AND LIABILITY ARISING OUT OF HIS OR HER REPAIRS TO THE ORIGINAL PRODUCT OR REPLACEMENT PARTS THERETO, OR ARISING OUT OF HIS OR HER INSTALLATION OF REPLACEMENT PARTS THERETO.

PARTS LIST

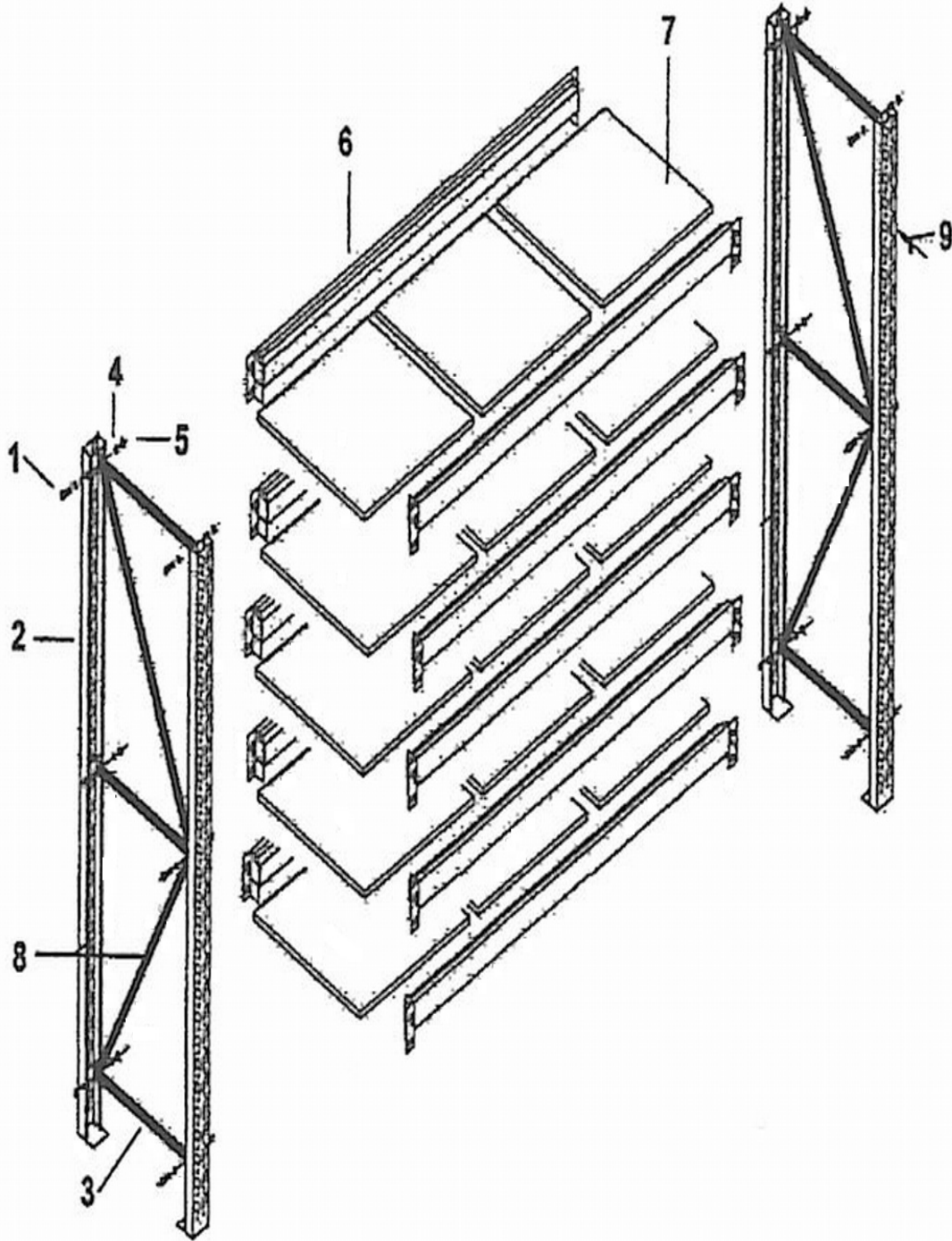
Part	Description	Q'ty	Part	Description	Q'ty
1	Bolt	12	6	Cross Beam	10
2	Upright Posts	4	7	Steel Shelf	15
3	Short Rods	6	8	Long Rods	4
4	Flat Washer	24	9	Safety Pin	20
5	Nut	12			

Record Product's Serial Number Here: _____

Note: If product has no serial number, record month and year of purchase instead.

Note: Some parts are listed and shown for illustration purposes only, and are not available individually as replacement parts.

ASSEMBLY DIAGRAM



Free Manuals Download Website

<http://myh66.com>

<http://usermanuals.us>

<http://www.somanuals.com>

<http://www.4manuals.cc>

<http://www.manual-lib.com>

<http://www.404manual.com>

<http://www.luxmanual.com>

<http://aubethermostatmanual.com>

Golf course search by state

<http://golfingnear.com>

Email search by domain

<http://emailbydomain.com>

Auto manuals search

<http://auto.somanuals.com>

TV manuals search

<http://tv.somanuals.com>