

12 VOLT, 80 LB.

ATV SPREADER

Model 99621

SET UP AND OPERATING INSTRUCTIONS



Distributed exclusively by Harbor Freight Tools®.

3491 Mission Oaks Blvd., Camarillo, CA 93011

Visit our website at: <http://www.harborfreight.com>



**Read this material before using this product.
Failure to do so can result in serious injury.
SAVE THIS MANUAL.**

Copyright© 2008 by Harbor Freight Tools®. All rights reserved. No portion of this manual or any artwork contained herein may be reproduced in any shape or form without the express written consent of Harbor Freight Tools. Diagrams within this manual may not be drawn proportionally. Due to continuing improvements, actual product may differ slightly from the product described herein. Tools required for assembly and service may not be included.

For technical questions or replacement parts, please call 1-800-444-3353.

SAVE THIS MANUAL

Keep this manual for the safety warnings and precautions, assembly, operating, inspection, maintenance and cleaning procedures. Write the product's serial number in the back of the manual near the assembly diagram (or month and year of purchase if product has no number). Keep this manual and the receipt in a safe and dry place for future reference.

IMPORTANT SAFETY INSTRUCTIONS

In this manual, on the labeling, and all other information provided with this product:



This is the safety alert symbol. It is used to alert you to potential personal injury hazards. Obey all safety messages that follow this symbol to avoid possible injury or death.

DANGER

DANGER indicates a hazardous situation which, if not avoided, will result in death or serious injury.

WARNING

WARNING indicates a hazardous situation which, if not avoided, could result in death or serious injury.

CAUTION

CAUTION, used with the safety alert symbol, indicates a hazardous situation which, if not avoided, could result in minor or moderate injury.

NOTICE

NOTICE is used to address practices not related to personal injury.

CAUTION

CAUTION, without the safety alert symbol, is used to address practices not related to personal injury.



READ ALL INSTRUCTIONS

Personal Safety

CAUTION:

To prevent injury:

1. Read ATV/mower manual before installation.
2. Wear ANSI-approved safety goggles and heavy-duty work gloves during installation and use. Use of face or dust mask is recommended if operation is dusty.
3. Keep clear of Turning Plate (16) during use.
4. Keep out of reach of children.
5. Secure Spreader attachment before use.
6. Replace fuse only with same type and rating.
7. Use for intended purposes only. Do not use for hauling.
8. Dress Properly - Do not wear loose clothing or jewelry. They can be caught in moving parts. Wear protective hair covering to contain long hair.

9.  **Wear thick jeans and steel-toed work boots to help prevent injury caused by flying debris.**
10. Stay alert - Watch what you are doing. Use common sense. Do not operate ATV Spreader when you are tired.
11.  **Do not grasp the exposed Turning Plate (16) edges when picking up or holding the Spreader.**
12. **Do not Use In Rain, or damp locations.**
13. **All visitors should be kept at a distance from work area.**
14. When servicing use only identical replacement parts.
15. Store Idle ATV Spreader Indoors, out of reach of children.
16. Maintain ATV Spreader With Care. Follow instructions for lubrication. Check for damaged parts. If anything irregular is found, the damage should be properly repaired by a qualified technician unless indicated elsewhere in this manual.
17. **Disconnect the ATV Spreader when not in use and/or before servicing.**
3. Never attempt to install this ATV Spreader to the ATV vehicle alone. Have another adult assist when attaching or detaching.
4. Refer to the material packaging, or bag safety instructions when handling all materials to be applied with this Spreader.
5. Before attaching this ATV Spreader, consideration must be given to the load capacity of the vehicle to be loaded. Be sure to account for the weight of this Spreader and the weight of the material being spread.
6. Maintain labels and nameplates on the appliance. These carry important safety information. If unreadable or missing, contact Harbor Freight Tools for a replacement.
7. The warnings, precautions, and instructions discussed in this instruction manual cannot cover all possible conditions and situations that may occur. It must be understood by the operator that common sense and caution are factors which cannot be built into this product, but must be supplied by the operator.

 **SAVE THESE INSTRUCTIONS.**

Specific Safety Rules

1. Care must be taken when lifting this ATV Spreader so as not to cause equipment damage and/or personal injury.
2. Remove any material in Hopper Assembly (8) before removing this ATV Spreader from the vehicle.

SPECIFICATIONS

Hopper Assembly Capacity	80 LB. Weight capacity. 1900 cu. in. Storage capacity
Drive Motor	12V Electric

UNPACKING

When unpacking, check to make sure that the item is intact and undamaged. If any parts are missing or broken, please call Harbor Freight Tools at the number shown on the cover of this manual as soon as possible.

SET UP INSTRUCTIONS



Read the **ENTIRE IMPORTANT SAFETY INSTRUCTIONS** section at the beginning of this manual including all text under subheadings therein before set up or use of this product.

Note: For additional information regarding the parts listed in the following pages, refer to the Assembly Diagram near the end of this manual.

Assembly

1. The ATV Spreader comes partially assembled.
2. Mount the two sides of the Frame Rail (21) to the Hopper Assembly (8) using Screws M5 x 35 (14).
3. Position the Gauge Assembly (22) to either Frame Rail (21) based on whether the Hopper Assembly (8) is to be mounted on the front, or rear rack of the ATV. If mounted on the rear rack, the Control Handle (25) should be on the right Frame Rail (21). If mounted on the front rack, place the Control Handle (25) on the Left Frame Rail (21). See **Figure 1** below.

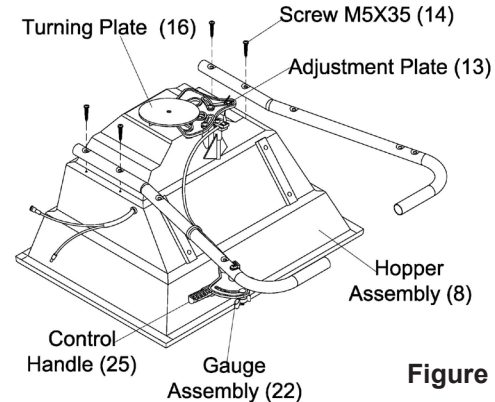


Figure 1

Switch Box Installation:

WARNING: To prevent serious injury, make sure the ATV is OFF before installing The Switch Box Assembly (31) .

1. Attach the Switch Box Assembly (31) to your ATV. Route cable ties through the two slots located on the Switch Box Assembly (31) and connect them onto the ATV Frame.

NOTE: Make sure the Switch Box Assembly (31) is secure before proceeding.

2. Connect the ATV Battery Terminals (31-3) to battery. Connect the white wire to the battery's positive pole, connect the black wire to the battery's negative pole .
3. Connect the Motor Terminal (31-4) to the Electric Motor (3) terminal.
4. Connect the ATV Battery Terminals (31-3) to the Motor Assembly using the Harness Connector. See parts list and assembly diagram page 7 and 8.

How to Attach to your ATV

1. Place the ATV Spreader (assembled), centered on the front, or rear luggage rack of your ATV. Use the J-Bolts (34), Press Plate (33) and Hex Nuts (32) to connect Frame Rail (21) to the luggage rack cross bar closest to the seat, or handlebars. Use the J-Bolts (34), Press Plate (33) and Hex Nuts (32) to attach the Spreader to the luggage rack, securing it to the outer most rail on the luggage rack.
2. **WARNING:** Prior to each use, inspect the mounting hardware and the ATV Spreader to ensure the tightness of the mount. If any hardware is loose, tighten securely before using the unit.

Functions

1. This ATV Spreader can be used to spread grass seed, fertilizer pellets, sand, ice-melt and any other type of seed or loose pellet type lawn care products.
2. **NOTE:** Not for powdered lawn products which are hard to adjust spread rates, or for heavy, mulch-type products which will clog the Turning Plate (16).

OPERATING INSTRUCTIONS



Read the **ENTIRE IMPORTANT SAFETY INFORMATION** section at the beginning of this manual including all text under subheadings therein before set up or use of this product.

1. Before operating the ATV Spreader, put on ANSI-approved safety goggles and other safety gear (not supplied).

2. An Adjustable Solid Stop is provided to allow the operator to adjust the Gauge Assembly (22) to the desired opening, allowing the correct amount of material to fall onto the Turning Plate (16) for disbursement. The "Solid Stop" will allow the operator to repeat the opening/closing without having to look at the control while operating the vehicle. It is set by using the Thumb Wing Nut (24) located on the Gauge Assembly (22). Establish the correct opening, then lock down the Thumb Wing Nut (24).
3. Measure off a distance of 50 feet on the surface you will be working. See **number 9** below.
4. Weight out enough of the material to fill the Hopper Assembly (8) at least half full. Record the weight for further use.
5. Set the Adjustable Solid Stop on the Gauge Assembly (22) to the desired opening and tighten the Thumb Wing Nut (24).
6. **NOTE:** Usually an approximate spreading rate is listed in material directions, or on the bag of the specific material you will use.
7. As you start driving the ATV through the work area, open the Control Handle (25) till it stops against the Adjustable Solid Stop.
8. Continue to spread the material till you cross the end of the area you are working. Close the Control Handle (25) to stop the flow of material onto the Turning Plate (16).

9. Empty the Hopper Assembly and re-weigh the material. By taking note of how much material you used and how wide the spreading area was, you can figure the correct rate of spread. This will help you maintain the correct spreading rate for your project.
10. To prevent accidents, turn off the ATV and disconnect the ATV Spreader after use. Clean, then store indoors out of children's reach.

- er. Check for loose screws, misalignment or binding of moving parts, cracked or broken parts, damaged electrical wiring, and any other condition that may affect its safe operation.
2. **AFTER USE**, clean external surfaces with clean, moist cloth.
3. Clean out the Hopper Assembly and using a shop vacuum (not supplied), clear all leftover material from the Turning Plate (16) and other areas of the Spreader.
4. Rinse the ATV Spreader with a hose and fresh clear water. Let dry before storing indoors away from children.
5. **NOTE:** If the ATV Spreader is to be left outside between jobs, always cover with the Rain Cover (1) to protect both the Spreader and any material that may be in the Hopper Assembly (8).

MAINTENANCE AND SERVICING



Procedures not specifically explained in this manual must be performed only by a qualified technician.

⚠️ WARNING TO PREVENT SERIOUS INJURY

FROM ACCIDENTAL OPERATION:

Turn the Power Switch of the vehicle to its "OFF" position before performing any inspection, maintenance, or cleaning procedures.

TO PREVENT SERIOUS INJURY FROM TOOL FAILURE:

Do not use damaged equipment. If abnormal noise or vibration occurs, have the problem corrected before further use.

Cleaning, Maintenance, and Lubrication

1. **BEFORE EACH USE**, inspect the general condition of the ATV Spread-

PLEASE READ THE FOLLOWING CAREFULLY

THE MANUFACTURER AND/OR DISTRIBUTOR HAS PROVIDED THE PARTS LIST AND ASSEMBLY DIAGRAM IN THIS MANUAL AS A REFERENCE TOOL ONLY. NEITHER THE MANUFACTURER OR DISTRIBUTOR MAKES ANY REPRESENTATION OR WARRANTY OF ANY KIND TO THE BUYER THAT HE OR SHE IS QUALIFIED TO MAKE ANY REPAIRS TO THE PRODUCT, OR THAT HE OR SHE IS QUALIFIED TO REPLACE ANY PARTS OF THE PRODUCT. IN FACT, THE MANUFACTURER AND/OR DISTRIBUTOR EXPRESSLY STATES THAT ALL REPAIRS AND PARTS REPLACEMENTS SHOULD BE UNDERTAKEN BY CERTIFIED AND LICENSED TECHNICIANS, AND NOT BY THE BUYER. THE BUYER ASSUMES ALL RISK AND LIABILITY ARISING OUT OF HIS OR HER REPAIRS TO THE ORIGINAL PRODUCT OR REPLACEMENT PARTS THERETO, OR ARISING OUT OF HIS OR HER INSTALLATION OF REPLACEMENT PARTS THERETO.

Troubleshooting

Problem	Possible Causes	Likely Solutions
Control Handle will not open/close Gauge Assembly.	1. Material clogging port of Gauge Assembly (22) and/or Adjustment Plate (13).	1. Check both Gauge Assembly (22) and Adjustment Plate (13) and clear debris if necessary.
Material not spreading at proper rate.	1. Wrong opening on Gauge Assembly (22).	1. Loosen Thumb Wing Nut (24) and open/close accordingly and re-adjust if necessary.



Follow all safety precautions whenever diagnosing or servicing the appliance. Turn off ATV and remove Spreader from vehicle before service.

PARTS LIST

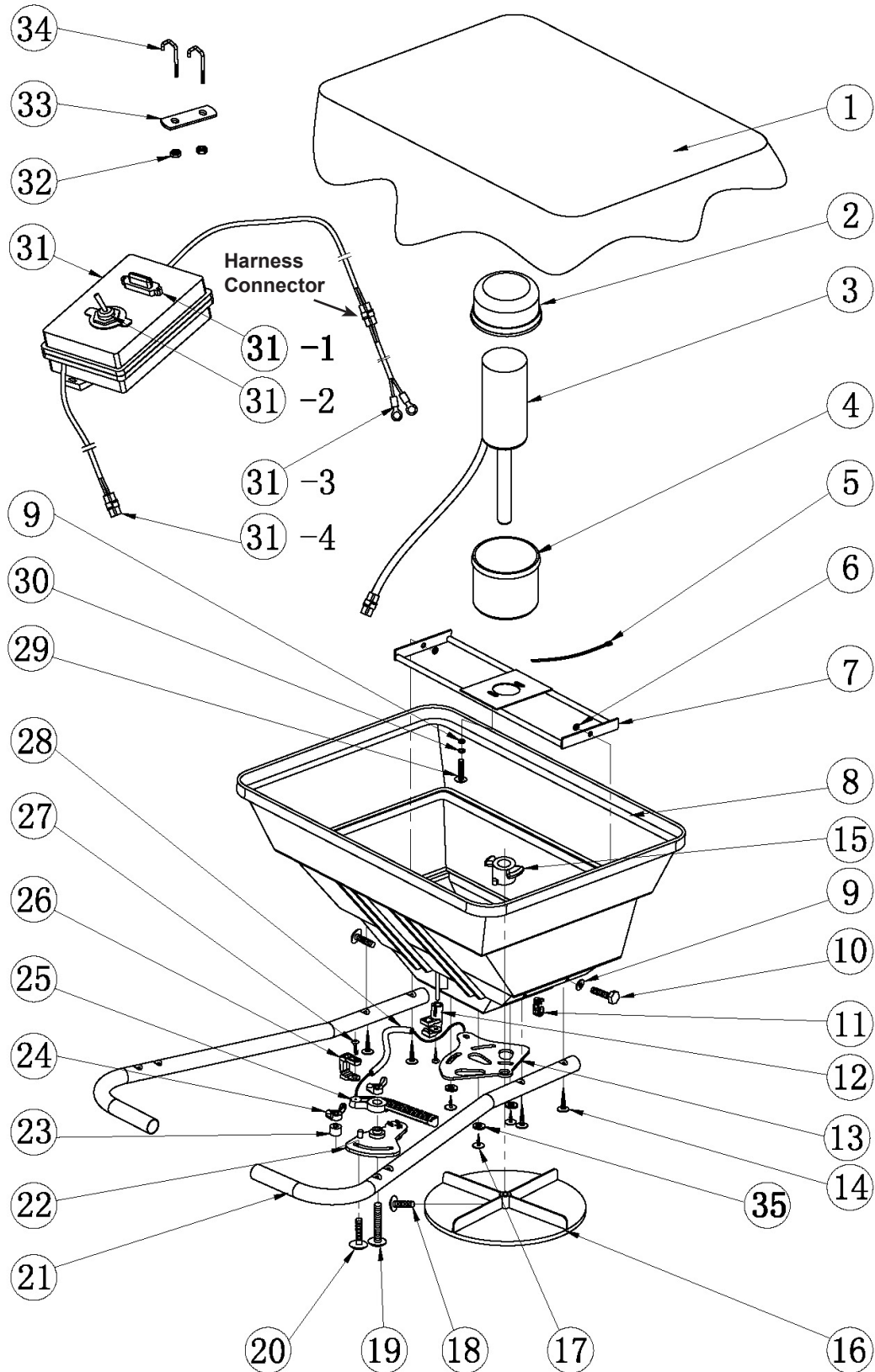
Part #	Description	Q'ty	Part #	Description	Q'ty
1	Rain Cover	1	20	Hex Bolt M6X30	1
2	Electric Motor Lid	1	21	Frame Rail	2
3	Electric Motor	1	22	Gauge Assembly	1
4	Electric Motor Cover	1	23	Spacer	1
5	Tie	1	24	Thumb Wing Nut M6	2
6	Unlock Nut	2	25	Control Handle	1
7	Motor Support	1	26	Wire Adjustment Clip B	1
8	Hopper Assembly	1	27	Wood Screw M4.5X18	2
9	Flat Washer	4	28	Adjustment Wire	1
10	Hex Bolt M6X15	2	29	Phillips Screw M6X15	2
11	Wire Clamp	1	30	Lock Washer	2
12	Wire Adjustment Clip A	1	31	Switch Box Assembly	1
13	Adjustment Plate	1	31-1	Fuse	1
14	Screw M5X35	4	31-2	Switch	1
15	Center Spacer	1	31-3	ATV Battery Terminals	1
16	Turning Plate	1	31-4	Motor Terminal	1
17	Wood Screw M4.5X10	3	32	Hex Nut M6	8
18	Phillips Screw M4X20	1	33	Press Plate	4
19	Phillips Screws M6X45	1	34	J-Bolt	8

Record Product's Serial Number Here: _____

Note: If product has no serial number, record month and year of purchase instead.

Note: Some parts are listed and shown for illustration purposes only, and are not available individually as replacement parts.

ASSEMBLY DIAGRAM



Free Manuals Download Website

<http://myh66.com>

<http://usermanuals.us>

<http://www.somanuals.com>

<http://www.4manuals.cc>

<http://www.manual-lib.com>

<http://www.404manual.com>

<http://www.luxmanual.com>

<http://aubethermostatmanual.com>

Golf course search by state

<http://golfingnear.com>

Email search by domain

<http://emailbydomain.com>

Auto manuals search

<http://auto.somanuals.com>

TV manuals search

<http://tv.somanuals.com>