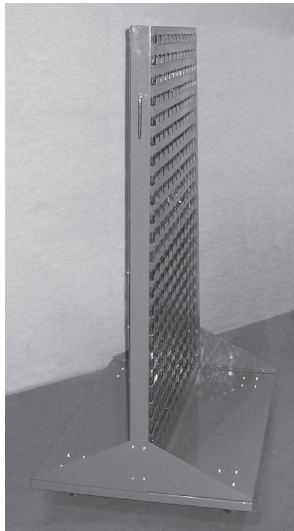


Storehouse™

Two Sided Mobile Cart Without Bins

Model 93578

ASSEMBLY AND OPERATING INSTRUCTIONS



3491 Mission Oaks Blvd., Camarillo, CA 93011

Visit our Web site at <http://www.harborfreight.com>

Copyright © 2005 by Harbor Freight Tools®. All rights reserved. No portion of this manual or any artwork contained herein may be reproduced in any shape or form without the express written consent of Harbor Freight Tools.

For technical questions and replacement parts, please call 1-800-444-3353

Specifications

Construction	Powder Coated Steel Frame	Weight Capacity:	500 Lbs. (evenly distributed)
Caster Wheels:	Rubber Wheels 2.89" Dia. x 1.16" W	Bin Capacity:	48 Large Size Bins (not included)
Overall Dimensions:	54- $\frac{1}{4}$ "H x 36- $\frac{1}{4}$ "W x 25- $\frac{1}{2}$ " D Base: 11-15/16"D x 36- $\frac{1}{4}$ "W	Net Weight	89 lbs.

This rugged bin cart is durable, useful and adaptable to the size bins you need. The powder-coated steel body is rust and weather resistant. The rubber casters add mobility. You can load up to 48 large bins as shown in photo, or more small bins.

Save This Manual

You will need the manual for the safety warnings and precautions, assembly instructions, operating and maintenance procedures, parts list and diagram. Keep your invoice with this manual. Write the invoice number on the inside of the front cover. Keep the manual and invoice in a safe and dry place for future reference.

Unpacking

When unpacking, check to make sure that all parts listed in the parts list on page 5 are included.

Safety Warnings and Precautions

WARNING: When using workshop items, basic safety precautions should always be followed to reduce the risk of personal injury and damage to equipment.

Read all instructions before using this item!

1. **Keep work area clean.** Cluttered areas invite injuries.
2. **Observe work area conditions.** Keep work area well lighted.
3. **Keep children away.** Children must never be allowed in the work area. Do not let them handle machines or tools. Do not let unsupervised children play with this product. Serious injury could result.
4. **Store idle equipment.** When not in use, equipment must be stored in a dry location to inhibit rust. Always lock up equipment and keep out of reach of children.

5. **Use the right tool for the job.** Do not attempt to force a small item to do the work of a larger industrial item. Do not modify this item and do not use this item for a purpose for which it was not intended.
6. **Do not overreach.** Keep proper footing and balance at all times. Do not stand on this Mobile Cart. When unattended, be sure it will not accidentally roll away.
7. **Maintain Mobile Cart with care.** Follow instructions for maintenance. The Mobile Cart must be kept clean, dry, and free from oil and grease at all times.
8. **Stay alert.** Watch what you are doing, use common sense. Do not operate any item when you are tired.
9. **Do not wear loose clothing.** Do not allow loose clothing, hair or hands to get caught in the moving parts of this mobile cart.
10. **Check for damaged parts.** Before using any item, any part that appears damaged should be carefully checked to determine that it will operate properly and perform its intended function. Check for alignment and binding of moving parts; any broken parts or mounting fixtures; and any other condition that may affect proper operation. Any part that is damaged should be properly repaired or replaced by a qualified technician.
11. **Replacement parts and accessories.** When servicing, use only identical replacement parts.
12. **Use eye and ear protection.** Always wear ANSI-approved impact safety goggles when assembling this item.
13. **Do not operate item if under the influence of alcohol or drugs.** Read warning labels on prescriptions to determine if your judgment or reflexes are impaired while taking drugs. If there is any doubt, do not operate the item.
14. **Maintenance.** For your safety, service and maintenance should be performed regularly by a qualified technician.

Warning: The warnings, cautions, and instructions discussed in this instruction manual cannot cover all possible conditions and situations that may occur. It must be understood by the operator that common sense and caution are factors which cannot be built into this product, but must be supplied by the operator.

Assembly

You will need small hand tools (screwdriver, pliers) to complete assembly of this item. (Tools are not included.) These tools may be obtained from Harbor Freight Tools.

WARNING: *Be careful not to pinch your fingers as you proceed with assembly.*

Please refer to the Assembly Diagram on page 6 as you work.

1. STEP 1: Assemble the Handles (B) to the Frame (A) using Bolts (H1).
2. Assemble Left and Right Gussets (C and D) to the Frame A using fasteners (H2, H3, H4, and H5). Tighten all fasteners firmly.
3. STEP 2: Attach Louver Rack (E) to the prior assembly using fasteners (H6 and H7). Tighten securely.
4. STEP 3: Assemble the Casters (G) to the Caster Base (F) using fasteners (H8, H9, H10, and H11). Tighten securely.
5. STEP 4: Attach the unit completed in STEP 2 to the Caster Base assembly using fasteners (H2, H3, H4 and H5). Tighten firmly.

Warning: Be aware of a possible tipping hazard; always store heavier items towards the base, and keep weight evenly distributed in the bins.

Optional Bins

Optional bins to fit this rack may be purchased from Harbor Freight tools. Please refer to the photo on page 5 for a suggested configuration.

Maintenance

1. Do not overload the Bin Cart. Be aware that a few pounds in each of many optional bins may add up to a large weight. The max. weight rating of this cart is 500 lbs.
2. Regularly check the many fasteners holding this cart together to ensure that they are correctly in place and firmly tight. Tighten or replace as necessary.
3. Protect the bin cart from excessive exposure to direct sunlight, rain, freezing and other weather. Store the bin cart in a dry, protected place when not in use.
4. Keep the bin cart clean, free from dirt, oil and corrosive materials. Protect it from wet conditions which may cause rust.



Bin Cart shown with optional bins in place.

Parts List

COMPONENTS

Part	Description	QTY.
A	Frame	1
B	Handle	2
C	Left Gusset Plate	2
D	Right Gusset Plate	2
E	Louver Rack	2
F	Caster Base	1
G	3" Casters	4

HARDWARE

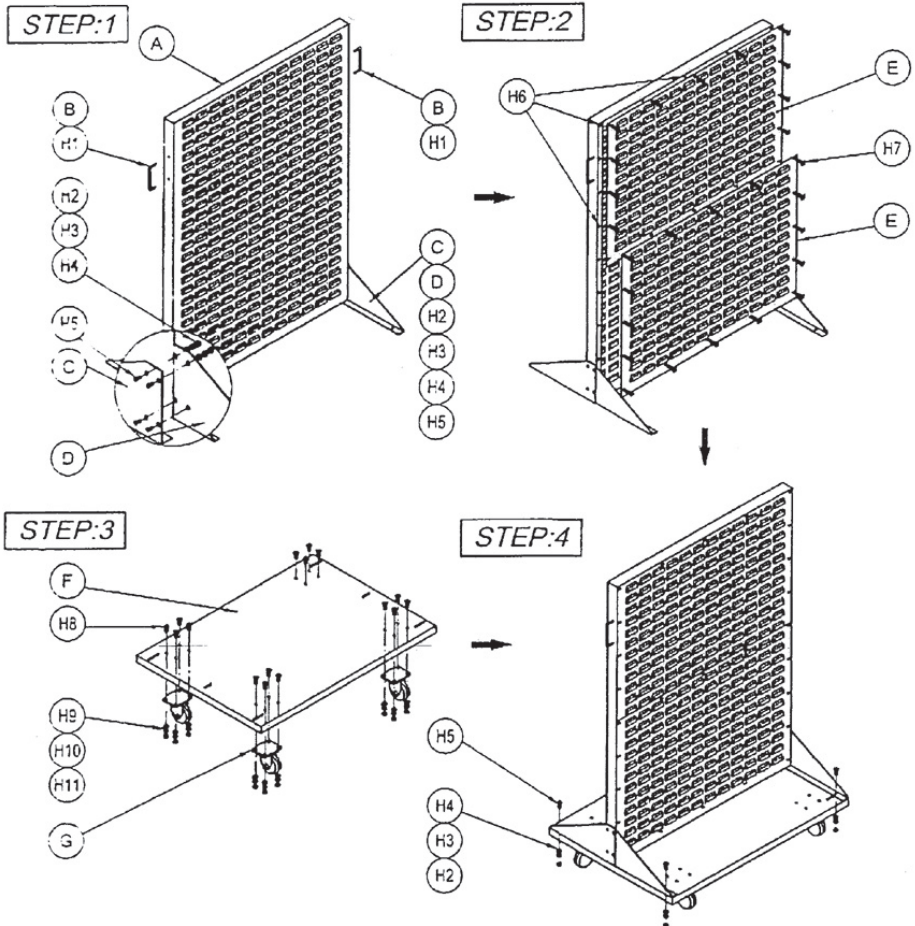
Part	Description	QTY.
H1	Bolt m4x9	4
H2	Nut m6	12
H3	Spring Washer m6	12
H4	Flat Washer m6	12
H5	Bolt m6x16	12
H6	Spring Clip	27

Part	Description	Qty.
H7	Self-tapping Screw	27
H8	Screw m6x15	16
H9	Flat Washer m6	16
H10	Spring Washer m6	16
H11	Nut m6	16

NOTE: Some parts are listed and shown for illustration purposes only and are not available individually as replacement parts.

REV 04/06

Assembly Diagram



PLEASE READ THE FOLLOWING CAREFULLY

THE MANUFACTURER AND/OR DISTRIBUTOR HAS PROVIDED THE PARTS DIAGRAM IN THIS MANUAL AS A REFERENCE TOOL ONLY. NEITHER THE MANUFACTURER NOR DISTRIBUTOR MAKES ANY REPRESENTATION OR WARRANTY OF ANY KIND TO THE BUYER THAT HE OR SHE IS QUALIFIED TO MAKE ANY REPAIRS TO THE PRODUCT OR THAT HE OR SHE IS QUALIFIED TO REPLACE ANY PARTS OF THE PRODUCT. IN FACT, THE MANUFACTURER AND/OR DISTRIBUTOR EXPRESSLY STATES THAT ALL REPAIRS AND PARTS REPLACEMENTS SHOULD BE UNDERTAKEN BY CERTIFIED AND LICENSED TECHNICIANS AND NOT BY THE BUYER. THE BUYER ASSUMES ALL RISK AND LIABILITY ARISING OUT OF HIS OR HER REPAIRS TO THE ORIGINAL PRODUCT OR REPLACEMENT PARTS THERETO, OR ARISING OUT OF HIS OR HER INSTALLATION OF REPLACEMENT PARTS THERETO.

Free Manuals Download Website

<http://myh66.com>

<http://usermanuals.us>

<http://www.somanuals.com>

<http://www.4manuals.cc>

<http://www.manual-lib.com>

<http://www.404manual.com>

<http://www.luxmanual.com>

<http://aubethermostatmanual.com>

Golf course search by state

<http://golfingnear.com>

Email search by domain

<http://emailbydomain.com>

Auto manuals search

<http://auto.somanuals.com>

TV manuals search

<http://tv.somanuals.com>