

CHICAGO

Electric® Power Tools

4" TABLE SAW

WITH 2 BLADES

Model 93211

ASSEMBLY AND OPERATING INSTRUCTIONS



Visit our website at: <http://www.harborfreight.com>



**Read this material before using this product.
Failure to do so can result in serious injury.
SAVE THIS MANUAL.**

Copyright© 2005 by Harbor Freight Tools®. All rights reserved. No portion of this manual or any artwork contained herein may be reproduced in any shape or form without the express written consent of Harbor Freight Tools. Diagrams within this manual may not be drawn proportionally. Due to continuing improvements, actual product may differ slightly from the product described herein. Tools required for assembly and service may not be included.

For technical questions or replacement parts, please call 1-800-444-3353.

Revised Manual 11e

Specifications

Motor	120 Volts AC /60 Hz / 90 Watts / $\frac{1}{8}$ HP / 14,000 no load RPM 14,000 RPM Minimum Accessory Rating
Depth of Cut	3/4"
Table	Two miter slots, 3/8" each with miter gauge; 7-1/2" L x 5-1/2" W
Arbor Diameter	$\frac{1}{2}$ "
Power Cord	5', 18 Gauge, 3-prong plug
Blades	4" Dry Diamond Blade 4" x 40 T Manganese Steel Saw Blade
Net Weight	6.8 Lbs.

Save This Manual

You will need the manual for the safety warnings and precautions, assembly instructions, operating and maintenance procedures, parts list and diagram. Keep your invoice with this manual. Write the invoice number on the inside of the front cover. Keep the manual and invoice in a safe and dry place for future reference.

Safety Warnings and Precautions

WARNING: When using this tool, basic safety precautions should always be followed to reduce the risk of personal injury and damage to equipment.

Read all instructions before using this tool!

1. **Keep work area clean.** Cluttered areas invite injuries.
2. **Observe work area conditions.** Do not use machines or power tools in damp or wet locations. Don't expose to rain. Keep work area well lighted. Do not use electrically powered tools in the presence of flammable gases or liquids.
3. **Keep children away.** Children must never be allowed in the work area. Do not let them handle machines, tools, or extension cords.
4. **Store idle equipment.** When not in use, tools must be stored in a dry location to inhibit rust. Always lock up tools and keep out of reach of children.
5. **Do not force tool.** It will do the job better and more safely at the rate for which it was intended. Do not use inappropriate attachments in an attempt to exceed the tool capacity.
6. **Use the right tool for the job.** Do not attempt to force a small tool or attachment to do the work of a larger industrial tool. There are certain applications for which this tool was designed. Do not modify this tool and do not use this tool for a purpose for which it was not intended.

REV 06c

SKU 93211 **For technical questions, please call 1-800-444-3353.** Page 2

7. **Dress properly.** Do not wear loose clothing or jewelry as they can be caught in moving parts. Protective, electrically nonconductive clothes and nonskid footwear are recommended when working. Wear restrictive hair covering to contain long hair.
8. **Use eye and ear protection.** Always wear ANSI-approved impact safety goggles. Wear a full face shield if you are producing metal filings or wood chips. Wear an ANSI-approved dust mask or respirator when working around metal, wood, and chemical dusts and mists. The included eye guard is intended to supplement eye protection, NOT replace it.
9. **Do not overreach.** Keep proper footing and balance at all times. Do not reach over or across running machines.
10. **Maintain tools with care.** Keep tools sharp and clean for better and safer performance. Follow instructions for lubricating and changing accessories. Inspect tool cords periodically and, if damaged, have them repaired by an authorized technician. The handles must be kept clean, dry, and free from oil and grease at all times.
11. **Disconnect power.** Unplug tool when not in use.
12. **Remove adjusting keys and wrenches.** Check that adjusting wrenches are removed from the tool or machine work surface before plugging it in.
13. **Avoid unintentional starting.** Be sure the switch is in the Off position when not in use and before plugging in.
14. **Stay alert.** Watch what you are doing, use common sense. Do not operate any tool when you are tired.
15. **Check for damaged parts.** Before using any tool, any part that appears damaged should be carefully checked to determine that it will operate properly and perform its intended function. Check for alignment and binding of moving parts; any broken parts or mounting fixtures; and any other condition that may affect proper operation. Any part that is damaged should be properly repaired or replaced by a qualified technician. Do not use the tool if any switch does not turn On and Off properly.
16. **Guard against electric shock.** Prevent body contact with grounded surfaces such as pipes, radiators, ranges, and refrigerator enclosures.
17. **Do not operate tool if under the influence of alcohol or drugs.** Read warning labels on prescriptions to determine if your judgment or reflexes are impaired while taking drugs. If there is any doubt, do not operate the tool.
18. **Replacement parts and accessories.** When servicing, use only identical replacement parts. Use of any other parts will void the warranty. Only use ac-

cessories intended for use with this tool. Approved accessories are available from Harbor Freight Tools.

19. **Use proper size and type extension cord.** If an extension cord is required, it must be of the proper size and type to supply the correct current to the tool without heating up. Otherwise, the extension cord could melt and catch fire, or cause electrical damage to the tool. This tool requires use of an extension cord of 0 to **10 amps** capability (up to 50 feet), with wire size rated at **18 AWG**. Longer extension cords require larger size wire. If you are using the tool outdoors, use an extension cord rated for outdoor use (signified by “WA” on the jacket).
20. **Maintenance.** For your safety, service and maintenance should be performed regularly by a qualified technician.
21. **Warning:** People with pacemakers should consult their physician(s) before using this product. Electromagnetic fields in close proximity to a heart pacemaker could cause interference to or failure of the pacemaker.
22. **Take caution as some woods contain preservatives such as copper chromium arsenate (CCA) which can be toxic.** When cutting these materials extra care should be taken to avoid inhalation and minimize skin contact.
23. **WARNING:** Some dust created by power sanding, sawing, grinding, drilling, and other construction activities, contains chemicals known [to the State of California] to cause cancer, birth defects or other reproductive harm. Some examples of these chemicals are:
 - *Lead from lead-based paints
 - *Crystalline silica from bricks and cement or other masonry products
 - *Arsenic and chromium from chemically treated lumberYour risk from these exposures varies, depending on how often you do this type of work. To reduce your exposure to these chemicals: work in a well ventilated area, and work with approved safety equipment, such as those dust masks that are specially designed to filter out microscopic particles. (California Health & Safety Code § 25249.5, et seq.)

Note: Performance of this tool (if powered by line voltage) may vary depending on variations in local line voltage. Extension cord usage may also affect tool performance.

Warning: The warnings, cautions, and instructions discussed in this instruction manual cannot cover all possible conditions and situations that may occur. It must be understood by the operator that common sense and caution are factors which cannot be built into this product, but must be supplied by the operator.

Unpacking

When unpacking, check to make sure that the product is intact and undamaged. If any parts are missing or broken, please call Harbor Freight Tools at the number on the cover of this manual.

Important

BEFORE first use, the Guard (4) and Eye Guard (5) must be properly installed.

1. Remove the Screw (6) at the end of the Guard (4). Align the hole in the center of the Eye Guard (5) with the hole in the Guard (4).
2. The hole in the Eye Guard (5) is countersunk to accommodate the Screw. Make sure to install it the right way. Secure using the Screw (6), while being careful not to overtighten.
3. Swing the Guard Bracket (1) up and remove the top Screw (3). Slide the Guard (4) over the Bracket, aligning the holes in the Guard with the hole in the Bracket. Make sure that the Eye Guard is on the top side of the guard and that the rounded underside of the Guard rests over the blade.
4. Install the Screw (3) to secure the Guard in place.

Changing/Replacing/Installing the Blades

1. Be sure the Table Saw is unplugged before you begin installing or changing the accessories.
2. You will need two adjustable Wrenches (not included) to install, change or replace the Blades. Use one wrench to hold the Blade Spindle Lock Nut (14) in place and the other wrench to turn the Mounting Nut (10). See Assembly Diagram on Page 7.
3. Remove the Mounting Nut and the Right Blade Bushing (11). Slide the Blade (12a,b) over the arbor, in line with the Left Blade Bushing (13). Replace the Right Blade Bushing and the Mounting Nut. Tighten with the wrench.

Operation

1. Place your Table Saw on a flat, level surface capable of supporting weight of Table Saw and material being cut before use. Always wear ANSI-approved safety goggles when operating this tool and ensure that all guards are in place and in proper working order.
2. Mark your work pieces with a pencil or other writing instrument before you begin cutting. Loosen the Knob (7) on the Straight Edge Guide (8) and turn the Guide to the appropriate angle for your specific cutting requirements. Tighten the Knob to hold the Guide in place.
3. Plug in the Power Cord (24).
4. Lift the Eye Guard (5) and slide the Straight Edge Guide out far enough to allow you to lay your work piece flat on the Table (32). Lower the Eye Guard onto your work piece. **Never remove the Guard (4) or attempt to operate this tool without the Eye Guard (5) in place.**
5. Flip the Power Switch (18) to the On position.
6. Using the Straight Edge Guide to hold your work piece steady, gently feed your work piece toward the Blade. **Keep your fingers and all other body parts away from the Blade at all times.** If your work piece is particularly small, you may want to use another small piece of wood or other material to push your work piece toward the Blade. Do not push forcefully against the Blade, or use materials that are particularly difficult to cut. If the Blade slows down as you are feeding your work piece toward it, you are pushing too forcefully, or the material is too hard for this tool to cut.

Parts List

Part	Description	Qty.	Part	Description	Qty.
1	Guard Bracket	1	17	Motor Base	1
2	Washer	4	18	Power Switch	1
3	Screw	2	19	Screw	1
4	Guard	1	20	Cover	1
5	Eye Guard	1	21	Screw	4
6	Screw	1	23	Foot	4
7	Knob	1	24	Power Cord	1
8	Straightedge Guide	1	25	Screw	2
9	Straightedge Shaft	1	26	Washer	2
10	Mounting Nut	1	27	Cord Strain Relief	1
11	Rt. Blade Bushing	1	28	Vibration Absorption Pad	4
12a	Manganese Steel Blade, 40 T	1	29	Motor	1
12b	Diamond-Coated Blade	1	30	Screw	1
13	Lt. Blade Bushing	1	31	Wing Nut	2
14	Blade Spindle Lock Nut	1	32	Table	1
15	Depth Adjustment Handle	1	34	Switch Plate	1
16	Washer	1	35	Screw	2

LIMITED 90 DAY WARRANTY

Harbor Freight Tools Co. makes every effort to assure that its products meet high quality and durability standards, and warrants to the original purchaser that this product is free from defects in materials and workmanship for the period of 90 days from the date of purchase. This warranty does not apply to damage due directly or indirectly, to misuse, abuse, negligence or accidents, repairs or alterations outside our facilities, criminal activity, improper installation, normal wear and tear, or to lack of maintenance. We shall in no event be liable for death, injuries to persons or property, or for incidental, contingent, special or consequential damages arising from the use of our product. Some states do not allow the exclusion or limitation of incidental or consequential damages, so the above limitation of exclusion may not apply to you. THIS WARRANTY IS EXPRESSLY IN LIEU OF ALL OTHER WARRANTIES, EXPRESS OR IMPLIED, INCLUDING THE WARRANTIES OF MERCHANTABILITY AND FITNESS.

To take advantage of this warranty, the product or part must be returned to us with transportation charges prepaid. Proof of purchase date and an explanation of the complaint must accompany the merchandise. If our inspection verifies the defect, we will either repair or replace the product at our election or we may elect to refund the purchase price if we cannot readily and quickly provide you with a replacement. We will return repaired products at our expense, but if we determine there is no defect, or that the defect resulted from causes not within the scope of our warranty, then you must bear the cost of returning the product.

This warranty gives you specific legal rights and you may also have other rights which vary from state to state.

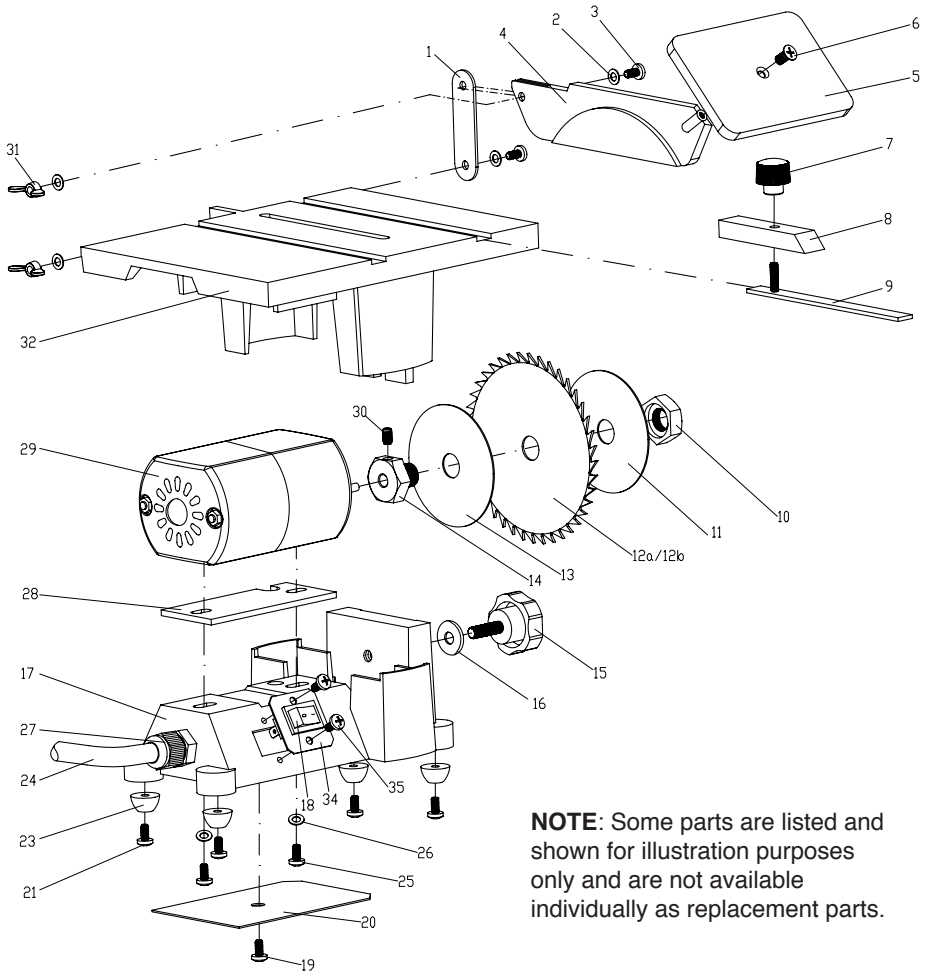
3491 Mission Oaks Blvd. • PO Box 6009 • Camarillo, CA 93011 • (800) 444-3353

REV 06c; 09e

SKU 93211 **For technical questions, please call 1-800-444-3353.** Page 7

Download from www.Somanuals.com. All Manuals Search And Download.

Assembly Drawing



NOTE: Some parts are listed and shown for illustration purposes only and are not available individually as replacement parts.

PLEASE READ THE FOLLOWING CAREFULLY

THE MANUFACTURER AND/OR DISTRIBUTOR HAS PROVIDED THE PARTS DIAGRAM IN THIS MANUAL AS A REFERENCE TOOL ONLY. NEITHER THE MANUFACTURER NOR DISTRIBUTOR MAKES ANY REPRESENTATION OR WARRANTY OF ANY KIND TO THE BUYER THAT HE OR SHE IS QUALIFIED TO MAKE ANY REPAIRS TO THE PRODUCT OR THAT HE OR SHE IS QUALIFIED TO REPLACE ANY PARTS OF THE PRODUCT. IN FACT, THE MANUFACTURER AND/OR DISTRIBUTOR EXPRESSLY STATES THAT ALL REPAIRS AND PARTS REPLACEMENTS SHOULD BE UNDERTAKEN BY CERTIFIED AND LICENSED TECHNICIANS AND NOT BY THE BUYER. THE BUYER ASSUMES ALL RISK AND LIABILITY ARISING OUT OF HIS OR HER REPAIRS TO THE ORIGINAL PRODUCT OR REPLACEMENT PARTS THERETO, OR ARISING OUT OF HIS OR HER INSTALLATION OF REPLACEMENT PARTS THERETO.

REV 06c

SKU 93211

For technical questions, please call 1-800-444-3353.

Page 8

Download from www.Somanuals.com. All Manuals Search And Download.

Free Manuals Download Website

<http://myh66.com>

<http://usermanuals.us>

<http://www.somanuals.com>

<http://www.4manuals.cc>

<http://www.manual-lib.com>

<http://www.404manual.com>

<http://www.luxmanual.com>

<http://aubethermostatmanual.com>

Golf course search by state

<http://golfingnear.com>

Email search by domain

<http://emailbydomain.com>

Auto manuals search

<http://auto.somanuals.com>

TV manuals search

<http://tv.somanuals.com>