

# Item #41345

## Self Centering Doweling Jig Assembly and Operating Instructions

Visit Our Web Site  
<http://www.harborfreight.com>



3491 Mission Oaks Blvd., Camarillo, CA 93011

Copyright© 2000 by Harbor Freight Tools. All rights reserved. No portion of this manual or any artwork contained herein may be reproduced in any shape or form without the express written consent of Harbor Freight Tools.

**For technical questions please call Harbor Freight Tools  
at telephone number 1-800-444-3353.**

### Specifications:

**Length: 4-3/4"      Height: 2-1/2"      Width: 4" Extended**  
**Maximum Capacity: 2" Stock**  
**Bushing Set: 2 each of 1/4", 5/16" and 3/8"**

**Note:** There are 4 holes along the top of the Jig. Only 2 of the holes accept threaded bushings. The other 2 holes accept 7/16" and 1/2" drill bits.

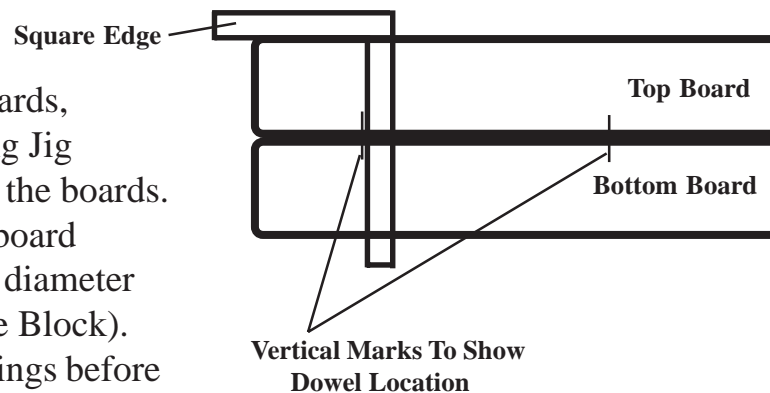
## Warning:

1. Read this instruction manual completely before using the Self Centering Doweling Jig.
2. Always wear ANSI approved safety goggles when working with tools and equipment. Wear a full face shield if you are producing wood chips.
3. Keep children out of the work area. When not in use, store this product in a location that is out of reach of children.
4. Keep work area clean. Cluttered areas invite injuries.
5. Observe work area conditions. Do not use tools in damp, wet, or poorly lit locations. Don't expose to rain. Keep work area well lit.
6. Do not force the tool. It will do the job better and more safely at the rate for which it was intended. Do not use inappropriate attachments in an attempt to exceed the tool's capacities.
7. Dress properly. Do not wear loose clothing or jewelry as they can be caught in moving parts. Non-skid footwear is recommended. Wear restrictive hair covering to contain long hair.
8. Stay alert. Watch what you are doing. Use common sense. Do not operate any tool when you are tired.

## Direction for Use:

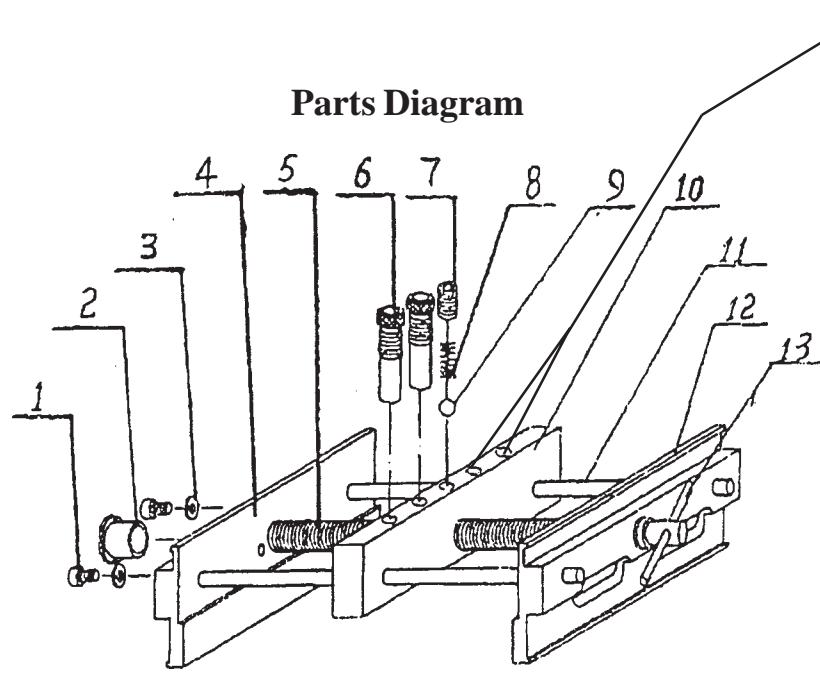
1. Line up the two boards that are to be connected by the dowels. On the side of each board, draw a vertical mark to show where the dowels are to be located (see illustration below).

2. Separate the two boards, and clamp the Doweling Jig over the edge of one of the boards. Align the mark on the board with the desired dowel diameter (see hole sizes in Guide Block). Insert appropriate bushings before drilling the dowel hole to the depth desired. The drilled hole will be exactly in the center of the board edge.



3. With the dowel holes precisely drilled, it is easy to assemble the two boards together. Put glue in the holes and on the dowels. Insert the dowels into the holes and tightly clamp the boards until glue has dried.
4. The Self Centering Doweling Jig can be used to make accurate butt joints, miter joints, and edge joints, as well as acting as a mortising guide.

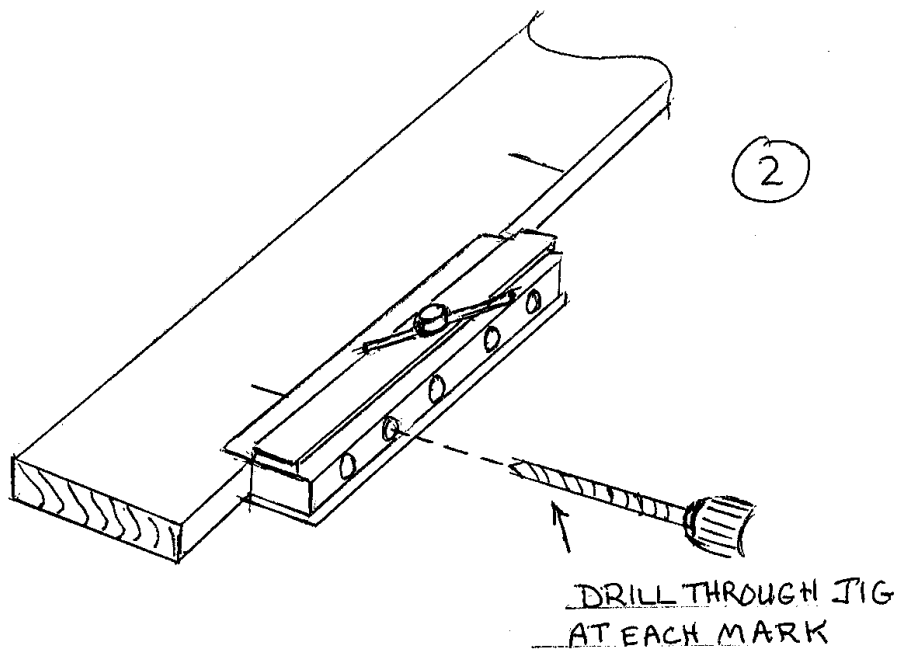
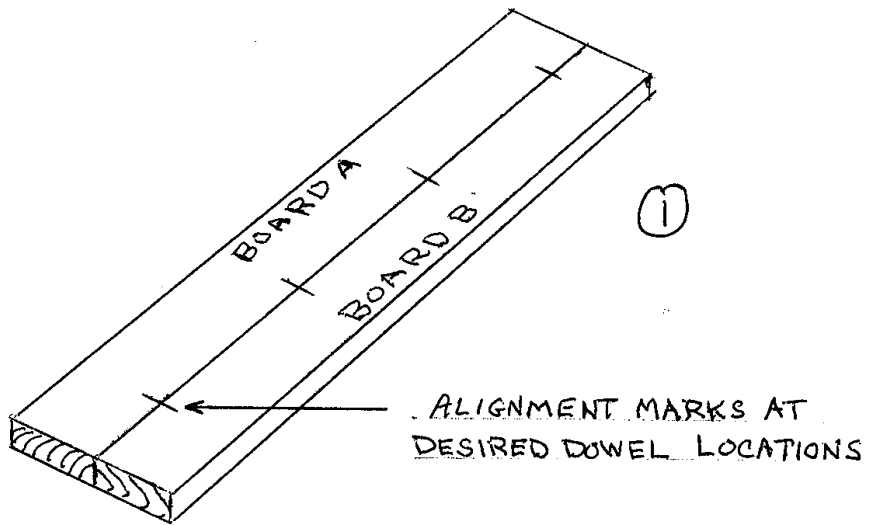
Parts Listing					
Part #	Description	Qty	Part #	Description	Qty
1	Screw	2	8	Spring	1
2	Adjustment Nut	1	9	Steel Ball	1
3	Washer	2	10	Guide Block	1
4	Rear Pressing Block	1	11	Leading Shaft	2
5	Screw Arbor	1	12	Front Pressing Block	1
6	Bushing	6	13	Handle	1
7	Spring Screw	1			



**Note:** There are 4 holes along the top of the Jig. Only 2 of the holes accept threaded bushings. The other 2 holes accept 7/16" and 1/2" drill bits.

PLEASE READ THE FOLLOWING CAREFULLY

THE MANUFACTURER AND/OR DISTRIBUTOR HAS PROVIDED THE PARTS DIAGRAM IN THIS MANUAL AS A REFERENCE TOOL ONLY. NEITHER THE MANUFACTURER NOR DISTRIBUTOR MAKES ANY REPRESENTATION OR WARRANTY OF ANY KIND TO THE BUYER THAT HE OR SHE IS QUALIFIED TO MAKE ANY REPAIRS TO THE PRODUCT OR THAT HE OR SHE IS QUALIFIED TO REPLACE ANY PARTS OF THE PRODUCT. IN FACT, THE MANUFACTURER AND/OR DISTRIBUTOR EXPRESSLY STATES THAT ALL REPAIRS AND PARTS REPLACEMENTS SHOULD BE UNDERTAKEN BY CERTIFIED AND LICENSED TECHNICIANS AND NOT BY THE BUYER. THE BUYER ASSUMES ALL RISK AND LIABILITY ARISING OUT OF HIS OR HER REPAIRS TO THE ORIGINAL PRODUCT OR REPLACEMENT PARTS THERETO, OR ARISING OUT OF HIS OR HER INSTALLATION OF REPLACEMENT PARTS THERETO.



## Free Manuals Download Website

<http://myh66.com>

<http://usermanuals.us>

<http://www.somanuals.com>

<http://www.4manuals.cc>

<http://www.manual-lib.com>

<http://www.404manual.com>

<http://www.luxmanual.com>

<http://aubethermostatmanual.com>

Golf course search by state

<http://golfingnear.com>

Email search by domain

<http://emailbydomain.com>

Auto manuals search

<http://auto.somanuals.com>

TV manuals search

<http://tv.somanuals.com>