

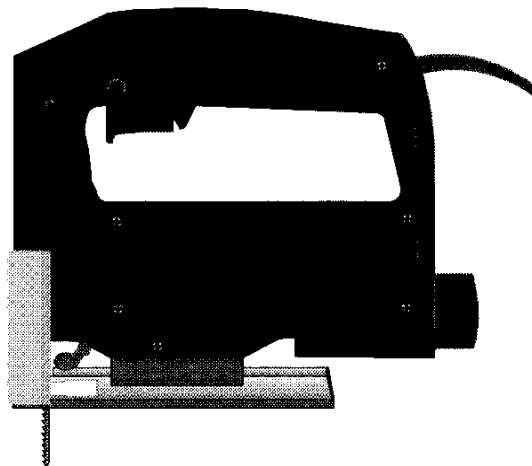
CHICAGO

Electric Power Tools

JIGSAW

Model 33710

ASSEMBLY & OPERATING INSTRUCTIONS



3491 Mission Oaks Blvd. / Camarillo, CA 93011

Copyright © 1997 by Harbor Freight Tools. All rights reserved.
No portion of this manual or any artwork contained herein may be reproduced in any shape or form without the express written consent of Harbor Freight Tools.

For technical questions and replacement parts, please call 1-800-444-3353.

SPECIFICATION

Item #	33710
Volts	110 VAC, 60 HZ
Amps	2.1
Blade	1/4" Shank
Stroke Length	3/4
Weight	3 1/2 lbs.
Size	7" x 2 1/2" x 7 1/4"
Replacement Blades	SKU # 2713 - Universal Shank (14 pcs.)

SAVE THIS MANUAL

You will need this manual for the safety instructions , operating instructions, and parts list. Put it in a safe, dry place for future reference. **Keep your invoice with this manual. Write the invoice number on the inside front cover.**

**READ ALL INSTRUCTIONS
BEFORE ASSEMBLING OR
OPERATING THE JIGSAW.**

SAFETY WARNINGS & CAUTIONS

WARNING: When using electric tools, machines or equipment, basic safety precautions should always be followed to reduce the risk of fire, electric shock, and personal injury.

READ ALL INSTRUCTIONS BEFORE USING THIS TOOL

1. **KEEP WORK AREA CLEAN.** Cluttered areas invite injuries.
2. **CONSIDER WORK AREA CONDITIONS.** Don't use machines or power tools in damp, wet, or poorly lit locations. Don't expose to rain. Keep work area well lit. Don't use tools in the presence of flammable gases or liquids.
3. **KEEP CHILDREN AWAY.** All children should be kept away from the work area. Don't let them handle machines, tools or extension cords.
4. **STORE IDLE EQUIPMENT.** When not in use, tools should be locked up in a dry location to inhibit rust. If possible, store in an area out of reach of children.
5. **DON'T FORCE THE MACHINE OR TOOL.** It will do the job better and more safely at the rate for which it was intended.
6. **USE THE RIGHT TOOL.** Don't force a small tool or attachment to do the work of a larger industrial tool. Don't use a tool for a purpose for which it was not intended.
7. **DRESS PROPERLY.** Don't wear loose clothing or jewelry. They can be caught in moving parts. Protective, electrically non-conductive gloves and non-skid footwear are recommended when working. Wear protective hair covering to contain long hair, preventing it from getting caught in machinery.
8. **USE EYE AND EAR PROTECTION.** Use a full face mask if the work you're doing produces metal filings, dust or wood chips. Goggles are acceptable in other situations. Wear a clean dust mask if the work creates a lot of fine or coarse dust. When operating for extended periods of time, use approved ear protection. Safety goggles and ear protectors are available from Harbor Freight Tools.

9. **DON'T ABUSE THE POWER CORD.** Do not yank it to disconnect it from receptacle. Do not move bench-mounted or floor-standing machines with the power cord in the outlet. Keep cord away from heat, oil, and sharp edges.
10. **SECURE WORK.** Use clamps or a vise to hold the work if possible. It's safer than using your hands and it frees both hands to operate the tool.
11. **DON'T OVERREACH.** Keep proper footing and balance at all times. Do not reach over or across machines that are running.
12. **MAINTAIN TOOLS WITH CARE.** Keep tools sharp and clean for better and safer performance. Follow instructions for lubricating and changing accessories. Inspect tool cords periodically and if damaged, have them repaired by an authorized service facility. Keep handles dry, clean, and free from oil and grease.
13. **DISCONNECT POWER.** Unplug when not in use, before servicing, and when changing accessories such as blades, bits, and cutters.
14. **OUTDOOR EXTENSION CORDS.** When the equipment is operated outdoors, use only extension cords intended for outside use. See chart under "Extension Cords" for the proper AWG rating depending upon length of the cord.
15. **STAY ALERT.** Watch what you are doing, use common sense. Don't operate any tool when you are tired.
16. **CHECK DAMAGED PARTS.** Before using any tool, any part that appears damaged should be carefully checked to determine that it will operate properly and perform its intended function. Check for alignment of moving parts, binding of moving parts, breakage of parts, mounting, and other conditions that may affect its operation. Any part that is damaged should be properly repaired or replaced by an authorized service center unless otherwise indicated elsewhere in the instruction manual. Have defective switches replaced by an authorized service center. Don't use the tool if switch does not turn on and off properly.
17. **GUARD AGAINST ELECTRIC SHOCK.** Prevent body contact with grounded surfaces: pipes, radiators, ranges, and refrigerator enclosures.
18. **REPLACEMENT PARTS AND ACCESSORIES.** When servicing, use only identical replacement parts. Only use accessories intended for use with this tool. Approved accessories are available from Harbor Freight Tools.
19. **DO NOT OPERATE TOOL IF UNDER THE INFLUENCE OF ALCOHOL OR DRUGS.** Read warning labels on prescriptions to determine if your judgment or reflexes are impaired while taking drugs. If there is any doubt, do not operate machine.
20. **NEVER LEAVE TOOL RUNNING UNATTENDED.** Always turn off power. Do not leave tool until it comes to a complete stop.
21. **DO NOT DISASSEMBLE EXCEPT TO REPLACE CARBON BRUSHES.** Consult an authorized service agent in the event of power tool failure.
22. **DO NOT CLEAN PLASTIC PARTS WITH SOLVENTS.** Solvents may crack or damage plastic parts. Wipe plastic parts with a soft cloth lightly dampened with soapy water.

VOLTAGE WARNING

Before connecting the tool to a power source (receptacle, outlet, etc.) be sure the voltage supplied is about the same as that specified on the nameplate of the tool. If one says 120V and the other says 110V then there will be no complications. Never try to plug a 110V tool into a 220V outlet, or the other way around. The plug and outlet have completely different shapes. This is because a power source with a voltage greater than that specified on the tool can result in a **SERIOUS INJURY** to the user— as well as damage to the tool. If in doubt, **DO NOT PLUG IN THE TOOL.** Using a power source with voltage (110V) less than the nameplate rating (220V) is harmful to the motor.

EXTENSION CORDS

The Jigsaw has a two prong electrical plug.

You may use either a two- or three-prong extension cord. If your tool has a grounded, three-prong plug, you must use a three-prong extension cord with three-prong receptacles. Only use rounded jacket extension cords, preferably listed by the Underwriters Laboratories (UL). Make sure the cord is rated for outdoor use if you plan on using the tool outside; if you plan on indoor use, you may also use an outdoor rated cord. Extension cords rated for outdoor use have the letters "WA" on the cord jacket.

The extension cord must have a minimum wire size depending on the amperage of the tool and the length of the extension cord. This size is signified by its AWG (American Wire Gauge) rating; the smaller the gauge, the greater the cable's capacity. If you are using two or more cords, the total length of the combined cords must be used to determine the minimum AWG rating. Each of the cords used must meet this rating.

The chart below is used to determine the rating required according to the length of the cord(s). The amps of your tool are found either in this manual, or on the nameplate of the tool.

AMP RATING	TOTAL EXTENSION CORD(S) LENGTH IN FEET								
	25	50	75	100	125	150	175	200	
0-10.0	18	18	16	16	14	14	12	12	A
10.1-13.0	16	16	14	14	14	12	12	12	W
13.1-15	14	14	12	12	12	12	12	—	G

Always inspect extension cords for any damage. If there are any loose, frayed or exposed wires, damaged insulation, or defective connections, replace the cord.

Harbor Freight Tools can supply UL listed and outdoor rated cords in multiple AWG ratings if needed.

UNPACKING

When unpacking your Jigsaw, check to make sure the following parts are included. If any parts are missing or broken, please call Harbor Freight Tools at the number on the cover of this manual.

Item #	Description	Qty
N/A	Jigsaw Unit with Power Cord	1
N/A	Instruction Manual	1
1	Blade	1
24	Hex Wrench (attached to Jigsaw)	1

OVERVIEW

Your new Jigsaw comes completely assembled and ready for use. It may be used on wood or metal stock. Read this manual before attempting to use the Jigsaw.

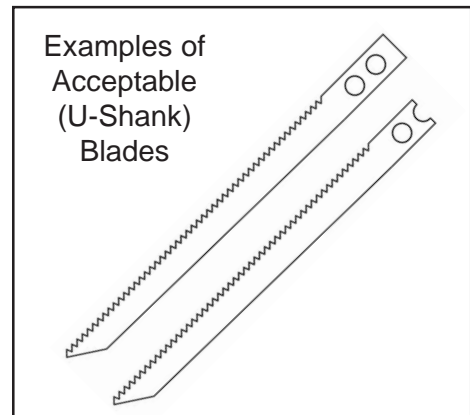
OPERATION

General

Avoid overloading the tool. Do not apply excessive pressure to the saw while cutting. If the speed drops abnormally, decrease pressure immediately. If the blade stops abruptly or becomes blocked, turn saw off at once. Never use damaged blades.

Ensure the safety of the work space. Clear the work area of all parts and debris that may cause injury by becoming flying objects. Use a stable working area when cutting to avoid hand injury.

Inspect the saw before use. Before cutting, run the tool for about ten seconds to ensure all moving parts are running smoothly and there are no loose parts, rattles, or sparking that would indicate defects.



Installing the Blade

The correct HEX KEY WRENCH (#24) comes attached to the back of the Jigsaw Unit.

- Step 1: Unplug the Jigsaw.
- Step 2: Slide the BLADE GUARD (#3) up to expose the BLADE HOLDER (#5) as shown in Figure 1.
- Step 3: Loosen the two BOLTS (#2) on the BLADE HOLDER.
- Step 4: Determine the correct BLADE (#1) for the job at hand. Do not attempt to use a wood cutting BLADE to cut metal. It will damage the BLADE and put undue stress on the Jigsaw. See the BLADE documentation for proper use and warnings.
- Step 5: Place the BLADE into the BLADE HOLDER so that it fits into the grooves between the BLADE HOLDER jaws.
- Step 6: Tighten the two BOLTS.

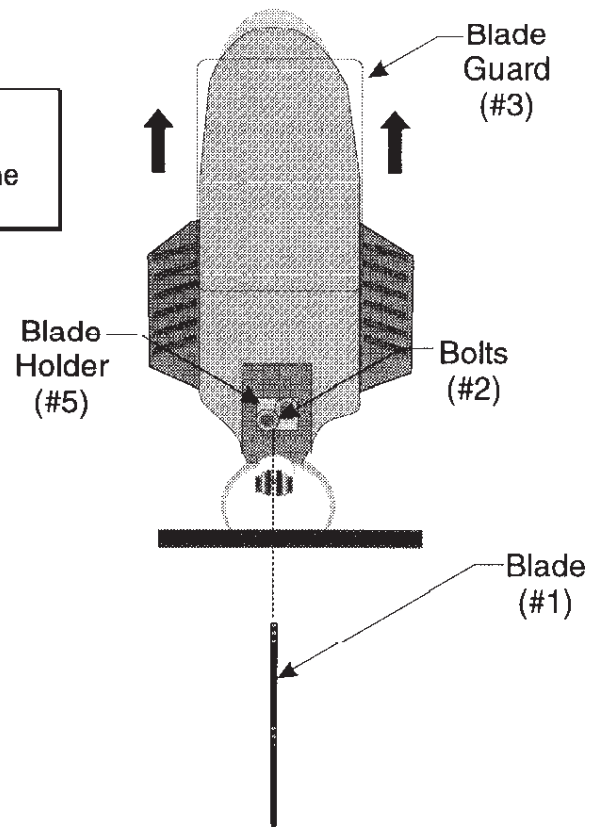


Figure 1 -- Attaching the Blade

Step 7: Make sure the BLADE fits into the groove in the ROLLER (#9). If not, see the instructions on adjusting the ROLLER below.

Step 8: Slide the BLADE GUARD down until it touches the BASE (#26).

Removing the Blade

Step 1: Slide the BLADE GUARD (#3) up to expose the BLADE HOLDER (#5) (see Figure 1).

Step 2: Loosen the two BOLTS (#2) on the BLADE HOLDER.

Step 3: Remove the BLADE (#1).

Step 4: See above for instructions on BLADE installation.

The correct HEX KEY
WRENCH (#24) comes
attached to the back of the
Jigsaw Unit.

Adjusting the Roller

Step 1: Loosen the SCREW (#30) located on the right side of the BODY (#29) just above the BASE (#26) as shown in Figure 2.

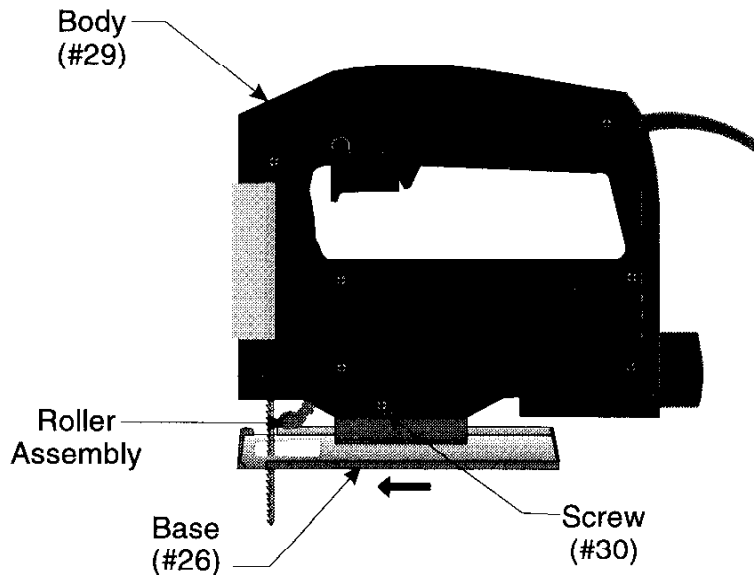


Figure 2 -- Adjusting the Roller

Step 2: Slide the BASE and Roller Assembly forward until the blade fits into the groove in the ROLLER (#9).

Step 3: Tighten the SCREW.

Adjusting for Miter Cuts

- Step 1: Slide the BLADE GUARD (#3) up and away from the BASE (#26).
- Step 2: Loosen the two BOLTS (#28) on the POSITIONER (#27) as shown in Figure 3.
- Step 3: Adjust the BASE to the desired angle as shown in Figure 4.
- Step 4: Tighten the two BOLTS.

The correct HEX WRENCH (#24) comes attached to the back of the Jigsaw Unit.

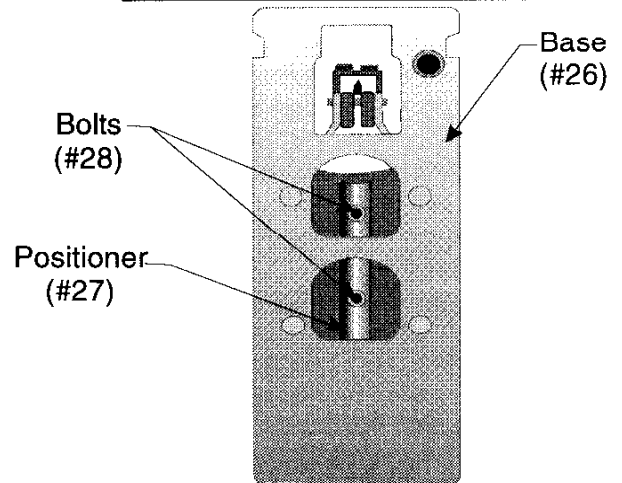


Figure 3 -- Loosening the Bolts on Positioner

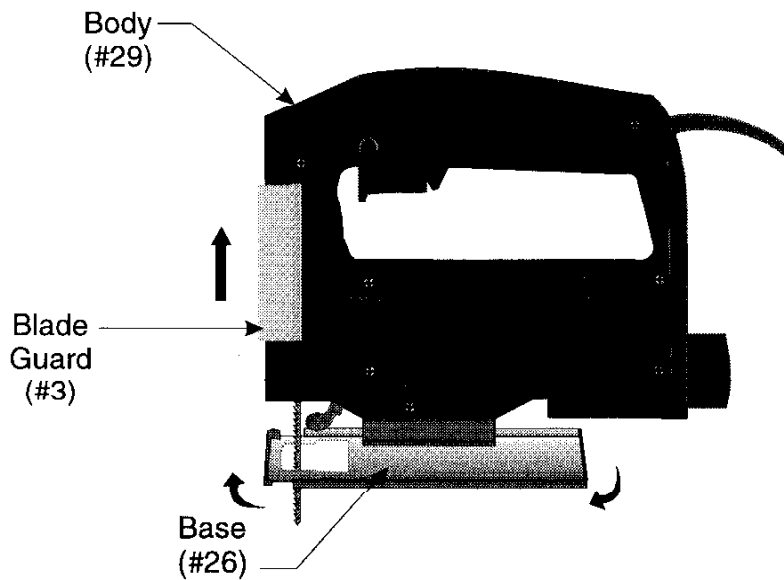


Figure 4 -- Adjusting the Base

Using the Jigsaw

Step 1: Mark a cutting line on the workpiece.

Step 2: Make sure that the BLADE (#1) fits tightly and is the proper one for the job. If changing the BLADE is necessary, see the instructions for BLADE removal and installation above.

Step 3: Place the front of the BASE (#26) on the edge of the workpiece and press the TRIGGER (#19) to start the Jigsaw as shown in Figure 5.

When cutting metal, the use of an oil lubricant will help keep the BLADE from heating up and increase the life of the BLADE.

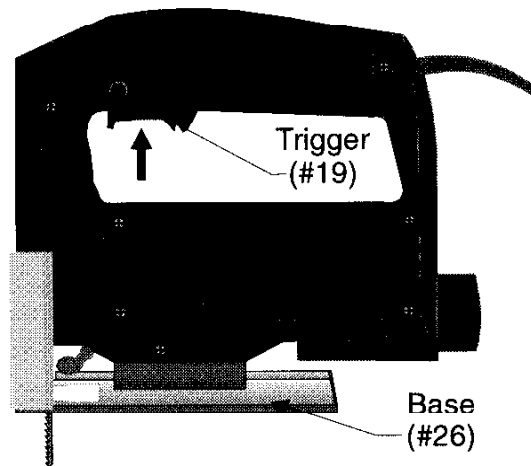


Figure 5 -- Operation

Step 4: Once the TRIGGER is depressed, you may press the Trigger Lock and release the TRIGGER to lock the Jigsaw in the on position as shown in Figure 6.

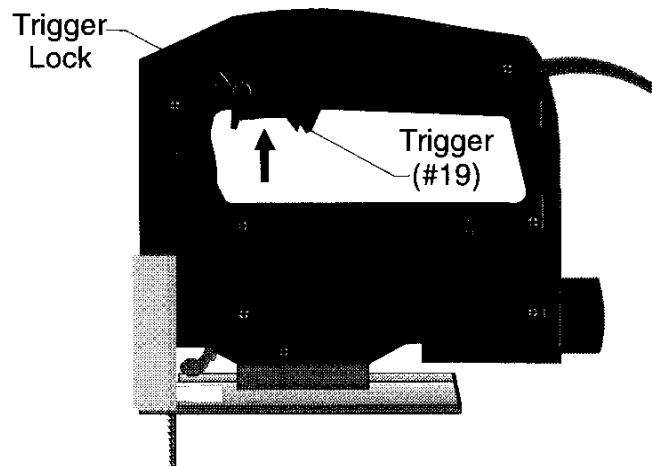


Figure 6 -- Using the Trigger Lock

Step 5: Slide the Jigsaw along its BASE slowly through the workpiece. Do not apply excessive pressure to the saw while cutting. If the speed drops abnormally, decrease pressure immediately. If the blade stops abruptly or becomes blocked, turn the saw off at once.

Step 6: When the cut is finished, release the TRIGGER to turn the Jigsaw off. If using the Trigger Lock, press the TRIGGER and release it to turn the Jigsaw off.

Making Curved Cuts

Step 1: Mark your entire cutting line with a light pencil. If you have a template available, use it as a marking guide.

Step 2: When cutting curves, be careful not to twist the BLADE (#1). If the curve becomes so tight that this is unavoidable, then run the BLADE in a straight line through the waste of the stock as shown in Figure 7. Begin your curve again where you left it on the stock.

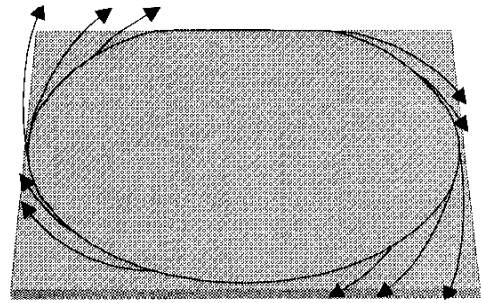


Figure 7 -- Making a Curved Cut

Step 3: If you are cutting several identical shapes and their combined thickness clears the BLADE, fasten them together and cut them at the same time to ensure accuracy and minimize labor.

Step 4: If the BLADE binds or a cut must be corrected, turn-OFF the Jigsaw before backing the BLADE out of the cut.

MAINTENANCE

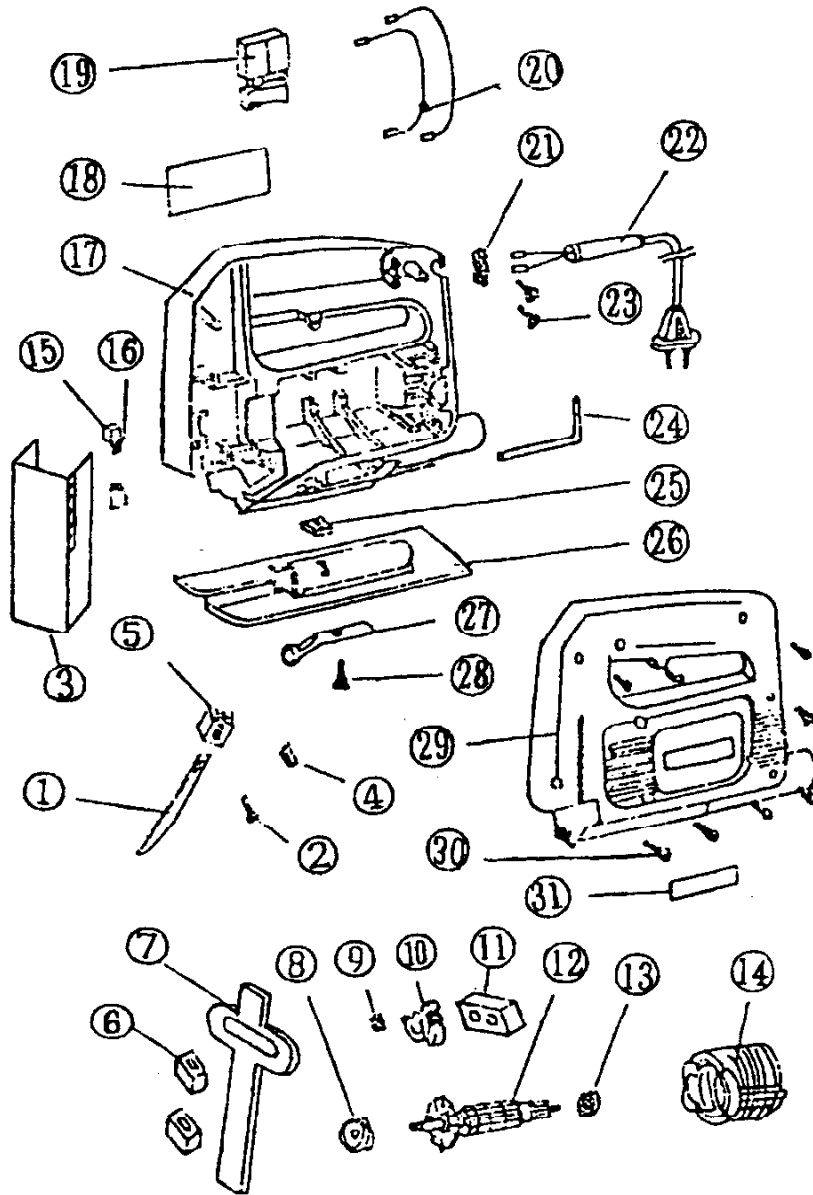
Always keep the Jigsaw clean. The ventilation passage should be kept clean and free from obstruction. Prevent dust and debris from accumulating in this area. Clean immediately after use to maintain the tool in the best, safest operating condition.

PARTS LIST

ITEM #	DESCRIPTION
1	Blade
2	Bolt
3	Guard
4	Nail
5	Blade Holder
6	Bearing
7	Stock
8	Ball Bearing
9	Wheel
10	Gear
11	Middle Frame
12	Rotor Assembly
13	Ball Bearing
14	Stator Assembly
15	Brush Holder
16	Carbon Brush

ITEM #	DESCRIPTION
17	Body
18	Name Plate
19	Trigger
20	Wire
21	Cord Support
22	Tube
23	Screw
24	Hex Wrench
25	Fixed Chunk
26	Base
27	Positioner
28	Bolt
29	Body
30	Screw
31	Name Plate
32	Table

EXPLODED VIEW DRAWING



Free Manuals Download Website

<http://myh66.com>

<http://usermanuals.us>

<http://www.somanuals.com>

<http://www.4manuals.cc>

<http://www.manual-lib.com>

<http://www.404manual.com>

<http://www.luxmanual.com>

<http://aubethermostatmanual.com>

Golf course search by state

<http://golfingnear.com>

Email search by domain

<http://emailbydomain.com>

Auto manuals search

<http://auto.somanuals.com>

TV manuals search

<http://tv.somanuals.com>