

CHICAGO

Electric[®] Power Tools

ELECTRIC PALM SANDER

Model 95020

ASSEMBLY AND OPERATION INSTRUCTIONS



Due to continuing improvements, actual product may differ slightly from the product described herein.



3491 Mission Oaks Blvd., Camarillo, CA 93011

Visit our website at: <http://www.harborfreight.com>

**TO PREVENT SERIOUS INJURY, READ AND UNDERSTAND
ALL WARNINGS AND INSTRUCTIONS BEFORE USE.**

Copyright© 2006 by Harbor Freight Tools[®]. All rights reserved. No portion of this manual or any artwork contained herein may be reproduced in any shape or form without the express written consent of Harbor Freight Tools.

For technical questions or replacement parts, please call 1-800-444-3353.

SPECIFICATIONS

Electrical Requirements	120 V~, 60 Hz, 2 A
Motor No Load Speed	13,000 RPM
Dust Opening	1 ¹ / ₄ " OD (Dust bag included)
Dimensions	4 ¹ / ₂ " W x 6 ⁷ / ₈ " L x 5 ³ / ₄ " H
Backing Pad Dimensions	4" W x 4 ¹ / ₂ " L
Weight	2 ¹ / ₂ lb.



Save This Manual

You will need this manual for the safety warnings and precautions, assembly, operating, inspection, maintenance and cleaning procedures, parts list and assembly diagram. Keep your invoice with this manual. Write the invoice number on the inside of the front cover. Keep this manual and invoice in a safe and dry place for future reference.

GENERAL SAFETY RULES



READ AND UNDERSTAND ALL INSTRUCTIONS
Failure to follow all instructions listed below may result in
electric shock, fire, and/or serious injury.
SAVE THESE INSTRUCTIONS

WORK AREA

1. **Keep your work area clean and well lit.** Cluttered benches and dark areas invite accidents. Make sure there is adequate surrounding workspace.
2. **Do not operate power tools in explosive atmospheres, such as in the presence of flammable liquids, gases, or dust.** Power tools create sparks which may ignite the dust or fumes.
3. **Keep bystanders, children, and visitors away while operating a power tool.** Distractions can cause you to lose control. Protect others in the work area from debris such as chips and sparks. Provide barriers or shields as needed.

ELECTRICAL SAFETY

1. **Grounded tools must be plugged into an outlet properly installed and grounded in accordance with all codes and ordinances. Never remove the grounding prong or modify the plug in any way. Do not use any adapter plugs. Check with a qualified electrician if you are in doubt as to whether the outlet is properly**

- grounded.** If the tools should electrically malfunction or break down, grounding provides a low resistance path to carry electricity away from the user.
2. **Double insulated tools are equipped with a polarized plug (one blade is wider than the other). This plug will fit in a polarized outlet only one way. If the plug does not fit fully in the outlet, reverse the plug. If it still does not fit, contact a qualified electrician to install a polarized outlet. Do not change the plug in any way.** Double insulation eliminates the need for the three wire grounded power cord and grounded power supply system.
 3. **Avoid body contact with grounded surfaces such as pipes, radiators, ranges, and refrigerators.** There is an increased risk of electric shock if your body is grounded.
 4. **Do not expose power tools to rain or wet conditions.** Water entering a power tool will increase the risk of electric shock.
 5. **Do not abuse the Power Cord. Never use the Power Cord to carry the tools or pull the Plug from an outlet. Keep the Power Cord away from heat, oil, sharp edges, or moving parts. Replace damaged Power Cords immediately.** Damaged Power Cords increase the risk of electric shock.
 6. **When operating a power tool outside, use an outdoor extension cord marked “W-A” or “W”.** These extension cords are rated for outdoor use, and reduce the risk of electric shock.

PERSONAL SAFETY

1. **Stay alert. Watch what you are doing, and use common sense when operating a power tool. Do not use a power tool while tired or under the influence of drugs, alcohol, or medication.** A moment of inattention while operating power tools may result in serious personal injury.
2. **Dress properly. Do not wear loose clothing or jewelry. Contain long hair. Keep your hair, clothing, and gloves away from moving parts.** Loose clothes, jewelry, or long hair can be caught in moving parts.
3. **Avoid accidental starting. Be sure the Power Switch is off before plugging in.** Carrying power tools with your finger on the Power Switch, or plugging in power tools with the Power Switch on, invites accidents.
4. **Remove adjusting keys or wrenches before turning the power tool on.** A wrench or a key that is left attached to a rotating part of the power tool may result in personal injury.
5. **Do not overreach. Keep proper footing and balance at all times.** Proper footing and balance enables better control of the power tool in unexpected situations.

6. **Use safety equipment. Always wear eye protection.** Dust mask, nonskid safety shoes, hard hat, or hearing protection must be used for appropriate conditions. Always wear ANSI approved safety goggles and a dust mask/respirator when using or performing maintenance on this tool.

TOOL USE AND CARE

1. **Use clamps (not included) or other practical ways to secure and support the workpiece to a stable platform.** Holding the work by hand or against your body is unstable and may lead to loss of control.
2. **Do not force the tool. Use the correct tool for your application.** The correct tool will do the job better and safer at the rate for which it is designed. Do not force the tool and do not use the tool for a purpose for which it is not intended.
3. **Do not use the power tool if the Power Switch does not turn it on or off.** Any tool that cannot be controlled with the Power Switch is dangerous and must be replaced.
4. **Disconnect the Power Cord Plug from the power source before making any adjustments, changing accessories, or storing the tool.** Such preventive safety measures reduce the risk of starting the tool accidentally. **Always unplug the tool from its electrical outlet before performing any inspection, maintenance, or cleaning procedures.**
5. **Store idle tools out of reach of children and other untrained persons.** Tools are dangerous in the hands of untrained users.
6. **Maintain tools with care. Keep cutting tools sharp and clean.** Properly maintained tools with a sharp cutting edge are less likely to bind and are easier to control. Do not use a damaged tool. Tag damaged tools "Do not use" until repaired.
7. **Check for misalignment or binding of moving parts, breakage of parts, and any other condition that may affect the tool's operation. If damaged, have the tool serviced before using.** Many accidents are caused by poorly maintained tools.
8. **Use only accessories that are recommended by the manufacturer for your model.** Accessories that may be suitable for one tool may become hazardous when used on another tool.

SERVICE

1. **Tool service must be performed only by qualified repair personnel.** Service or maintenance performed by unqualified personnel could result in a risk of injury.
2. **When servicing a tool, use only identical replacement parts. Follow instructions in the "Inspection, Maintenance, And Cleaning" section of this manual.** Use of unauthorized parts or failure to follow maintenance instructions may create a risk of electric shock or injury.

SPECIFIC SAFETY RULES

1. **Maintain labels and nameplates on the Palm Sander.** These carry important information. If unreadable or missing, contact Harbor Freight Tools for a replacement.
2. **When using a handheld power tool, always maintain a firm grip on the tool with both hands to resist starting torque.**
3. **Avoid unintentional starting.** Make sure you are prepared to begin work before plugging in the Palm Sander.
4. **WARNING! People with pacemakers should consult their physician (s) before using this product.** Electromagnetic fields in close proximity to a heart pacemaker could cause interference to or failure of the pacemaker.
In addition, people with pacemakers should adhere to the following:
 - Avoid operating power tools alone.
 - If powered via a power cord be certain that the tool is properly grounded. A ground fault interrupt (GFCI) system is also a good precaution. This inexpensive device is a good safety measure because it prevents a sustained electrical shock.
 - Properly maintain and inspect all tools before use to avoid electrical shock.
5. **Never lay the tool down until it has come to a complete stop.** Moving parts can grab the surface and pull the tool out of your control.
6. **Never leave the Sander unattended when it is plugged into an electrical outlet.** Turn off the tool, and unplug it from its electrical outlet before leaving.
7. **WARNING!** Some dust created by power sanding, sawing, grinding, drilling, and other construction activities, contain chemicals known (to the State of California) to cause cancer, birth defects or other reproductive harm.
Some examples of these chemicals are:
 - Lead from lead-based paints.
 - Crystalline silica from bricks and cement or other masonry products.
 - Arsenic and chromium from chemically treated lumber.Your risk from these exposures varies, depending on how often you do this type of work. To reduce your exposure to these chemicals: work in a well ventilated area, and work with approved safety equipment, such as those dust masks that are specially designed to filter out microscopic particles.
(California Health & Safety Code § 25249.5, *et seq.*)
8. **Take caution as some woods contain preservatives such as copper chromium arsenate (CCA) which can be toxic.** When cutting these materials extra care should be taken to avoid inhalation and minimize skin contact.

9. **WARNING!** Exposure to aluminum oxide (a dust generated from material removing processes) can result in eye, skin, and respiratory irritation. Always use a NIOSH (National Institute for Occupational Safety and Health) approved respirator and ANSI approved safety goggles. Avoid skin exposure. Proper ventilation in the work area is required.
10. **WARNING!** The warnings, cautions, and instructions discussed in this instruction manual cannot cover all possible conditions and situations that may occur. It must be understood by the operator that common sense and caution are factors which cannot be built into this product, but must be supplied by the operator.

Note: Performance of this tool (if powered by line voltage) may vary depending on variations in local line voltage. Extension cord usage may also affect tool performance.

SAVE THESE INSTRUCTIONS

GROUNDING

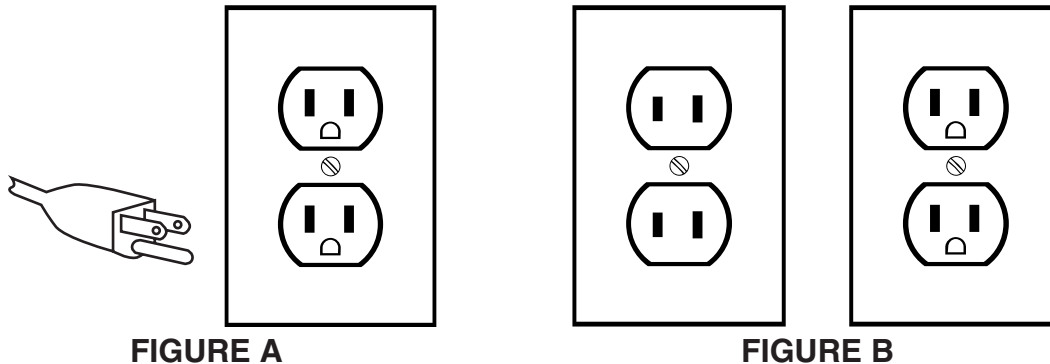
 **WARNING!**

Improperly connecting the grounding wire can result in the risk of electric shock. Check with a qualified electrician if you are in doubt as to whether the outlet is properly grounded. Do not modify the power cord plug provided with the tool. Never remove the grounding prong from the plug. Do not use the tool if the power cord or plug is damaged. If damaged, have it repaired by a service facility before use. If the plug will not fit the outlet, have a proper outlet installed by a qualified electrician.

GROUNDING TOOLS: TOOLS WITH THREE PRONG PLUGS

1. Tools marked with "Grounding Required" have a three wire cord and three prong grounding plug. The plug must be connected to a properly grounded outlet. If the tool should electrically malfunction or break down, grounding provides a low resistance path to carry electricity away from the user, reducing the risk of electric shock. **(See Figure A.)**
2. The grounding prong in the plug is connected through the green wire inside the cord to the grounding system in the tool. The green wire in the cord must be the only wire connected to the tool's grounding system and must never be attached to an electrically "live" terminal. **(See Figure A.)**

3. Your tool must be plugged into an appropriate outlet, properly installed and grounded in accordance with all codes and ordinances. The plug and outlet should look like those in the following illustration. **(See Figure A.)**



DOUBLE INSULATED TOOLS: TOOLS WITH TWO PRONG PLUGS

Note: This item has a two prong plug.

1. Tools marked “Double Insulated” do not require grounding. They have a special double insulation system which satisfies OSHA requirements and complies with the applicable standards of Underwriters Laboratories, Inc., the Canadian Standard Association, and the National Electrical Code. **(See Figure B.)**
2. Double insulated tools may be used in either of the 120 volt outlets shown in the preceding illustration. **(See Figure B.)**

EXTENSION CORDS




1. **Grounded** tools require a three wire extension cord. **Double Insulated** tools can use either a two or three wire extension cord.
2. As the distance from the supply outlet increases, you must use a heavier gauge extension cord. Using extension cords with inadequately sized wire causes a serious drop in voltage, resulting in loss of power and possible tool damage. **(See Figure C, next page.)**
3. The smaller the gauge number of the wire, the greater the capacity of the cord. For example, a 14 gauge cord can carry a higher current than a 16 gauge cord. **(See Figure C.)**
4. When using more than one extension cord to make up the total length, make sure each cord contains at least the minimum wire size required. **(See Figure C.)**
5. If you are using one extension cord for more than one tool, add the nameplate amperes and use the sum to determine the required minimum cord size. **(See Figure C.)**

6. If you are using an extension cord outdoors, make sure it is marked with the suffix "W-A" ("W" in Canada) to indicate it is acceptable for outdoor use.
7. Make sure your extension cord is properly wired and in good electrical condition. Always replace a damaged extension cord or have it repaired by a qualified electrician before using it.
8. Protect your extension cords from sharp objects, excessive heat, and damp or wet areas.

RECOMMENDED MINIMUM WIRE GAUGE FOR EXTENSION CORDS* (120 OR 240 VOLT)					
NAMEPLATE AMPERES (at full load)	EXTENSION CORD LENGTH				
	25 Feet	50 Feet	75 Feet	100 Feet	150 Feet
0 – 2.0	18	18	18	18	16
2.1 – 3.4	18	18	18	16	14
3.5 – 5.0	18	18	16	14	12
5.1 – 7.0	18	16	14	12	12
7.1 – 12.0	18	14	12	10	-
12.1 – 16.0	14	12	10	-	-
16.1 – 20.0	12	10	-	-	-

FIGURE C * Based on limiting the line voltage drop to five volts at 150% of the rated amperes.

SYMBOLOLOGY

	Double Insulated
	Canadian Standards Association
	Underwriters Laboratories, Inc.
V~	Volts Alternating Current
A	Amperes
n ₀ xxxx/min.	No Load Revolutions per Minute (RPM)

UNPACKING

When unpacking, check to make sure that the item is intact and undamaged. If any parts are missing or broken, please call Harbor Freight Tools at the number shown on the cover of this manual as soon as possible.

ASSEMBLY INSTRUCTIONS

Note: For additional information regarding the parts listed in the following pages, refer to the **Assembly Diagram on page 12**.

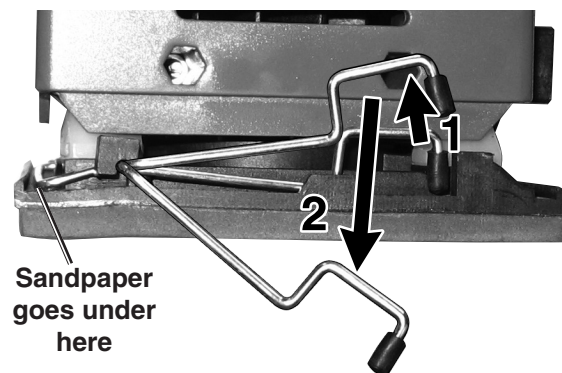
CAUTION: Always make sure the Power Cord (26) of the Sander is unplugged from its electrical outlet *prior* to making any adjustments or assembling to the tool.

ATTACHING THE DUST BAG (12)

1. To attach the Dust Bag (12) to the Palm Sander, place the opening of the Dust Bag (12) on top of the opening of the Dust Port of the Palm Sander and press down. Snap it in place into the rectangular shaft at the back of the Sander.
2. The Dust Collection Chute will only work if the sandpaper has holes that line up with the 6 dust collection holes in the Backing Pad (22). (There are 4 other holes in the Backing Pad for the Screws).

ATTACHING SANDPAPER TO THE BACKING PAD (22)

1. Press the tab on the **Clamps (17)** inward on both sides of the unit and swing the clamps on both sides up, out, and down to loosen the clamp. See **1 & 2**, right.
2. Cut the sandpaper to fit the 4" W x 4¹/₂" L **Sanding Pad (22)**, with a little extra to overlap and fit under the **Clamps (17)**. **Do not use torn or frayed sandpaper.**
3. After wrapping the overlapped edges of sandpaper under the **Clamps (17)**, snap the **Clamps (17)** back into place.



HOW TO USE THE SANDPAPER HOLE PUNCH (29)

Mount the Sandpaper Hole Punch (29) to a work bench using two counter sinking screws (not included). Press the sander (with the sandpaper attached to it), straight down onto the Sandpaper Hole Punch. Use the corner guides, on the Hole Punch, to assure the holes line up with the holes in the Backing Pad (22) of the Sander.

REV 02/07

OPERATING INSTRUCTIONS


Note: For additional information regarding the parts listed in the following pages, refer to the **Assembly Diagram on page 12**.

1. **CAUTION:** Always make sure the Power Cord (26) of the Sander is unplugged from its electrical outlet *prior* to making any adjustments to the tool.
2. Clamp your workpiece down, or insert it in a vise. Make sure the object you are sanding does not have any nails or metal of any kind in it, or you will ruin the sandpaper and damage the Backing Pad (22).
3. After donning the appropriate safety gear covered on page 2 of this manual, plug in the Sander.
4. Turn on the Palm Sander by turning on the Switch (3).
5. Always run the Palm Sander for a few seconds before contacting the workpiece.
6. Contact the workpiece with minimal pressure. If the Palm Sander is not removing enough material, try a grittier piece of sandpaper. If you want to remove a lot of material fast, use a belt sander.

Note: All orbital sanders leave sanding marks on the workpiece. To minimize sanding marks, slowly move the Palm Sander while it is touching the item you are sanding.

7. Occasionally stop the Palm Sander and visually check the sandpaper for tears, wear, or fraying. Replace if necessary.
8. When you are finished sanding, turn off the Switch (3).

INSPECTION, MAINTENANCE, AND CLEANING

1.  **WARNING!** Make sure the Power Switch (3) of the Sander is in its “OFF” position and that the tool is unplugged from its electrical outlet before performing any inspection, maintenance, or cleaning procedures.
2. **BEFORE EACH USE**, inspect the general condition of the Sander. Check for loose screws, misalignment or binding of moving parts, cracked or broken parts, damaged electrical wiring, and any other condition that may affect its safe operation. If abnormal noise or vibration occurs, have the problem corrected before further use. **Do not use damaged equipment.**
3. Wipe the unit down after each use with a dry, lint free cloth.
4. Make sure the vents on the top are clear of dust and debris.
5. Periodically, have a qualified service technician clean or replace the **Carbon Brushes (9)**.

PARTS LIST

Part	Description	Q'ty	Part	Description	Q'ty
1	Bottom Enclosure	1	16	Gasket	2
2	Top Enclosure	1	17	Clamp Wire	2
3	Switch	1	18	Bearing 12 x 28 x 8	1
4	Stator	1	19	Ring	1
5	Rotor and Fan	1	20	Gasket	1
6	Rubber Cylinder	4	21	Screw M4 x 12	1
7	Switch Cover	1	22	Backing Pad	1
8	Brush Holder	2	23	Cord Anchorage	1
9	Carbon Brush	2	24	Screw ST3 x 12	2
10	Bearing 6 x 19 x 6	1	25	Cord Guard	1
11	Bearing 9 x 26 x 8	1	26	Power Cord and Plug	1
12	Dust Bag	1	27	Label	2
13	Balance Fan	1	28	Screw ST 4.2 x 19	4
14	Bottom Board	1	29	Sandpaper Hole Punch	1
15	Screw M4 x 8	2			

Record Product's Serial Number Here: _____

Note: If product has no serial number, record month and year of purchase instead.

Note: Some parts are listed and shown for illustration purposes only, and are not available individually as replacement parts.



CHICAGO

Electric Power Tools

LIMITED 90 DAY WARRANTY

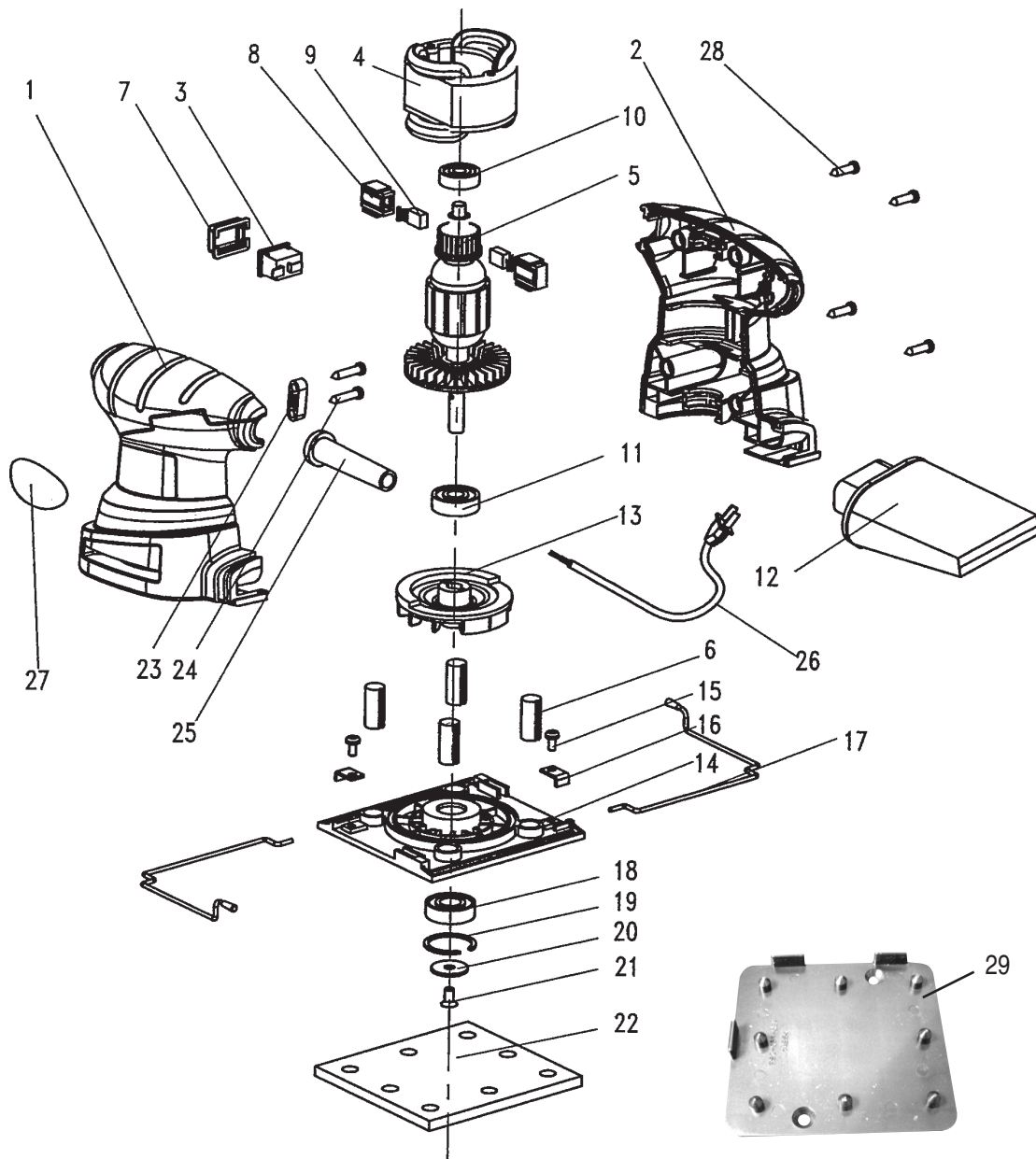
Harbor Freight Tools Co. makes every effort to assure that its products meet high quality and durability standards, and warrants to the original purchaser that this product is free from defects in materials and workmanship for the period of ninety days from the date of purchase. This warranty does not apply to damage due directly or indirectly, to misuse, abuse, negligence or accidents, repairs or alterations outside our facilities, or to lack of maintenance. We shall in no event be liable for death, injuries to persons or property, or for incidental, contingent, special or consequential damages arising from the use of our product. Some states do not allow the exclusion or limitation of incidental or consequential damages, so the above limitation of exclusion may not apply to you. THIS WARRANTY IS EXPRESSLY IN LIEU OF ALL OTHER WARRANTIES, EXPRESS OR IMPLIED, INCLUDING THE WARRANTIES OF MERCHANTABILITY AND FITNESS.

To take advantage of this warranty, the product or part must be returned to us with transportation charges prepaid. Proof of purchase date and an explanation of the complaint must accompany the merchandise. If our inspection verifies the defect, we will either repair or replace the product at our election or we may elect to refund the purchase price if we cannot readily and quickly provide you with a replacement. We will return repaired products at our expense, but if we determine there is no defect, or that the defect resulted from causes not within the scope of our warranty, then you must bear the cost of returning the product.

This warranty gives you specific legal rights and you may also have other rights which vary from state to state.

3491 Mission Oaks Blvd. • PO Box 6009 • Camarillo, CA 93011 • (800) 444-3353

ASSEMBLY DIAGRAM



PLEASE READ THE FOLLOWING CAREFULLY

THE MANUFACTURER AND/OR DISTRIBUTOR HAS PROVIDED THE PARTS LIST AND ASSEMBLY DIAGRAM IN THIS MANUAL AS A REFERENCE TOOL ONLY. NEITHER THE MANUFACTURER OR DISTRIBUTOR MAKES ANY REPRESENTATION OR WARRANTY OF ANY KIND TO THE BUYER THAT HE OR SHE IS QUALIFIED TO MAKE ANY REPAIRS TO THE PRODUCT, OR THAT HE OR SHE IS QUALIFIED TO REPLACE ANY PARTS OF THE PRODUCT. IN FACT, THE MANUFACTURER AND/OR DISTRIBUTOR EXPRESSLY STATES THAT ALL REPAIRS AND PARTS REPLACEMENTS SHOULD BE UNDERTAKEN BY CERTIFIED AND LICENSED TECHNICIANS, AND NOT BY THE BUYER. THE BUYER ASSUMES ALL RISK AND LIABILITY ARISING OUT OF HIS OR HER REPAIRS TO THE ORIGINAL PRODUCT OR REPLACEMENT PARTS THERETO, OR ARISING OUT OF HIS OR HER INSTALLATION OF REPLACEMENT PARTS THERETO.

REV 02/07

SKU 95020

For technical questions, please call 1-800-444-3353.

Page 12

CHICAGO

Electric[®] Power Tools

LA PONCEUSE ÉLECTRIQUE

Modèle 95020

LES INSTRUCTIONS D'ASSEMBLAGE ET OPÉRATION



IMPORTANT!

Cette édition de langue française est une traduction du manuel anglais original accompagnant ce produit. Si une partie du manuel anglais original est inconsistante avec cette traduction, le manuel anglais original gouvernera.

En raison des améliorations continuantes, le produit réel peut différer légèrement du produit décrit ici.



3491 Mission Oaks Blvd., Camarillo, CA 93011

Visitez notre site Internet à <http://www.harborfreight.com>

**POUR ÉVITER LA BLESSURE SÉRIEUSE, LISEZ
ET COMPRENEZ TOUS LES AVERTISSEMENTS
ET LES INSTRUCTIONS AVANT L'UTILISATION.**

Le Copyright[©] 2006 par le Harbor Freight Tools[®]. Tous droits réservés. Aucune portion de ce manuel ou de n'importe quel travail d'art contenu ici ne peut être reproduite dans aucune forme ou forme sans le consentement écrit explicite de Harbor Freight Tools.

**Pour les questions techniques et les pièces détachées,
appelez-vous s'il vous plaît 1-800-444-3353.**

CARACTÉRISTIQUES

Puissance Nécessaire	120 V~, 60 Hz, 2 A
Moteur Aucune Vitesse de Charge	13, 000 tr-min
Glissière à poussière	1-1/4 po OD (Un sac à poussière inclus)
Dimensions	4-1/2 po W x 6-7/8 po L x 5-3/4 po H
Tampon en caoutchouc	Dimensions: 4 po W x 4-1/2 po L
Poids	2 1/2 lb.



GARDEZ CE GUIDE

Gardez ce guide pour les conseils de sécurités et précautions, assemblage, instructions d'utilisation, inspection, entretien et nettoyage, la liste des pièces et le schéma du produit. Gardez votre facture avec ce guide. Inscrivez le numéro à l'intérieur de la couverture. Gardez ce guide et facture dans un endroit sécuritaire et sec pour pouvoir le consulter à l'avenir.

REGLES DE SECURITE

AVERTISSEMENT!

LISEZ ET ASSUREZ-VOUS DE BIEN COMPRENDRE TOUTES LES INSTRUCTIONS.

Le non-respect des instructions ci-après peut entraîner un risque de choc électrique d'incendie et/ou de blessures graves.

GARDEZ CES INSTRUCTIONS

ESPACE DE TRAVAIL

1. **Assurez-vous que l'espace de travail est propre et bien éclairé.** Un établi encombré ou un endroit sombre est propice aux accidents. Assurez-vous toujours que la surface de travail ne comporte pas de clous ou d'autres corps étrangers.
2. **N'utilisez pas un outil électrique dans un environnement aux propriétés explosives, comme en présence de poussière, de liquides ou de gaz inflammables.** Les outils électriques produisent des étincelles qui peuvent enflammer les poussières ou les vapeurs.
3. **Gardez les spectateurs, les enfants et les visiteurs à l'écart pendant que vous utilisez l'outil.** Une distraction pourrait vous faire perdre la maîtrise de l'outil.

SECURITE ÉLECTRIQUE

1. **Les outils mis à la terre doivent être branchés dans une prise de courant correctement installée et mise à la terre conformément à tous les codes et règle-**

REV 02/07

SKU 95020

Pour les questions techniques, appelez-vous s'il vous plaît 1-800-444-3353.

Page 2

ments pertinents. **Ne modifiez jamais la fiche de quelque façon que ce soit, par exemple en enlevant la broche de mise à la terre. N'utilisez pas d'adaptateur de fiche. Si vous n'êtes pas certain que la prise de courant est correctement mise à la terre, adressez-vous à un électricien qualifié.** En cas de défaillance ou de défectuosité électrique de l'outil une mise à la terre offre un trajet de faible résistance à l'électricité qui autrement risquerait de traverser l'utilisateur.

2. **Les outils à double isolation sont munis d'une fiche polarisée (une lame est plus large que l'autre). Cette fiche s'enfonce d'une seule façon dans une prise de courant polarisée. Si la fiche ne s'insère pas à fond dans la prise de courant, inversez-la. Sinon, communiquez avec un électricien qualifié pour installer une prise de courant polarisée. Ne modifiez jamais la fiche.** La double isolation élimine le besoin d'utiliser un cordon d'alimentation à trois broches avec fil de mise à la terre et un circuit d'alimentation mis à la terre.
3. **Évitez tout contact du corps avec les surfaces reliées à la terre telles que tuyaux, radiateurs, cuisinières et réfrigérateurs.** Le risque de choc électrique est accru lorsque le corps est mis à la terre.
4. **N'exposez pas les outils électriques à la pluie ni à l'humidité.** Toute infiltration d'eau dans l'outil augmente les risques de choc électrique.
5. **Évitez l'emploi abusif du cordon. N'utilisez jamais le cordon pour transporter l'outil ou pour le débrancher de la prise de courant en tirant dessus. Tenez le cordon à l'écart de la chaleur, de l'huile, des arêtes vives et des pièces mobiles. Remplacez sans tarder un cordon endommagé.** Les risques de choc électrique augmentent lorsqu'un cordon est endommagé.
6. **Lorsque vous utilisez un outil électrique à l'extérieur, vous devez vous servir d'une rallonge électrique portant le symbole « W-A » ou « W ».** Ces cordons ont une tolérance appropriée à un usage extérieur et réduisent les risques de choc électrique.

SECURITE PERSONNELLE

1. **Soyez vigilant, surveillez ce que vous faites et faites preuve de bon jugement lorsque vous utilisez un outil électrique. Ne vous servez pas de l'outil lorsque vous êtes fatigué ou sous l'influence de la drogue, de l'alcool ou de médicaments.** Lorsque vous utilisez un outil électrique un moment d'inattention peut entraîner des blessures graves.
2. **Portez des vêtements appropriés. Ne portez pas de vêtements amples ni des bijoux. Attachez-vous les cheveux s'ils sont longs. Gardez vos cheveux, vos vêtements et vos gants éloignés des pièces mobiles.** Des vêtements amples, des bijoux, ou des cheveux longs non retenus peuvent rester coincés dans les pièces mobiles.

3. **Évitez les démarrages accidentels. Assurez-vous que l'interrupteur se trouve à la position d'arrêt (OFF) avant de brancher l'outil.** Le fait de transporter l'outil en gardant le doigt sur l'interrupteur ou de le brancher alors que l'interrupteur est en position de marche (ON) peut provoquer un accident.
4. **Retirez les clés de réglage ou les autres clés avant de mettre l'outil en marche.** Le fait de laisser une clé quelconque en prise sur une pièce rotative de l'outil peut causer des blessures.
5. **Évitez tout état de déséquilibre.** Tenez-vous de façon stable et maintenez votre équilibre en tout temps pour vous permettre de garder la maîtrise de l'outil en cas d'imprévu.
6. **Utilisez l'équipement de sécurité. Portez toujours une protection oculaire.** Utilisez un masque anti-poussière, des chaussures de sécurité antidérapantes, un casque de sécurité ou un protecteur auditif, selon les stipulations.

UTILISATION ET ENTRETIEN DE L'OUTIL

1. **Utilisez des serre-joints (pas fournis) ou un autre moyen pratique de retenir et de soutenir la pièce à travailler sur une plate-forme stable.** Le fait de tenir la pièce à travailler avec une main ou contre votre corps constitue une situation instable qui pourrait vous faire perdre la maîtrise de l'outil.
2. **Ne forcez pas l'outil. Utilisez l'outil approprié à la tâche.** L'outil approprié fonctionne mieux et de façon plus sécuritaire. Respectez aussi la vitesse de travail qui lui est propre.
3. **N'utilisez pas l'outil si son interrupteur ne fonctionne pas normalement.** Un outil qui ne peut être contrôlé au moyen de son interrupteur est dangereux et doit être réparé.
4. **Débranchez la fiche de sa source d'alimentation avant de faire des réglages, de changer des accessoires ou de ranger l'outil.** De telles mesures préventives réduisent les risques de démarrage accidentel de l'outil. **Débranchez toujours l'outil de la prise de courant électrique avant d'y placer ou d'en enlever des pièces ou avant un nettoyage.**
5. **Rangez les outils non utilisés hors de la portée des enfants et des personnes inexpérimentées.** Les outils sont dangereux dans les mains d'un utilisateur inexpérimenté.
6. **Entretenez les outils avec soin. Gardez les accessoires de coupe propres et bien affûtés.** Des outils bien entretenus ayant des bords tranchants bien affûtés n'ont pas tendance à bloquer et se maîtrisent plus facilement. N'utilisez pas l'outil endommagé. Faites étiqueter l'outil endommagé « N' UTILISEZ PAS » jusqu'à ce que vous le répare.

7. **Vérifiez si des pièces mobiles sont désalignées ou coincées, si des pièces sont endommagées ou toute autre situation pouvant nuire au bon fonctionnement de l'outil. Si l'outil est endommagé, faites-le réparer avant de vous en servir.** De nombreux accidents sont causés par des outils mal entretenus.
8. **Utilisez uniquement les accessoires recommandés par le fabricant.** Des accessoires convenant à un outil en particulier peuvent être dangereux s'ils sont utilisés avec un autre outil.

ENTRETIEN

1. **L'entretien de cet outil doit être effectué uniquement par une personne qualifiée.** Tout entretien réalisé par une personne non qualifiée peut entraîner des risques de blessures.
2. **Lors de l'entretien de l'outil, utilisez uniquement des pièces de rechange identiques à celles d'origine. Suivez les instructions décrites à la section d'inspection, entretien et nettoyage de ce guide.** L'utilisation de pièces non autorisées ou le non-respect des consignes d'entretien peut entraîner des risques de choc électrique ou de blessures.

REGLES DE SECURITE SPECIFIQUES

1. **Entretenez les étiquettes et plaques signalétique qui paraissent sur votre outil.** Des informations importantes y paraissent. S'il manque de l'information ou si les informations sont mal écrites, communiquez avec Harbor Freight Tools pour faire remplacer l'appareil
2. **Toujours tenez solidement l'outil avec les deux mains pour le démarrer, car le couple du moteur pourrait vous l'arracher des mains.**
3. **Évitez les démarrages accidentels.** Assurez-vous que vous êtes prêt à travailler avant de mettre en marche l'outil.
4. **Avertissement !** Consultez votre médecin avant d'utiliser cet outil si vous portez un stimulateur cardiaque. Le champ magnétique à proximité d'un cœur peut causer du brouillage ou s'affaiblir le fonctionnement du stimulateur. En plus vous devriez respecter les suivants :
 - Evitez d'utiliser un outil tout seul
 - Si câblé par un cordon d'alimentation, assurez-vous que l'outil est mis à la terre correctement. Un système « Ground Fault Interrupt » (GFCI) est une bonne précaution. Cet appareil ne coûte pas cher et est une manière d'éviter des blessures graves.
 - Afin de éviter des chocs électriques, entretenez et inspectez toutes les outils avant de l'utiliser.

5. **Ne déposez jamais l'outil avant que le moteur ait complètement cessé de tourner.** Le moteur en rotation risque de causer des blessures.
6. **Lorsque l'outil est branché, ne laissez-le jamais sans surveillance.** Mettez l'interrupteur en position « arrêt » puis retirez la fiche de la prise avant de sortir.
7. **AVERTISSEMENT!** Certains outils, tels que les sableuses électriques, les scies, les meules, les perceuses ou certains autres outils de construction, peuvent soulever de la poussière contenant des produits chimiques susceptibles (en Californie) d'entraîner le cancer des malformations congénitales ou pouvant être nocifs pour le système reproductif. Parmi ces produits chimiques, on retrouve:
 - le plomb dans les peintures à base de plomb;
 - la silice cristalline dans les briques et le ciment et autres produits de maçonnerie;
 - l'arsenic et le chrome dans le bois de sciage ayant subi un traitement chimique.Le risque associé à telles expositions peut varier selon la fréquence avec laquelle on effectue ces travaux. Pour réduire l'exposition à de tels produits, il faut travailler dans un endroit bien ventilé et utiliser l'équipement de sécurité approprié, tel un masque anti poussière spécialement conçu pour filtrer les particules microscopique. (California Health & Safety Code § 25249.5, *et seq.*)
8. **Certains bois contiennent les agents tel que (CCA) du cuivre chrome arsenate que peut être toxique.** Lorsque vous coupez ces matériaux, assurez – vous de ne pas inhaler et minimisez le contact avec le peau.
9. **Attention !** Eviter de s'exposé à oxyde aluminium, ceci peut entraîner l'irritation des yeux , du peau et des problèmes respiratoires. Utilisez toujours des respiratoires approuvé par NIOSH (National Institute for Occupational Safety and Health) et des lunettes protectrice approuvé par ANSI. Assurez-vous que l' aire de travail est bien ventilé.
10. **Avertissement !** Les consignes de sécurité et précautions mentionnées dans ce guide ne couvriront pas toutes les conditions et situations que peut arriver. Il vous incombe d'utiliser en toute sécurité.

Remarque: Le fonctionnement de l'outil peut varier selon les variations en volts de cordon local. Le fonctionnement d'un rallonge peut affecté la performance de l'outil.

CONSERVEZ CES INSTRUCTIONS

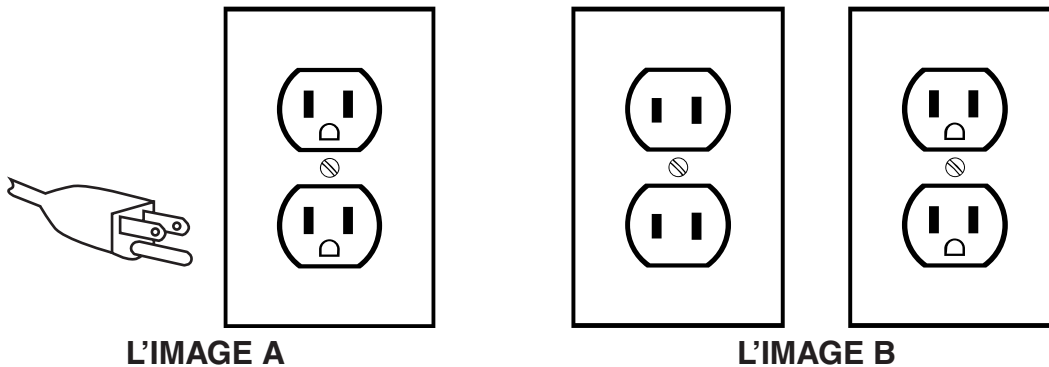
MISE À LA TERRE

AVERTISSEMENT!

Une mauvaise connexion du fil de terre de l'outil peut entraîner un risque de choc électrique. En cas de doutes, consultez un électricien qualifié ou une personne affectée à l'entretien. Ne modifiez pas la fiche de l'outil. Ne modifiez pas la fiche mise à la terre à trois broches. N'utilisez pas l'outil si le cordon d'alimentation ou la fiche est endommagé. S'il est endommagé le faites réparer dans un centre de service avant de l'utiliser.

LES OUTILS MISE À LA TERRE : LES OUTILS FICHE À TROIS BROCHES

1. Les outils étiquetés «Mise à la terre requis» sont munis d'un cordon tri filaire mise à la terre et une prise de mise à la terre. La fiche doit être branché à un cordon mis à la terre. En cas de fonctionnement défectueux ou de panne, la mise à la terre assure un parcours sécuritaire de faible résistance pour le courant électrique, ce qui réduit les risques de choc électrique. (Voir L'IMAGE A.)
2. La broche de mise à la terre à l'intérieur de la fiche est raccordée à travers le fil vert à l'intérieur du cordon au conducteur de mise à la terre de l'outil. Le fil vert à l'intérieur du cordon doit être le seul fil raccordé au conducteur de mise à la terre de l'outil et ne devrait jamais être raccordé à une lame sous tension. (Voir L'IMAGE A.)
3. L'outil doit être branché dans une prise de courant correctement installée et mise à terre conformément à tous les codes et règlements locaux. La fiche et la prise de courant semblable à celles l'illustrée ci-après. (Voir L'IMAGE A.)



LES OUTILS À DOUBLE ISOLATION: LES OUTILS AVEC FICHE À DEUX BROCHES

Notez : Cet article a une prise de courant de deux dents.

1. La double isolation élimine le besoin d'un cordon tri filaire mis à la terre et d'un système d'alimentation mise à la terre. Ils ont un système spécial double isolation

qui se conforme aux exigences de OSHA et conforme aux normes de Underwriters Laboratories, Inc., de L'Association Canadienne de Normalisation et du Code Electrique National. **(Voir L'IMAGE B.)**

2. Les outils à double isolation peuvent être utilisé dans l'un ou l'autre de la prise de courant d'un circuit de 120 volts comme le montre l'illustration ci-dessus. **(Voir L'IMAGE B.)**




CORDONS DE RALLONGE

1. L'outil avec mise à la terre doit utiliser une rallonge à trois fils. Les outils a double isolation peuvent utiliser une rallonge à deux ou trois fils.
2. L'utilisation d'un cordon de calibre inférieur occasionne une baisse de tension entraînant une perte de puissance et la surchauffe. **(Voir L'IMAGE C.)**
3. Le calibre du fil est inversement proportionnel à sa grosseur. **(Voir L'IMAGE C.)**
4. Lorsque vous utilisez plus d'un cordon de rallonge pour longueur, assurez-vous que le calibre des fils des cordons convient à l'intensité du courant consommé par l'outil. **(Voir L'IMAGE C.)**
5. Si vous utilisez un cordon de rallonge pour multiples outils, mettez l'intensité nominale de la plaque signalétique et utiliser le somme de déterminer le calibre de cordon minimum requis. **(Voir L'IMAGE C.)**
6. Lorsque vous utilisez un outil électrique à l'extérieur, vous devez vous servir d'une rallonge électrique portant le symbole « W-A » ou « W ».au Canada. Ces cordons ont une tolérance appropriée à un usage extérieur.
7. Assurez-vous que la rallonge est bien câblée et en bon état. Si la rallonge est endommagée, remplacez-la ou faites-la réparer par un électricien qualifié avant de vous en servir.
8. La rallonge ne doit pas venir en contact avec des objets tranchants, être exposée à de la chaleur excessive ni être utilisée dans un endroit mouillé ou humide.

CALIBRE MINIMUM DES RALLONGES * (COURANT DE 120 OU 240 V SEULEMENT)					
L'INTENSITÉ NOMINALE (au maximum)	Longueur de la rallonge en pieds				
	25 pieds	50 pieds	75 pieds	100 pieds	150 pieds
0 – 2.0	18	18	18	18	16
2.1 – 3.4	18	18	18	16	14
3.5 – 5.0	18	18	16	14	12
5.1 – 7.0	18	16	14	12	12
7.1 – 12.0	18	14	12	10	-
12.1 – 16.0	14	12	10	-	-
16.1 – 20.0	12	10	-	-	-

L'IMAGE C *Basé sur limitant le volt du cordon, baissez à cinq volts à 150 % de l'intensité nominale.

SYMBOLES

	Construction de Classe 11
	Association Canadienne de Normalisation
	Underwriters Laboratories Inc.
V~	Volts
A	Ampères
n ₀ xxxx/min.	Sous Vide xxxx/tours à la minute

DÉBALLER

Lorsque vous déballez, assurez-vous que les pièces ne sont pas endommagées. S'il manque des pièces ou si des pièces sont endommagées, communiquez le plus vite possible avec Harbor Freight Tools au numéro qui figure sur la couverture de ce guide.

LES INSTRUCTIONS D'ASSEMBLAGE

Remarque: Pour obtenir plus de renseignements sur les pièces qui figurent sur les pages suivantes, reportez-vous au Schéma du Produit à la page 13.

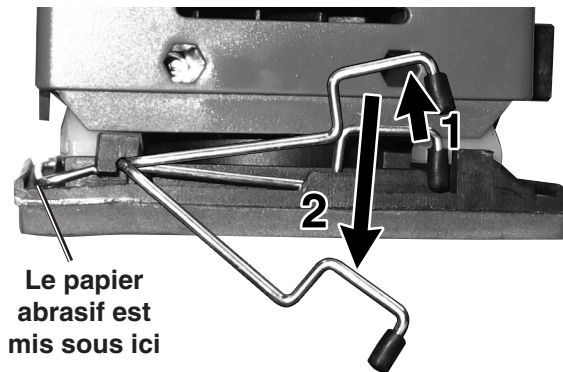
Attention: Assurez – vous de débrancher toujours Le Cordon d’Alimentation (26) avant d’effectuer un réglage.

ATTACHER LE SAC À POUSSIÈRE (12)

1. Pour attacher Le Sac à poussière (12) à la ponceuse, mettez l’ouverture du Sac à Poussière (12) au – dessus de l’ouverture de la Porte de Poussière de la Ponceuse et appuyez. Fixez – la en place dans la gaine angle droit à l’arrière de la ponceuse.
2. La chute de collection de poussière ne fonctionne que si le papier abrasif a des trous qui s’alignent avec les 6 trous à collection de poussières dans le Tampon en Caoutchouc (22). (Il y a 4 trous additionnels dans le tampon en caoutchouc pour les Vis).

ATTACHER LE PAPIER ABRASIF AU TAMPON EN CAOUTCHOUC (22)

1. Appuyez sur la languette sur Les Pinces (17) ver l’intérieure aux deux côtés de l’outil et tournez les pinces sur les deux côtés ver le haut, ver l’extérieur et ver le bas jusqu’ à ce que la pince soit desserre. Voir 1 & 2, à droite.
2. Coupez le papier abrasif afin de mettre dans le Tampon en Caoutchouc (22) d’une longueur 4 p o W x 4 1/2 p o L, avec un supplémentaire pour mettre sous Les Pinces (17). **N’utilisez pas de papier abrasif endommages.**
3. Après avoir enveloppé les extrémités du papier sous Les Pinces (17), refermez Les Pinces.



COMMENT UTILISER LE PERFORATEUR DE TROU DE PAPIER ABRASIF (29)

Installez le Perforateur de Trou de Papier abrasif (29) à un banc de travail en utilisant deux comptoir coulant des vis (non inclus). Appuyez sur la ponceuse (avec le papier abrasif attaché à cela), directement en bas sur le Perforateur de Trou de Papier abrasif. Utilisez les guides de coin, sur le Perforateur de Trou, assurer que les trous alignent avec les trous dans le Coussinet Soutenant (22) de la Ponceuse.

FONCTIONNEMENT


Remarque: Pour obtenir plus de renseignements sur les pièces qui figurent sur les pages suivantes, reportez-vous au **SCHEMA DU PRODUIT à la page 13.**

1. **Attention :** Assurez – vous de brancher Le Cordon d'alimentation (26) de l'outil avant de faire des réglages, de changer des accessoires.
2. Utilisez des serre-joints ou un autre moyen pratique de retenir et de soutenir la pièce à travailler. Assurez– vous qu'il n' y a aucun clou ni aucun corps étranger dans la pièce à travailler. Ceci peut endommager le papier abrasif et le Tampon en caoutchouc (22).
3. Avant de portez des vêtement approprié figurant à la page 2 de ce guide, débranchez l'outil.
4. Mettez en marche l'outil avec L'Interrupteur (3).
5. Toujours mettez en marche l'outil pendant quelques secondes avant de l'utiliser.
6. Contactez la pièce de travailler avec peu de pression. Si la ponceuse ne fonctionne pas adéquatement, utilisez un papier à grains moyens. Pour faire rapidement un gros ouvrage, utilisez une ponceuse de ceinture.

Remarque : Vous pouvez enlever rapidement les marques de coulis en inclinant légèrement la ponceuse de manière à poncer au moyen du talon de tampon.

7. Vérifier souvent la surface, car la ponceuse agit rapidement, surtout lorsque vous utilisez du papier à gros grain. S'il est nécessaire, faites remplacer le papier abrasif.
8. Avant de l'utilisation de la ponceuse, mettez L'Interrupteur (3) à la position « Arrêt ».

INSPECTION, ENTRETIEN ET NETTOYAGE

1.  **Avertissement!** Assurez-vous de régler l'Interrupteur (3) à la position ARRÊT et assurez-vous de débrancher l'outil de la prise de courant électrique avant d'y placer ou d'en enlever des pièces ou avant un nettoyage.
2. **Avant chaque utilisation,** vérifiez si des pièces mobiles sont désalignées ou coincées, si des pièces sont endommagées ou toute autre situation pouvant nuire au bon fonctionnement de l'outil. Si l'outil est endommagé, faites-le réparer avant de vous en servir. **Ne utilisez pas votre appareil si une pièce quelconque est brisée.**
3. Essuyez l'outil après chaque utilisation à l'aide d'un chiffon sec.
4. Assurez – vous qu'il n'y a aucun corps étranger ou poussières au dessus des ventilateurs.
5. Périodiquement, faites nettoyer ou remplacer Les Balai de Carbone (9) par un électricien qualifié.

LES PIÈCES

Pièce	Description	Q'ty
1	Enceint au dessous	1
2	Enceint au dessus	1
3	L'Interrupteur	1
4	Anneau Redresser	1
5	Rotor et Ventilateur	1
6	Cylindre à Caoutchouc	4
7	Couvercle d'Interrupteur	1
8	Support de brosse	2
9	Balai de Carbone	2
10	Alésage 6 x 19 x 6	1
11	Alésage 9 x 26 x 8	1
12	Le Sac à Poussière	1
13	Ventilateur Équilibre	1
14	Planche à fond	1
15	Vis M4 x 8	2
16	Joint	2

Pièce	Description	Q'ty
17	Fil de Serre-joint	2
18	Alésage 12 x 28 x 8	1
19	Bague	1
20	Joint	1
21	Vis M4 x 12	1
22	Tampon en caoutchouc	1
23	Fixation de Cordon	1
24	Vis ST 3 x 12	2
25	Protecteur de Cordon	1
26	Le Cordon d'Alimentation et La Fiche	1
27	Étiquette	2
28	Vis ST 4.2 x 19	4
29	Perforateur de Trou de Papier Abrasif	1

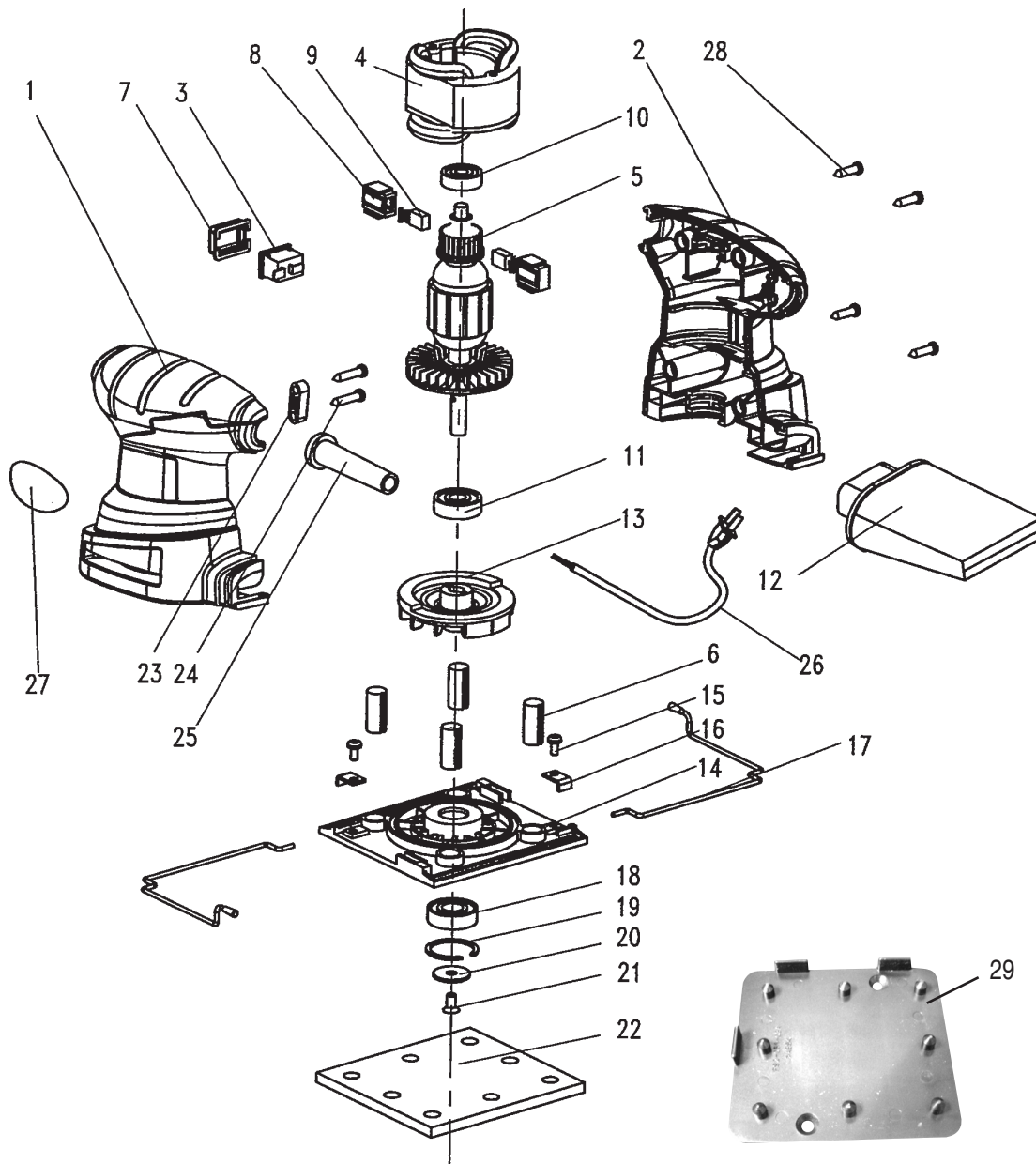
Notez le Numéro de Série du Produit ici: _____

Remarque : S'il n'y a pas de numéro de série, notez la date d'achat.

Remarque: Des pièces figurant sur la liste ont pour but d'illustrer seulement, et ne sont pas disponible comme des pièces de rechange.



SCHEMA DU PRODUIT



LISEZ S'IL VOUS PLAÎT LE SUIVANT SOIGNEUSEMENT

LE FABRICANT ET-OU LE DISTRIBUTEUR A FOURNI LA LISTE DE PIÈCES ET LE DIAGRAMME DE MONTAGE DANS CE MANUEL COMME UN INSTRUMENT DE RÉFÉRENCE SEULEMENT. AUCUN LE FABRICANT OU LE DISTRIBUTEUR FONT N'IMPORTE QUELLE REPRÉSENTATION OU GARANTIE DE N'IMPORTE QUELLE SORTE À L'ACHETEUR QU'IL OU ELLE EST AUTORISÉ POUR FAIRE N'IMPORTE QUELLES RÉPARATIONS AU PRODUIT, OU QU'IL OU ELLE EST AUTORISÉ POUR REMPLACER N'IMPORTE QUELLES PIÈCES DU PRODUIT. EN FAIT, LE FABRICANT ET-OU LE DISTRIBUTEUR DÉCLARE EXPRESSÉMENT QUE TOUTES LES RÉPARATIONS ET LES REMPLACEMENTS DE PIÈCES DEVRAIENT ÊTRE ENTREPRIS PAR LES TECHNICIENS DIPLÔMÉS ET AGRÉÉS ET PAS PAR L'ACHETEUR. L'ACHETEUR SUPPOSE TOUT LE RISQUE ET LA RESPONSABILITÉ SURVENANT DU FAIT DE SES RÉPARATIONS AU PRODUIT ORIGINAL OU AUX PIÈCES DÉTACHÉES Y, OU SURVENANT DU FAIT DE SON INSTALLATION DE PIÈCES DÉTACHÉES Y.

REV 02/07

SKU 95020

Pour les questions techniques, appelez-vous s'il vous plaît 1-800-444-3353.

Page 13

Free Manuals Download Website

<http://myh66.com>

<http://usermanuals.us>

<http://www.somanuals.com>

<http://www.4manuals.cc>

<http://www.manual-lib.com>

<http://www.404manual.com>

<http://www.luxmanual.com>

<http://aubethermostatmanual.com>

Golf course search by state

<http://golfingnear.com>

Email search by domain

<http://emailbydomain.com>

Auto manuals search

<http://auto.somanuals.com>

TV manuals search

<http://tv.somanuals.com>