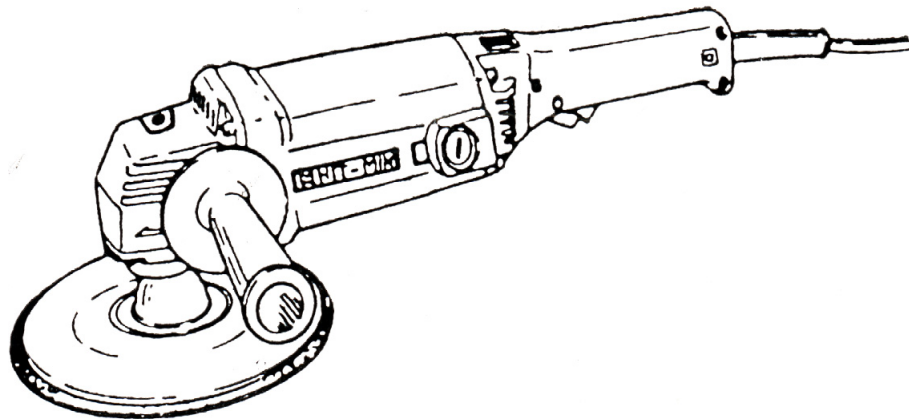


CHICAGO

Electric Power Tools

7" ELECTRIC POLISHER / SANDER MODEL 41213 ASSEMBLY and OPERATING INSTRUCTIONS



3491 Mission Oaks Blvd. Camarillo, CA 93011

Copyright © 1999 by Harbor Freight Tools®. All Rights reserved. No portion of this manual or any artwork contained herein may be reproduced in any shape or form without the express written consent of Harbor Freight Tools.

For Technical Questions and replacement parts, please Call 1-800-444-3353

Please visit our WebSite
at
www.harborfreight.com

Specifications

Voltage & Watts	110 volts, 850 watts, 60Hz, Single Phase
Amps	6 amps / no load 2.0 / with load 2.5 / start up 3.6
RPM	2 Speeds (2800 / 3300)
Arbor diameter	7/8"
Spindle thread	5/8" – 11
Wheel diameter	6 – 3 / 4"

Warning!!!

Read all instructions before charging or operating the tool.

Save This Manual. You will need it for safety guidelines, operating instructions, and parts list. Keep your invoice with this manual and record your invoice number here _____ for future reference.

Rules For Safe Operation

Work Area

1. **Keep Work Area Clean.** Cluttered areas invite accidents.
2. **Consider Work Environment.** Do not use power tools in damp or wet locations. Do not expose to rain. Do not use tools in presence of flammable liquids or gases.
3. **Keep Children Away.** All children should be kept away from work area. Do not let them handle tools or electrical cords.
4. **Store Idle Equipment.** When not in use store tools in a high, dry, locked location.

Personal Safety

5. **Dress Properly.** Do not wear loose clothing or jewelry that can be caught in moving parts and cause personal injury. Wear protective hair covering to protect long hair. Rubber gloves and non skid footwear are recommended when working outdoors.
6. **Protect Your Eyes, Ears, and Lungs.** Wear safety glasses. Wear a dust mask. Use a full face mask if you are producing metal filings or wood chips. Wear hearing protection during extended periods of operation. Safety equipment is available at Harbor Freight Tools.
7. **Stay Alert.** Concentrate on what you are doing. Use common sense. Do not operate while under the influence of drugs or alcohol. Read warning labels on prescription medication to determine if the medication will impair your judgment or reflexes.

8. **Guard Against Electric Shock.** Prevent body contact with grounded surfaces such as pipes, refrigerator enclosures, radiators, and ranges.
9. **Disconnect Tools.** Disconnect tools when not in use.
10. **Do Not Overreach.** Keep proper footing and balance at all times. Do not reach over machines that are running.
11. **Avoid Accidental Starting.** Never carry a power tool with a finger on the trigger.

Tool Care And Use

12. **Check For Damaged Parts.** Before using a tool check for damaged parts. If found, determine whether or not the tool will operate properly and perform its intended function. Check for alignment of moving parts, binding of moving parts, breakage of moving parts, mounting, or any other condition that might affect operation. Any damaged part should be serviced or replaced by an authorized service center, unless otherwise stated elsewhere in this manual. Do not use the tool if switch does not turn on and off properly.
13. **Maintain Tools With Care** Follow instructions for lubricating or changing accessories. Inspect tool or charger cords before using. If a cord is damaged have it repaired by an authorized service center. Keep handles dry, clean, and free from oil and grease.
14. **Secure Work.** Use clamps or a vise to hold your work. It is safer than using your hands and frees both hands to operate the tool.
15. **Do Not Force The Tool.** It will do a better job and be safer to operate when used at the rate it was designed for.
16. **Use The Right Tool.** Do not force a small tool or attachment to do the work of a larger, heavy duty tool. Do not use the tool for a purpose for which it was not intended.
17. **Replacement Parts And Accessories.** When servicing use only identical replacement parts or accessories. Approved parts and accessories are available at Harbor Freight Tools.

Voltage Warning

Before connecting any power tool to a power source (receptacle, outlet) make sure the voltage supplied is the same as specified on the name plate on the tool. A power source with a voltage greater than specified on the tool can result in **SERIOUS INJURY** to the user, and damage the tool. If in doubt, **DO NOT PLUG IN THE TOOL** and ask a qualified, certified technician.

Extension Cords

An extension cord should not be used unless absolutely necessary. Make sure that the pins on the plug of the extension cord are the same number, size and shape as those on the tool. If an extension cord is to be used outdoors, make sure that it is designated **W-A** on the cord jacket. Round jacketed extension cords listed by **Underwriters Laboratory (UL)** are preferable.

AMP RATING	TOTAL EXTENSION CORD(S) LENGHT IN FEET								
	25	50	75	100	125	150	175	200	
0-10.0	18	18	16	16	14	14	12	12	A W G
10.1-13.0	16	16	14	14	14	12	12	12	
13.1-15	14	14	12	12	12	12	12	--	
15.1-18	12	12	12	12	12	12	--	--	

Assembly

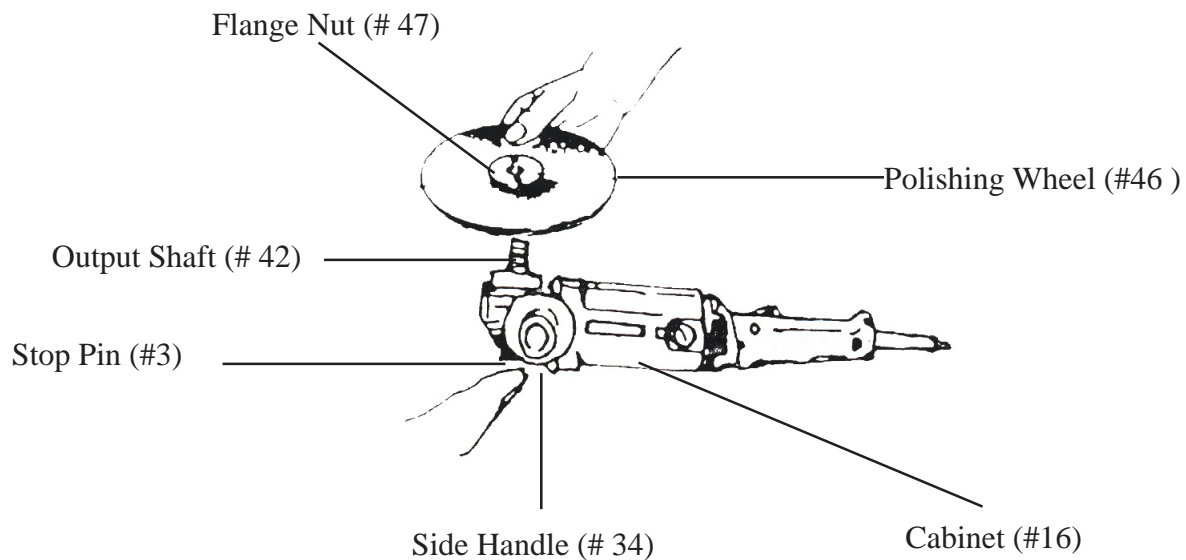
IMPORTANT

Carefully inspect the condition of the accessory before use and check the accessory continually during use. If any damage is noted, stop immediately and replace the accessory with an undamaged one. **Harbor Freight Tools cannot be held responsible for damage caused by using a damaged accessory on this tool.**

See Figure 1

Attach the **Side Handle (#34)** to the **Cabinet (#16)**. Hold the Polisher upside down resting in your hand with your finger on the **Stop Pin (#3)**. Depress the **Stop Pin (#3)** so that the **Output Shaft (#42)** won't turn. Insert the knobs protruding from the end of the **Wrench (#49)** into the recessed holes on the **Flange Nut (#47)**. Loosen and remove the **Flange Nut (#47)** by turning it counterclockwise. Set the **Polishing Wheel (#46)** on the **Output Shaft (#42)**. Replace the **Flange Nut (#47)**. Make sure you are depressing the **Stop Pin (#3)** while using the **Wrench (#49)** to tighten the **Flange Nut (#47)** by turning it clockwise until firmly in place. Wrap one of the **Wool Bonnets** (two provided) on top of the **Polishing Wheel (#46)**. Tie it securely using the drawstring. **Make sure to tuck any excess string inside the Bonnet.**

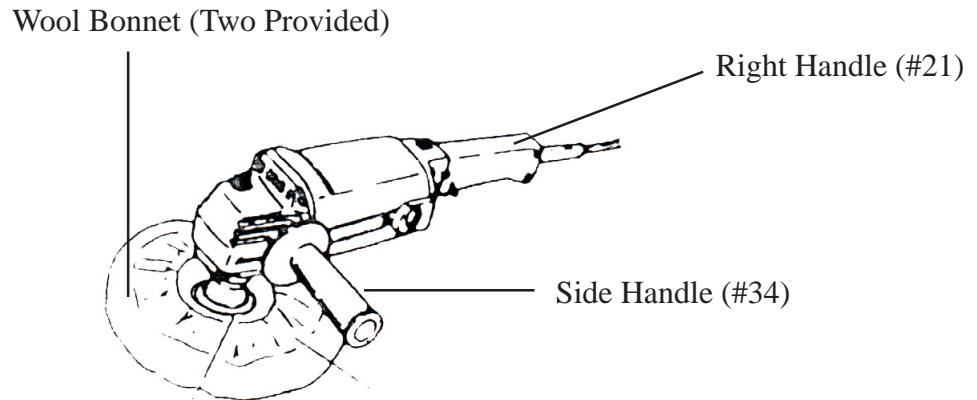
Figure 1



OPERATION

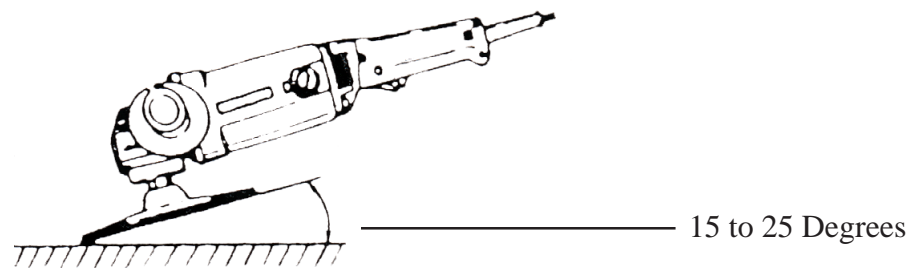
Warning!! Never mount a grinding wheel and use as a disc grinder.

Figure 2



Always hold the **Right Handle (#21)** and the **Side Handle (#34)** firmly when operating the tool. Use Wool Bonnet with a small amount of polishing compound or car wax. Do not put a lot of pressure on the polishing disc. Too much pressure will result in a poor finish and will possibly overload the motor. The weight of the polisher itself is sufficient. Do not wax or polish a car in the direct sunlight. Work in a shaded area.

Figure 3

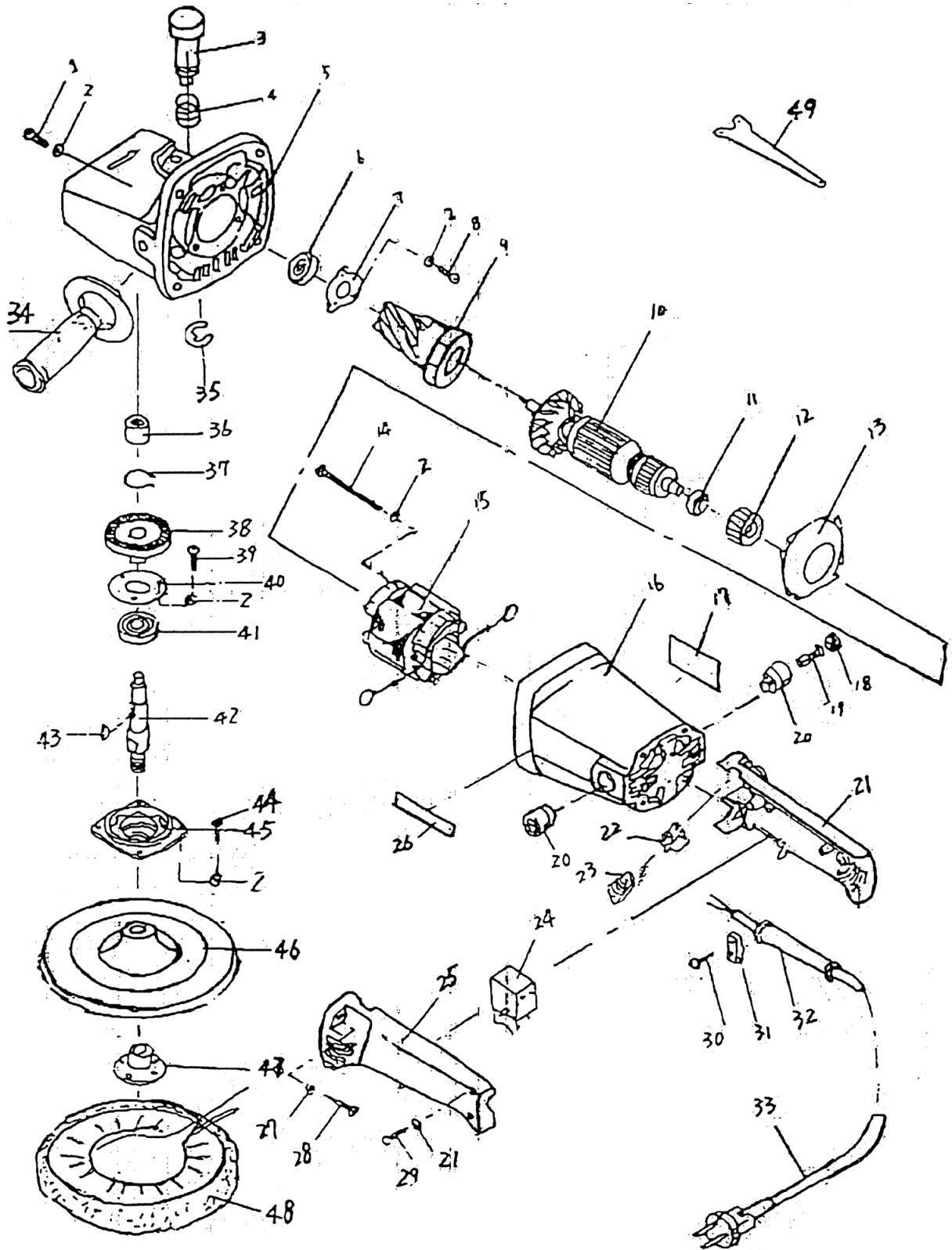


To use this tool as a sander refer to Figure 1 under ASSEMBLY directions on page four. Follow the same directions, substituting the **Sanding Disc** for the **Polishing Wheel (#46)**.

Do not use the entire **Sanding Disc** surface on the workpiece. The inner edge of the disc should be used at a 15 to 25 degree angle as shown in Figure 3. Let the tool do the job for you. Excessive pressure will result in uneven surfaces and could damage the motor.

Sanding Discs can be purchased at Harbor Freight Tools.

Parts Diagram



ELECTRIC POLISHER PARTS LIST

No	Part Name	No	Part Name
1	Screw	26	Brand
2	Washer	27	Washer
3	Stop Pin	28	Screw
4	Spring	29	Screw
5	Gear Box	30	Screw
6	Bearing	31	Cord Clip
7	Bearing Cover	32	Cord Armor
8	Screw	33	Cord
9	Pinion Gear	34	Side Handle
10	Armature	35	Axle Check Ring
11	Bearing	36	Bearing
12	Bearing Screw	37	Axle Check Ring
13	Fan Guide	38	Gear
14	Screw	39	Screw
15	Stator	40	Bearing Cover
16	Cabinet	41	Bearing
17	Brand	42	Output shaft
18	Brush Cap	43	Woodruff Key
19	Brush	44	Screw
20	Brush Holder	45	Packing Gland
21	Right Handle	46	Polishing Wheel
22	Alternation Switch	47	Flange Nut
23	Rubber Switch Cap	48	Fleece Pad
24	Switch	49	Wrench
25	Left Handle		

MAINTENANCE

1. Inspect all of the mounting screws regularly as the unit produces up to 3400 rpms causing vibration. Tighten if necessary.
2. Inspect the carbon **Alternation Switch (#22)** every six months. If it looks worn, have it replaced by an authorized service representative.
3. Keep any liquid materials away from the motor.
4. After repeated use, Wool Bonnets will wear. Purchase new Wool Bonnets at Harbor Freight Tools.

Free Manuals Download Website

<http://myh66.com>

<http://usermanuals.us>

<http://www.somanuals.com>

<http://www.4manuals.cc>

<http://www.manual-lib.com>

<http://www.404manual.com>

<http://www.luxmanual.com>

<http://aubethermostatmanual.com>

Golf course search by state

<http://golfingnear.com>

Email search by domain

<http://emailbydomain.com>

Auto manuals search

<http://auto.somanuals.com>

TV manuals search

<http://tv.somanuals.com>