

# HAUL-MASTER™



## Item #38137 Steel Flat Rack Wagon Assembly and Operating Instructions



3491 Mission Oaks Blvd., Camarillo, CA 93011

Copyright © 1998 by Harbor Freight Tools®. All rights reserved. No portion of this manual or any artwork contained herein may be reproduced in any shape or form without the express written consent of Harbor Freight tools.

**For technical questions and replacement parts, please call 1-800-444-3353.**

Thank you for choosing a Harbor Freight Tools product! For future reference, please complete the owner's record below:

**Model:** \_\_\_\_\_

**Purchase Date:** \_\_\_\_\_

Save the receipt and these instructions. It is important that you read the entire instruction sheet to become familiar with this product before you begin using it.

### Technical Specifications:

Capacity: 1000 lbs.

Wagon Deck: 4' long, 2' wide

Wheels: Steel Hubs with Bearings

Steering: Steel Handle and Steering Mechanism

## Assembly and Operating Instructions

Some assembly is required as described below. Refer to the parts diagram and part number listing on the reverse side of this page when performing assembly operations.

1. Turn the Tray (B) upside down so that the exposed screw holes can be seen.
2. Attach the Rear Bracket (C) to the Tray using two Bolts (M8x38)-for connection of the main axle portion of the Rear Bracket, and four Bolts (M6x20)-for connection of the support arms of the Rear Bracket. All bolts receive both a Spring Washer, Flat Washer, and Nut.
3. Attach the Turning Bracket (D) to the Tray using two Bolts (M8x38)-for connection of the main axle portion of the Turning Bracket, and two Bolts (M6x20)-for connection of the front portion of the Turning Bracket. The rear portion of the Turning Bracket is attached to the Tray with 2 Bolts (M6x20). All bolts receive a Spring Washer, Flat Washer and a Nut.
4. Attach the Handle (E) to the Turning Bracket by using Bolt (M6x63), Spring Washer, Flat Washer and Nut.
5. Install the four Wheels (F) by placing each wheel on the axle portion of the Turning Bracket and the Rear Bracket. Secure each Wheel with a Flat Washer (M16) and a Split Pin (M3x30).

6. Test all bolts and nuts for tightness before turning the wagon over on its wheels. Roll the wagon to check for proper wheel operation. Periodically check tire inflation (maximum tire inflation is 30 PSI). Periodically lubricate wheel axles.
7. The Steel Flat Rack Wagon is ready to use. Use the Handle to easily turn and maneuver the wagon.

## Warning:

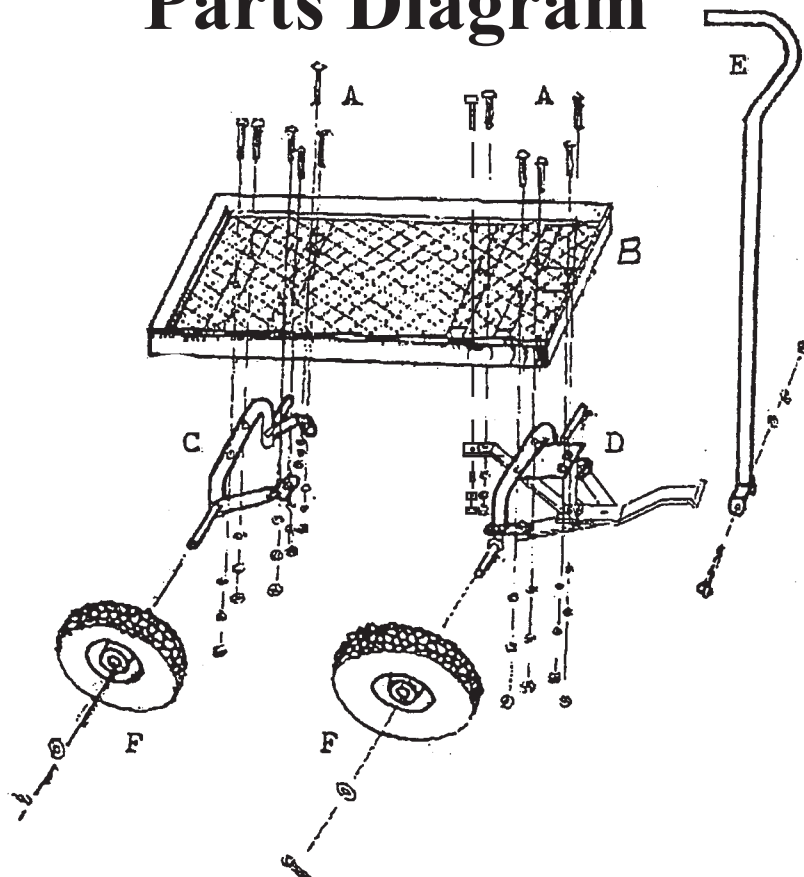
1. Always wear ANSI approved safety goggles when assembling and working with tools and equipment.
2. **The Steel Flat Rack Wagon has a weight capacity of 1000 lbs. Do not exceed this weight capacity.**
3. When loading and unloading the wagon, be careful of the balance of the wagon. Always be careful of the Handle which can tip and fall from the upright position.
4. Always block the four wheels when loading or unloading the wagon.
5. Never allow children to play with the wagon. This wagon is not a toy.

## Part Number Listing

Part	Description	Qty
A	Assembly Hardware	1 Set*
B	Tray	1
C	Rear Bracket	1
D	Turning Bracket	1
E	Handle	1
F	Wheels	4

\*Hardware includes: 1 Bolt M6x63, 4 Bolts M8x38, 8 Bolts M6x20, 9 Nuts M6, 4 Nuts M8, 9 Spring Washers M6, 9 Flat Washers M6, 4 Spring Washers M8, 4 Flat Washers M8, 4 Flat Washers M16, 4 Split Pins M3x30.

## Parts Diagram



## Free Manuals Download Website

<http://myh66.com>

<http://usermanuals.us>

<http://www.somanuals.com>

<http://www.4manuals.cc>

<http://www.manual-lib.com>

<http://www.404manual.com>

<http://www.luxmanual.com>

<http://aubethermostatmanual.com>

Golf course search by state

<http://golfingnear.com>

Email search by domain

<http://emailbydomain.com>

Auto manuals search

<http://auto.somanuals.com>

TV manuals search

<http://tv.somanuals.com>