

HAUL-MASTER™



BIG FOOT PANEL WAGON

Model 32826

ASSEMBLY & OPERATING INSTRUCTIONS



Diagrams within this manual may not be drawn proportionally.
Due to continuing improvements, actual product may differ slightly from the product described herein.

Distributed exclusively by Harbor Freight Tools®.

3491 Mission Oaks Blvd., Camarillo, CA 93011

Visit our website at: <http://www.harborfreight.com>



**Read this material before using this product.
Failure to do so can result in serious injury.
SAVE THIS MANUAL.**

Copyright© 1999 by Harbor Freight Tools®. All rights reserved. No portion of this manual or any artwork contained herein may be reproduced in any shape or form without the express written consent of Harbor Freight Tools.

For technical questions or replacement parts, please call 1-800-444-3353.

THANK YOU for choosing a **HARBOR FREIGHT TOOLS** product. For future reference, please complete the owner's record below:

Model _____ **Serial No.** _____ **Purchase Date** _____

SAVE THE RECEIPT, WARRANTY AND THESE INSTRUCTIONS. It is important that you read the entire manual to become familiar with the unit BEFORE you begin assembly.

Technical Specifications

Tool Name:	Big Foot Panel Wagon
Item Number:	32826
Tires:	Pneumatic 10"
Deck Size:	33-5/8" x 15-3/4" x 5-1/2"
Max. Weight Capacity:	330 Lbs.
Inside Dimensions:	31-7/8" x 13-3/4" x 4"
Optional Accessory:	Spare wheels (Item #30900) are available through Harbor Freight Tools.



READ ALL INSTRUCTIONS BEFORE USING THIS PRODUCT!

Warning: The warnings, cautions and instructions discussed in this instruction manual cannot cover all possible conditions and situations that may occur. It must be understood by the operator that **COMMON SENSE AND CAUTION ARE FACTORS WHICH CANNOT BE BUILT INTO THIS PRODUCT, BUT MUST BE SUPPLIED BY THE OPERATOR.**

The Operator

PLEASE REMEMBER:

Do not operate the product if under the influence of alcohol or drugs. Read warning labels on prescriptions to determine if your judgment/reflexes might be impaired.

Be careful not to get fingers, hands or feet under the tires. Keep hands and feet inside the Wagon.

Protective gloves and non-skid footwear is recommended.

Be very cautious when using the wagon on rough terrain.

Use caution when going over steps and curbs.

Only one person on wagon at a time.

Do not exceed the maximum weight capacity.

An approved safety helmet must be worn at all times.

Use only under adult supervision.

Before Operating

Before using your Wagon, any part that appears damaged should be carefully checked to determine that it will operate properly and perform its intended function.

Before operating your Big Foot Panel Wagon, check for damaged parts.

Do not over inflate the tires. Check the instructions on the tires for proper air pressure.

Inspect all parts for sharp edges before using your wagon. Great care has been taken to assure smooth surfaces but a complete inspection before using could prevent injury.

Periodically inspect all nuts, bolts and tires to make certain that they are tight and properly inflated.

Make certain to park the Wagon on a level and secure area.

Assembly

Your Wagon comes unassembled. For assistance with assembly, please refer to the parts list and the Assembly diagram on page 5. It is recommended that your wagon be assembled with the Tray placed over sawhorses or sturdy cartons. This allows easy access to the wagon and protects it from damage during assembly.

Do not use excessive force when tightening the screws, as this may result in damage to the support arms.

- Step 1) With the Tray (part A) upside down so the bottom is facing upward, place it over saw horses or sturdy cartons.
- Step 2) Attach the Rear Axle Assembly (part H) to the Tray (A) using two (2) 1/2" Bolts. Line up the Rear Axle Assembly with the holes located at the very back of the Wagon. Insert the Bolt so that the small washers, small lock washers and cap nuts (found in Hardware bag K) are screwed on from the underside of the wagon.
- Step 3) Slide each of the Rear Axle Braces (part I) over the end of each Rear Axle until they sit firmly to the inside of the Rear Axle Assembly (H). Line up the end of the Braces with the holes in the wagon. Using two (2) 1/2" Bolts, insert the bolts from the top of the wagon so that the small washers, lock washers and the nut (part K) are secured on the underside of the wagon.
- Step 4) Attach the Turntable (part D) to the Steering Assembly (part J). Attach the Steering Assembly to the Turntable using the 1-1/8" Bolt with Hole. Slide the Bolt through the underside of the Steering Assembly (J) and into the Turntable (part D). Secure it from inside the Turntable with the 7/8" Washer, the Large Lock Washer and the Hex Nut. Loosely thread the Hex Nut onto the Bolt. Insert the Cotter Pin through the hole and spread it open.
- Step 5) Attach both parts (now one assembled unit as shown in Step 4)-the Steering Assembly (part J) and the Turntable (part D), to the Tray (A). Insert each of the four (4) 1/2" Bolts from the top of the wagon and tighten it into place from the bottom of the Tray with four (4) small washers, four (4) small lock washers and four nuts.
- Step 6) Slide each of the four (4) Wheels (part C) onto an axle with the Air Valve facing out. Slide two (2) 1-1/4" Washers onto each axle, one on each side of the Wheel. After the Wheel and the Washers are in place attach the Cotter Pin to the outside of the Wheel.

- Step 7) Attach each of the four (4) Axle Caps (from Bag part K) to the Axles.
- Step 8) Insert the lower part of the Handle (part B) into the Steering Assembly (part J). Slide the 2-5/8" Bolt into the Assembly and through the Handle so that it exits the other side of the Assembly. Tighten the Bolt into place with a Small Washer and Nut Cap.
- Step 9) Turn the Wagon upright. Attach **one (1)** of the Long Side Panels (part E) to the wagon with the three (3) 1-3/4" Bolts going through both the Tray and each vertical slat. The top of the Bolts should be on the inside of the Tray. Tighten each into place with a washer then a Nut Cap.
- Note:** The Short Front Panel (part G) is the one with a downward curved front slat.
- Step 10) Attach the Short Rear Panel (part F) to the wagon with two (2) 1-3/4" Bolts going through the Tray (A) and each vertical slat. Tighten into place by sliding on the washer followed by the Nut Cap.
- Step 11) Attach the second Long Side Panel (part E) as in step 9. Attach the Short Front Panel (part G) with two (2) 1-3/4" Bolts. Tighten into place with the Washer and Nut Cap as previously described.

Operation

Your Wagon has a long handle mounted at the front. Use the handle to pull the wagon to your destination, as well as transporting loads to and from your destination.

Turning the Handle (part B) will cause the front wheels on the wagon to turn. Turn the Handle in the direction that you wish the wagon to go. The Handle can be raised for steering from inside the wagon, or lowered so that the wagon can be pulled from in front.

IF THERE IS ANY QUESTION ABOUT A CONDITION BEING SAFE OR UNSAFE, DO NOT OPERATE THE WAGON.

PLEASE READ THE FOLLOWING CAREFULLY

THE MANUFACTURER AND/OR DISTRIBUTOR HAS PROVIDED THE PARTS DIAGRAM IN THIS MANUAL AS A REFERENCE TOOL ONLY. NEITHER THE MANUFACTURER NOR DISTRIBUTOR MAKES ANY REPRESENTATION OR WARRANTY OF ANY KIND TO THE BUYER THAT HE OR SHE IS QUALIFIED TO MAKE ANY REPAIRS TO THE PRODUCT OR THAT HE OR SHE IS QUALIFIED TO REPLACE ANY PARTS OF THE PRODUCT. IN FACT, THE MANUFACTURER AND/OR DISTRIBUTOR EXPRESSLY STATES THAT ALL REPAIRS AND PARTS REPLACEMENTS SHOULD BE UNDERTAKEN BY CERTIFIED AND LICENSED TECHNICIANS AND NOT BY THE BUYER. THE BUYER ASSUMES ALL RISK AND LIABILITY ARISING OUT OF HIS OR HER REPAIRS TO THE ORIGINAL PRODUCT OR REPLACEMENT PARTS THERETO, OR ARISING OUT OF HIS OR HER INSTALLATION OF REPLACEMENT PARTS THERETO.

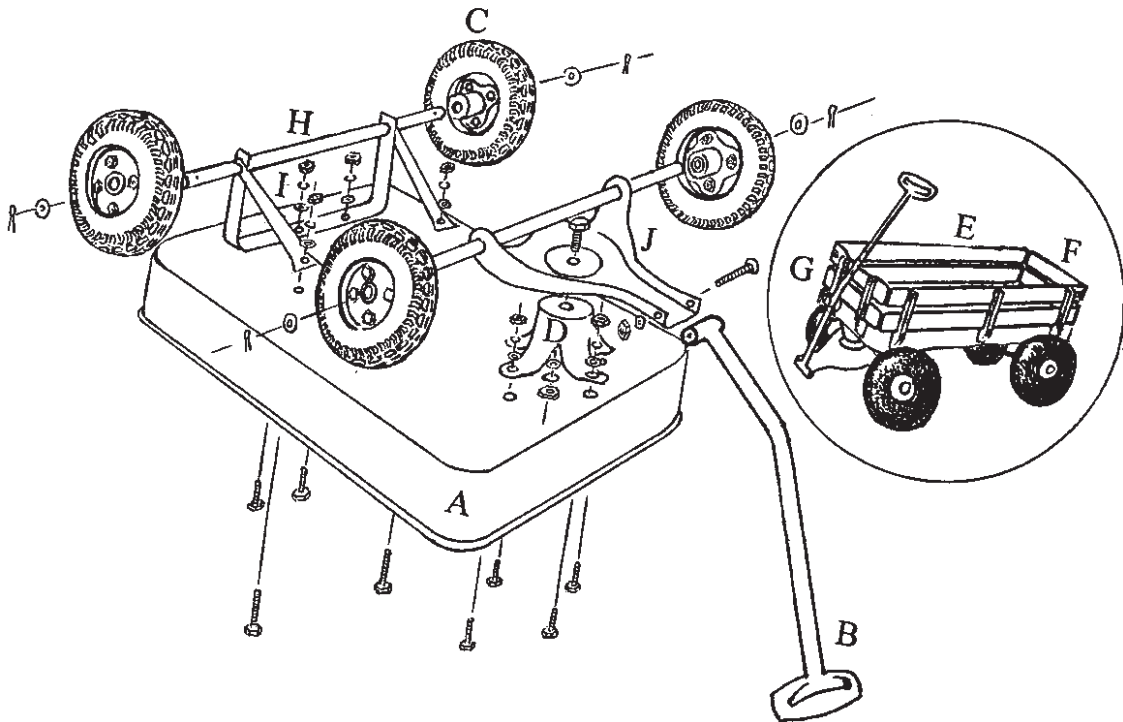
Unpacking

When unpacking your Big Foot Panel Wagon, check to make sure the following parts are included. If any parts are missing or broken, please call **Harbor Freight Tools** at **1-800-444-3353**.

Parts List-#32826

Part #	Description	Qty		Qty
A	Tray	1	K Assembly Hardware Bag Contains:	
B	Handle	1	All bolts are 6mm thread, and include a flat washer and nut to match.	
C	Wheels	4	1-3/4" round head bolts w/nuts & washers	8
D	Turntable	1	2-5/8" round head bolt (handle)w/nut & washer	1
E	Long Side Panel	2	1/2" flat head bolts (axle & steering yoke fasteners)	16
F	Short Rear Panel	1	w/nuts & washers	
G	Short Front Panel	1	cotter pins (wheels)	4
H	Rear Axle Assembly	1	large flat washers (wheels)	4
I	Rear Axle Braces	2	Axle caps	4
J	Steering Assembly	1	1-1/8" Bolt with hole	1
			7/8" Washer, large lock washer and Hex Nut (attaching Turntable to Steering Assembly)	1

Assembly Diagram-32826



Free Manuals Download Website

<http://myh66.com>

<http://usermanuals.us>

<http://www.somanuals.com>

<http://www.4manuals.cc>

<http://www.manual-lib.com>

<http://www.404manual.com>

<http://www.luxmanual.com>

<http://aubethermostatmanual.com>

Golf course search by state

<http://golfingnear.com>

Email search by domain

<http://emailbydomain.com>

Auto manuals search

<http://auto.somanuals.com>

TV manuals search

<http://tv.somanuals.com>