

# Owner's Manual & Safety Instructions

**Save This Manual** Keep this manual for the safety warnings and precautions, assembly, operating, inspection, maintenance and cleaning procedures. Write the product's serial number in the back of the manual near the assembly diagram (or month and year of purchase if product has no number). Keep this manual and the receipt in a safe and dry place for future reference.

**CHICAGO**  **ELECTRIC**  
POWER TOOLS

**ITEM 69334**

## 1-9/16" VARIABLE SPEED SDS MAX TYPE ROTARY HAMMER



REV 14f

Visit our website at: <http://www.harborfreight.com>  
Email our technical support at: [productsupport@harborfreight.com](mailto:productsupport@harborfreight.com)

When unpacking, make sure that the product is intact and undamaged. If any parts are missing or broken, please call 1-888-866-5797 as soon as possible.

Copyright© 2011 by Harbor Freight Tools®. All rights reserved.  
No portion of this manual or any artwork contained herein may be reproduced in any shape or form without the express written consent of Harbor Freight Tools. Diagrams within this manual may not be drawn proportionally. Due to continuing improvements, actual product may differ slightly from the product described herein.  
Tools required for assembly and service may not be included.

### **WARNING**






**Read this material before using this product.  
Failure to do so can result in serious injury.  
SAVE THIS MANUAL.**

# Table of Contents

Safety .....	2	Maintenance .....	12
Specifications .....	8	Parts List and Diagram .....	14
Setup .....	8	Warranty .....	16
Operation.....	9		

# CHICAGO ELECTRIC<sup>®</sup> POWER TOOLS

## WARNING SYMBOLS AND DEFINITIONS

	This is the safety alert symbol. It is used to alert you to potential personal injury hazards. Obey all safety messages that follow this symbol to avoid possible injury or death.
	Indicates a hazardous situation which, if not avoided, will result in death or serious injury.
	Indicates a hazardous situation which, if not avoided, could result in death or serious injury.
	Indicates a hazardous situation which, if not avoided, could result in minor or moderate injury.
	Addresses practices not related to personal injury.

## IMPORTANT SAFETY INFORMATION

### General Power Tool Safety Warnings

#### WARNING

**Read all safety warnings and instructions.**

*Failure to follow the warnings and instructions may result in electric shock, fire and/or serious injury.*

**Save all warnings and instructions for future reference.**

*The term "power tool" in the warnings refers to your mains-operated (corded) power tool.*

### Work area safety

- 1. Keep work area clean and well lit.**  
*Cluttered or dark areas invite accidents.*
- 2. Do not operate power tools in explosive atmospheres, such as in the presence of flammable liquids, gases or dust.** *Power tools create sparks which may ignite the dust or fumes.*
- 3. Keep children and bystanders away while operating a power tool.**  
*Distractions can cause you to lose control.*

## Electrical safety

---

- 1. Power tool plugs must match the outlet. Never modify the plug in any way. Do not use any adapter plugs with grounded power tools.** *Unmodified plugs and matching outlets will reduce risk of electric shock.*
- 2. Avoid body contact with grounded surfaces such as pipes, radiators, ranges and refrigerators.** *There is an increased risk of electric shock if your body is grounded.*
- 3. Do not expose power tools to rain or wet conditions.** *Water entering a power tool will increase the risk of electric shock.*
- 4. Do not abuse the cord. Never use the cord for carrying, pulling or unplugging the power tool. Keep cord away from heat, oil, sharp edges or moving parts.** *Damaged or entangled cords increase the risk of electric shock.*
- 5. When operating a power tool outdoors, use an extension cord suitable for outdoor use.** *Use of a cord suitable for outdoor use reduces the risk of electric shock.*
- 6. If operating a power tool in a damp location is unavoidable, use a Ground Fault Circuit Interrupter (GFCI) protected supply.** *Use of a GFCI reduces the risk of electric shock.*

## Personal safety

---

- 1. Stay alert, watch what you are doing and use common sense when operating a power tool. Do not use a power tool while you are tired or under the influence of drugs, alcohol or medication.** *A moment of inattention while operating power tools may result in serious personal injury.*
- 2. Use personal protective equipment. Always wear eye protection.** *Safety equipment such as dust mask, non-skid safety shoes, hard hat, or hearing protection used for appropriate conditions will reduce personal injuries.*
- 3. Prevent unintentional starting. Ensure the switch is in the off-position before connecting to power source, picking up or carrying the tool.** *Carrying power tools with your finger on the switch or energizing power tools that have the switch on invites accidents.*
- 4. Remove any adjusting key or wrench before turning the power tool on.** *A wrench or a key left attached to a rotating part of the power tool may result in personal injury.*
- 5. Do not overreach. Keep proper footing and balance at all times.** *This enables better control of the power tool in unexpected situations.*
- 6. Dress properly. Do not wear loose clothing or jewelry. Keep your hair, clothing and gloves away from moving parts.** *Loose clothes, jewelry or long hair can be caught in moving parts.*
- 7. If devices are provided for the connection of dust extraction and collection facilities, ensure these are connected and properly used.** *Use of these devices can reduce dust-related hazards.*
- 8. Only use safety equipment that has been approved by an appropriate standards agency.** *Unapproved safety equipment may not provide adequate protection. Eye protection must be ANSI-approved and breathing protection must be NIOSH-approved for the specific hazards in the work area.*

## Power tool use and care

- 1. Do not force the power tool. Use the correct power tool for your application.**  
*The correct power tool will do the job better and safer at the rate for which it was designed.*
- 2. Do not use the power tool if the switch does not turn it on and off.**  
*Any power tool that cannot be controlled with the switch is dangerous and must be repaired.*
- 3. Disconnect the plug from the power source before making any adjustments, changing accessories, or storing power tools.**  
*Such preventive safety measures reduce the risk of starting the power tool accidentally.*
- 4. Store idle power tools out of the reach of children and do not allow persons unfamiliar with the power tool or these instructions to operate the power tool. Power tools are dangerous in the hands of untrained users.**
- 5. Maintain power tools. Check for misalignment or binding of moving parts, breakage of parts and any other condition that may affect the power tool's operation. If damaged, have the power tool repaired before use. Many accidents are caused by poorly maintained power tools.**
- 6. Keep cutting tools sharp and clean. Properly maintained cutting tools with sharp cutting edges are less likely to bind and are easier to control.**
- 7. Use the power tool, accessories and tool bits etc. in accordance with these instructions, taking into account the working conditions and the work to be performed. Use of the power tool for operations different from those intended could result in a hazardous situation.**

## Service

Have your power tool serviced by a qualified repair person using only identical replacement parts. This will ensure that the safety of the power tool is maintained.

## Rotary Hammer Safety Warnings

- 1. Wear ear protectors with rotary hammers.**  
*Exposure to noise can cause hearing loss.*
- 2. Use auxiliary handles supplied with the tool.**  
*Loss of control can cause personal injury.*
- 3. Hold power tools by insulated gripping surfaces when performing an operation where the cutting tool may contact hidden wiring or its own cord. Contact with a "live" wire will make exposed metal parts of the tool "live" and shock the operator.**
- 4. Let bit cool before touching, changing or adjusting it.** Bits heat up dramatically while in use, and can burn you.
- 5. If the drill bit jams, release the trigger immediately; drill torque can cause injury or break bit.**
- 6. Maintain labels and nameplates on the tool. These carry important safety information.**  
If unreadable or missing, contact Harbor Freight Tools for a replacement.
- 7. Avoid unintentional starting.**  
Prepare to begin work before turning on the tool.
- 8. Do not lay the tool down until it has come to a complete stop.** Moving parts can grab the surface and pull the tool out of your control.
- 9. When using a handheld power tool, maintain a firm grip on the tool with both hands to resist starting torque.**
- 10. Do not leave the tool unattended when it is plugged into an electrical outlet.** Turn off the tool, and unplug it from its electrical outlet before leaving.
- 11. This product is not a toy.**  
Keep it out of reach of children.
- 12. People with pacemakers should consult their physician(s) before use.** Electromagnetic fields in close proximity to heart pacemaker could cause pacemaker interference or pacemaker failure. In addition, people with pacemakers should:
  - Avoid operating alone.
  - Do not use with power switch locked on.
  - Properly maintain and inspect to avoid electrical shock.
  - Any power cord must be properly grounded. Ground Fault Circuit Interrupter (GFCI) should also be implemented – it prevents sustained electrical shock.

## Rotary Hammer Safety Warnings (cont.)

13. **WARNING:** Some dust created by power sanding, sawing, grinding, drilling, and other construction activities, contains chemicals known to the State of California to cause cancer and birth defects or other reproductive harm. Some examples of these chemicals are:

- Lead from lead-based paints
- Crystalline silica from bricks and cement or other masonry products
- Arsenic and chromium from chemically treated lumber

Your risk from these exposures varies, depending on how often you do this type of work. To reduce your exposure to these chemicals: work in a well ventilated area, and work with approved safety equipment, such as those dust masks that are specially designed to filter out microscopic particles. (California Health & Safety Code § 25249.5, *et seq.*)

14. **WARNING:** The cord of this product contains lead, a chemical known to the State of California to cause cancer, and birth defects or other reproductive harm. Wash hands after handling. (California Health & Safety Code § 25249.5, *et seq.*)

15. **The warnings, precautions, and instructions discussed in this instruction manual cannot cover all possible conditions and situations that may occur.** It must be understood by the operator that common sense and caution are factors which cannot be built into this product, but must be supplied by the operator.

## Vibration Safety

### **This tool vibrates during use.**

Repeated or long-term exposure to vibration may cause temporary or permanent physical injury, particularly to the hands, arms and shoulders. To reduce the risk of vibration-related injury:

1. **Anyone using vibrating tools regularly or for an extended period should first be examined by a doctor and then have regular medical check-ups to ensure medical problems are not being caused or worsened from use.** Pregnant women or people who have impaired blood circulation to the hand, past hand injuries, nervous system disorders, diabetes, or Raynaud's Disease should not use this tool. If you feel any symptoms related to vibration (such as tingling, numbness, and white or blue fingers), seek medical advice as soon as possible.
2. **Do not smoke during use.** Nicotine reduces the blood supply to the hands and fingers, increasing the risk of vibration-related injury.
3. **Wear suitable gloves to reduce the vibration effects on the user.**
4. **Use tools with the lowest vibration when there is a choice.**
5. **Include vibration-free periods each day of work.**
6. **Grip tool as lightly as possible (while still keeping safe control of it). Let the tool do the work.**
7. **To reduce vibration, maintain the tool as explained in this manual.** If any abnormal vibration occurs, stop use immediately.



**SAVE THESE INSTRUCTIONS.**

**CHICAGO  ELECTRIC®  
POWER TOOLS**

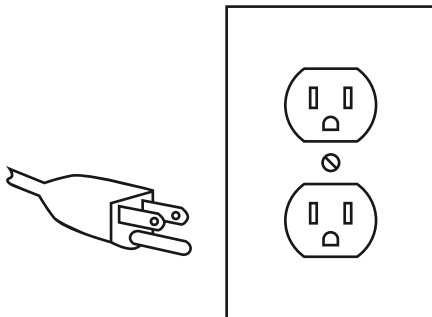
## ⚠️ WARNING



**TO PREVENT ELECTRIC SHOCK AND DEATH FROM INCORRECT GROUNDING WIRE CONNECTION:**

Check with a qualified electrician if you are in doubt as to whether the outlet is properly grounded. Do not modify the power cord plug provided with the tool. Never remove the grounding prong from the plug. Do not use the tool if the power cord or plug is damaged. If damaged, have it repaired by a service facility before use. If the plug will not fit the outlet, have a proper outlet installed by a qualified electrician.

## Grounded Tools: Tools with Three Prong Plugs

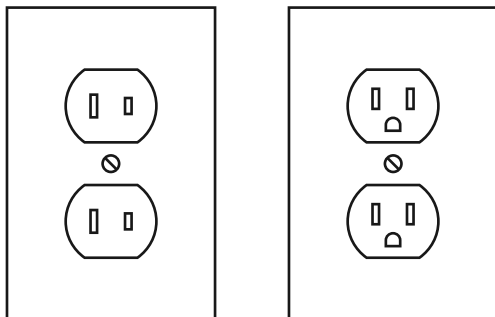


**3-Prong Plug and Outlet**

1. Tools marked with "Grounding Required" have a three wire cord and three prong grounding plug. The plug must be connected to a properly grounded outlet. If the tool should electrically malfunction or break down, grounding provides a low resistance path to carry electricity away from the user, reducing the risk of electric shock. (See 3-Prong Plug and Outlet.)

2. The grounding prong in the plug is connected through the green wire inside the cord to the grounding system in the tool. The green wire in the cord must be the only wire connected to the tool's grounding system and must never be attached to an electrically "live" terminal. (See 3-Prong Plug and Outlet.)
3. The tool must be plugged into an appropriate outlet, properly installed and grounded in accordance with all codes and ordinances. The plug and outlet should look like those in the preceding illustration. (See 3-Prong Plug and Outlet.)

## Double Insulated Tools: Tools with Two Prong Plugs



**Outlets for 2-Prong Plug**

1. Tools marked "Double Insulated" do not require grounding. They have a special double insulation system which satisfies OSHA requirements and complies with the applicable standards of Underwriters Laboratories, Inc., the Canadian Standard Association, and the National Electrical Code.
2. Double insulated tools may be used in either of the 120 volt outlets shown in the preceding illustration. (See Outlets for 2-Prong Plug.)

# Extension Cords

1. **Grounded** tools require a three wire extension cord. **Double Insulated** tools can use either a two or three wire extension cord.
2. As the distance from the supply outlet increases, you must use a heavier gauge extension cord. Using extension cords with inadequately sized wire causes a serious drop in voltage, resulting in loss of power and possible tool damage. (See Table A on page 7.)
3. The smaller the gauge number of the wire, the greater the capacity of the cord. For example, a 14 gauge cord can carry a higher current than a 16 gauge cord. (See Table A.)
4. When using more than one extension cord to make up the total length, make sure each cord contains at least the minimum wire size required. (See Table A.)
5. If you are using one extension cord for more than one tool, add the nameplate amperes and use the sum to determine the required minimum cord size. (See Table A.)
6. If you are using an extension cord outdoors, make sure it is marked with the suffix "W-A" ("W" in Canada) to indicate it is acceptable for outdoor use.

7. Make sure the extension cord is properly wired and in good electrical condition. Always replace a damaged extension cord or have it repaired by a qualified electrician before using it.
8. Protect the extension cords from sharp objects, excessive heat, and damp or wet areas.

NAMEPLATE AMPERES (at full load)	EXTENSION CORD LENGTH				
	25'	50'	75'	100'	150'
0 – 2.0	18	18	18	18	16
2.1 – 3.4	18	18	18	16	14
3.5 – 5.0	18	18	16	14	12
5.1 – 7.0	18	16	14	12	12
7.1 – 12.0	18	14	12	10	-
12.1 – 16.0	14	12	10	-	-
16.1 – 20.0	12	10	-	-	-

\* Based on limiting the line voltage drop to five volts at 150% of the rated amperes.

## Symbology

	Double Insulated
	Canadian Standards Association
	Underwriters Laboratories, Inc.
<b>VAC</b>	Volts Alternating Current
<b>A</b>	Amperes
n <sub>0</sub> xxxx/min.	No Load Revolutions per Minute (RPM)

	WARNING marking concerning Risk of Eye Injury. Wear ANSI-approved safety goggles with side shields.
	Read the manual before set-up and/or use.
	WARNING marking concerning Risk of Hearing Loss. Wear hearing protection.
	WARNING marking concerning Risk of Fire. Do not cover ventilation ducts. Keep flammable objects away.
	WARNING marking concerning Risk of Electric Shock. Properly connect power cord to appropriate outlet.

## Specifications

Electrical Rating	120VAC / 60Hz / 10.5A
Rotational Speed	0-500 RPM
Impact Rate	0-3780 BPM
Wood Capacity	1-5/8" (41 mm)
Concrete Capacity	1-9/16" (40 mm)
Steel Capacity	1/2" (13 mm)
Shank Style	SDS Max Type

**Note:** This tool includes an internal safety clutch that helps prevent tool damage by disengaging the drill function if the bit locks in place.



## Setup - Before Use:



Read the **ENTIRE IMPORTANT SAFETY INFORMATION** section at the beginning of this manual including all text under subheadings therein before set up or use of this product.

**Note:** For additional information regarding the parts listed in the following pages, refer to *Parts List and Diagram* on page 14.

## Functions

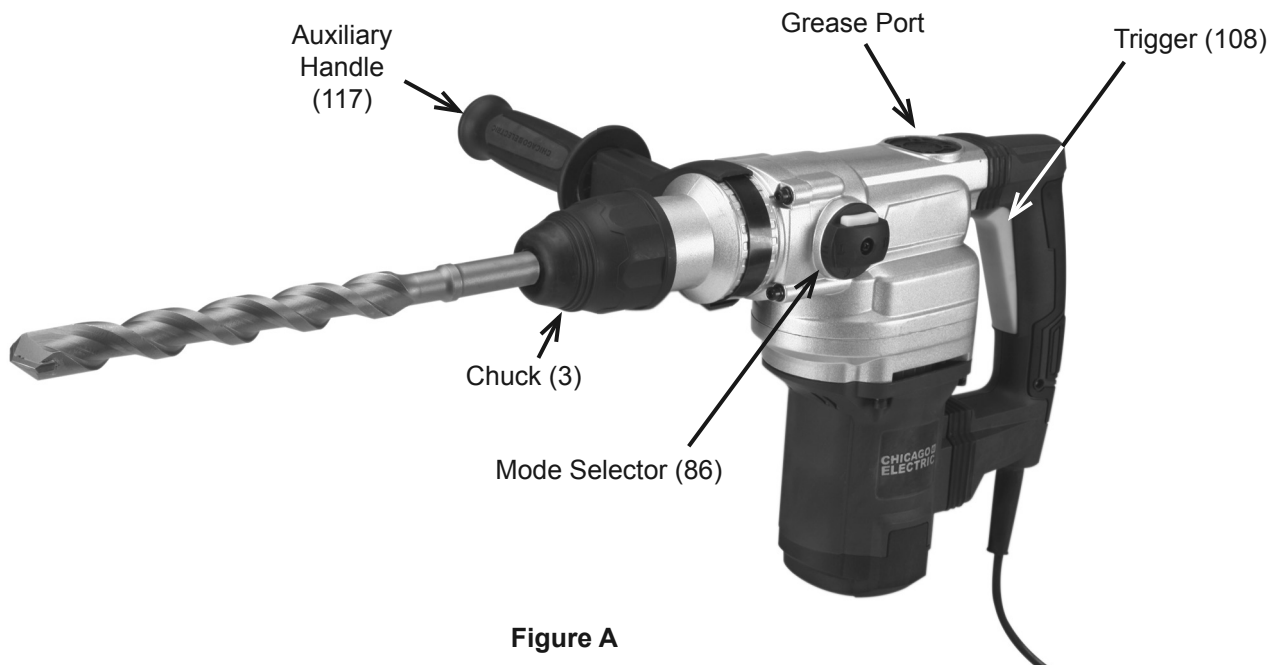


Figure A



## Operating Instructions



Read the **ENTIRE IMPORTANT SAFETY INFORMATION** section at the beginning of this manual including all text under subheadings therein before set up or use of this product.

## Tool Set Up

### **WARNING**

**TO PREVENT SERIOUS INJURY FROM ACCIDENTAL OPERATION:**

Release the Trigger and unplug the tool from its electrical outlet before adjusting the tool or installing accessories.

### Adjusting the Auxiliary Handle

The Auxiliary Handle can be placed in a variety of positions.

To adjust the Auxiliary Handle, turn the Handle counterclockwise to loosen the band. Slide the Handle to the desired position then turn the Handle clockwise to secure it in place.

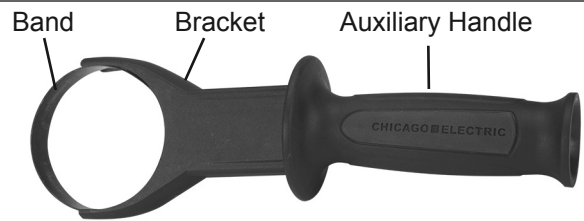


Figure B

### Adjusting the Functions

Adjust the Mode Selector to the desired function before using the Rotary Hammer. Press the Release Button and rotate the Mode Selector until it clicks in place with the desired function at the Indicator.

**CAUTION:** Move the Mode Selector only when the Motor is stopped. Attempting to move the Mode Selector while the Motor is engaged will result in abrupt bit rotation and can cause property damage.

**CAUTION:** When moving the Mode Selector, make sure it clicks into the desired position. If not actively engaged, the Mode Selector could slip out of position resulting in tool damage.

**To Hammer/Drill:** Rotate the Mode Selector to the Hammer/Drill setting. The Rotary Hammer will revolve and hammer when powered.

**To Chisel:** Rotate the Mode Selector to the Hammer Setting. The Rotary Hammer will hammer when powered.

**To Adjust Chisel Angle:** Rotate the Mode Selector to the Adjust Chisel Setting. You can now rotate the bit to the desired angle for chiseling. When finished adjusting the bit, rotate the Mode Selector to the Hammer Setting to begin chiseling.

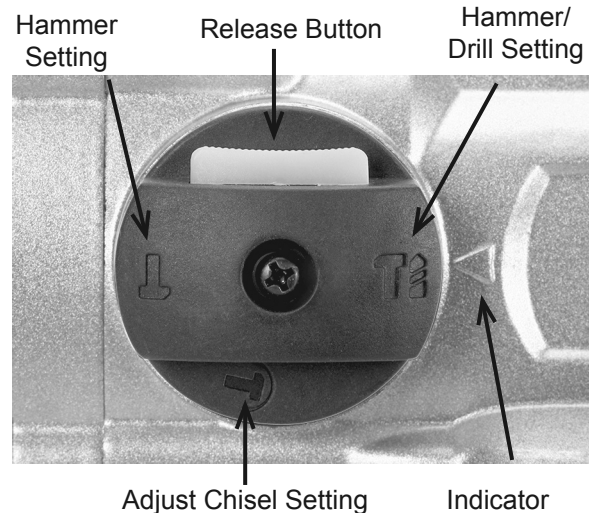


Figure C

## Work Piece and Work Area Set Up

1. Designate a work area that is clean and well-lit. The work area must not allow access by children or pets to prevent distraction and injury.
2. Route the power cord along a safe route to reach the work area without creating a tripping hazard or exposing the power cord to possible damage. The power cord must reach the work area with enough extra length to allow free movement while working.
3. Secure loose work pieces using a vise or clamps (not included) to prevent movement while working.
4. There must not be objects, such as utility lines, nearby that will present a hazard while working.

# Masonry Drilling

## Changing Drill Bits

**CAUTION!** Wear heavy-duty work gloves to provide protection when inserting and removing drill bits. Drill bits become very hot during use. Do not remove drill bits until the bit has cooled. Do not strike stuck bits with a hammer.

1. Grease the drill bit shank before installing.
2. Pull back on the Chuck and insert the drill bit. Make sure it slides all the way into the opening.

3. Release the Chuck.
4. Check that the drill bit is secured in place. It should not be able to be pulled out of the Chuck.

**Note:** When drilling a hole larger than 1-1/4" diameter, use a drill bit with four cutting edges.

## Hammer Drill Operation

1. Adjust the Auxiliary Handle as needed.
2. Set the Function by adjusting the Mode Selector to the desired setting.
3. Plug in the Power Cord.
4. Squeeze and hold the Trigger to turn on the Rotary Hammer.
5. Do not apply excessive force. allow the tool to do the work..
6. When finished, to prevent accidents, release the Trigger and disconnect its power supply after use. Allow the bit to cool then pull back on the Chuck and remove the bit from the Chuck and wipe off the bit's shank. Clean the tool, then store the tool indoors out of children's reach.

## Concrete Drilling Tips

1. Do not add water to the drill hole.
2. Clean the bit flutes regularly while drilling.
3. Back the bit out of the hole often during drilling, especially when drilling deep holes.
4. Grease the bit shank and bit holder and keep the shank end of the bit dust and debris free.
5. Use the shortest bit practical.
6. When drilling deep holes, work in stages, use a short bit for the beginning of the hole, then change to a longer bit.

**CHICAGO  ELECTRIC®  
POWER TOOLS**

# Chiseling

---

## Changing Chisel Bits

---

1. Grease the bit shank before installing.
2. Pull back on the Chuck and insert the Bit. Make sure it slides all the way into the opening.
3. Release the Chuck.
4. Rotate the Mode Selector so the Adjust Chisel Setting is in the ON position. Rotate the bit to the desired angle then rotate the Mode selector to the Hammer setting.
5. Check that the bit is secured in place. It should not be able to be pulled out of the Chuck.

## Chisel Operation

---

1. Adjust the Auxiliary Handle as needed.
2. Plug in the Power Cord.
3. Squeeze and hold the Trigger to turn on the Rotary Hammer.
4. Allow the Rotary Hammer to reach full speed before contacting the work surface.
5. When finished, to prevent accidents, release the Trigger and disconnect its power supply after use. Pull back on the Chuck then remove the bit from the Chuck. Clean, then store the tool indoors out of children's reach.

**CHICAGO**  **ELECTRIC**<sup>®</sup>  
**POWER TOOLS**

## Maintenance and Servicing



Procedures not specifically explained in this manual must be performed only by a qualified technician.

### **WARNING**

**TO PREVENT SERIOUS INJURY FROM ACCIDENTAL OPERATION:**  
Release the Trigger and unplug the tool from its electrical outlet before performing any inspection, maintenance, or cleaning procedures.

**TO PREVENT SERIOUS INJURY FROM TOOL FAILURE:**  
Do not use damaged equipment. If abnormal noise or vibration occurs, have the problem corrected before further use.

## Cleaning, Maintenance, and Lubrication

1. **BEFORE EACH USE**, inspect the general condition of the tool. Check for loose hardware, misalignment or binding of moving parts, cracked or broken parts, damaged electrical wiring, and any other condition that may affect its safe operation.
2. Monthly, open the Grease Port, clean out old grease, and replace with new grease.
3. **AFTER USE**, wipe external surfaces of the tool with clean cloth.
4. Lubricate the bit shank with grease each time before installing to maintain the life of the internal mechanism.
5. **WARNING!** If the supply cord of this power tool is damaged, it must be replaced only by a qualified service technician.

Grease Port Cover



Figure D: Grease Port

**NOTICE:** Warranty void if grease maintenance (internal and bit shank) is not followed.

# Troubleshooting

Problem	Possible Causes	Likely Solutions
Tool will not start.	<ol style="list-style-type: none"> <li>1. Cord not connected.</li> <li>2. No power at outlet.</li> <li>3. Tool's thermal reset breaker tripped (if equipped).</li> <li>4. Internal damage or wear. (Carbon brushes or switch, for example.)</li> </ol>	<ol style="list-style-type: none"> <li>1. Check that cord is plugged in.</li> <li>2. Check power at outlet. If outlet is unpowered, turn off tool and check circuit breaker. If breaker is tripped, make sure circuit is right capacity for tool and circuit has no other loads.</li> <li>3. Turn off tool and allow to cool. Press reset button on tool.</li> <li>4. Have technician service tool.</li> </ol>
Tool operates slowly.	Extension cord too long or cord diameter too small.	Eliminate use of extension cord. If an extension cord is needed, use one with the proper diameter for its length and load. See <i>Extension Cords</i> in <i>Grounding</i> section on page 6.
Performance decreases over time.	<ol style="list-style-type: none"> <li>1. Accessory dull or damaged.</li> <li>2. Carbon brushes worn or damaged.</li> </ol>	<ol style="list-style-type: none"> <li>1. Keep cutting accessories sharp. Replace as needed.</li> <li>2. Have qualified technician replace brushes.</li> </ol>
Excessive noise or rattling.	Internal damage or wear. (Carbon brushes or bearings, for example.)	Have technician service tool.
Overheating.	<ol style="list-style-type: none"> <li>1. Forcing tool to work too fast.</li> <li>2. Accessory misaligned.</li> <li>3. Accessory dull or damaged.</li> <li>4. Blocked motor housing vents.</li> <li>5. Motor being strained by long or small diameter extension cord.</li> </ol>	<ol style="list-style-type: none"> <li>1. Allow tool to work at its own rate.</li> <li>2. Check and correct accessory alignment.</li> <li>3. Keep cutting accessories sharp. Replace as needed.</li> <li>4. Wear ANSI-approved safety goggles and NIOSH-approved dust mask/respirator while blowing dust out of motor using compressed air.</li> <li>5. Eliminate use of extension cord. If an extension cord is needed, use one with the proper diameter for its length and load. See <i>Extension Cords</i> in <i>Grounding</i> section on page 6.</li> </ol>



**Follow all safety precautions whenever diagnosing or servicing the tool. Disconnect power supply before service.**

## PLEASE READ THE FOLLOWING CAREFULLY

THE MANUFACTURER AND/OR DISTRIBUTOR HAS PROVIDED THE PARTS LIST AND ASSEMBLY DIAGRAM IN THIS MANUAL AS A REFERENCE TOOL ONLY. NEITHER THE MANUFACTURER OR DISTRIBUTOR MAKES ANY REPRESENTATION OR WARRANTY OF ANY KIND TO THE BUYER THAT HE OR SHE IS QUALIFIED TO MAKE ANY REPAIRS TO THE PRODUCT, OR THAT HE OR SHE IS QUALIFIED TO REPLACE ANY PARTS OF THE PRODUCT. IN FACT, THE MANUFACTURER AND/OR DISTRIBUTOR EXPRESSLY STATES THAT ALL REPAIRS AND PARTS REPLACEMENTS SHOULD BE UNDERTAKEN BY CERTIFIED AND LICENSED TECHNICIANS, AND NOT BY THE BUYER. THE BUYER ASSUMES ALL RISK AND LIABILITY ARISING OUT OF HIS OR HER REPAIRS TO THE ORIGINAL PRODUCT OR REPLACEMENT PARTS THERETO, OR ARISING OUT OF HIS OR HER INSTALLATION OF REPLACEMENT PARTS THERETO.

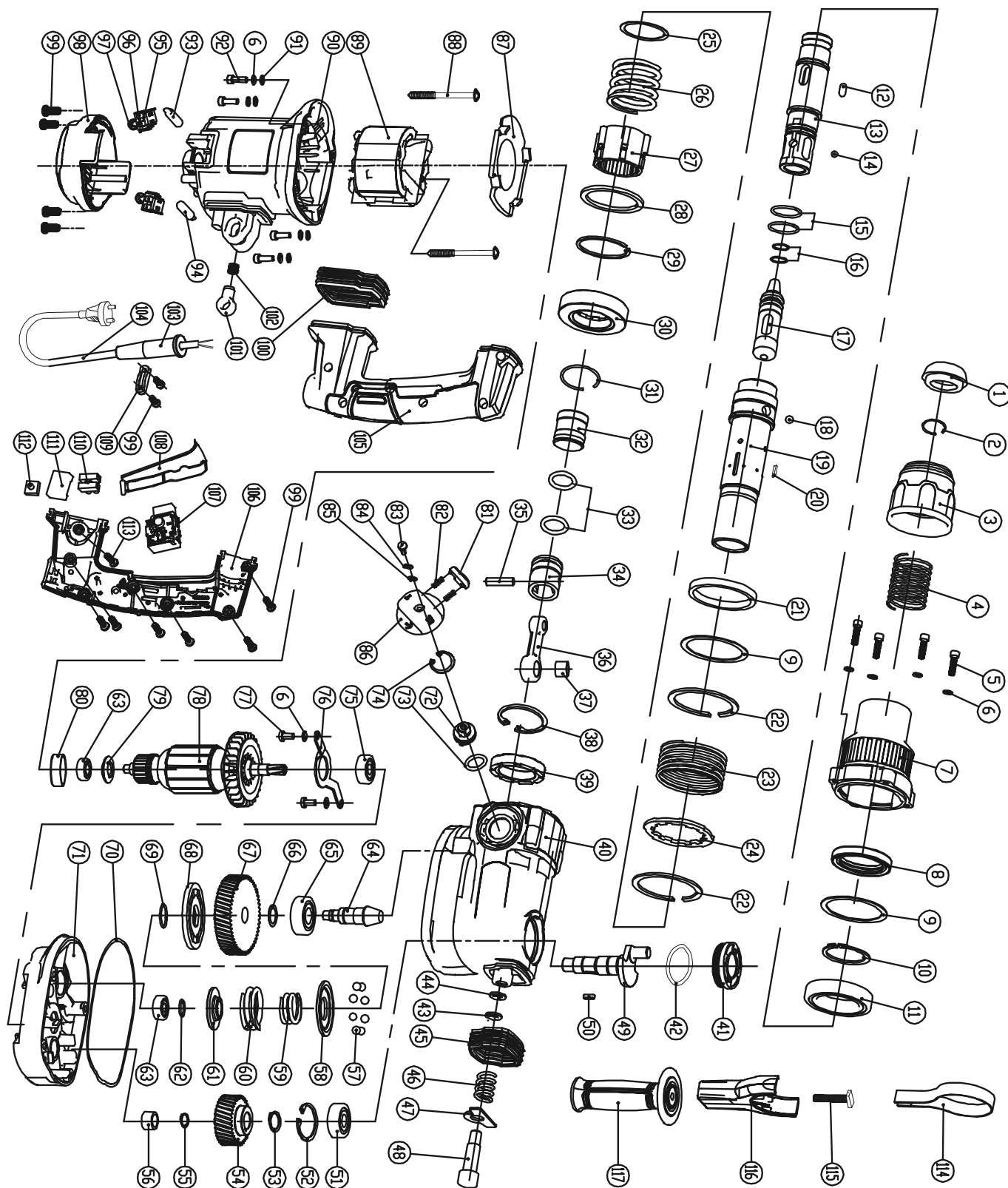
## Parts List and Diagram

### Parts List

Part	Description	Qty
1	Front Cover	1
2	Clip Ring	1
3	Chuck	1
4	Steel Ball Rack Spring	1
5	Screw	4
6	Spring Washer	10
7	Front Housing	1
8	Oil Seal	1
9	Washer	2
10	Clip Ring	1
11	Bearing	1
12	Pulley	3
13	Rotary Sleeve	1
14	Steel Ball	3
15	O-Ring	2
16	O-Ring	2
17	Impact Hammer	1
18	Steel Ball	3
19	Cylinder	1
20	Flat Key	2
21	Rubber Ring	1
22	Circlip	2
23	Clutch Spring	1
24	Clutch Block	1
25	Plate	1
26	Spring	1
27	Clutch	1
28	Clutch Washer	1
29	Washer	1
30	O-Ring	1
31	Circlip	1
32	Pneumatic Hammer	1
33	O-Ring	2
34	Piston	1
35	Piston Pin	1
36	Rod	1
37	Needle Bearing	1
38	Circlip	1
39	Bearing	1
40	Gear Box	1
41	Cap	1
42	O-Ring	1
43	Flat Washer	1
44	Spring Washer	1
45	Upper Damper Sleeve	1
46	Damping Spring	1
47	Damping Plate	1
48	Damping Screw	1
49	Eccentric Shaft	1
50	Flat Key	2
51	Bearing	1
52	Circlip	1
53	Circlip	1
54	First Gear	1
55	Circlip	1
56	Needle Bearing	1
57	Steel Ball	8
58	Active Plate	1
59	Inner Spring	1

Part	Description	Qty
60	Outer Spring	1
61	Spring Holder	1
62	Circlip	1
63	Bearing	2
64	Pinion	1
65	Bearing	1
66	Pinion Bearing Plate	1
67	Second Gear	1
68	Fix Block	1
69	Circlip	1
70	Intermediate Cover Plate	1
71	Intermediate Cover	1
72	Handle Knob	1
73	O-Ring	1
74	Circlip	1
75	Bearing	1
76	Bearing Clamp	1
77	Screw	2
78	Armature	1
79	Fan Guide	1
80	Bearing Cover	1
81	Release Button	1
82	Button Spring	2
83	Screw	1
84	Spring Plate	1
85	Plate	1
86	Mode Selector	1
87	Guide Ring	1
88	Screw	2
89	Stator	1
90	Housing	1
91	Washer	4
92	Screw	4
93	Long Inductance	1
94	Short Inductance	1
95	Carbon Brush Holder	2
96	Carbon Brush	2
97	Spring	2
98	Bottom Cover	1
99	Screw	12
100	Lower Damper Sleeve	1
101	Spring Holder	1
102	Damping Spring	1
103	Cord Protector	1
104	Power Cord	1
105	Left Handle	1
106	Right Handle	1
107	Switch	1
108	Trigger	1
109	Cable Clamp	1
110	Binding Post	2
111	Capacitor	1
112	Light	1
113	Screw	1
114	Band	1
115	T-Screw	1
116	Side Handle Holder	1
117	Auxiliary Handle	1

# Assembly Diagram



Record Product's Serial Number Here: \_\_\_\_\_

**Note:** If product has no serial number, record month and year of purchase instead.

**Note:** Some parts are listed and shown for illustration purposes only, and are not available individually as replacement parts.

## Limited 90 Day Warranty

Harbor Freight Tools Co. makes every effort to assure that its products meet high quality and durability standards, and warrants to the original purchaser that this product is free from defects in materials and workmanship for the period of 90 days from the date of purchase. This warranty does not apply to damage due directly or indirectly, to misuse, abuse, negligence or accidents, repairs or alterations outside our facilities, criminal activity, improper installation, normal wear and tear, or to lack of maintenance. We shall in no event be liable for death, injuries to persons or property, or for incidental, contingent, special or consequential damages arising from the use of our product. Some states do not allow the exclusion or limitation of incidental or consequential damages, so the above limitation of exclusion may not apply to you. THIS WARRANTY IS EXPRESSLY IN LIEU OF ALL OTHER WARRANTIES, EXPRESS OR IMPLIED, INCLUDING THE WARRANTIES OF MERCHANTABILITY AND FITNESS.

To take advantage of this warranty, the product or part must be returned to us with transportation charges prepaid. Proof of purchase date and an explanation of the complaint must accompany the merchandise. If our inspection verifies the defect, we will either repair or replace the product at our election or we may elect to refund the purchase price if we cannot readily and quickly provide you with a replacement. We will return repaired products at our expense, but if we determine there is no defect, or that the defect resulted from causes not within the scope of our warranty, then you must bear the cost of returning the product.

This warranty gives you specific legal rights and you may also have other rights which vary from state to state.

**CHICAGO  ELECTRIC<sup>®</sup>**  
**POWER TOOLS**

3491 Mission Oaks Blvd. • PO Box 6009 • Camarillo, CA 93011 • 1-888-866-5797



## Free Manuals Download Website

<http://myh66.com>

<http://usermanuals.us>

<http://www.somanuals.com>

<http://www.4manuals.cc>

<http://www.manual-lib.com>

<http://www.404manual.com>

<http://www.luxmanual.com>

<http://aubethermostatmanual.com>

Golf course search by state

<http://golfingnear.com>

Email search by domain

<http://emailbydomain.com>

Auto manuals search

<http://auto.somanuals.com>

TV manuals search

<http://tv.somanuals.com>