

# TREE PRUNER



**Model 09712**

## ASSEMBLY AND OPERATING INSTRUCTIONS



Visit our Web site at <http://www.harborfreight.com>

Copyright© 2004 by Harbor Freight Tools®. All rights reserved. No portion of this manual or any artwork contained herein may be reproduced in any shape or form without the express written consent of Harbor Freight Tools. Diagrams within this manual may not be drawn proportionally. Due to continuing improvements, actual product may differ slightly from the product described herein. Tools required for assembly and service may not be included.

**For technical questions and replacement parts, please call 1-800-444-3353.**

### Specifications

Blade Dimensions	0.041" Thick x 12" Long / 6 Teeth Per Inch
Jaw Dimensions	1-1/2" Diameter Lopper Cutting Capacity
Throat Depth	2-1/4"
Rope Length	110-1/2"
Pole Dimensions	53-5/8" c 1-3/32"
Tool Weight	4.52 Lbs.

### Save This Manual

You will need the manual for the safety warnings and precautions, assembly instructions, operating and maintenance procedures, parts list and diagram. Keep your invoice with this manual. Write the invoice number on the inside of the front cover. Keep the manual and invoice in a safe and dry place for future reference.

### Safety Warnings and Precautions

**WARNING: When using tool, basic safety precautions should always be followed to reduce the risk of personal injury and damage to equipment.**

**Read all instructions before using this tool!**

## Safety Warnings and Precautions (continued)

1. **Keep work area clean.** Cluttered areas invite injuries.
2. **Observe work area conditions.** Do not use the Pruner in damp or wet locations. Don't expose to rain. Keep work area well lighted.
3. **Keep children away.** Children must never be allowed in the work area. Do not let them handle the Pruner.
4. **Store idle equipment.** When not in use, tools must be stored in a dry location to inhibit rust. Always lock up tools and keep out of reach of children.
5. **Use the right tool for the job.** Do not attempt to force a small tool to do the work of a larger industrial tool. There are certain applications for which this tool was designed. It will do the job better and more safely at the rate for which it was intended. Do not modify this tool and do not use this tool for a purpose for which it was not intended.
6. **Dress properly.** Do not wear loose clothing or jewelry as they can be caught in moving parts. Protective, electrically non-conductive clothes and non-skid footwear are recommended when working. Wear restrictive hair covering to contain long hair.
7. **Use eye protection.** Always wear ANSI approved impact safety goggles and a full face shield to protect you from falling branches.
8. **Do not overreach.** Keep proper footing and balance at all times.
9. **Maintain tools with care.** Keep tools sharp and clean for better and safer performance. Follow instructions for lubricating and changing accessories. Inspect tool ropes periodically and, if damaged, have them replaced by an authorized technician. The handle must be kept clean, dry, and free from oil and grease at all times.
10. **Stay alert.** Watch what you are doing, use common sense. Do not operate any tool when you are tired.
11. **Take caution as some woods contain preservatives such as copper chromium arsenate (CCA) which can be toxic.** When cutting these materials extra care should be taken to avoid inhalation and minimize skin contact.
12. **Check for damaged parts.** Before using any tool, any part that appears damaged should be carefully checked to determine that it will operate properly and perform its intended function. Check for alignment and binding of moving parts; any broken parts or mounting fixtures; and any other condition that may affect proper operation. Any part that is damaged should be properly repaired or replaced by a qualified technician.
13. **Replacement parts and accessories.** When servicing, use only identical replacement parts. Use of any other parts will void the warranty. Only use accessories intended for use with this tool. Approved accessories are available from Harbor Freight Tools.
14. **Do not operate tool if under the influence of alcohol or drugs.** Read warning labels if taking prescription medicine to determine if your judgment or reflexes are impaired while taking drugs. If there is any doubt, do not operate the Pruner.
15. **Maintenance.** For your safety, service and maintenance should be performed regularly by a qualified technician.
16. **Use tools with both hands when required.** Pruners require the use of both hands when operating. This helps maintain tool stability and keeps hands away from the working area of the tool.
17. **Cutting blade is extremely sharp.** The **Pruner Blade (#2)** will cut through whatever is in its jaws. Keep hands clear of cutting jaws.
18. **Check surrounding area.** Before cutting, check that no overhead wires are within reach of the pruner. Check that the area where the cut branches will fall to the ground is clear of pets, bystanders, and any breakable objects.

**Warning:** The warnings, cautions, and instructions discussed in this instruction manual cannot cover all possible conditions and situations that may occur. It must be understood by the operator that common sense and caution are factors which cannot be built into this product, but must be supplied by the operator.

**Assembly:** The only assembly required is mounting the **Saw Blade (#5)** to the **Base (#1)**. Line up the tab on the blade so that it fits in the small hole on the base making sure that the larger hole on the blade lines up with the larger hole on the **Base (#1)**. Insert the **Bolt (#19)** and a **Washer (#17)** through the **Saw Blade (#5)** and the **Base (#1)**. Secure it with the **Wing Nut (#20)**. See the Assembly Drawing on page 4 and **FIGURE 1** below.

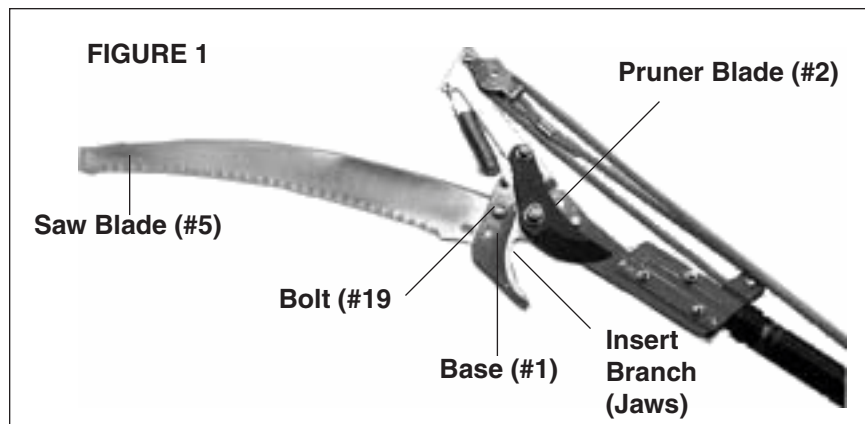
### Operation

1. On the Handle, twist the **Lock Ring (#10)** to loosen it and extend the telescoping handle to the desired length. Tighten the **Lock Ring (#10)**.

**Note:** After telescoping the Handle and before cutting, take up the slack in the rope and secure it around the Handle, out of your way.

2. When using the **Saw Blade (#5)**, make sure the blade is straight and not bending when cutting. Apply minimal pressure allowing the blade to do the work.

3. When using the **Pruner Blade (#2)**, position the end of the handle against your hip and hold the Handle with one hand as far up the Handle as possible. Once you situate the branch to be cut in the jaws (see **FIGURE 1**), pull on the rope to clamp the **Pruner Blade (#2)** shut, cutting the branch.



### Unpacking

When unpacking, check to make sure the parts listed on page 4 are included. If any parts are missing or broken, please call Harbor Freight Tools at the number on the cover of this manual as soon as possible

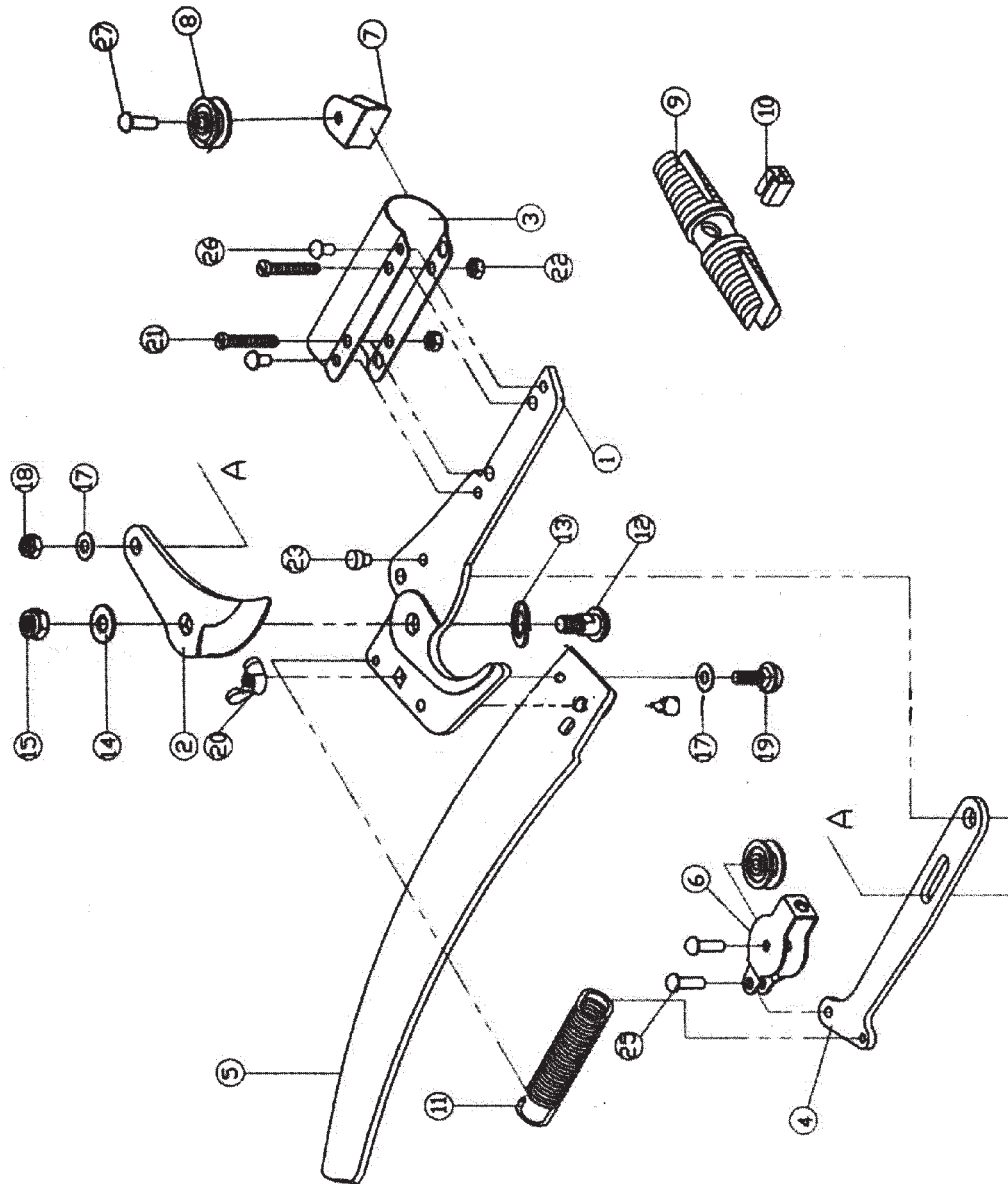
#### PLEASE READ THE FOLLOWING CAREFULLY

THE MANUFACTURER AND/OR DISTRIBUTOR HAS PROVIDED THE PARTS DIAGRAM IN THIS MANUAL AS A REFERENCE TOOL ONLY. NEITHER THE MANUFACTURER NOR DISTRIBUTOR MAKES ANY REPRESENTATION OR WARRANTY OF ANY KIND TO THE BUYER THAT HE OR SHE IS QUALIFIED TO MAKE ANY REPAIRS TO THE PRODUCT OR THAT HE OR SHE IS QUALIFIED TO REPLACE ANY PARTS OF THE PRODUCT. IN FACT, THE MANUFACTURER AND/OR DISTRIBUTOR EXPRESSLY STATES THAT ALL REPAIRS AND PARTS REPLACEMENTS SHOULD BE UNDERTAKEN BY CERTIFIED AND LICENSED TECHNICIANS AND NOT BY THE BUYER. THE BUYER ASSUMES ALL RISK AND LIABILITY ARISING OUT OF HIS OR HER REPAIRS TO THE ORIGINAL PRODUCT OR REPLACEMENT PARTS THERETO, OR ARISING OUT OF HIS OR HER INSTALLATION OF REPLACEMENT PARTS THERETO.

**NOTE:** Some parts are listed and shown for illustration purposes only and are not available individually as replacement parts.

## Parts List and Assembly Drawing

Part No.	Description	Qty	Part No.	Description	Qty
1	Base	1	15	Nylon Nut	1
2	Pruner Blade	1	16	Screw	1
3	Pole Socket	1	17	Washer	2
4	Pulling Base	1	18	Nylon Nut	1
5	Saw Blade	1	19	Mounting Bolt	1
6	Pulley Base (A)	1	20	Wing Nut	1
7	Pulley Base (B)	1	21	Screw	2
8	Pulley	2	22	Nut	2
9	Grip	1	23	Bolt	2
10	Lock Ring	1	24	Bolt	1
11	Spring	1	25	Bolt	1
12	Center Screw	1	26	Bolt	2
13	Spring Washer	1	27	Bolt	2
14	Washer	1			



## Free Manuals Download Website

<http://myh66.com>

<http://usermanuals.us>

<http://www.somanuals.com>

<http://www.4manuals.cc>

<http://www.manual-lib.com>

<http://www.404manual.com>

<http://www.luxmanual.com>

<http://aubethermostatmanual.com>

Golf course search by state

<http://golfingnear.com>

Email search by domain

<http://emailbydomain.com>

Auto manuals search

<http://auto.somanuals.com>

TV manuals search

<http://tv.somanuals.com>