

**CENTRAL MACHINERY**®

# 4" JOINTER PLANER

**Model 65673**

## SET UP AND OPERATING INSTRUCTIONS



Distributed exclusively by Harbor Freight Tools®.

3491 Mission Oaks Blvd., Camarillo, CA 93011

Visit our website at: <http://www.harborfreight.com>



**Read this material before using this product.  
Failure to do so can result in serious injury.  
SAVE THIS MANUAL.**

Copyright© 2008 by Harbor Freight Tools®. All rights reserved. No portion of this manual or any artwork contained herein may be reproduced in any shape or form without the express written consent of Harbor Freight Tools. Diagrams within this manual may not be drawn proportionally. Due to continuing improvements, actual product may differ slightly from the product described herein. Tools required for assembly and service may not be included.

**For technical questions or replacement parts, please call 1-800-444-3353.**

---

## SAVE THIS MANUAL

---

Keep this manual for the safety warnings and precautions, assembly, operating, inspection, maintenance and cleaning procedures. Write the product's serial number in the back of the manual near the assembly diagram (or month and year of purchase if product has no number). Keep this manual and the receipt in a safe and dry place for future reference.

---

## IMPORTANT SAFETY INFORMATION

---

In this manual, on the labeling, and all other information provided with this product:



This is the safety alert symbol. It is used to alert you to potential personal injury hazards. Obey all safety messages that follow this symbol to avoid possible injury or death.

### **DANGER**

**DANGER** indicates a hazardous

situation which, if not avoided, will result in death or serious injury.

### **WARNING**

**WARNING** indicates a

hazardous situation which, if not avoided, could result in death or serious injury.

### **CAUTION**

**CAUTION**, used with the safety

alert symbol, indicates a hazardous situation which, if not avoided, could result in minor or moderate injury.

### **NOTICE**

**NOTICE** is used to address practices not related to personal injury.

### **CAUTION**

**CAUTION**, without the safety alert symbol, is used to address practices not related to personal injury.

---

## General Power Tool Safety Warnings



**WARNING** Read all safety warnings and instructions.

*Failure to follow the warnings and instructions may result in electric shock, fire and/or serious injury.*

**Save all warnings and instructions for future reference.**

*The term "power tool" in the warnings refers to your mains-operated (corded) power tool or battery-operated (cordless) power tool.*

1. **Work area safety**
  - a. **Keep work area clean and well lit.**  
*Cluttered or dark areas invite accidents.*
  - b. **Do not operate power tools in explosive atmospheres, such as in the presence of flammable liquids, gases or dust.** *Power tools create sparks which may ignite the dust or fumes.*
  - c. **Keep children and bystanders away while operating a power tool.**  
*Distractions can cause you to lose control.*
2. **Electrical safety**
  - a. **Power tool plugs must match the outlet. Never modify the plug in any way. Do not use any adapter**

**plugs with grounded power tools.** *Unmodified plugs and matching outlets will reduce risk of electric shock.*

- b. Avoid body contact with grounded surfaces such as pipes, radiators, ranges and refrigerators.** *There is an increased risk of electric shock if your body is grounded.*
  - c. Do not expose power tools to rain or wet conditions.** *Water entering a power tool will increase the risk of electric shock.*
  - d. Do not abuse the cord. Never use the cord for carrying, pulling or unplugging the power tool. Keep cord away from heat, oil, sharp edges or moving parts.** *Damaged or entangled cords increase the risk of electric shock.*
  - e. When operating a power tool outdoors, use an extension cord suitable for outdoor use.** *Use of a cord suitable for outdoor use reduces the risk of electric shock.*
  - f. If operating a power tool in a damp location is unavoidable, use a Ground Fault Circuit Interrupter (GFCI) protected supply.** *Use of a GFCI reduces the risk of electric shock.*
- 3. Personal safety**
- a. Stay alert, watch what you are doing and use common sense when operating a power tool. Do not use a power tool while you are tired or under the influence of drugs, alcohol or medication.** *A moment of inattention while operating power tools may result in serious personal injury.*
  - b. Use personal protective equipment. Always wear eye protection.**
- Safety equipment such as dust mask, non-skid safety shoes, hard hat, or hearing protection used for appropriate conditions will reduce personal injuries.*
- c. Remove any adjusting key or wrench before turning the power tool on.** *A wrench or a key left attached to a rotating part of the power tool may result in personal injury.*
  - d. Do not overreach. Keep proper footing and balance at all times.** *This enables better control of the power tool in unexpected situations.*
  - e. Dress properly. Do not wear loose clothing or jewelry. Keep your hair, clothing and gloves away from moving parts.** *Loose clothes, jewelry or long hair can be caught in moving parts.*
  - f. If devices are provided for the connection of dust extraction and collection facilities, ensure these are connected and properly used.** *Use of these devices can reduce dust-related hazards.*
  - g. Only use safety equipment that has been approved by an appropriate standards agency.** *Unapproved safety equipment may not provide adequate protection. Eye protection must be ANSI-approved and breathing protection must be NIOSH-approved for the specific hazards in the work area.*
- 4. Power tool use and care**
- a. Do not force the power tool. Use the correct power tool for your application.** *The correct power tool will do the job better and safer at the rate for which it was designed.*

- b. **Do not use the power tool if the switch does not turn it on and off.** *Any power tool that cannot be controlled with the switch is dangerous and must be repaired.*
- c. **Disconnect the plug from the power source before making any adjustments, changing accessories, or storing power tools.** *Such preventive safety measures reduce the risk of starting the power tool accidentally.*
- d. **Store idle power tools out of the reach of children and do not allow persons unfamiliar with the power tool or these instructions to operate the power tool.** *Power tools are dangerous in the hands of untrained users.*
- e. **Maintain power tools. Check for misalignment or binding of moving parts, breakage of parts and any other condition that may affect the power tool's operation. If damaged, have the power tool repaired before use.** *Many accidents are caused by poorly maintained power tools.*
- f. **Keep cutting tools sharp and clean.** *Properly maintained cutting tools with sharp cutting edges are less likely to bind and are easier to control.*
- g. **Use the power tool, accessories and tool bits etc. in accordance with these instructions, taking into account the working conditions and the work to be performed. Use of the power tool for operations different from those intended could result in a hazardous situation.**

## 6. Service

- a. **Have your power tool serviced by a qualified repair person using only identical replacement parts.** *This will ensure that the safety of the power tool is maintained.*

## 4" Jointer Planer Safety Warnings

1. **Cutter heads must be rated for at least the speed recommended on the tool.** *Cutter heads running over rated speed can fly apart and cause injury.*
2. Do not perform jointing or planing with cutter block assembly or drive guard removed.
3. Do not make cuts deeper than 1/8".
4. Always use a push block.
5. Always inspect workpiece to make certain it is free from nails or other foreign objects which may break or damage the blade.
6. Feed the work piece into the blade against its rotation only.
7. Do not start the machine under load. Allow Jointer Planer to attain full speed before engaging stock to the blade.
8. Make certain stock is supported at all times during operation.
9. Do not use blunt or damaged cutter heads.
10. Always check the proper working of the guard retracting system before each use.
11. Maintain labels and nameplates on the tool. These carry important safety information. If unreadable or miss-

ing, contact Harbor Freight Tools for a replacement.

12. Avoid unintentional starting. Prepare to begin work before turning on the tool.
13. Do not leave the tool unattended when it is plugged into an electrical outlet. Turn off the tool, and unplug it from its electrical outlet before leaving.
14. This product is not a toy. Keep it out of reach of children.
15. People with pacemakers should consult their physician(s) before use. Electromagnetic fields in close proximity to heart pacemaker could cause pacemaker interference or pacemaker failure. In addition, people with pacemakers should:
  - Avoid operating alone.
  - Do not use with power switch locked on.
  - Properly maintain and inspect to avoid electrical shock.
  - Any power cord must be properly grounded. Ground Fault Circuit Interrupter (GFCI) should also be implemented – it prevents sustained electrical shock.
16. Some dust created by power sanding, sawing, grinding, drilling, and other construction activities, contains chemicals known [to the State of California] to cause cancer, birth defects or other reproductive harm. Some examples of these chemicals are:
  - Lead from lead-based paints
  - Crystalline silica from bricks and cement or other masonry products
  - Arsenic and chromium from chemically treated lumberYour risk from these exposures var-

ies, depending on how often you do this type of work. To reduce your exposure to these chemicals: work in a well ventilated area, and work with approved safety equipment, such as those dust masks that are specially designed to filter out microscopic particles. (California Health & Safety Code § 25249.5, *et seq.*)

17. **WARNING:** Handling the cord on this product will expose you to lead, a chemical known to the State of California to cause cancer, and birth defects or other reproductive harm. Wash hands after handling. (California Health & Safety Code § 25249.5, *et seq.*)
18. The warnings, precautions, and instructions discussed in this instruction manual cannot cover all possible conditions and situations that may occur. It must be understood by the operator that common sense and caution are factors which cannot be built into this product, but must be supplied by the operator.

### **Vibration Safety**

This tool vibrates during use. Repeated or long-term exposure to vibration may cause temporary or permanent physical injury, particularly to the hands, arms and shoulders. To reduce the risk of vibration-related injury:

1. Anyone using vibrating tools regularly or for an extended period should first be examined by a doctor and then have regular medical check-ups to ensure medical problems are not being caused or worsened from use. Pregnant women or people

who have impaired blood circulation to the hand, past hand injuries, nervous system disorders, diabetes, or Raynaud's Disease should not use this tool. If you feel any medical or physical symptoms related to vibration (such as tingling, numbness, and white or blue fingers), seek medical advice as soon as possible.

2. Do not smoke during use. Nicotine reduces the blood supply to the hands and fingers, increasing the risk of vibration-related injury.
3. Wear suitable gloves to reduce the vibration effects on the user.
4. Use tools with the lowest vibration when there is a choice between different processes.
5. Include vibration-free periods each day of work.
6. Grip tool as lightly as possible (while still keeping safe control of it). Let the tool do the work.
7. To reduce vibration, maintain the tool as explained in this manual. If any abnormal vibration occurs, stop use immediately.



**SAVE THESE INSTRUCTIONS.**

---

## GROUNDING

---

### **⚠ WARNING TO PREVENT ELECTRIC SHOCK**

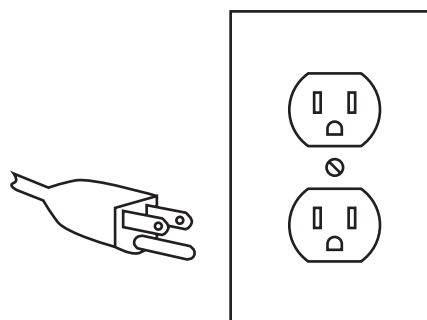


#### **AND DEATH FROM INCORRECT GROUNDING WIRE CONNECTION:**

**Check with a qualified electrician if you are in doubt as to whether the outlet is properly grounded. Do not modify the power cord plug provided with the tool. Never remove the grounding prong from the plug. Do not use the tool if the power cord or plug is damaged. If damaged, have it repaired by a service facility before use. If the plug will not fit the outlet, have a proper outlet installed by a qualified electrician.**

---

### **Grounded Tools: Tools with Three Prong Plugs**



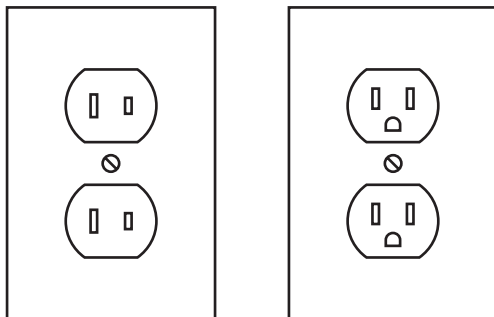
**3-Prong Plug and Outlet**

1. Tools marked with "Grounding Required" have a three wire cord and three prong grounding plug. The plug must be connected to a properly grounded outlet. If the tool should electrically malfunction or break down, grounding provides a low resistance path to carry electricity away from the user, reducing the risk

of electric shock. **(See 3-Prong Plug and Outlet.)**

2. The grounding prong in the plug is connected through the green wire inside the cord to the grounding system in the tool. The green wire in the cord must be the only wire connected to the tool's grounding system and must never be attached to an electrically "live" terminal. **(See 3-Prong Plug and Outlet.)**
3. The tool must be plugged into an appropriate outlet, properly installed and grounded in accordance with all codes and ordinances. The plug and outlet should look like those in the preceding illustration. **(See 3-Prong Plug and Outlet.)**

### **Double Insulated Tools: Tools with Two Prong Plugs**



**Outlets for 2-Prong Plug**

1. Tools marked "Double Insulated" do not require grounding. They have a special double insulation system which satisfies OSHA requirements and complies with the applicable standards of Underwriters Laboratories, Inc., the Canadian Standard Association, and the National Electrical Code. **(See Outlets for 2-Prong Plug.)**

2. Double insulated tools may be used in either of the 120 volt outlets shown in the preceding illustration. **(See Outlets for 2-Prong Plug.)**

### **Extension Cords**

1. **Grounded** tools require a three wire extension cord. **Double Insulated** tools can use either a two or three wire extension cord.
2. As the distance from the supply outlet increases, you must use a heavier gauge extension cord. Using extension cords with inadequately sized wire causes a serious drop in voltage, resulting in loss of power and possible tool damage. **(See Table A.)**
3. The smaller the gauge number of the wire, the greater the capacity of the cord. For example, a 14 gauge cord can carry a higher current than a 16 gauge cord. **(See Table A.)**
4. When using more than one extension cord to make up the total length, make sure each cord contains at least the minimum wire size required. **(See Table A.)**
5. If you are using one extension cord for more than one tool, add the nameplate amperes and use the sum to determine the required minimum cord size. **(See Table A.)**
6. If you are using an extension cord outdoors, make sure it is marked with the suffix "W-A" ("W" in Canada) to indicate it is acceptable for outdoor use.
7. Make sure the extension cord is properly wired and in good electrical con-






dition. Always replace a damaged extension cord or have it repaired by a qualified electrician before using it.

8. Protect the extension cords from sharp objects, excessive heat, and damp or wet areas.

<b>RECOMMENDED MINIMUM WIRE GAUGE FOR EXTENSION CORDS* (120/240 VOLT)</b>					
<b>NAMEPLATE AMPERES (at full load)</b>	<b>EXTENSION CORD LENGTH</b>				
	<b>25'</b>	<b>50'</b>	<b>75'</b>	<b>100'</b>	<b>150'</b>
0 – 2.0	18	18	18	18	16
2.1 – 3.4	18	18	18	16	14
3.5 – 5.0	18	18	16	14	12
5.1 – 7.0	18	16	14	12	12
7.1 – 12.0	18	14	12	10	-
12.1 – 16.0	14	12	10	-	-
16.1 – 20.0	12	10	-	-	-

**TABLE A** \* Based on limiting the line voltage drop to five volts at 150% of the rated amperes.

### Symbology

	Double Insulated
	Canadian Standards Association
	Underwriters Laboratories, Inc.
	Volts Alternating Current
	Amperes
$n_0$ xxxx/min.	No Load Revolutions per Minute (RPM)

## SPECIFICATIONS

Motor Speed	20,000 RPM
Cutter Head Speed	10,000 RPM
Input	120 V~ / 60 Hz / 4.5 A (no load)
Cutting Knives	2
Maximum Planing Width	3.937"
Maximum Cutting Depth	.078"
Fence Tilt	90-135 degrees

## UNPACKING

When unpacking, check to make sure that the item is intact and undamaged. If any parts are missing or broken, please call Harbor Freight Tools at the number shown on the cover of this manual as soon as possible.

Examine the machine work surface to make certain it is clear of grease and debris.

## ASSEMBLY



Read the **ENTIRE IMPORTANT SAFETY INFORMATION** section at the beginning of this manual including all text under subheadings therein before set up or use of this product.



**TO PREVENT SERIOUS INJURY**

**FROM ACCIDENTAL OPERATION:**

Turn the Power Switch of the tool to its "OFF" position and unplug the tool from its electrical outlet before assembling or making any adjustments to the tool.

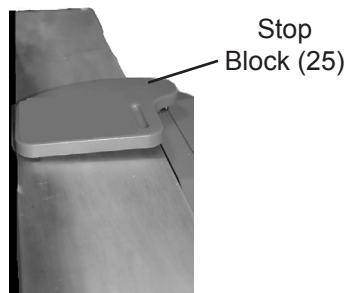


**Note:** For additional information regarding the parts listed in the following pages, refer to the Assembly Diagram near the end of this manual.

### **Installing the Fence and Stop Block**

1. Set the Fence (76) down onto the Block (89) by setting the locating pin at the bottom of the Fence into the key hole slot on top of the Stand (75).
2. At the same time, set the cut-out notch on face of the block over the attachment bolt on right side of Fixing Table (53).
3. Use a flat-edge screwdriver to tighten the bolt and locating pin, making sure that Fence is parallel with both tables.
4. Slide Fence slightly to the side so it fits snug into place.
5. Secure with Hex Nut. Do not over-tighten.
6. Turn Screw on bottom of Fence clockwise to further secure.

**Figure 1**



7. Set the Stop Block (25) against the Fence by rotating it until its flat edge points toward the Fence and it sits firmly up against Fence. Make certain not to use excessive force to rotate the Stop Block. It should easily

move into place against the Fence. See **Figure 1**.

8. Stop Block must always snap back in place and close instantly. Do not use Jointer Planer if Stop Block does not adequately snap into place.
9. Loosen the tension on the Stop Block if Jointer Planer will not be used for a significant time period. **Please note:** Fence must be removed.

### **Installing Dust Collection Bag**

**Figure 2**



1. Slide Dust Collection Collar (106) over Dust Collection Bag (107).
2. Slide Dust Collection Bag (107) with Dust Collection Collar onto Port.
3. Tighten Dust Collection Collar (106) in place by turning Handle and then clamping Handle down once reasonably tight. Do not over-tighten. See **Figure 2**, previous page.

### **Fence Adjustment**

Turn the Switch (2) to its "OFF" position and unplug the tool from its electrical outlet before assembling or making any adjustments to the tool.

1. The Fence has a scale indicating degrees from 90 to 135.
2. The Fence can also be set to 0.

### Functions

#### Cutting Depth Adjustment

1. Face the Knob (83) and turn it clockwise to decrease depth.
2. To increase cutting depth, turn the Knob (83) counterclockwise.
3. DO NOT adjust the cutting depth so that it exceeds 1/8".

#### Push Block

The Push Block (89) has a screw by which the Push Block can be attached to your work piece. Line up screw and turn knob until Push Block is secured in place.

## OPERATING INSTRUCTIONS



Read the **ENTIRE IMPORTANT SAFETY INFORMATION** section at the beginning of this manual including all text under subheadings therein before set up or use of this product.

### Tool Set Up



**TO PREVENT  
SERIOUS INJURY**

**FROM ACCIDENTAL  
OPERATION:**

**Turn the Power Switch of the tool to its "OFF" position and unplug the tool from its electrical outlet before performing any inspection, maintenance, or cleaning procedures.**

### Replacing Blades

1. Make certain to check tightness of the Blade Hex Bolts prior to each use.
2. Release Stop Block and remove Fence.
3. Use Hex Wrench (not included) to loosen Hex Bolts and remove worn Blades (58). Replace with new Blades.
4. Set Scale to zero. Using a straight edge, lay it across Blades. At point that Blade touches straight edge, the Blade should evenly touch the straight edge and be square the Planer face.

### Work Piece and Work Area Set Up

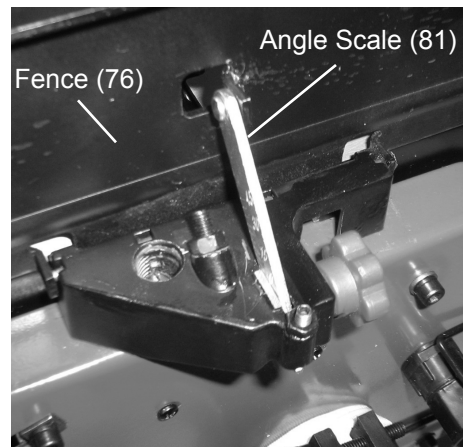
1. Designate a work area that is clean and well-lit. The work area must not allow access by children or pets to prevent injury and distraction.
2. Route the power cord along a safe route to reach the work area without creating a tripping hazard or exposing the power cord to possible damage.

3. There must not be hazardous objects, such as utility lines or foreign objects, nearby that will present a hazard while working.

### **General Operating Instructions**

1. The Jointer Planer has a Key which fits into the On/Off Switch. Plug the Jointer Planer into a standard 120V outlet.
2. Make certain Key is in Switch. Press to On position.
3. **CAUTION:** Use the push block with every operation and when working with stock that is less than 3" wide or thick.
4. **CAUTION:** Never feed with your hand on the end of the stock! Serious injury may result.
5. Always hold your stock firmly against the fence.
6. Always feed at an even rate along the entire length. Stopping will result in marred and uneven finishes. Do not feed too fast.
7. Apply even pressure. Start feeding with your left hand forward and your right a couple inches behind. As your right hand passes over the blades, move your left hand behind the right. Continue shifting in this fashion until all of your stock has been planed.

8. For Bevel Planing: Set the fence to the desired angle by using the Angle Scale (81). See **Figure 3**, below.



**Figure 3**

9. Move the fence in or out along the table to accommodate the desired planing width. Plane along the edge of the stock. Make sure you are pushing the stock firmly against the fence.
10. To prevent accidents, turn off the tool and disconnect its power supply after use. Remove Key from On/Off switch and store in a safe location out of the reach of children. Clean, then store the tool indoors out of children's reach.

---

## MAINTENANCE AND SERVICING

---



Procedures not specifically explained in this manual must be performed only by a qualified technician.

### **⚠️ WARNING** TO PREVENT SERIOUS INJURY

#### FROM ACCIDENTAL OPERATION:

Turn the Power Switch of the tool to its “OFF” position and unplug the tool from its electrical outlet before performing any inspection, maintenance, or cleaning procedures.

#### TO PREVENT SERIOUS INJURY FROM TOOL FAILURE:

Do not use damaged equipment. If abnormal noise or vibration occurs, have the problem corrected before further use.

---

### Cleaning, Maintenance, and Lubrication

1. **BEFORE EACH USE**, inspect the general condition of the tool. Check for loose screws, misalignment or binding of moving parts, cracked or broken parts, damaged electrical wiring, and any other condition that may affect its safe operation.
2. **AFTER USE**, clean external surfaces of the tool with clean cloth.
3. **⚠️ WARNING!** If the supply cord of this power tool is damaged, it must

be replaced only by a qualified service technician.

---

### PLEASE READ THE FOLLOWING CAREFULLY

THE MANUFACTURER AND/OR DISTRIBUTOR HAS PROVIDED THE PARTS LIST AND ASSEMBLY DIAGRAM IN THIS MANUAL AS A REFERENCE TOOL ONLY. NEITHER THE MANUFACTURER OR DISTRIBUTOR MAKES ANY REPRESENTATION OR WARRANTY OF ANY KIND TO THE BUYER THAT HE OR SHE IS QUALIFIED TO MAKE ANY REPAIRS TO THE PRODUCT, OR THAT HE OR SHE IS QUALIFIED TO REPLACE ANY PARTS OF THE PRODUCT. IN FACT, THE MANUFACTURER AND/OR DISTRIBUTOR EXPRESSLY STATES THAT ALL REPAIRS AND PARTS REPLACEMENTS SHOULD BE UNDERTAKEN BY CERTIFIED AND LICENSED TECHNICIANS, AND NOT BY THE BUYER. THE BUYER ASSUMES ALL RISK AND LIABILITY ARISING OUT OF HIS OR HER REPAIRS TO THE ORIGINAL PRODUCT OR REPLACEMENT PARTS THERETO, OR ARISING OUT OF HIS OR HER INSTALLATION OF REPLACEMENT PARTS THERETO.

#### **Record Product’s Serial Number Here:**

---

**Note:** If product has no serial number, record month and year of purchase instead.

**Note:** Some parts are listed and shown for illustration purposes only, and are not available individually as replacement parts.

## PARTS LIST

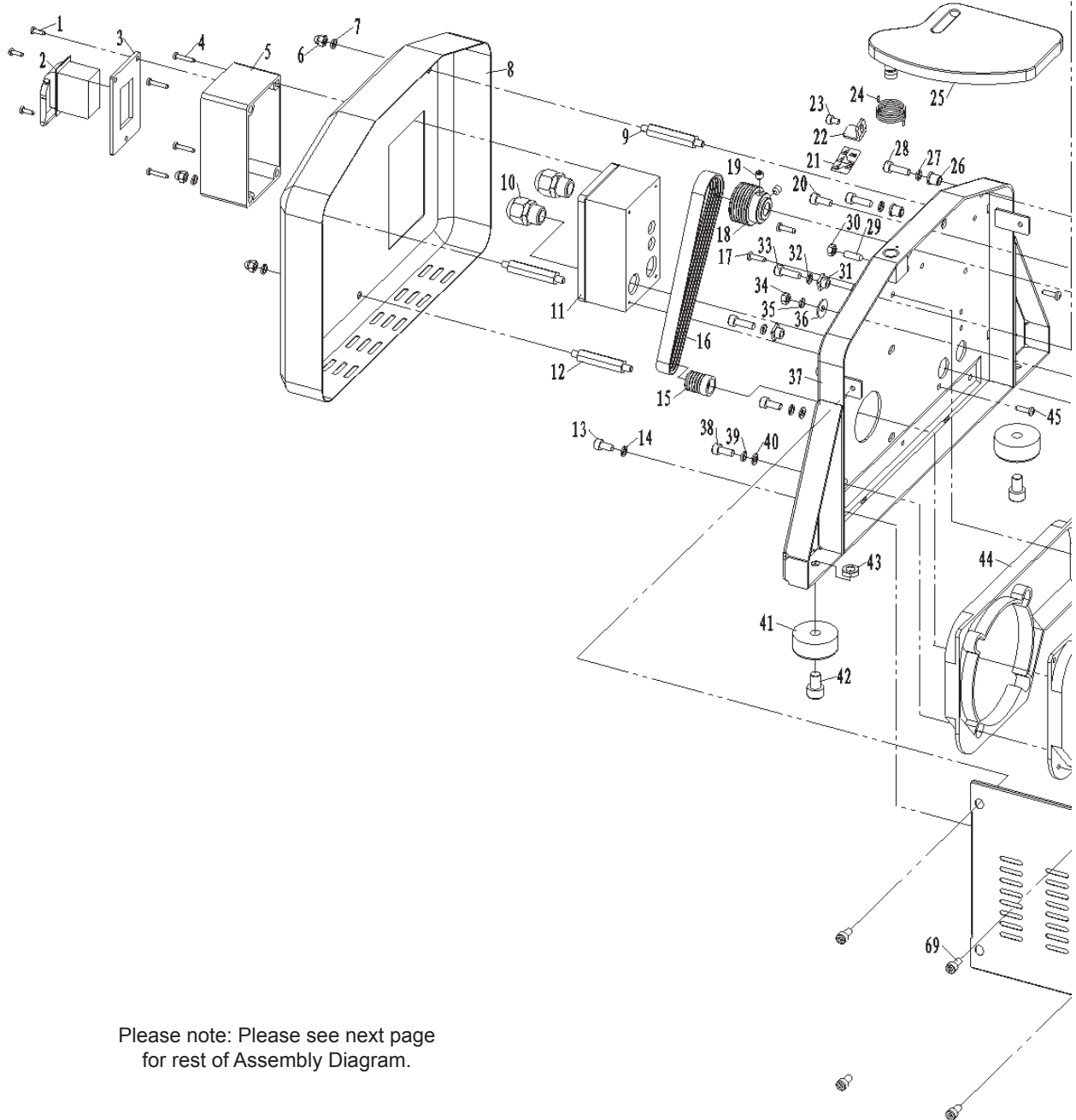
Part	Description	Qty.
1	Bolt	3
2	Switch	1
3	Switch plate	1
4	Bolt	4
5	Switch upper cover	1
6	Nut	3
7	Locking washer	3
8	Housing cover	1
9	Connection column	2
10	Strain Relief	2
11	Switch Lower Cover	1
12	Connection column	1
13	Bolt	2
14	Locking washer	2
15	Motor pulley	1
16	Belt	1
17	Bolt	2
18	Cutterhead Pulley	1
19	Bolt	2
20	Bolt	3
21	Scale	1
22	Pointer	1
23	Bolt	1
24	Spring	1
25	Stop block	1
26	Bushing	4
27	Locking washer	4
28	Bolt	4
29	Bolt	2
30	Nut	1
31	Bushing	4
32	Lock Washer	4
33	Bolt	4
34	Nut	1
35	Lock Washer	1
36	Flat Washer	1
37	Main Stand	1
38	Bolt	4
39	Lock Washer	4

Part	Description	Qty.
40	Flat Washer	4
41	Foot	4
42	Bolt	4
43	Nut	4
44	Vent Upper Cover	1
45	Bolt	2
46	Adjusting Knob Assembly	1
47	Bearing	1
48	Bearing Seat	1
48.1	Nut	3
48.2	Lock Washer	3
49	Nut	2
50	Pole	1
51	Nut	2
52	Infeed Table	1
53	Fixing Table	1
54	Bolt	4
55	Motor Side Plate	1
56	Bolt	3
57	Blade Clamp	2
58	Blades	2
59	Cutter head	1
60	Shaft	1
61	Jack Screw	4
62	Clamp	1
63	Flat Washer	2
64	Lock Washer	2
65	Bolt	2
66	Vent Lower Cover	1
66B	Sponge Strip	1
67	Motor	1
68	Bolt	3
69	Bolt	4
70	Motor Side Plate	1
71	Connection Board	1
72	Chip Exhaust	1
73	Bolt	6
74	Bearing	1
75	Stand	1
76	Fence	1

Part	Description	Qty.
77	Screw	1
78	Bolt	1
79	Nut	1
80	Rivet	1
81	Angle Scale	1
82	Nut	1
83	Knob	1
84	Bolt	1
85	Flat Washer	1
86	Locking Washer	2
87	Bolt	1
88	Nut	1
89	Push Block	1
90	Running Pin	1
91	Hook	2
92	bolt	4
93	Flat Washer	4
94	Strain Relief	1
95	Bolt	2
96	Flat Washer	1
97	Locking Washer	1
98	Bolt	1
99	Serrated Washer	2
100	Flat Washer	2
101	Bolt	2
102	Locking Washer	2
103	Line Cord	1
104	Bolt	2
105	Locking Washer	2
106	Dust Collection Collar	1
107	Dust Collection Bag	1
108	Dust Collection Handle	1
109	Key	1

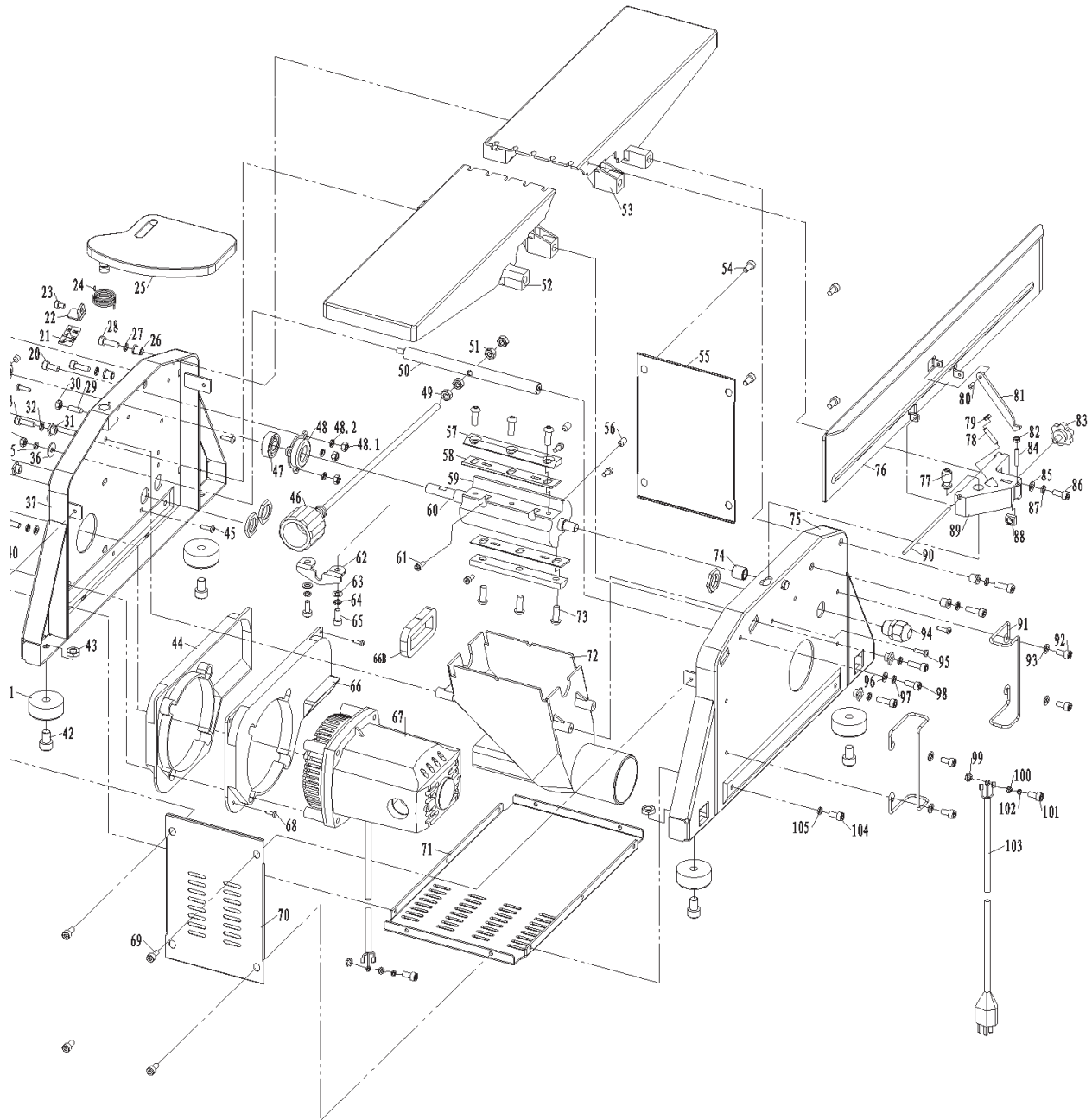
**Please Note:** Dust Collection Bag (107) and Dust Collection Handle (108) not shown.

# ASSEMBLY DIAGRAM



Please note: Please see next page  
for rest of Assembly Diagram.

# ASSEMBLY DIAGRAM (CONTINUED)



---

## LIMITED 90 DAY WARRANTY

---

Harbor Freight Tools Co. makes every effort to assure that its products meet high quality and durability standards, and warrants to the original purchaser that this product is free from defects in materials and workmanship for the period of 90 days from the date of purchase. This warranty does not apply to damage due directly or indirectly, to misuse, abuse, negligence or accidents, repairs or alterations outside our facilities, criminal activity, improper installation, normal wear and tear, or to lack of maintenance. We shall in no event be liable for death, injuries to persons or property, or for incidental, contingent, special or consequential damages arising from the use of our product. Some states do not allow the exclusion or limitation of incidental or consequential damages, so the above limitation of exclusion may not apply to you. THIS WARRANTY IS EXPRESSLY IN LIEU OF ALL OTHER WARRANTIES, EXPRESS OR IMPLIED, INCLUDING THE WARRANTIES OF MERCHANTABILITY AND FITNESS.

To take advantage of this warranty, the product or part must be returned to us with transportation charges prepaid. Proof of purchase date and an explanation of the complaint must accompany the merchandise. If our inspection verifies the defect, we will either repair or replace the product at our election or we may elect to refund the purchase price if we cannot readily and quickly provide you with a replacement. We will return repaired products at our expense, but if we determine there is no defect, or that the defect resulted from causes not within the scope of our warranty, then you must bear the cost of returning the product.

This warranty gives you specific legal rights and you may also have other rights which vary from state to state.

**3491 Mission Oaks Blvd. • PO Box 6009 • Camarillo, CA 93011 • (800) 444-3353**



## Free Manuals Download Website

<http://myh66.com>

<http://usermanuals.us>

<http://www.somanuals.com>

<http://www.4manuals.cc>

<http://www.manual-lib.com>

<http://www.404manual.com>

<http://www.luxmanual.com>

<http://aubethermostatmanual.com>

Golf course search by state

<http://golfingnear.com>

Email search by domain

<http://emailbydomain.com>

Auto manuals search

<http://auto.somanuals.com>

TV manuals search

<http://tv.somanuals.com>