

OneStopGardens
By Harbor Freight Tools

CHILDREN'S PATIO SET

4 PIECE

Model 09018

ASSEMBLY and OPERATING INSTRUCTIONS



3491 Mission Oaks Blvd., Camarillo, CA 93011
Visit our Web site at <http://www.harborfreight.com>

Copyright © 2003 by Harbor Freight Tools®. All rights reserved. No portion of this manual or any artwork contained herein may be reproduced in any shape or form without the express written consent of Harbor Freight Tools .

For technical questions and replacement parts, please call 1-800-444-3353

Specifications

Table Dimensions	28" Dia. x 20-1/4" H
Chair Dimensions (2)	12" X 14" X 24" H
Umbrella Dimensions	46" Dia. x 30-1/2" L (opened)
Umbrella Stand	2-1/8" W x 5-5/8" L
Chair Sitting Area	9-1/4" W x 12" L
Materials: Hard Wood, Carbon Steel Frames, Gray Paint, Waterproof Umbrella Material	

CHAIR CAPACITY: 220 LBS. / TABLE CAPACITY: 175 LBS.

Save This Manual

You will need the manual for the safety warnings and precautions, assembly instructions, operating and maintenance procedures, parts list and diagram. Keep your invoice with this manual. Write the invoice number on the inside of the front cover. Keep the manual and invoice in a safe and dry place for future reference.

Safety Warnings and Precautions

WARNING: When using this product, basic safety precautions should always be followed to reduce the risk of personal injury and damage to equipment.

Read all instructions before using this product!

1. **Keep work area clean.** Cluttered areas invite injuries.
2. **Observe work area conditions.** Don't expose to rain unless the wood is properly treated. Keep work area well lighted.
3. **Keep children away.** Children must never be allowed in the work area during assembly.
4. **Store idle equipment.** When not in use, the Patio Set must be stored in a dry location to inhibit rust and wear.
5. **Use the right tool for the job.** Do not attempt to force a small Patio Set to do the work of a larger Patio Set. There are certain applications for which this Patio Set was designed. It will do the job better and more safely if you do not modify this Patio Set and do not use this Patio Set for a purpose for which it was not intended.
6. **Dress properly.** Do not wear loose clothing or jewelry during assembly. Protective, electrically non-conductive clothes and non-skid footwear are recommended when working. Wear restrictive hair covering to contain long hair.
7. **Use eye protection.** Always wear ANSI approved impact safety goggles during assembly
8. **Do not overreach.** Keep proper footing and balance at all times.

9. **Maintain the Patio Set with care.** Keep it clean for better and safer performance. Inspect the Patio Set periodically, and if damaged, have it repaired by an authorized technician.
10. **Stay alert.** Watch what you are doing, use common sense. Do not assemble the Patio Set when you are tired.
11. **Check for damaged parts.** Before using the Patio Set, any part that appears damaged should be carefully checked to determine that it will operate properly and perform its intended function. Check for alignment and binding of moving parts; any broken parts or mounting fixtures; and any other condition that may affect proper operation. Any part that is damaged should be properly repaired or replaced by a qualified technician.
12. **Replacement parts and accessories.** When servicing, use only identical replacement parts. Use of any other parts will void the warranty.
13. **Do not assemble the Patio Set if under the influence of alcohol or drugs.** Read warning labels if taking prescription medicine to determine if your judgement or reflexes are impaired while taking drugs. If there is any doubt, do not assemble the Patio Set.
14. **Choose the proper location.** Set up the Patio Set on a flat, dry, level surface.
15. **Be aware of weather conditions.** Make sure the umbrella is tied in the closed position or removed entirely during windy weather. The wind can knock over the umbrella and table causing serious injury.
16. **Maintenance.** For your safety, maintenance should be performed regularly by a qualified technician.

Warning: The warnings, cautions, and instructions discussed in this instruction manual cannot cover all possible conditions and situations that may occur. It must be understood by the operator that common sense and caution are factors which cannot be built into this product, but must be supplied by the operator.

WARNING: The brass components of this product contain lead, a chemical known to the State of California to cause birth defects (or other reproductive harm). (California Health & Safety code 25249.5, et seq.)

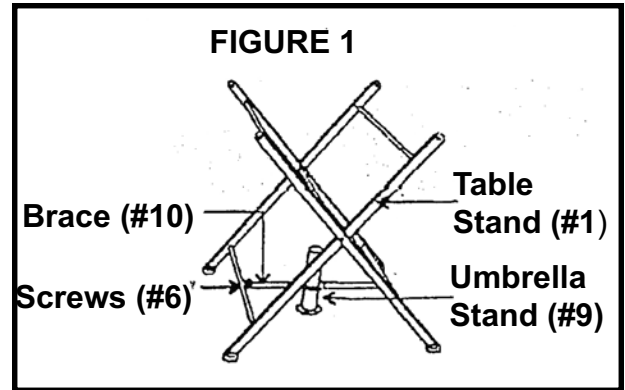
Unpacking

When unpacking, check to make sure the parts listed on page 6 are included. If any parts are missing or broken, please call Harbor Freight Tools at the number on the cover of this manual as soon as possible.

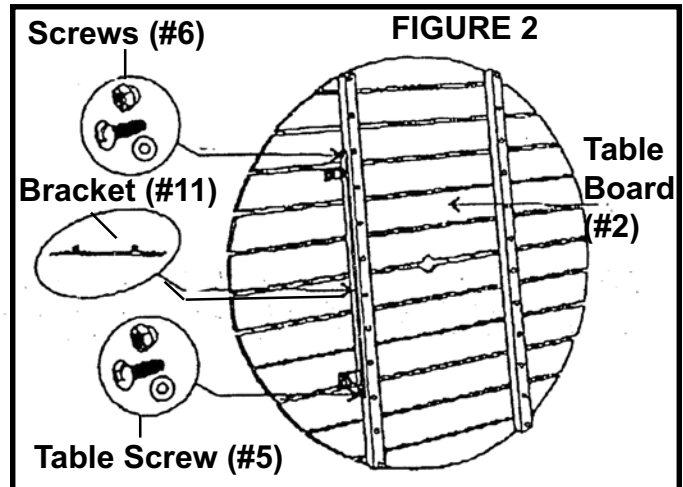
Assembly

See the Parts List/Drawing on page 6.

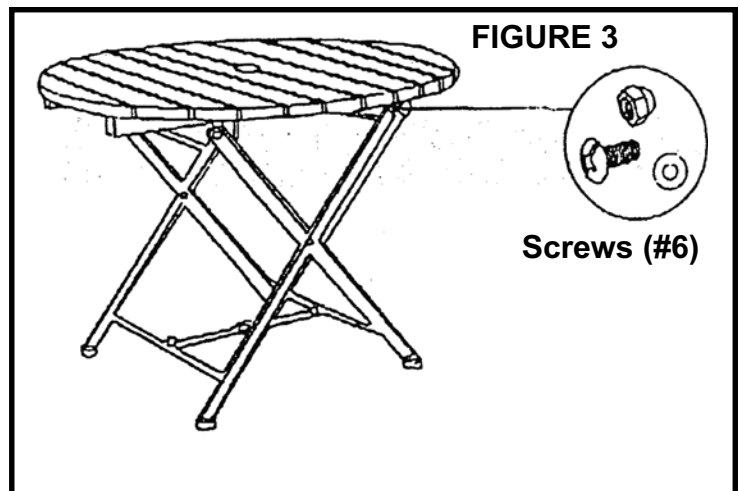
1. Assembling the **Table Stand (#1)**: Use two sets of **Screws (#6)** on each side of the **Brace (#10)** to support the bottom of the **Table Stand (#1)**. Align the **Umbrella Stand (#9)** next to the **Brace (#10)**. See **FIGURE 1**.



2. Attach the two **Brackets (#11)** to the underside of the **Table Board (#2)** using four sets of **Table Screws (#5)**. See **FIGURE 2**.

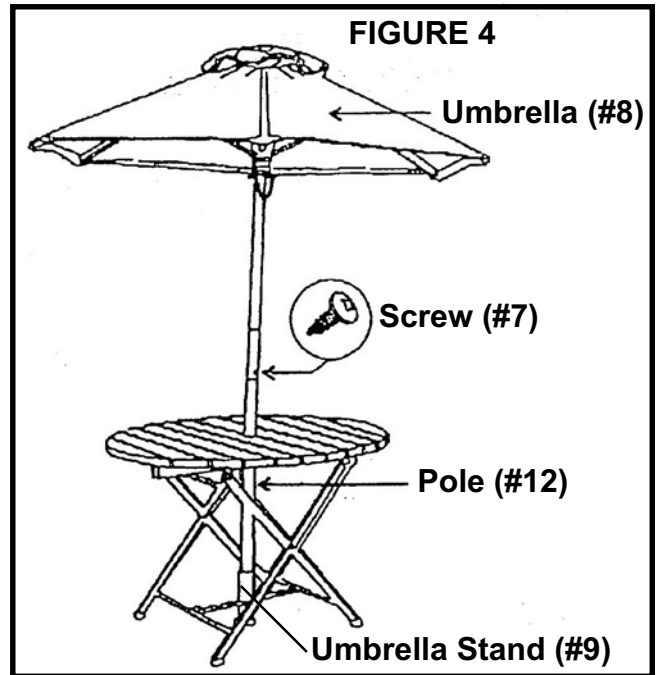


3. Attach the **Table Stand (#1)** to the **Brackets (#11)** on the **Table Board (#2)** using two sets of **Screws (#6)**. See **FIGURES 2 & 3**.



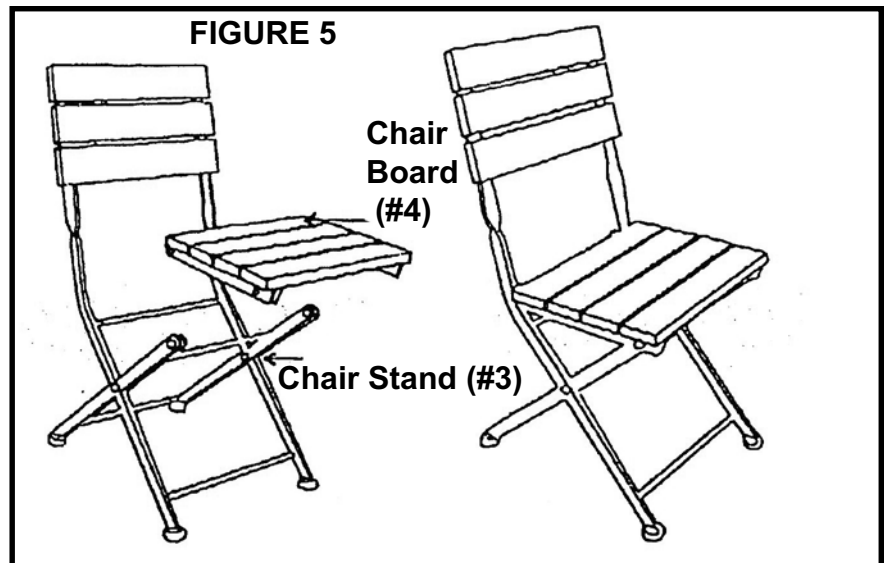
Assembly (continued)

4. Connect the **Umbrella (#8)** and the **Pole (#12)** using **Screw (#7)**. Slide the **Pole (#12)** into the **Umbrella Stand (#9)**. See **FIGURE 4**.



5. Attach the **Chair Board (#4)** to the **Chair Stand (#3)** using four sets of **Screws (#6)**.

Note: Remember to set the Patio Set up on a flat, dry, level surface. Do not deploy the **Umbrella (#8)** during windy conditions.

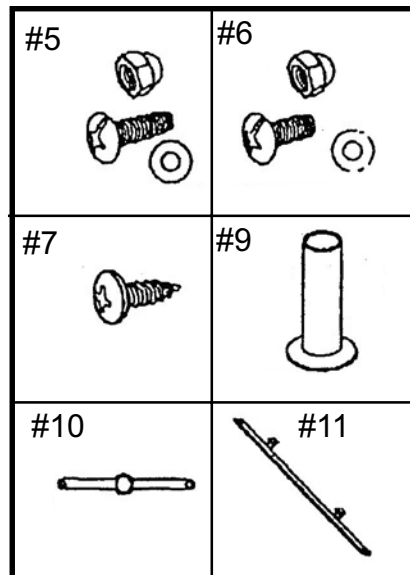


Maintenance

1. Periodically check the hardware and tighten if necessary.
2. If you leave the set outdoors during inclement weather, it is recommended that you seal the set with a marine quality varnish or paint.

Parts List

Part No.	Description	Qty.
1	Table Stand	1
2	Table Board	1
3	Chair Stand	2
4	Chair Board	2
5	Table Screw (6mm x 35mm)	4 Sets
6	Screw (6mm x 20mm)	14 Sets
7	Screw	1
8	Umbrella	1
9	Umbrella Stand	1
10	Brace	1
11	Bracket	2
12	Pole	1



PLEASE READ THE FOLLOWING CAREFULLY

THE MANUFACTURER AND/OR DISTRIBUTOR HAS PROVIDED THE PARTS DIAGRAM IN THIS MANUAL AS A REFERENCE TOOL ONLY. NEITHER THE MANUFACTURER NOR DISTRIBUTOR MAKES ANY REPRESENTATION OR WARRANTY OF ANY KIND TO THE BUYER THAT HE OR SHE IS QUALIFIED TO MAKE ANY REPAIRS TO THE PRODUCT OR THAT HE OR SHE IS QUALIFIED TO REPLACE ANY PARTS OF THE PRODUCT. IN FACT, THE MANUFACTURER AND/OR DISTRIBUTOR EXPRESSLY STATES THAT ALL REPAIRS AND PARTS REPLACEMENTS SHOULD BE UNDERTAKEN BY CERTIFIED AND LICENSED TECHNICIANS AND NOT BY THE BUYER. THE BUYER ASSUMES ALL RISK AND LIABILITY ARISING OUT OF HIS OR HER REPAIRS TO THE ORIGINAL PRODUCT OR REPLACEMENT PARTS THERETO, OR ARISING OUT OF HIS OR HER INSTALLATION OF REPLACEMENT PARTS THERETO.

NOTE: Some parts are listed and shown for illustration purposes only and are not available individually as replacement parts.

Free Manuals Download Website

<http://myh66.com>

<http://usermanuals.us>

<http://www.somanuals.com>

<http://www.4manuals.cc>

<http://www.manual-lib.com>

<http://www.404manual.com>

<http://www.luxmanual.com>

<http://aubethermostatmanual.com>

Golf course search by state

<http://golfingnear.com>

Email search by domain

<http://emailbydomain.com>

Auto manuals search

<http://auto.somanuals.com>

TV manuals search

<http://tv.somanuals.com>