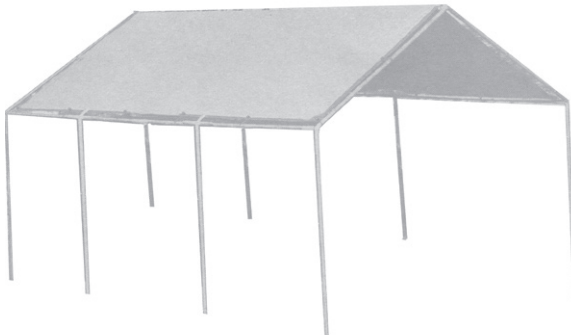




PORTABLE GARAGE CAR CANOPY

Model 40544

ASSEMBLY INSTRUCTIONS



Visit Our Web Site
<http://www.harborfreight.com>



3491 Mission Oaks Blvd., Camarillo, CA 93011

Copyright© 1999 by Harbor Freight Tools®. All rights reserved. No portion of this manual or any artwork contained herein may be reproduced in any shape or form without the express written consent of Harbor Freight Tools.

For technical questions and replacement parts, please call 1-800-444-3353.

Cover Page Rev 12/04

Save This Manual

You will need the manual for the safety warnings and precautions, assembly instructions, operating and maintenance procedures, parts list and diagram. Keep your invoice with this manual. Write the invoice number on the inside of the front cover. Keep the manual and invoice in a safe and dry place for future reference.

Safety Warnings and Precautions

WARNING: When using product, basic safety precautions should always be followed to reduce the risk of personal injury and damage to equipment.

Read all instructions before assembly!

1. **Watch weather conditions.** If using the Car Canopy in windy areas be sure to anchor the legs with cement blocks, sand bags, or other means. This will keep the canopy from being carried away. Do not let snow accumulate on the canopy or it could collapse.
2. **Avoid working alone.** If an accident happens, an assistant can bring help.
3. **Keep work area clean.** Cluttered areas invite injuries.
4. **Keep children away.** Children must never be allowed in the work area. Do not allow them to play on or around the canopy.
5. **Store idle equipment.** When not in use, tools must be stored in a dry location to inhibit rust. Always lock up tools and keep out of reach of children.
6. **Dress properly.** Do not wear loose clothing or jewelry as they can be caught in moving parts. Protective, electrically nonconductive clothes and nonskid footwear are recommended when working. Wear restrictive hair covering to contain long hair.
7. **Use eye and ear protection.** Always wear ANSI approved impact safety goggles.
8. **Do not overreach.** Keep proper footing and balance at all times. Do not reach over or across electrical cables or frames.
9. **Stay alert.** Watch what you are doing, use common sense. Do not attempt to assemble when you are tired.
10. **Check for damaged parts.** Before using any tool, any part that appears damaged should be carefully checked to determine that it will operate properly and perform its intended function. Check for any broken parts or mounting fixtures; and any other condition that may affect proper operation. Any part that is damaged should be properly repaired or replaced by a qualified technician.

11. **Replacement parts.** When servicing, use only identical replacement parts. Use of any other parts will void the warranty.
12. **Do not assemble if under the influence of alcohol or drugs.** Read warning labels on prescriptions to determine if your judgment or reflexes are impaired while taking drugs. If there is any doubt, do not assemble the product.
13. **Heavy, wet snow or extremely windy conditions could damage the Car Canopy.** It is recommended that the Tarp be removed under these conditions to prevent damage to the Car Canopy or nearby property.

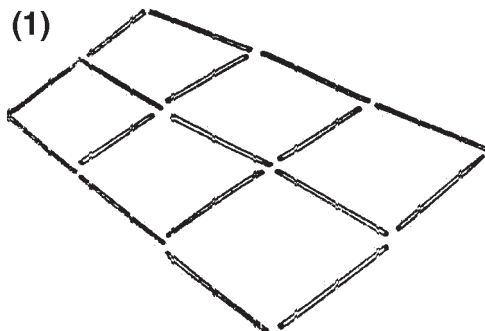
Warning: The warnings, cautions, and instructions discussed in this instruction manual cannot cover all possible conditions and situations that may occur. It must be understood by the operator that common sense and caution are factors which cannot be built into this product, but must be supplied by the operator.

Unpacking

When unpacking, check to make sure that all parts are included. Refer to parts list on the last page of this manual. If any parts are missing or broken, please call Harbor Freight Tools at the number on the cover of this manual.

Assembly

1. Place 17 Steel Tubes (1) on the ground as illustrated below.



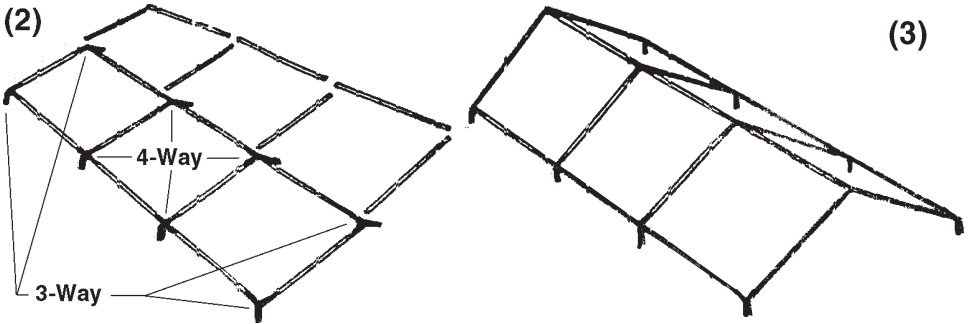
Caution: Be alert to possible wind damage; prolonged exposure to wind can cause fasteners and hardware to loosen as the frame flexes. The Portable Garage Car Canopy's frame strength will be compromised if fasteners and hardware are not tight. Periodically check and make sure all fasteners and hardware are tight. Tubes, stakes, tie downs and rope should also be periodically checked to make sure the unit is always structurally rigid.

REV 04/02;02/04

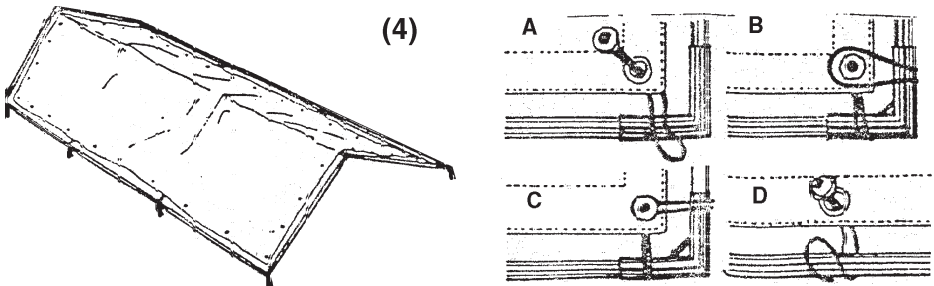
SKU 40544 For technical questions, please call 1-800-444-3353.

Page 3

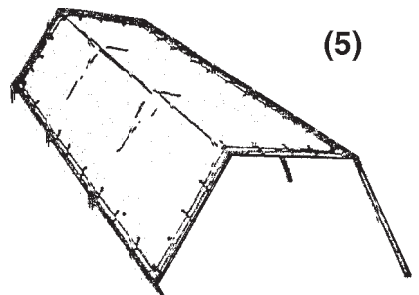
- Connect 3-way and 4-way Tube Fittings (2 and 3) as shown below. At each junction, there is a hole through the side of the Fitting that lines up with the hole in the side of the Tube. Line up these holes on the inside of the structure and insert Self-tapping Screws (8), but tighten them only slightly at this time.



- Drape Tarp (7) over assembled frame and secure the corners (first) onto the frame using the Ball Tie Downs (4) as shown in 4A, B, and C, below.



- Once the corners are fastened, place the Ball Tie Downs through the balance of the metal eyelets as shown in the previous illustration, 4D.
- Lift one side of the roof and slide in four Steel Tubes (1). Line up the holes in the Tubes with the holes in the Fittings and insert Self-tapping Screws (8), but tighten them only slightly at this time. When complete, do the same to the other side. See illustration to the right.



6. Insert the Metal Base (5) onto each vertical leg.
7. Secure each Metal Base to the ground using the T-Stakes (6). Tighten all Self-tapping Screws (8) securely.

Maintenance

1. Periodically clean Tarp using mild soap and water.
2. Periodically disassemble and apply a light oil to the Steel Tubes to prevent rusting.

Parts List

| Item # | Description | Qty |
|--------|--------------------|-----|
| 1 | Steel Pipes | 25 |
| 2 | 3-way Pipe Fitting | 6 |
| 3 | 4-way Pipe Fitting | 6 |
| 4 | Ball Tie Down | 48 |
| 5 | Metal Base | 8 |
| 6 | T-stakes | 16 |
| 7 | Tarp | 1 |
| 8 | Self-tapping Screw | 42 |

PLEASE READ THE FOLLOWING CAREFULLY

THE MANUFACTURER AND/OR DISTRIBUTOR HAS PROVIDED THE PARTS DIAGRAM IN THIS MANUAL AS A REFERENCE TOOL ONLY. NEITHER THE MANUFACTURER NOR DISTRIBUTOR MAKES ANY REPRESENTATION OR WARRANTY OF ANY KIND TO THE BUYER THAT HE OR SHE IS QUALIFIED TO MAKE ANY REPAIRS TO THE PRODUCT OR THAT HE OR SHE IS QUALIFIED TO REPLACE ANY PARTS OF THE PRODUCT. IN FACT, THE MANUFACTURER AND/OR DISTRIBUTOR EXPRESSLY STATES THAT ALL REPAIRS AND PARTS REPLACEMENTS SHOULD BE UNDERTAKEN BY CERTIFIED AND LICENSED TECHNICIANS AND NOT BY THE BUYER. THE BUYER ASSUMES ALL RISK AND LIABILITY ARISING OUT OF HIS OR HER REPAIRS TO THE ORIGINAL PRODUCT OR REPLACEMENT PARTS THERETO, OR ARISING OUT OF HIS OR HER INSTALLATION OF REPLACEMENT PARTS THERETO.

Free Manuals Download Website

<http://myh66.com>

<http://usermanuals.us>

<http://www.somanuals.com>

<http://www.4manuals.cc>

<http://www.manual-lib.com>

<http://www.404manual.com>

<http://www.luxmanual.com>

<http://aubethermostatmanual.com>

Golf course search by state

<http://golfingnear.com>

Email search by domain

<http://emailbydomain.com>

Auto manuals search

<http://auto.somanuals.com>

TV manuals search

<http://tv.somanuals.com>