

**OneStopGardens**  
*By Harbor Freight Tools*

# MULTIPURPOSE GARDEN CART

**Model 91121**

## ASSEMBLY & OPERATING INSTRUCTIONS



3491 Mission Oaks Blvd., Camarillo, CA 93011  
**Visit our Web Site at [www.harborfreight.com](http://www.harborfreight.com)**

Copyright© 2004 by Harbor Freight Tools®. All rights reserved. No portion of this manual or any artwork contained herein may be reproduced in any shape or form without the express written consent of Harbor Freight Tools.

**For technical questions and replacement parts please call 1-800-444-3353.**

THANK YOU for choosing a **HARBOR FREIGHT TOOLS** product. For future reference, please complete the owner's record below:

**Model** \_\_\_\_\_ **Serial No.** \_\_\_\_\_ **Purchase Date** \_\_\_\_\_

SAVE THE RECEIPT, WARRANTY AND THESE INSTRUCTIONS. It is important that you read the entire manual to become familiar with the unit BEFORE you begin assembly.

#### **Technical Specifications**

**Material:** Formed low carbon steel, Baskets are green ABS plastic with a black foam rubber Hand Grip. Wheels are black ABS plastic.

#### **Dimensions:**

Open Frame: 19-1/2" L x 20-3/4" W x 40" H  
Closed Frame: 9-3/8" L x 20-3/4" W x 40" H  
Quick Lock/Unlock Mechanism: 5-1/2" L x 2-1/8" W x 1-1/2" –3-1/8" H  
Wheels: (2), 1-1/4" O.D. x 1-7/8" W with serrated notches.  
Weight Capacity: 50 LBS.  
Weight: 11 LBS.  
Will hold a 13 gallon plastic bag (not included)



***READ ALL INSTRUCTIONS BEFORE USING THIS PRODUCT!***

#### **Safety Warnings and Precautions**

**WARNING:** When using product, basic safety precautions should always be followed to reduce the risk of personal injury and damage to equipment.

#### **Read all instructions before using this product!**

1. **Keep work area clean.** Keep work area uncluttered and free of debris. Cluttered areas invite injury. Keep work area well lit.
2. **Check for damaged parts.** Before using any product, any part that appears damaged should be carefully checked to determine that it will operate properly and perform its intended function. Check for any broken or damaged parts and any other conditions that may affect its operation. Replace or repair damaged or worn parts immediately.
3. **Replacement parts and accessories.** When servicing, use only identical replacement parts. Use of any other parts will void the warranty.
4. **Always check hardware and assembled parts after assembling.** All connections should be tight and hardware tightened.
5. **Keep children away.** Children must never be allowed in the work area. Do not let children play with or handle this product.
6. **Store idle equipment.** When not in use always lock up the Garden Cart and keep it out of the reach of children.
7. **Dress properly.** Gloves and nonskid footwear are recommended when assembling the Garden Cart. Wear restrictive hair covering to contain long hair.
8. **Use eye protection.** Always wear ANSI approved impact safety goggles when assembling this product.

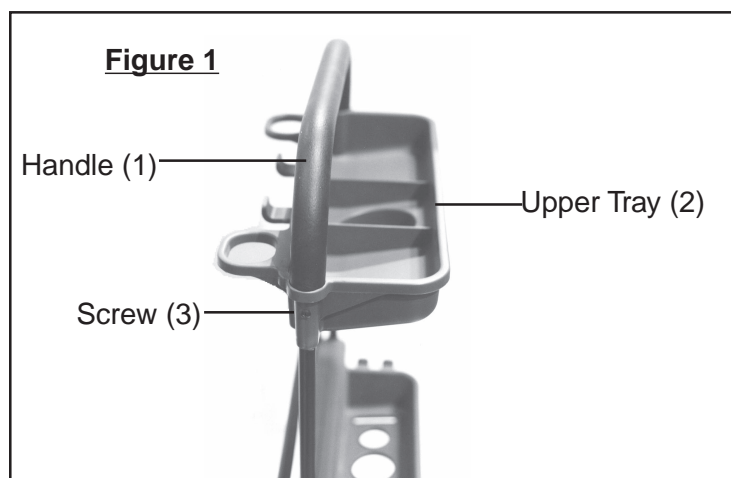
9. **Maintain products with care.** Keep the Multipurpose Garden Cart in a dry location. Do not expose it to prolonged sunlight or prolonged moisture.
10. **Do not exceed the maximum weight capacity.**
11. **Do not allow children to play on, stand upon or climb on the Garden Cart.** Adults should not lean on or use the Garden Cart as a seat.
12. **Keep plastic bags (not included) out of the reach of children and pets.** Beware that plastic trash bags (not included) used with the Garden Cart can be a hazard to children and pets. Plastic bags if used incorrectly can cause choking, suffocation and other injury.
13. **Do not overreach.** Keep proper footing and balance at all times.
14. **Use the right Garden Cart for the job.** Do not attempt to force a small Garden Cart to do the work of a larger Garden Cart. There are certain applications for which this Garden Cart was designed. Do not modify this Garden Cart and do not use this Garden Cart for a purpose for which it was not intended.
15. **Do not use or assemble the Garden Cart if under the influence of alcohol or drugs.** Read warning labels on prescriptions to determine if your judgement or reflexes are impaired while taking drugs. If there is any doubt, do not assemble or use the Garden Cart.
16. **Only use the Garden Cart on a flat, level and solid surface.** The surface must be able to support the Garden Cart, as well as any tools, accessories or debris that is stored on the Garden Cart.

**WARNING:** The warnings, cautions, and instructions discussed in this instruction manual cannot cover all possible conditions and situations that may occur. It must be understood by the operator that common sense and caution are factors which cannot be built into this product, but must be supplied by the operator.

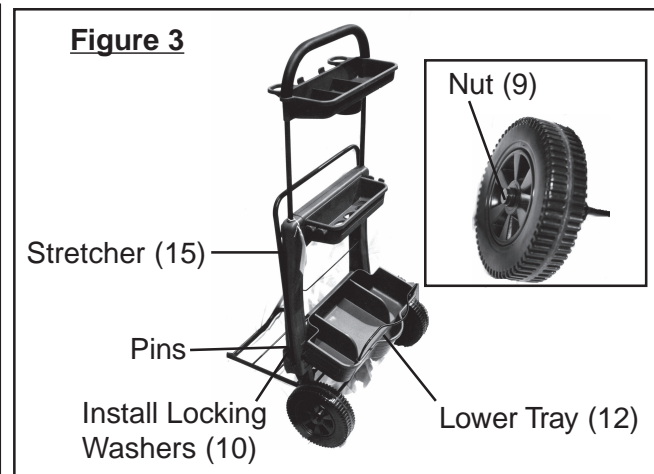
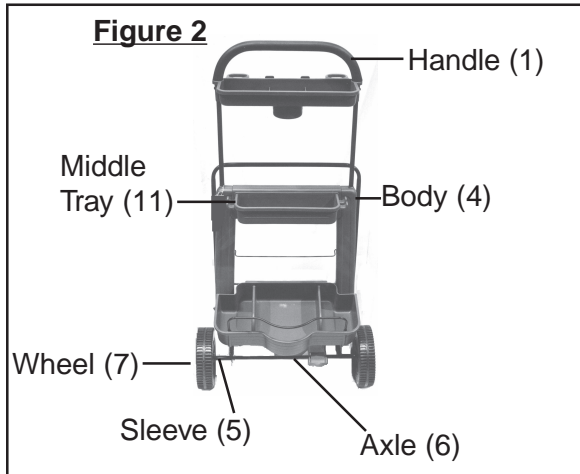
### Assembly/ Operation

Your Multi-Purpose Garden Cart will require complete assembly. It is important that you read the entire manual to become familiar with the product BEFORE you use the Multi-Purpose Garden Cart. Before assembling the Garden Cart be sure that you have all parts described in the Parts List and Assembly Diagram located on the last pages of this manual.

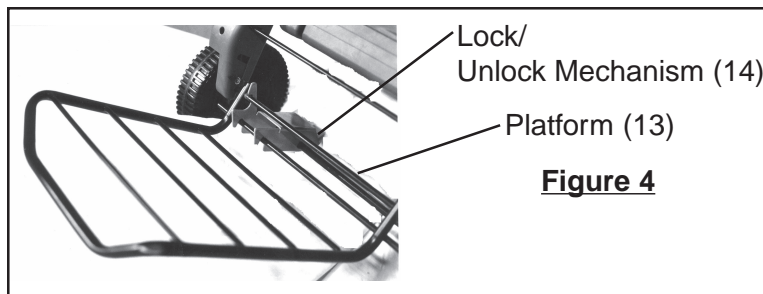
1. Insert the Handle (1) down through the Upper Tray (2)-see Figure 1. Insert one Screw (3) through each side of the Upper Tray (2) and into the Handle (1) as shown in Figure 1.



- Slide the Handle (1) down into the Body (4)-see Figure 2.



- Slide the Axle (6) through each of the eyelets located at each side on the bottom of the Body (4). Slide one Sleeve (5) onto each end of the Axle (6)-see Figure 2.
- Slide Wheel (7) over the Sleeve (5). Place Washer (8) on end of Axle (6) and thread on Nut (9) to secure Wheel (7) in place-see Figure 3 (insert). Repeat for second side of the Axle (7).
- Set the Stretcher (15) over the pins located on the sides of the Body (4) near its base-see Figure 3. Install Locking Washers (10) on each side to secure Stretcher (15) in place.
- Snap the Middle Tray (11) into place at the top of the Body (4) as shown in Figure 2.
- The Lower Tray (12) is to be installed at the bottom of the Body with part of it resting on the Platform (13)-see Figure 3. Place the hooks of the Lower Tray (12) over the bottom bar on the Body (4).
- The Garden Cart can now be used to carry and transport garden tools. Roll the Garden Cart to the desired location. Locate a solid, firm and level location that is capable of supporting the Garden Cart and its load. Fold out the Platform (13) so that the Platform (13) rests on the ground. Make certain that the Platform snaps into place and is secured by the Quick Lock/Unlock Mechanism (14)-see Figure 4. Be careful that tools being transported are positioned so that they will not fall out of the cart.
- The Garden Cart can hold a plastic bag (not included) for collection of trash and debris. Pull down on the Stretcher (15) until it is fully extended. Set a plastic Bag so that it rests over the Stretcher (15), and roll and tuck the inside of the plastic bag (not included) into the slots on the Body (4)-see Figure 5.



## Unpacking

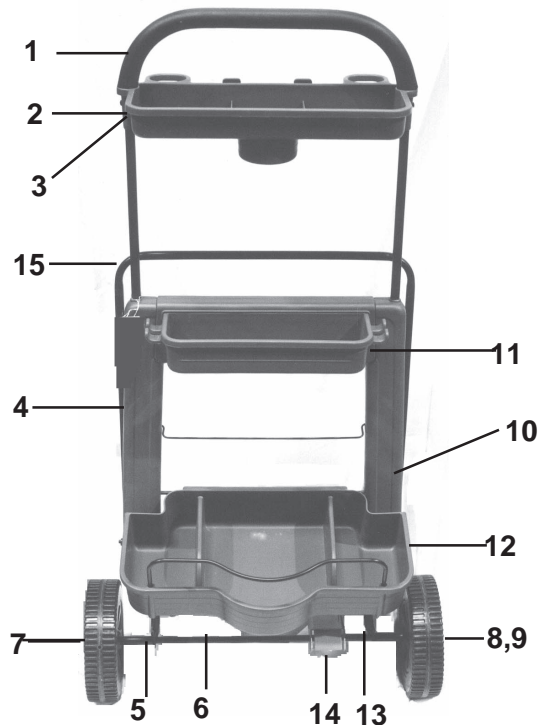
When unpacking the Multi-Purpose Garden Cart, check to make sure the following parts are included. If any parts are missing or broken, please call **HARBOR FREIGHT TOOLS** at **1-800-444-3353**.

## Parts List

Part #	Description	Quantity	Part #	Description	Quantity
1	Handle	1	10	Locking Washer	2
2	Upper Tray	1	11	Middle Tray	1
3	Screw	2	12	Lower Tray	1
4	Body	1	13	Platform	1
5	Sleeve	2	14	Quick Lock/Unlock Mechanism	1
6	Axle	1	15	Stretcher	1
7	Wheel	2			
8	Washer	2			
9	Nut	2			

Note: Some parts are listed and shown for illustration purposes only and are not available individually as replacement parts.

## Assembly/Parts Diagram



**PLEASE READ THE FOLLOWING CAREFULLY**

**THE MANUFACTURER AND/OR DISTRIBUTOR HAS PROVIDED THE PARTS DIAGRAM IN THIS MANUAL AS A REFERENCE TOOL ONLY. NEITHER THE MANUFACTURER NOR DISTRIBUTOR MAKES ANY REPRESENTATION OR WARRANTY OF ANY KIND TO THE BUYER THAT HE OR SHE IS QUALIFIED TO MAKE ANY REPAIRS TO THE PRODUCT OR THAT HE OR SHE IS QUALIFIED TO REPLACE ANY PARTS OF THE PRODUCT. IN FACT, THE MANUFACTURER AND/OR DISTRIBUTOR EXPRESSLY STATES THAT ALL REPAIRS AND PARTS REPLACEMENTS SHOULD BE UNDERTAKEN BY CERTIFIED AND LICENSED TECHNICIANS AND NOT BY THE BUYER. THE BUYER ASSUMES ALL RISK AND LIABILITY ARISING OUT OF HIS OR HER REPAIRS TO THE ORIGINAL PRODUCT OR REPLACEMENT PARTS THERETO, OR ARISING OUT OF HIS OR HER INSTALLATION OF REPLACEMENT PARTS THERETO.**

## Free Manuals Download Website

<http://myh66.com>

<http://usermanuals.us>

<http://www.somanuals.com>

<http://www.4manuals.cc>

<http://www.manual-lib.com>

<http://www.404manual.com>

<http://www.luxmanual.com>

<http://aubethermostatmanual.com>

Golf course search by state

<http://golfingnear.com>

Email search by domain

<http://emailbydomain.com>

Auto manuals search

<http://auto.somanuals.com>

TV manuals search

<http://tv.somanuals.com>