

U.S. General

®

STEEL TRAILER TONGUE BOX

Model 65439

INSTALLATION INSTRUCTIONS



Distributed exclusively by Harbor Freight Tools®.

3491 Mission Oaks Blvd., Camarillo, CA 93011

Visit our website at: <http://www.harborfreight.com>



**Read this material before using this product.
Failure to do so can result in serious injury.
SAVE THIS MANUAL.**

Copyright© 2008 by Harbor Freight Tools®. All rights reserved. No portion of this manual or any artwork contained herein may be reproduced in any shape or form without the express written consent of Harbor Freight Tools. Diagrams within this manual may not be drawn proportionally. Due to continuing improvements, actual product may differ slightly from the product described herein. Tools required for assembly and service may not be included.

For technical questions or replacement parts, please call 1-800-444-3353.

SAVE THIS MANUAL

Keep this manual for the safety warnings and precautions. Keep this manual and the receipt in a safe and dry place for future reference.

IMPORTANT SAFETY INSTRUCTIONS

1. Wear ANSI-approved safety goggles and heavy-duty work gloves during installation.
2. Inspect before every use; do not use if parts loose or damaged. Verify that trailer box is attached securely to trailer before moving trailer.
3. Verify that installation surface has no hidden utility lines before drilling.
4. Lock trailer box before transporting.
5. Install according to manual instructions only.
6. Use for intended purpose only.
7. Additional safeguards may be required by law. Consult your local Department of Motor Vehicles (DMV) for local regulations that apply. Use in full accordance with all ordinances.

Specifications

Construction	Formed Sheet Steel
Box Thickness	.079"

UNPACKING

When unpacking, make sure that the item is intact and undamaged. If any parts are missing or broken, please call Harbor Freight Tools at the number shown on the cover of this manual as soon as possible.

INSTALLATION

Read the **ENTIRE IMPORTANT SAFETY INFORMATION** section at the beginning of this document including all text under subheadings therein before installing this product.



WARNING:

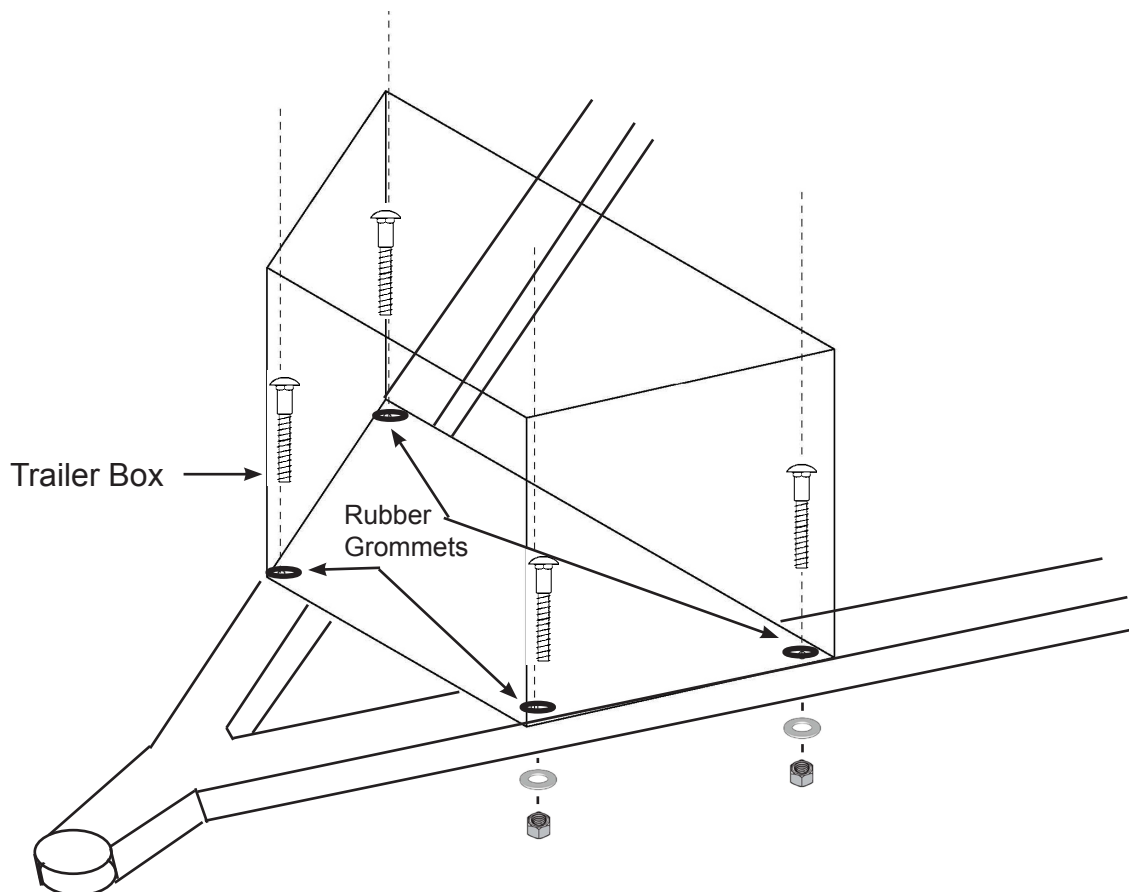
To prevent serious injury and/or property damage: Do not attempt to install this product if you are not comfortable and skilled at doing this type of work. This is a custom installed product that requires precise measurements and drilling that is unique to each trailer's design and size. Therefore we recommend that you use an experienced qualified professional installer to install and then inspect the fabrication and final installation of the work.



"A" Frame Tongue Installation Instructions

NOTE: None of the mentioned fasteners are supplied with this item.

1. Measure the width of the trailer tongue on which the Steel Box is to be mounted. Mark the inside of the box at 1-1/2" to 2" from front and back of the box inner side and about 2/3rd of the Tongue width from the sides of the box. Punch drill locator guides with a center punch.
2. Drill a 1/8" guide hole at one location. Position the Steel Box on the Tongue and mark the chassis through the drilled hole. Remove the box and make sure that the marked position on the chassis is in an appropriate location, keeping in mind that you would be drilling 1/4" hole in that position.
3. Repeating the above mentioned steps, mark the remaining three spots and verify their proper location on the chassis.
4. In the bottom of the Steel Box drill four 17/64" holes and remove metal shavings. Attach a 1/4" rubber grommet (not supplied), to each hole.
5. Make sure that there are no hidden electrical wires or conduits below the marked spots and drill a 1/4" hole at each location on the chassis. Clean all metal shavings.
6. Reposition the Box over the tongue aligning the drilled holes.
7. Insert a 1/4" carriage bolt through a 1/4" flat washer and pass it through the grommet and into the drilled hole in the trailer tongue. Attach a flat washer and attach a 1/4" locking nut (do not tighten at this time). Continue with the other three locations. Secure all four nuts tightly. See illustration below.



Optional Tongue Mount Installation Instructions

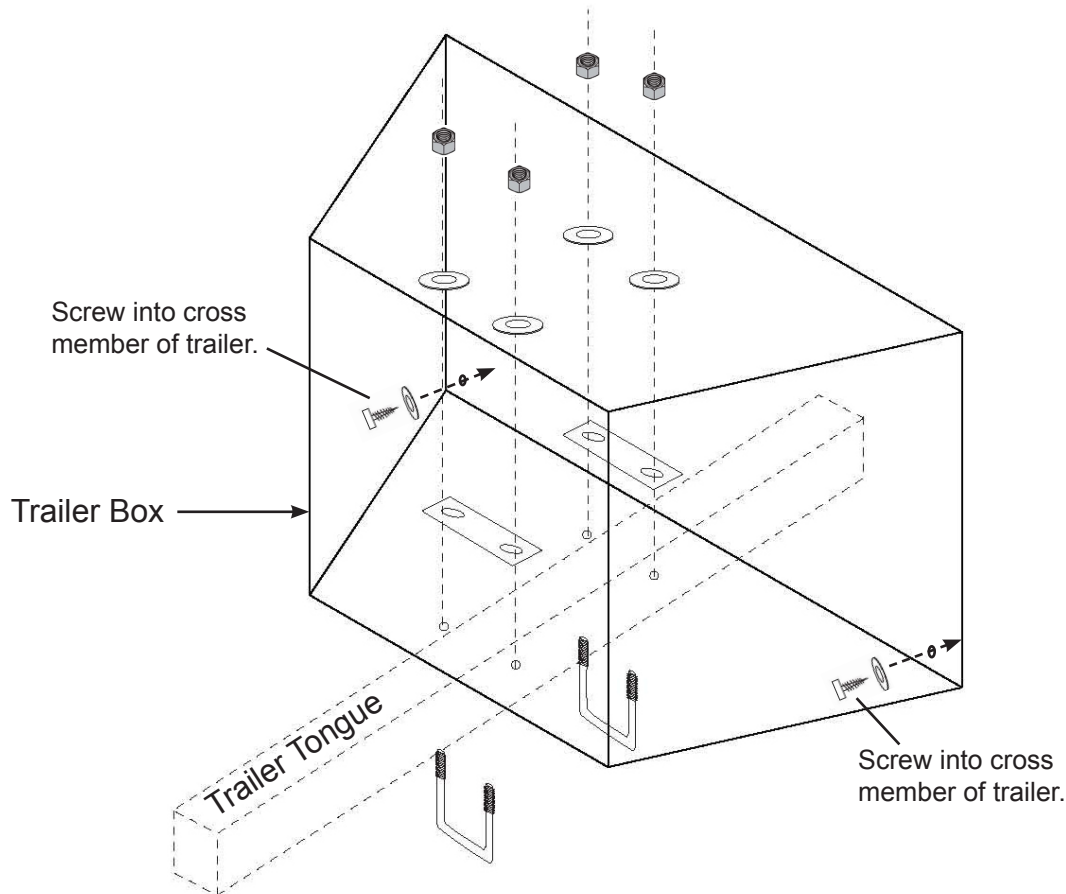
NOTE: None of the mentioned fasteners are supplied with this item.

1. Set the trailer box on the trailer tongue, and position it where you want to mount it. See illustration below.
2. To mark the hole location in the trailer box, place masking under the box in the location where the U-bolts will go through the box. Put ink on the tips of each U-bolt and press it into position marking the tape under the trailer box.
3. Turn the trailer box upside down and drill out the holes.

NOTE: Drill the holes the same diameter as the bolt diameter.

4. Secure the Trailer box to the Trailer Tongue using at least two U-bolts and other hardware shown in illustration below. Lock nuts are recommended for this installation. Do not tighten the nuts yet.
5. Slide the box against a cross member on the trailer. Attach the back of the trailer box to it using sheet metal screws or bolts and nuts. Tighten all of the bolts and screws.

WARNING: You must secure the back of the box to a cross member of the trailer to assure that the box will not twist while on the road.



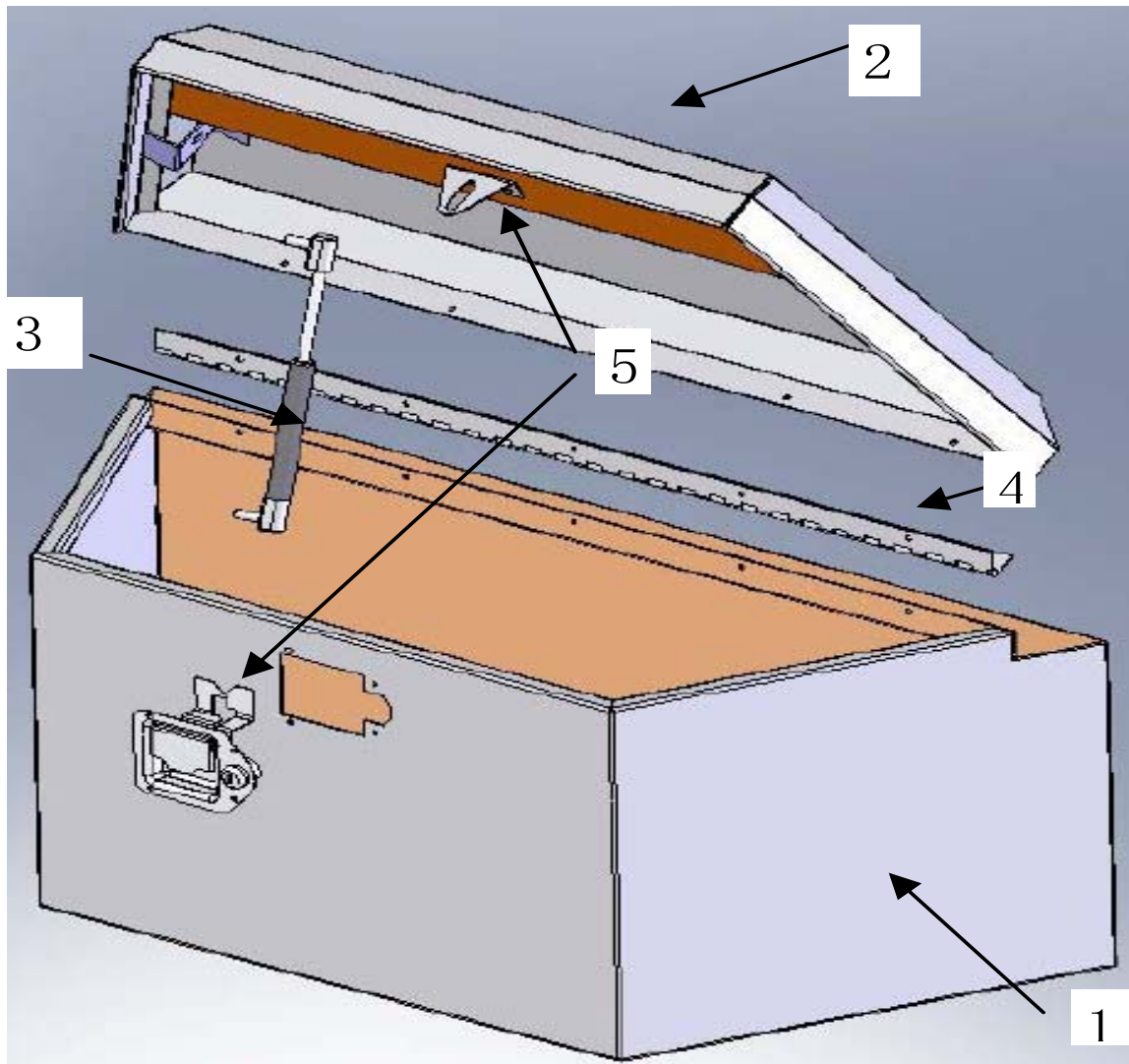
PARTS LIST AND ASSEMBLY DIAGRAM

Part	Description	Qty.
1	Tongue Box Body	1
2	Lid	1
3	Gas Shock	1
4	Piano Hinge	1
5	Latch With Lock	1
6	Keys (not shown)*	2

*Record Your Lock and Key Number Here: _____

IMPORTANT: Contact customer service at: 1-800-444-3353 to purchase additional keys. You need the number that is stamped into your trailer box lock to order the correct key,

NOTE: Some parts are listed and shown for illustration purposes only, and are not available individually as replacement parts.



PLEASE READ THE FOLLOWING CAREFULLY

THE MANUFACTURER AND/OR DISTRIBUTOR HAS PROVIDED THE PARTS LIST AND ASSEMBLY DIAGRAM IN THIS MANUAL AS A REFERENCE TOOL ONLY. NEITHER THE MANUFACTURER OR DISTRIBUTOR MAKES ANY REPRESENTATION OR WARRANTY OF ANY KIND TO THE BUYER THAT HE OR SHE IS QUALIFIED TO MAKE ANY REPAIRS TO THE PRODUCT, OR THAT HE OR SHE IS QUALIFIED TO REPLACE ANY PARTS OF THE PRODUCT. IN FACT, THE MANUFACTURER AND/OR DISTRIBUTOR EXPRESSLY STATES THAT ALL REPAIRS AND PARTS REPLACEMENTS SHOULD BE UNDERTAKEN BY CERTIFIED AND LICENSED TECHNICIANS, AND NOT BY THE BUYER. THE BUYER ASSUMES ALL RISK AND LIABILITY ARISING OUT OF HIS OR HER REPAIRS TO THE ORIGINAL PRODUCT OR REPLACEMENT PARTS THERETO, OR ARISING OUT OF HIS OR HER INSTALLATION OF REPLACEMENT PARTS THERETO.

LIMITED 90 DAY WARRANTY

Harbor Freight Tools Co. makes every effort to assure that its products meet high quality and durability standards, and warrants to the original purchaser that this product is free from defects in materials and workmanship for the period of 90 days from the date of purchase. This warranty does not apply to damage due directly or indirectly, to misuse, abuse, negligence or accidents, repairs or alterations outside our facilities, criminal activity, improper installation, normal wear and tear, or to lack of maintenance. We shall in no event be liable for death, injuries to persons or property, or for incidental, contingent, special or consequential damages arising from the use of our product. Some states do not allow the exclusion or limitation of incidental or consequential damages, so the above limitation of exclusion may not apply to you. THIS WARRANTY IS EXPRESSLY IN LIEU OF ALL OTHER WARRANTIES, EXPRESS OR IMPLIED, INCLUDING THE WARRANTIES OF MERCHANTABILITY AND FITNESS.

To take advantage of this warranty, the product or part must be returned to us with transportation charges prepaid. Proof of purchase date and an explanation of the complaint must accompany the merchandise. If our inspection verifies the defect, we will either repair or replace the product at our election or we may elect to refund the purchase price if we cannot readily and quickly provide you with a replacement. We will return repaired products at our expense, but if we determine there is no defect, or that the defect resulted from causes not within the scope of our warranty, then you must bear the cost of returning the product.

This warranty gives you specific legal rights and you may also have other rights which vary from state to state.

3491 Mission Oaks Blvd. • PO Box 6009 • Camarillo, CA 93011 • (800) 444-3353

Free Manuals Download Website

<http://myh66.com>

<http://usermanuals.us>

<http://www.somanuals.com>

<http://www.4manuals.cc>

<http://www.manual-lib.com>

<http://www.404manual.com>

<http://www.luxmanual.com>

<http://aubethermostatmanual.com>

Golf course search by state

<http://golfingnear.com>

Email search by domain

<http://emailbydomain.com>

Auto manuals search

<http://auto.somanuals.com>

TV manuals search

<http://tv.somanuals.com>