

4 TIER STOCKER SERVICE CART

Model 90160

ASSEMBLY AND OPERATING INSTRUCTIONS



3491 Mission Oaks Blvd., Camarillo, CA 93011
Visit our Web site at <http://www.harborfreight.com>

Copyright © 2003 by Harbor Freight Tools®. All rights reserved. No portion of this manual or any artwork contained herein may be reproduced in any shape or form without the express written consent of Harbor Freight Tools.

For technical questions and replacement parts, please call 1-800-444-3353

Specifications

Weight Capacity	450 Lbs. Overall (if evenly distributed), 112 Lbs. Per Shelf
Overall Dimensions	60" H x 39" L x 24-1/8" W
Tray Dimensions	35-1/8" x 22-7/8" (Inside)
Castors (4)	5" x 1-3/4" - (2 Swivel Castors)

Save This Manual

You will need the manual for the safety warnings and precautions, assembly instructions, operating and maintenance procedures, parts list and diagram. Keep your invoice with this manual. Write the invoice number on the inside of the front cover. Keep the manual and invoice in a safe and dry place for future reference.

Safety Warnings and Precautions

WARNING: When using product, basic safety precautions should always be followed to reduce the risk of personal injury and damage to equipment.

Read all instructions before using this product!

1. **Keep work area clean.** Cluttered areas invite injuries.
2. **Observe work area conditions.** Don't expose to rain. Keep work area well lighted.
3. **Keep children away.** Children must never be allowed in the work area. Do not let them play with or ride on the Cart.
4. **Store idle equipment.** When not in use, the Cart must be stored in a dry location to inhibit rust.
5. **Use the right product for the job.** Do not attempt to force a small Cart to do the work of a larger industrial Cart. There are certain applications for which this Cart was designed. It will do the job better and more safely at the rate for which it was intended. Do not modify this Cart and do not use this Cart for a purpose for which it was not intended.
6. **Dress properly.** Do not wear loose clothing or jewelry as they can be caught in moving parts. Protective, electrically non-conductive clothes and non-skid footwear are recommended when working. Wear restrictive hair covering to contain long hair.
7. **Use eye protection.** Always wear ANSI approved impact safety goggles during assembly.
8. **Do not overreach.** Keep proper footing and balance at all times.

9. **Maintain products with care.** Keep the Cart clean for better and safer performance. The handle must be kept clean, dry, and free from oil and grease at all times.
10. **Stay alert.** Watch what you are doing, use common sense. Do not operate the Cart when you are tired.
11. **Check for loose and damaged parts.** Before using the Cart, any part that appears damaged should be carefully checked to determine that it will operate properly and perform its intended function. Check for alignment and binding of moving parts; any broken parts or mounting fixtures; and any other condition that may affect proper operation. Any part that is damaged should be properly repaired or replaced by a qualified technician.
12. **Replacement parts and accessories.** When servicing, use only identical replacement parts. Use of any other parts will void the warranty.
13. **Do not operate the Cart if under the influence of alcohol or drugs.** Read warning labels if taking prescription medicine to determine if your judgment or reflexes are impaired while taking drugs. If there is any doubt, do not operate the Cart.
14. **Maintenance.** For your safety, service and maintenance should be performed regularly by a qualified technician.
15. **Operate and store the Cart on a flat, dry, level surface.**

Warning! Do not exceed the Service Cart's maximum capacity of 450 Lbs.

Warning! Weight on all four of the Trays must be evenly distributed and balanced for safety.

Warning: The warnings, cautions, and instructions discussed in this instruction manual cannot cover all possible conditions and situations that may occur. It must be understood by the operator that common sense and caution are factors which cannot be built into this product, but must be supplied by the operator.

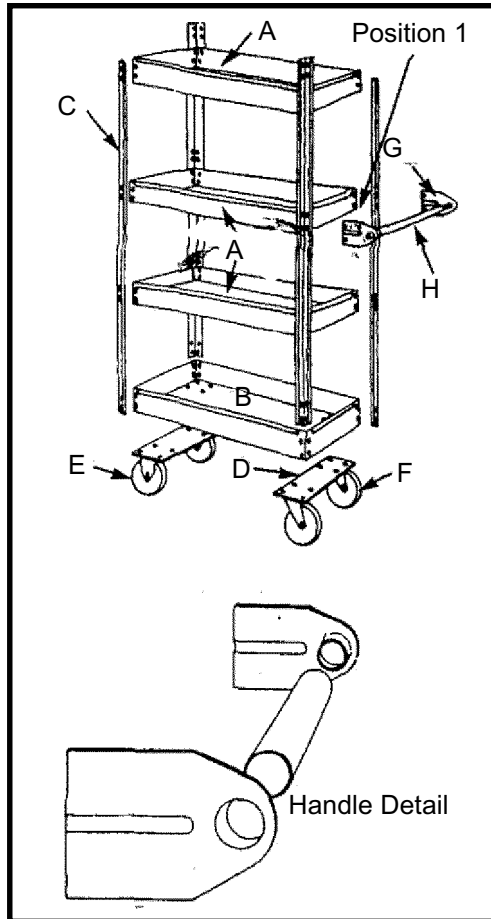
Unpacking

When unpacking, check to make sure the parts listed on page 6 are included. If any parts are missing or broken, please call Harbor Freight Tools at the number on the cover of this manual as soon as possible.

Assembly

While following the assembly instructions on page 5, use the three **FIGURES** below and the Assembly Drawing on page 7.

FIGURE 1

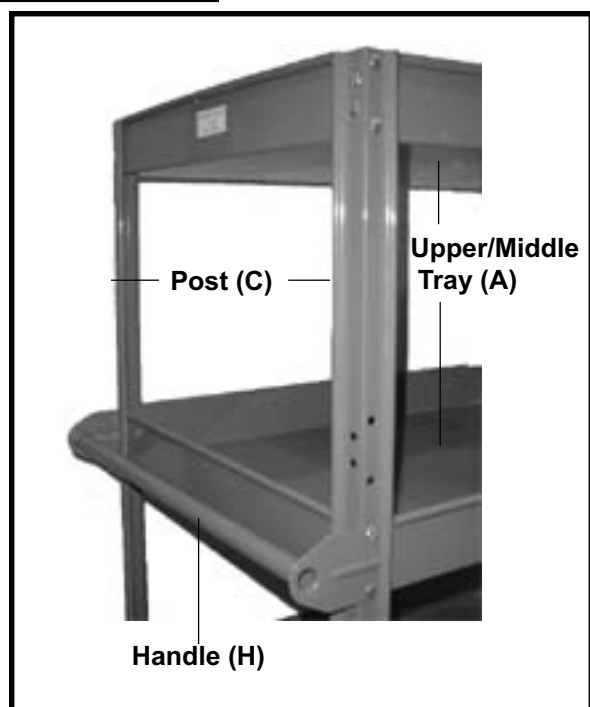


Note: Part Names are listed on page 6.

FIGURE 2



FIGURE 3



Assembly (continued)

Note: You will need a 7/16" open end wrench and a flat screwdriver (both not included).

Refer to **FIGURES 1, 2, & 3**, on page four and the Assembly Drawing on page 7.

1. Bolt the **Bottom Tray (B)** to all four **Posts (C)** using (16) 1/4-20 x 1/2" machine screws and nuts.
2. Working your way up the **Posts (C)** from the bottom, attach the two middle **Upper/Middle Trays (A)** to the posts using (16) 1/4-20 x 1/2" machine screws and nuts per tray. Do not attach two of the bolts on each side for the Handle. See "Position 1" in **FIGURE 1** on page 4.
3. Bolt the Upper, **Upper/Middle Tray (A)** to the **Posts (C)** using (16) 1/4-20 x 1/2" machine screws and nuts.

Note: When mounting the Castors (next step) make sure the **Swivel Castors (F)** are mounted on the same side as the Handle.

4. Referring to the Detail insert on the Assembly Drawing on page 7 and **FIGURE 2**), place one of the **Castor Mounting Plates (D)** between the Castor Plate (**FIGURE 2**) and the **Bottom Tray (B)**. Hold one of the **Swivel Castors (F)** so that the holes match up and attach with (16) 1/4-20 x 1/2" machine screws, (16) split washers, and (16) nuts (see the Detail insert on the Assembly Drawing on page 7 and **FIGURE 2**). Repeat with the other **Swivel Castor (F)** making sure it is on the same side as the Handle will be.
5. Mount the two **Rigid Castors (E)** on the opposite side using the same instructions above in number 4.
6. At "Position 1" in **FIGURE 1** on page 4, bolt one **Handle Bracket (G)** through the **Post (C)** and the **Upper/Middle Tray (A)** and secure it using 1/4-20 x 1/2" machine screws and nuts. (See Handle Detail in **FIGURE 1**).
7. Insert the **Handle Tube (H)** in the attached **Handle Bracket (G)**. Then, place the second **Handle Bracket (G)** onto the **Handle Tube (H)** and bolt to the other side of the **Post (C)** and the **Upper/Middle Tray (A)** and secure it using 1/4-20 x 1/2" machine screws and nuts.
8. Tighten all nuts and bolts.

Operation

For maximum safety:

1. Do not exceed the weight capacities listed in the Specifications chart on page 2.
2. Do not allow children or pets to ride on the Cart.
3. Only operate and park the Cart on flat, dry, level surfaces.
4. This Cart was designed to be pushed by an operator, walking slowly behind the unit. Make sure the **Swivel Castors (F)** are on the same side as the Handle.

Warning! Weight on all four of the Trays must be evenly distributed and balanced.

Parts List

Part No.	Description	Qty.
A	Upper/Middle Tray	3
B	Bottom Tray	1
C	Post	4
D	Castor Mounting Plate	2
E	Rigid Castor	2
F	Swivel Castor	2
G	Handle Bracket	2
H	Handle Tube	1
I	Hardware Package	1

Maintenance

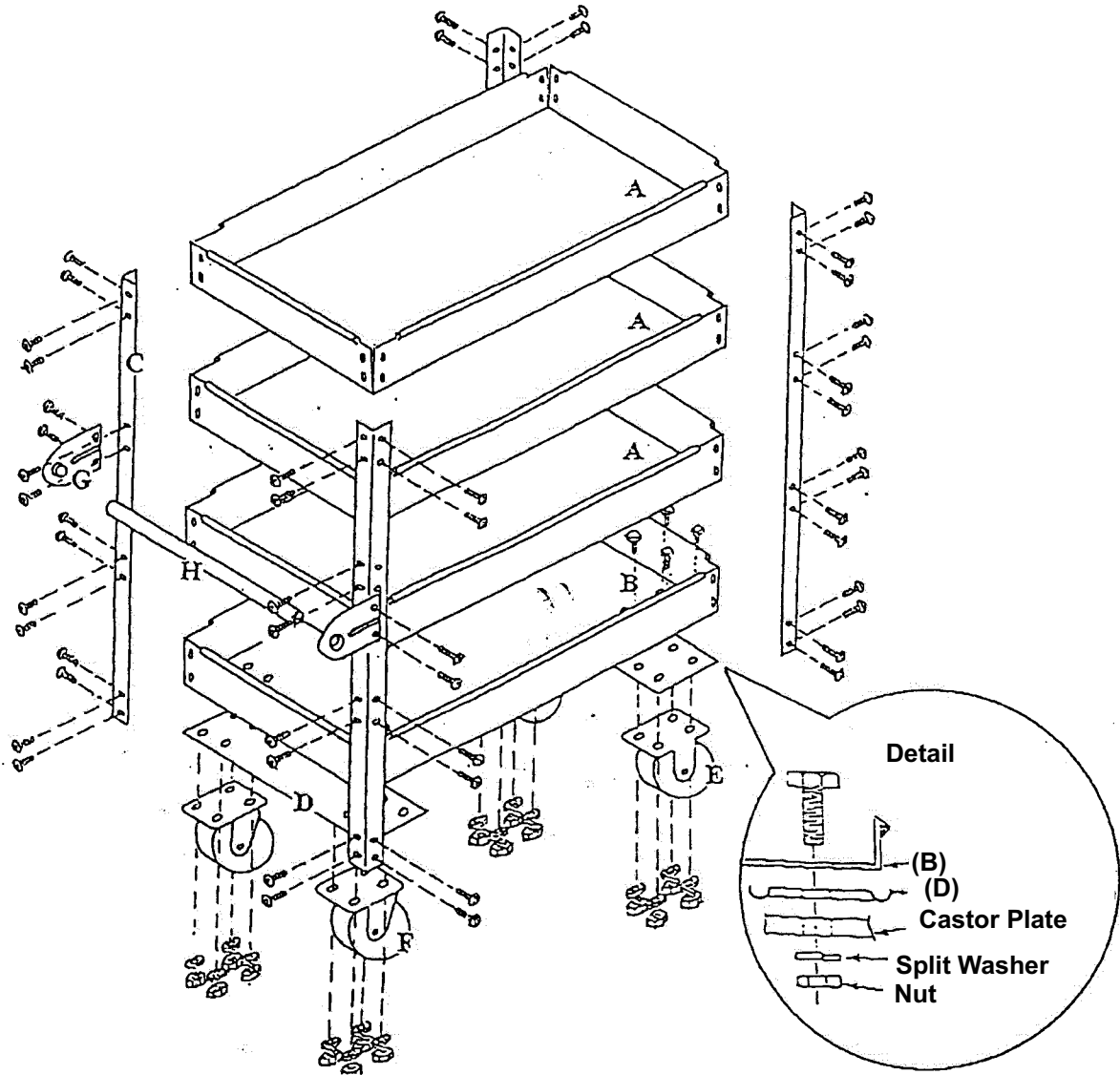
1. Periodically tighten all of the hardware.
2. Make sure the castors are free of all dirt, debris, or grease.

PLEASE READ THE FOLLOWING CAREFULLY

THE MANUFACTURER AND/OR DISTRIBUTOR HAS PROVIDED THE PARTS DIAGRAM IN THIS MANUAL AS A REFERENCE TOOL ONLY. NEITHER THE MANUFACTURER NOR DISTRIBUTOR MAKES ANY REPRESENTATION OR WARRANTY OF ANY KIND TO THE BUYER THAT HE OR SHE IS QUALIFIED TO MAKE ANY REPAIRS TO THE PRODUCT OR THAT HE OR SHE IS QUALIFIED TO REPLACE ANY PARTS OF THE PRODUCT. IN FACT, THE MANUFACTURER AND/OR DISTRIBUTOR EXPRESSLY STATES THAT ALL REPAIRS AND PARTS REPLACEMENTS SHOULD BE UNDERTAKEN BY CERTIFIED AND LICENSED TECHNICIANS AND NOT BY THE BUYER. THE BUYER ASSUMES ALL RISK AND LIABILITY ARISING OUT OF HIS OR HER REPAIRS TO THE ORIGINAL PRODUCT OR REPLACEMENT PARTS THERETO, OR ARISING OUT OF HIS OR HER INSTALLATION OF REPLACEMENT PARTS THERETO.

NOTE: Some parts are listed and shown for illustration purposes only and are not available individually as replacement parts.

Assembly Drawing



Free Manuals Download Website

<http://myh66.com>

<http://usermanuals.us>

<http://www.somanuals.com>

<http://www.4manuals.cc>

<http://www.manual-lib.com>

<http://www.404manual.com>

<http://www.luxmanual.com>

<http://aubethermostatmanual.com>

Golf course search by state

<http://golfingnear.com>

Email search by domain

<http://emailbydomain.com>

Auto manuals search

<http://auto.somanuals.com>

TV manuals search

<http://tv.somanuals.com>