

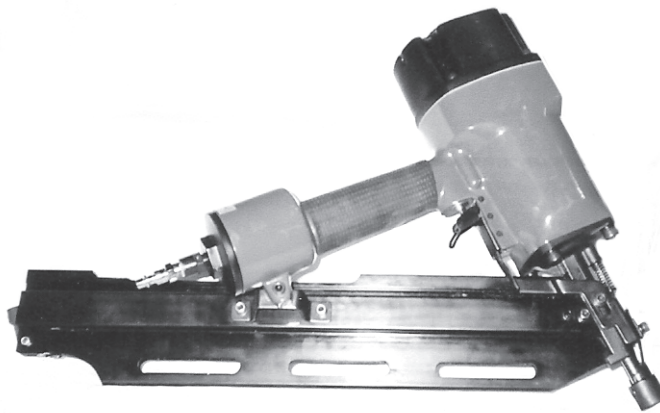


FRAMING NAILER

28 DEGREE - FULL CLIP

Model 93760

ASSEMBLY AND OPERATING INSTRUCTIONS



(Due to continuing improvements, actual product may differ slightly from the product described herein.)



3491 Mission Oaks Blvd., Camarillo, CA 93011
Visit our Web site at: <http://www.harborfreight.com>

**TO PREVENT SERIOUS INJURY,
READ AND UNDERSTAND ALL WARNINGS
AND INSTRUCTIONS BEFORE USE.**

Copyright® 2006 by Harbor Freight Tools®. All rights reserved. No portion of this manual or any artwork contained herein may be reproduced in any shape or form without the express written consent of Harbor Freight Tools.

For technical questions, please call 1-800-444-3353.

PRODUCT SPECIFICATIONS

Item	Description
Nail Capacity	2-3/16" to 3-9/16" Long x 8 to 10 Gauge / Paper, Plastic, and Wire Collated
Magazine Capacity	Up to 90 Nails Per Load
Magazine Angle	28°
Operating PSI	125 PSI Maximum *
Required CFM	12 CFM @ 90 PSI
Air Inlet Size	1/4"-18 NPT
Air Inlet Screen	20 Mesh
Included Accessories	Goggles (Qty. 1) / Tool Oil (Qty. 1) / Hex Wrenches (Qty. 4) Carrying Case (Qty. 1)
Included Nails	0.113" Diameter x 2-1/2" Long, Paper Collated, Clip Head Nails (Qty.100) 0.131" Diameter x 3" Long, Wire Collated, Full Head Nails (Qty.102)
Additional Features	Full Sequential Firing Safety Mechanism / 360° Adjustable Exhaust
Net Weight	8.5 Pounds

*The air pressure setting must not exceed job site regulations/restrictions. The air pressure setting must not exceed 90 PSI when being used with work pieces that have a thickness of less than 1-3/4".

SAVE THIS MANUAL

You will need this manual for the safety warnings and precautions, assembly, operating, inspection, maintenance and cleaning procedures, parts list and assembly diagram. Keep your invoice with this manual. Write the invoice number on the inside of the front cover. Keep this manual and invoice in a safe and dry place for future reference.

SAFETY WARNINGS AND PRECAUTIONS



WARNING: When using tool, basic safety precautions should always be followed to reduce the risk of personal injury and damage to equipment. **Read all instructions before using this tool!**


1. **Keep work area clean.** Cluttered areas invite injuries.
2. **Observe work area conditions.** Do not use machines or power tools in damp or wet locations. Do not expose to rain. Keep work area well lit. Do not use electrically powered tools in the presence of flammable gases or liquids.
3. **Keep children away.** Children must never be allowed in the work area. Do not let them handle machines, tools, extension cords, or air hoses.
4. **Store idle equipment.** When not in use, tools must be stored in a dry location to inhibit rust. Always lock up tools and keep out of reach of children.
5. **Use the right tool for the job.** Do not attempt to force a small tool or attachment to do the work of a larger industrial tool. There are certain applications for which this tool was designed. It will do the job better and more safely at the rate for which it was intended. Do not modify this tool, and do not use this tool for a purpose for which it was not intended.

REV 11/06, 01/07

6. **Dress properly.** Do not wear loose clothing or jewelry as they can be caught in moving parts. Protective, electrically non-conductive clothes and non-skid footwear are recommended when working. Wear restrictive hair covering to contain long hair.
7. **Do not overreach.** Keep proper footing and balance at all times. Do not reach over or across running machines or air hoses.
8. **Use eye and ear protection.** Always wear ANSI approved impact safety goggles and appropriate hearing protection. Wear a full face shield if you are producing metal filings or wood chips. Wear an ANSI approved dust mask or respirator when working around metal, wood, and chemical dusts and mists. Other people in the work area must also wear ANSI approved impact safety goggles.
9. **Maintain tools with care.** Keep tools clean for better and safer performance. Follow instructions for lubricating and changing accessories. Inspect tool cords and air hoses periodically and, if damaged, have them repaired by an authorized technician. The handle must be kept clean, dry, and free from oil and grease at all times. Do not operate a tool if any portion of the tool's operating controls are inoperable, disconnected, altered, or not working properly.
10. **Disconnect air hose and release any built-up air pressure.** Never service the Nailer, clear jams, or disassemble with the air hose attached. Always release any built-up air even after disconnecting hose. Disconnect the Nailer when not in use.
11. **Remove adjusting wrenches.** Check that adjusting wrenches are removed from the tool or machine work surface before attaching to an air source.
12. **Avoid unintentional starting.** Be sure the trigger is in the OFF position when not in use and before plugging in. Do not carry any tool with your finger on the trigger, whether it is attached to an air source or not. Do not point the tool towards yourself or anyone whether it contains nails or not.
13. **Stay alert.** Watch what you are doing. Use common sense. Do not operate any tool when you are tired.
14. **Check for damaged parts.** Before using any tool, any part that appears damaged should be carefully checked to determine that it will operate properly and perform its intended function. Check for alignment and binding of moving parts, any broken parts or mounting fixtures, and any other condition that may affect proper operation. Any part that is damaged should be properly repaired or replaced by a qualified technician. Do not use the tool if the trigger does not operate properly.

15. **Guard against electric shock.** Prevent body contact with grounded surfaces such as pipes, radiators, ranges, and refrigerator enclosures.
16. **Replacement parts and accessories.** This product is to be repaired and serviced only by a qualified technician. When this product is serviced, only identical replacement parts should be used. Use of any other parts will void the warranty. Only use accessories intended for use with this tool. Approved accessories are available from Harbor Freight Tools.
17. **Do not operate tool if under the influence of alcohol or drugs.** Read warning labels if taking prescription medicine to determine if your judgement or reflexes are impaired while taking drugs. If there is any doubt, do not operate the tool.
18. **Use proper size and type extension cord.** If an extension cord is required, it must be of the proper size and type to supply the correct current to the compressor without heating up. Otherwise, the extension cord could melt and catch fire, or cause electrical damage to the tool. Check your air compressor's manual for the appropriate size cord. It is also possible that the use of an extension cord may cause your circuit breaker to trip or your panel fuse to break. If this happens, either use the compressor without an extension cord or find a larger amperage circuit to use.
19. **Maintenance.** The maintenance outlined in the "Maintenance" section should be performed regularly. For your safety, this product should be serviced or repaired regularly only by a qualified technician.
20. **Compressed air only.** Use clean, dry, regulated, compressed air at 90 PSI. Never use oxygen, carbon dioxide, combustible gases, or any other bottled gases a power source for this tool.
21. **Do not load nails with the trigger or safety depressed.** Unintentional firing may occur. Do not load nails when the air hose is connected to the tool. Always assume the tool contains nails.
22. **Disconnect air supply before loading the Nailer.** Before reloading (or making any adjustments to) the Nailer, make sure the compressed air is disconnected.
23. **Fire nails into an appropriate work surface only.** Do not attempt to fire nails into surfaces too hard to penetrate. Do not drive nails on top of other nails, or at too steep an angle. Nails can ricochet, causing personal injury. Never fire the Nailer into the air, or point it toward yourself or another person. Always wear ANSI approved impact safety goggles during use, maintenance, and reloading.
24. **Do not fire nails too close to the edge of a workpiece.** They may split the workpiece and fly free, causing personal injury.


25. **Take caution, as some woods contain preservatives such as copper chromium arsenate (CCA) which can be toxic.** When nailing these materials extra care should be taken to avoid inhalation and minimize skin contact.

 **WARNING:** Some dust created by power sanding, sawing, grinding, drilling, and other construction activities contain chemicals known (to the State of California) to cause cancer, birth defects, or other reproductive harm.

Some examples of these chemicals are:

- * Lead from lead-based paints,
- * Crystalline silica from bricks, cement, and other masonry products,
- * Arsenic and chromium from chemically treated lumber.

(California Health & Safety Code 25249.5, et seq.)

26. **Stay within air pressure capacity.** Never operate the Nailer above 125 PSI.
27. **Hold tool away from head and body.** During operation the Nailer may kick back, causing injury.
28. **Transport Nailer safely.** Always disconnect air supply when moving the tool in the workplace. Carry the tool by the handle to avoid contact with the trigger.
29. **Avoid working alone.** If an accident happens, an assistant can bring help.
30. **Note:** Performance of the compressor (if powered by line voltage) may vary depending on variations in local line voltage. Extension cord usage may also affect the tool performance.
31.  **WARNING:** The warnings, cautions, and instructions discussed in this instruction manual cannot cover all possible conditions and situations that may occur. It must be understood by the operator that common sense and caution are factors which cannot be built into this product, but must be supplied by the operator.

SAVE THESE INSTRUCTIONS

UNPACKING

When unpacking, check to make sure that all accessories **listed on page 12** are included, and the product is intact and undamaged. If any parts are missing or broken, please call Harbor Freight Tools at the number shown on the cover of this manual as soon as possible.

Rev 11/06

SKU 93760

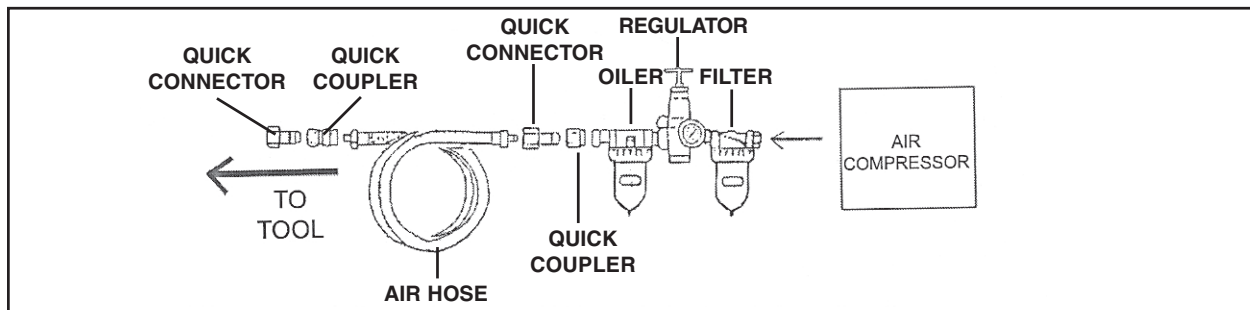
For technical questions, please call 1-800-444-3353

PAGE 5

OPERATION

For best service, you should incorporate an oiler, regulator, and in-line filter as shown in the diagram below. Hoses, couplers, oilers, regulators, and filters are all available at Harbor Freight Tools.

NOTE: If you are not using an automatic oiler system, before operation, add a few drops of Tool Oil (89) to the airline connection. Add a few drops more after each hour of continual use.



TESTING THE FULL SEQUENTIAL SAFETY TRIP MECHANISM

⚠ WARNING: Even though the Nailer should be empty during this procedure, ALWAYS point the Nailer at a piece of scrap wood when testing.

1. Make sure the tool is disconnected from its air supply.
2. Completely empty the Magazine Assembly (73) of Nails.
3. The Nailer should not fire if the Nose (40) is not depressed against the workpiece.
4. Make sure the Trigger (58) and Nose (40) move freely, without sticking.
5. Connect the air supply to the tool at the Quick Connector (85). Set the regulator at the recommended **90 PSI. Do not exceed the maximum 125 PSI.**
6. Test the tool by depressing the Nose (40) against the workpiece without pulling the Trigger (58). **The tool must not cycle (fire).** If it cycles (fires), stop immediately and have it repaired by a qualified service technician.
7. Hold the tool away or off the workpiece in a safe direction. The Nose (40) of the tool should return to its original position. Squeeze the Trigger (58). **The tool should not cycle (fire).** If the tool cycles (fires), stop immediately and have it repaired by a qualified service technician.

Rev 11/06

SKU 93760

For technical questions, please call 1-800-444-3353

PAGE 6

- Depress the Nose (40) against the workpiece and squeeze the Trigger (58). **The tool must cycle (fire) only once.** Release the Trigger and squeeze it again. **The tool must not cycle (fire).** With the Trigger held, carefully lift the Nailer and press it against the workpiece again. **The tool must not cycle (fire).** If it fails to perform in the manner explained in bold, have it repaired by a qualified service technician.

LOADING NAILS

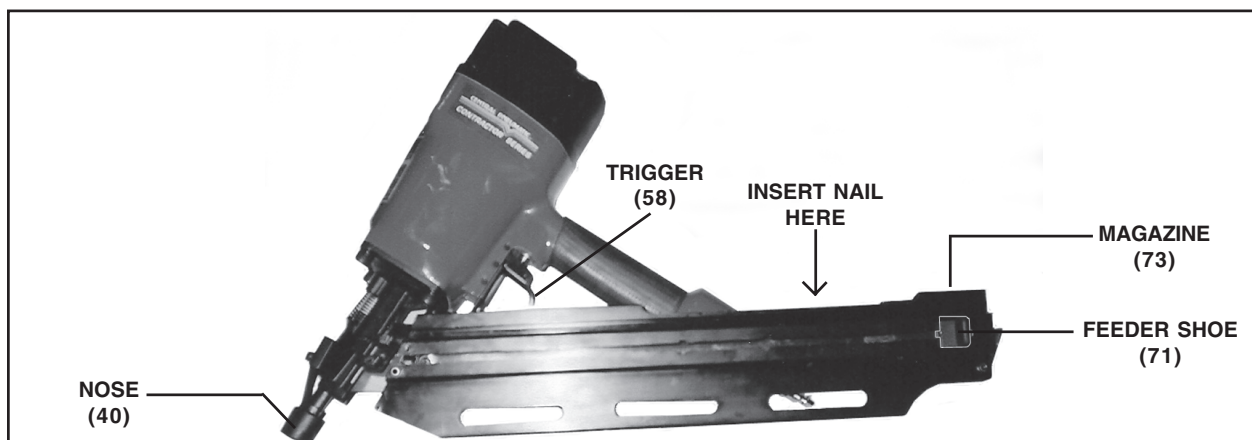


WARNING: Always wear ANSI approved impact safety goggles when reloading or performing any other maintenance on this tool. Other people in the work area must also wear ANSI approved impact safety goggles.

WARNING: Make sure the Nailer is not attached to the air hose when loading the tool.

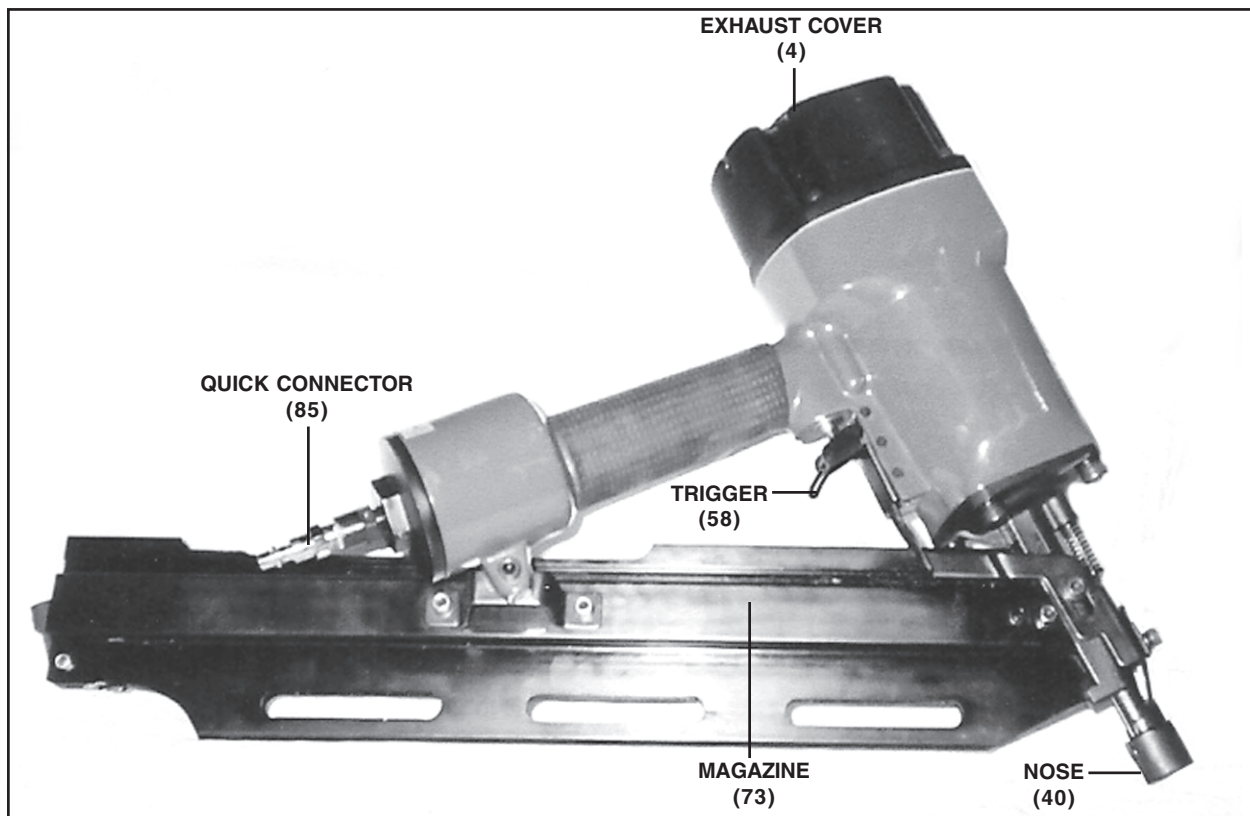
Note: This Nailer only uses 28⁰ collated nails.

- Pull the Feeder Shoe (71) all the way to the rear until it latches.
- Orient a strip of Nails (86, 87) with points down and drop the Nails into the Magazine (73).
- Slide the Nails (86, 87) forward in the Magazine (73). The Magazine will hold 90 Nails.
- Pull the Feeder Shoe (71) backward, and then press the Lock (77) to allow the Feeder Shoe to slide forward against the Nails (86, 87).



OPERATING THE NAILER

1. Attach the Nailer to the air supply at the Quick Connector (85). Start your compressor and check the pressure, making sure it is set at 90 PSI.
Do not exceed the maximum 125 PSI.
2. Rotate the Exhaust Cover (4) so that the exhaust air blast will be directed away from the operator.
3. To fire, place the Nose (40) of the Nailer on the workpiece. The Nailer should not fire if the Nose is not depressed. Once depressed, gently and briefly squeeze the Trigger (58) once; one Nail will be fired.
4. Do not press the Nose (40) against the workpiece with extra force. Allow the tool to recoil off the work surface.
5. When finished using the Nailer, always disconnect the tool from its air supply. Empty the Magazine Assembly (73) completely of Nails. Attempt to fire the Nailer into a piece of scrap wood to ensure it is disconnected and is incapable of firing any Nails.
6. Make sure to store the Nailer in a clean, dry, safe location out of reach of children.




Anytime any maintenance or repairs are done (including clearing jams), FIRST:

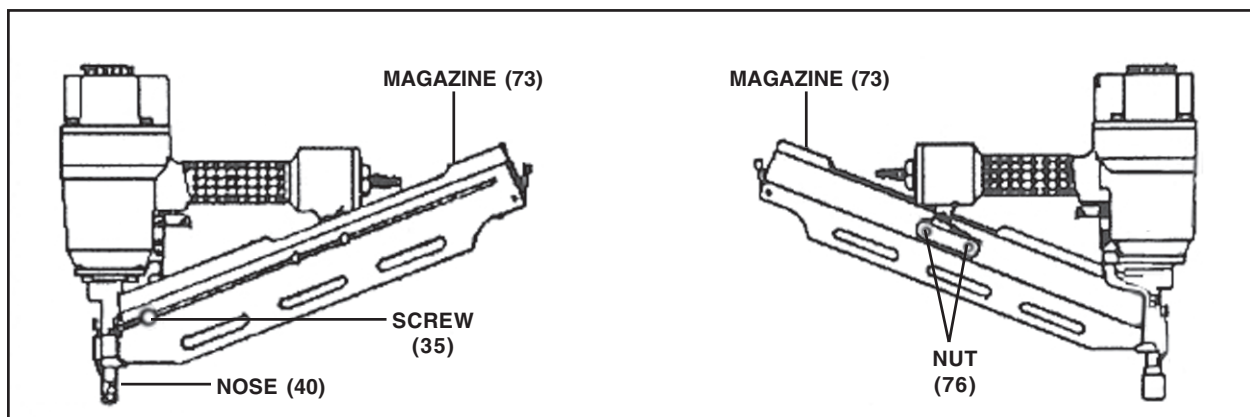
1. Disconnect the Nailer from its air supply.
2. Empty the Magazine Assembly (73) completely.
3. Attempt to fire the Nailer into a piece of scrap wood to ensure that it is disconnected and is incapable of firing any Nails.
4. Always leave the Magazine Assembly (73) open during maintenance. The Magazine is spring loaded, and may cause parts or a Nail to fly out of the Nailer.

CLEARING JAMS

1. Occasionally, a Nail may become jammed in the firing mechanism of the Nailer, making the tool inoperable. To remove a jammed Nail, disconnect the Nailer from its air supply. Empty the Magazine Assembly (73) completely of Nails. Attempt to fire the Nailer into a piece of scrap wood to ensure it is disconnected and is incapable of firing any Nails.
2. Use a pair of needle nose pliers to remove a jammed Nail **from the back of the Nose (40)**. If a jammed Nail cannot be removed as described, it may be necessary to disassemble the Magazine (73) as follows:

 **CAUTION:** If you are not clear about how to remove and re-assemble the Magazine (73) to clear a jammed Nail, have a qualified service technician perform this procedure.

3. Remove the *two* Screws (35). **(One Screw on each side of Magazine (73)).**
4. Remove the *two* Nuts (76).
5. Slide the Magazine (73) back, off of the Nose (40).
6. After clearing the jammed Nail, re-assemble in reverse order.




7. Make sure the Nose (40) moves freely.
8. Reload the Nailer with Nails. Then, reconnect the air supply hose to the tool.
9. Press the Nose (40) against a piece of scrap wood, and test fire the Nailer several times while checking for proper operation. If the Nailer is properly firing, you may continue using the tool. If the tool fails to perform properly, immediately discontinue use and have the tool repaired by a qualified service technician.
10. When finished working, disconnect the air supply. Remove the Nails. Then, store the Nailer in a clean, dry, safe location out of reach of children.

Anytime any maintenance or repairs are done, FIRST:

1. Disconnect the Nailer from its air supply.
2. Empty the Magazine Assembly (73) completely.
3. Attempt to fire the Nailer into a piece of scrap wood to ensure that it is disconnected and is incapable of firing any Nails.
4. Always leave the Magazine Assembly (73) open during maintenance. The Magazine is spring loaded, and may cause parts or a Nail to fly out of the Nailer.

INSPECTION, MAINTENANCE, AND CLEANING

1. Inspect the air supply Screen that is located in the End Cap (84) before each use, and clean or replace as necessary. Dirt and water in the air supply Screen are major causes of pneumatic tool wear. Use a filter in the compressed air system for better performance and longer tool life. The filter must have adequate flow capacity for the specific application.
2. Clean the external parts of the Nailer with a clean cloth and mild detergent or non-flammable solvent. Then, dry.
3. Store the tool in a clean, dry, safe location out of reach of children.
4.  **CAUTION: All maintenance, service, or repairs not listed in this manual are only to be attempted by a qualified service technician.**

TROUBLESHOOTING

Problem	Possible Solution
Air leak near top of tool.	<ol style="list-style-type: none"> 1. Tighten all screws on the cylinder cap. (See Assy. Diagram.) 2. Have a qualified service technician install a head valve piston set.
Tool does not work.	<ol style="list-style-type: none"> 1. Make sure the compressor regulator is set at 90 PSI. (See page 6.) 2. Check all air connections for leaks. 3. Make sure to fully depress the nose on the workpiece when attempting to fire a nail. (See page 7.) 4. Check for nail jams. Clear the jam if necessary. (See pages 9 & 10) 5. Have a qualified service technician check out the tool.
Sluggish operation.	<ol style="list-style-type: none"> 1. Make sure the compressor regulator is set at 90 PSI. Make sure compressor used produces sufficient C.F.M. to operate the Nailer. 2. Check all air connections for leaks. 3. Have a qualified service technician install a head valve piston set.
Air leak near bottom of tool.	<ol style="list-style-type: none"> 1. Tighten all screws. 2. Have a qualified service technician replace the bumper or head Valve piston set.
Poor return after firing tool.	<ol style="list-style-type: none"> 1. Have a qualified service technician clean the interior of the tool and/or Replace the bumper or head valve piston set.
Weak driving force.	<ol style="list-style-type: none"> 1. Make sure the compressor regulator is set at 90 PSI. 2. Check all air connections for leaks. 3. Have a qualified service technician clean the interior of the tool and/or Replace the bumper or head valve piston set.
Poor feed.	<ol style="list-style-type: none"> 1. Have a qualified service technician clean the interior of the tool and/or Lubricate the magazine and install a new magazine spring.
Too jamming too often.	<ol style="list-style-type: none"> 1. Have a qualified service technician clean the interior of the tool and/or Lubricate the magazine and install a new magazine spring.
Other problems.	<ol style="list-style-type: none"> 1. Have a qualified service technician check out the tool.

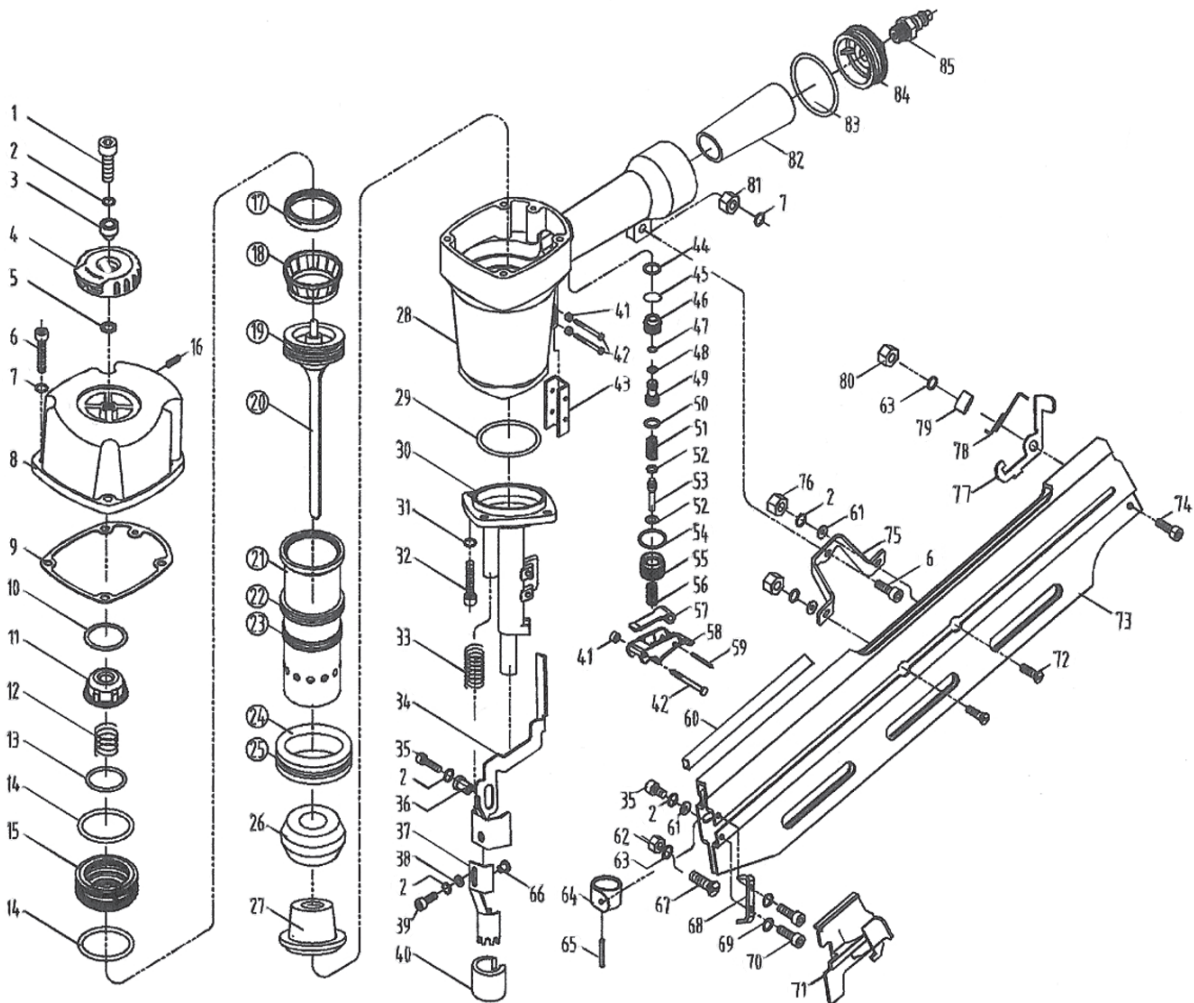
PARTS LIST

Part #	Description	Part #	Description
1	Screw (M5x20)	47	O-Ring (9.5x1.9)
2	Spring Washer (#5)	48	O-Ring (10.3x1.9)
3	Bushing	49	Trigger Valve Head
4	Exhaust Cover	50	O-Ring (12.8x1.9)
5	Seal	51	Spring
6	Screw (M6x30)	52	O-Ring (5.5x1.5)
7	Spring Washer (#6)	53	Trigger Valve Stem
8	Cylinder Cap	54	O-Ring (24.8x2)
9	Gasket	55	Trigger Valve Guide
10	Washer	56	Spring
11	Valve Seat	57	Trigger Spring
12	Spring	58	Trigger
13	O-Ring (57.5x2.6)	59	Spring Pin (2.5x17)
14	O-Ring (72.4x3.5)	60	Rail
15	Valve	61	Washer (#5)
16	Screw (M6x8)	62	Nut (M4)
17	Cylinder Seal	63	Washer (#5)
18	Collar	64	Coil Spring Assembly
19	O-Ring (54.4x4)	65	Pin
20	Piston Assembly	66	Bushing
21	Cylinder	67	Screw (M4x8)
22	O-Ring (72.4x3.5)	68	Block
23	O-Ring (67x3)	69	Spring Washer (#4)
24	Restrictive Plate	70	Screw (M4x12)
25	O-Ring (97.5x3.5)	71	Feeder Shoe
26	Bumper A	72	Screw (M5x14)
27	Bumper B	73	Magazine
28	Body	74	Screw (M4x16)
29	O-Ring (62.3x1.8)	75	Support
30	Nose	76	Nut (M5)
31	Spring Washer (#8)	77	Lock
32	Screw (M8x25)	78	Torsion
33	Spring	79	Bushing
34	Safety Bracket A	80	Nut (M4)
35	Screw (M5x12)	81	Nut (M6)
36	Bushing	82	Soft Grip Sleeve
37	Safety Bracket B	83	O-Ring (65.4x2.5)
38	Washer	84	End Cap
39	Screw (M5x10)	85	Quick Connector
40	Nose	86	Nails (0.131" Dia. x 3" Long, Wire Collated, Full Head, Qty. 100)
41	Seal	87	Nails (0.113" Dia. x 2-1/2" Long, Paper Collated, Clip Head, Qty. 100)
42	Pin	88	Goggles
43	Safety Guide	89	Tool Oil
44	O-Ring (20.3x2.5)	90	Hex Wrenches (Set of 3)
45	O-Ring (20.3x1.5)	91	Carrying Case
46	Valve Set		

NOTE:

Some parts are listed and shown for illustration purposes only,
and are not available individually as replacement parts.

ASSEMBLY DIAGRAM



- 86: Nails not shown.**
- 87: Nails not shown.**
- 88: Goggles not shown.**
- 89: Tool Oil not shown.**
- 90: Hex Wrenches not shown.**
- 91: Carrying Case not shown.**

NOTE:

Some parts are listed and shown for illustration purposes only, and are not available individually as replacement parts.

CENTRAL PNEUMATIC®

CONTRACTOR SERIES

LIMITED 1 YEAR WARRANTY

Harbor Freight Tools Co. makes every effort to assure that its products meet high quality and durability standards, and warrants to the original purchaser that this product is free from defects in materials and workmanship for a period of 1 year from the date of purchase. This warranty does not apply to damage due directly or indirectly to misuse, abuse, negligence or accidents; repairs or alterations outside our facilities; or to lack of maintenance. We shall in no event be liable for death, injuries to persons or property, or for incidental, contingent, special or consequential damages arising from the use of our product. Some states do not allow the exclusion or limitation of incidental or consequential damages, so the above limitation of exclusion may not apply to you.

To take advantage of this warranty, the product or part must be returned to us with transportation charges prepaid. Proof of purchase date and an explanation of the complaint must accompany the merchandise. If our inspection verifies the defect, we will either repair or replace the product at our election or we may elect to refund the purchase price if we cannot readily and quickly provide you with a replacement. We will return repaired products at our expense, but if we determine there is no defect, or that the defect resulted from causes not within the scope of our warranty, then you must bear the cost of returning the product.

This warranty gives you specific legal rights and you may also have other rights which vary from state to state.

3491 Mission Oaks Blvd. • P.O. Box 6009 • Camarillo, CA 93011 • (800) 444-3353

PLEASE READ THE FOLLOWING CAREFULLY

THE MANUFACTURER AND/OR DISTRIBUTOR HAS PROVIDED THE PARTS LIST AND ASSEMBLY DIAGRAM IN THIS MANUAL AS A REFERENCE TOOL ONLY. NEITHER THE MANUFACTURER OR DISTRIBUTOR MAKES ANY REPRESENTATION OR WARRANTY OF ANY KIND TO THE BUYER THAT HE OR SHE IS QUALIFIED TO REPLACE ANY PARTS OF THE PRODUCT. IN FACT, THE MANUFACTURER AND/OR DISTRIBUTOR EXPRESSLY STATES THAT ALL REPAIRS AND PARTS REPLACEMENTS SHOULD BE UNDERTAKEN BY CERTIFIED AND LICENSED TECHNICIANS, AND NOT BY THE BUYER. THE BUYER ASSUMES ALL RISKS AND LIABILITY ARISING OUT OF HIS OR HER REPAIRS TO THE ORIGINAL PRODUCT OR REPLACEMENT PARTS THERETO, OR ARISING OUT OF HIS OR HER INSTALLATION OF REPLACEMENT PARTS THERETO.

Free Manuals Download Website

<http://myh66.com>

<http://usermanuals.us>

<http://www.somanuals.com>

<http://www.4manuals.cc>

<http://www.manual-lib.com>

<http://www.404manual.com>

<http://www.luxmanual.com>

<http://aubethermostatmanual.com>

Golf course search by state

<http://golfingnear.com>

Email search by domain

<http://emailbydomain.com>

Auto manuals search

<http://auto.somanuals.com>

TV manuals search

<http://tv.somanuals.com>