

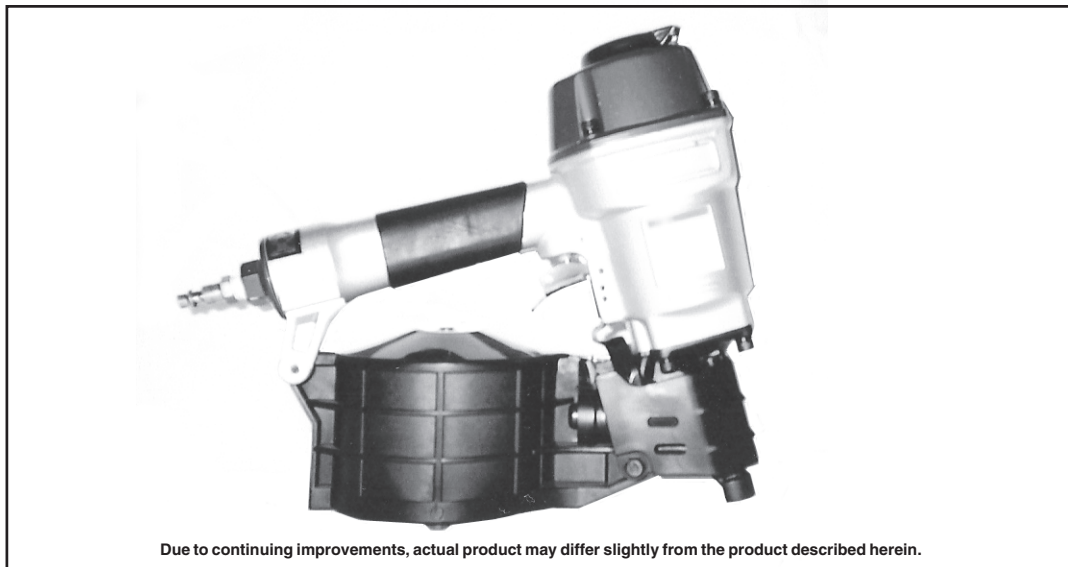
CENTRAL PNEUMATIC®
Professional

COIL SIDING NAILER

WITH MAGNESIUM BODY

Model 93257

ASSEMBLY AND OPERATING INSTRUCTIONS



Due to continuing improvements, actual product may differ slightly from the product described herein.



3491 Mission Oaks Blvd., Camarillo, CA 93011
Visit our Web site at: <http://www.harborfreight.com>

**TO PREVENT SERIOUS INJURY,
READ AND UNDERSTAND ALL WARNINGS
AND INSTRUCTIONS BEFORE USE.**

Copyright© 2005 by Harbor Freight Tools®. All rights reserved. No portion of this manual or any artwork contained herein may be reproduced in any shape or form without the express written consent of Harbor Freight Tools.

For technical questions, please call 1-800-444-3353.

PRODUCT SPECIFICATIONS

Operating Air Pressure	70~125 PSI *
Average Air Consumption	4 CFM @ 90 PSI
Actuation System	Full Sequential Safety Trip Mechanism
Magazine Type	Barrel Type, Nail Coil Canister w/Adjustable Nail Height
Magazine Capacity	250–400 Nails
Nail Type	0.082"–0.099" Shaft (12–14 Gauge), Wire-Collated Only
Nail Length Capacity	1 ¹ / ₄ "–2 ¹ / ₈ " Long
Air Inlet Size	1 ¹ / ₄ "-18 NPT
Overall Dimensions	11 ¹ / ₄ " L x 5" W x 11 ¹ / ₄ " H
Unit Weight	5.7 Pounds
Accessories	Tool Oil, Hex Wrench** **Refer to Inspection, Maintenance, and Cleaning, page 11, for proper usage.

*The air pressure setting must not exceed job site regulations/restrictions. The air pressure setting must not exceed 90 PSI when being used with work pieces that have a thickness of less than 1-3/4".

SAVE THIS MANUAL

You will need this manual for the safety warnings and precautions, assembly, operating, inspection, maintenance and cleaning procedures, parts list and assembly diagram. Keep your invoice with this manual. Write the invoice number on the inside of the front cover. Keep this manual and invoice in a safe and dry place for future reference.

SAFETY WARNINGS AND PRECAUTIONS

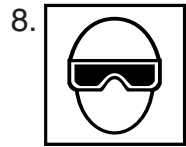


WARNING: When using tool, basic safety precautions should always be followed to reduce the risk of personal injury and damage to equipment. Read all instructions before using this tool!


1. **Keep work area clean.** Cluttered areas invite injuries.
2. **Observe work area conditions.** Do not use machines or power tools in damp or wet locations. Do not expose to rain. Keep work area well lit. Do not use electrically powered tools in the presence of flammable gases or liquids.
3. **Keep children away.** Children must never be allowed in the work area. Do not let them handle machines, tools, extension cords, or air hoses.
4. **Store idle equipment.** When not in use, tools must be stored in a dry location to inhibit rust. Always lock up tools and keep out of reach of children.
5. **Use the right tool for the job.** Do not attempt to force a small tool or attachment to do the work of a larger industrial tool. There are certain applications for which this tool was designed. It will do the job better and more safely at the rate for which it was intended. Do not modify this tool, and do not use this tool for a purpose for which it was not intended.

REV 10/05 REV 11/06


6. **Dress properly.** Do not wear loose clothing or jewelry as they can be caught in moving parts. Protective, electrically nonconductive clothes and nonskid footwear are recommended when working. Wear restrictive hair covering to contain long hair.
7. **Do not overreach.** Keep proper footing and balance at all times. Do not reach over or across running machines or air hoses.



8. **Use eye and ear protection.** Always wear ANSI-approved impact safety goggles and appropriate hearing protection. Wear a full face shield if you are producing metal filings or wood chips. Wear a NIOSH-approved dust mask or respirator when working around metal, wood, and chemical dusts and mists. Other people in the work area must also wear ANSI-approved impact safety goggles.
9. **Maintain tools with care.** Keep tools clean for better and safer performance. Follow instructions for lubricating and changing accessories. Inspect tool cords and air hoses periodically and, if damaged, have them repaired by an authorized technician. The handle must be kept clean, dry, and free from oil and grease at all times. Do not operate a tool if any portion of the tool's operating controls are inoperable, disconnected, altered, or not working properly.
10. **Disconnect air hose and release any built-up air pressure.** Never service the Nailer, clear jams, or disassemble with the air hose attached. Always release any built-up air even after disconnecting hose. Disconnect the Nailer when not in use.
11. **Remove adjusting wrenches.** Check that adjusting wrenches are removed from the tool or machine work surface before attaching to an air source.
12. **Avoid unintentional starting.** Be sure the trigger is in the OFF position when not in use and before plugging in. Do not carry any tool with your finger on the trigger, whether it is attached to an air source or not. Do not point the tool towards yourself or anyone whether it contains nails or not.
13. **Stay alert.** Watch what you are doing. Use common sense. Do not operate any tool when you are tired.
14. **Check for damaged parts.** Before using any tool, any part that appears damaged should be carefully checked to determine that it will operate properly and perform its intended function. Check for alignment and binding of moving parts, any broken parts or mounting fixtures, and any other condition that may affect proper operation. Any part that is damaged should be properly repaired or replaced by a qualified technician. Do not use the tool if the trigger does not operate properly.

15. **Guard against electric shock.** Prevent body contact with grounded surfaces such as pipes, radiators, ranges, and refrigerator enclosures.
16. **Replacement parts and accessories.** This product is to be repaired and serviced only by a qualified technician. When this product is serviced, only identical replacement parts should be used. Use of any other parts will void the warranty. Only use accessories intended for use with this tool. Approved accessories are available from Harbor Freight Tools.
17. **Do not operate tool if under the influence of alcohol or drugs.** Read warning labels if taking prescription medicine to determine if your judgement or reflexes are impaired while taking drugs. If there is any doubt, do not operate the tool.
18. **Use proper size and type extension cord.** If an extension cord is required, it must be of the proper size and type to supply the correct current to the compressor without heating up. Otherwise, the extension cord could melt and catch fire, or cause electrical damage to the tool. Check your air compressor's manual for the appropriate size cord. It is also possible that the use of an extension cord may cause your circuit breaker to trip or your panel fuse to break. If this happens, either use a longer air hose, use the compressor without an extension cord, or find a larger amperage circuit to use.
19. **Maintenance.** The maintenance outlined in the "Maintenance" section should be performed regularly. For your safety, this product should be serviced or repaired regularly only by a qualified technician.
20. **Compressed air only.** Never use combustible gas as a power source.
21.  **Do not load nails with the trigger or safety depressed.** Unintentional firing may occur. Do not load nails when the air hose is connected to the tool. Always assume the tool contains nails.
22. **Disconnect air supply before loading the Nailer.** Before reloading (or making any adjustments to) the Nailer, make sure the compressed air is disconnected.
23. **Fire nails into an appropriate work surface only.** Do not attempt to fire nails into surfaces too hard to penetrate. Do not drive nails on top of other nails, or at too steep an angle. Nails can ricochet, causing personal injury. Never fire the Nailer into the air, or point it toward yourself or another person. Always wear ANSI-approved impact safety goggles during use, maintenance, and reloading.
24. **Do not fire nails too close to the edge of a workpiece.** They may split the workpiece and fly free, causing personal injury.


25. **Take caution, as some woods contain preservatives such as copper chromium arsenate (CCA) which can be toxic.** When nailing these materials extra care should be taken to avoid inhalation and minimize skin contact.

 **WARNING:** Some dust created by power sanding, sawing, grinding, drilling, and other construction activities contain chemicals known (to the State of California) to cause cancer, birth defects, or other reproductive harm.

Some examples of these chemicals are:

- * Lead from lead-based paints,
- * Crystalline silica from bricks, cement, and other masonry products,
- * Arsenic and chromium from chemically treated lumber.

(California Health & Safety Code 25249.5, et seq.)

26. **Stay within air pressure capacity.** Never operate the Nailer above 125 PSI.
27. **Hold tool away from head and body.** During operation the Nailer may kick back, causing injury.
28. **Transport Nailer safely.** Always disconnect air supply when moving the tool in the workplace. Carry the tool by the handle to avoid contact with the trigger.
29. **Avoid working alone.** If an accident happens, an assistant can bring help.
30. **Note:** Performance of the compressor (if powered by line voltage) may vary depending on variations in local line voltage. Extension cord usage may also affect the tool performance.
31.  **WARNING:** The warnings, cautions, and instructions discussed in this instruction manual cannot cover all possible conditions and situations that may occur. It must be understood by the operator that common sense and caution are factors which cannot be built into this product, but must be supplied by the operator.

UNPACKING

When unpacking, check to make sure that all accessories **listed on page 13** are included, and the product is intact and undamaged. If any parts are missing or broken, please call Harbor Freight Tools at the number shown on the cover of this manual as soon as possible.

OPERATION

For best service, you should incorporate an oiler, regulator, and inline filter, as shown in the diagram below. Hoses, couplers, oilers, regulators, and filters are all available at Harbor Freight Tools. **NOTE:** If an automatic oiler is not used, for smoother operation and to extend the life-span of the tool, put 3-5 drops of pneumatic Tool Oil (93) in the attached Air Plug (82-not included) before each use.

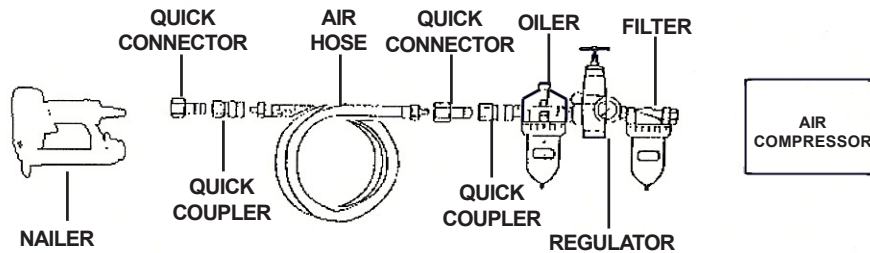


FIGURE A

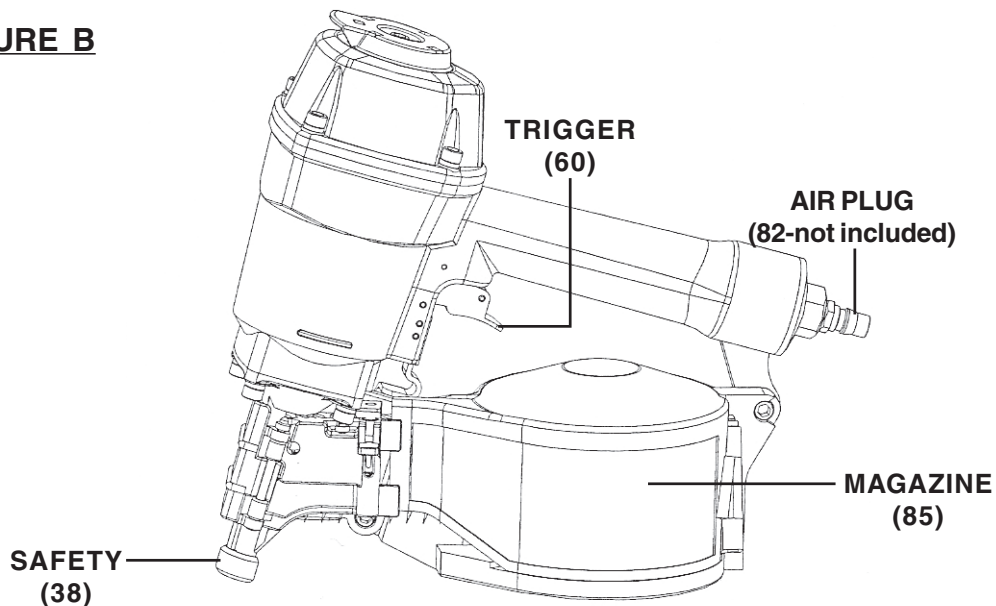
CONNECTION TO AIR SUPPLY

TESTING THE FULL SEQUENTIAL SAFETY TRIP MECHANISM

⚠ WARNING: Even though the Nailer should be empty during this procedure, **ALWAYS** point the Nailer at a piece of scrap wood when testing.

1. Make sure the tool is disconnected from its air supply.
2. Completely empty the Magazine (85) of Nails. Then, close the Magazine. (See Figure B.)

FIGURE B



REV 12/06

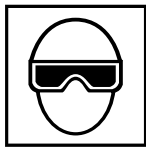
SKU 93257

For technical questions, please call 1-800-444-3353

PAGE 6

3. Connect the air supply to the tool at the Air Plug (82-not included). Set the regulator at the recommended **70 to 125 operating PSI. Do not exceed the maximum 125 PSI.**
4. Test the tool by depressing the Safety (38) against a piece of scrap wood without pulling the Trigger (60). **The tool must not cycle (fire).** If it cycles (fires), stop immediately and have it repaired by a qualified service technician. **(See Figure B.)**
5. Hold the tool away or off the workpiece. The Safety (38) of the tool should return to its original position. Squeeze the Trigger (60). **The tool should not cycle (fire).** If the tool cycles (fires), stop immediately and have it repaired by a qualified service technician. **(See Figure B.)**
6. Depress the Safety (38) against the workpiece and squeeze the Trigger (60). **The tool must cycle (fire) only once.** Release the Trigger and squeeze it again. **The tool must not cycle (fire).** With the Trigger held, carefully lift the Nailer and press it against the scrap wood again. **The tool must not cycle (fire).** If it fails to perform in the manner explained in bold, have it repaired by a qualified service technician. **(See Figure B.)**

LOADING COIL NAILS



⚠ WARNING: Always wear ANSI approved impact safety goggles when reloading or performing any other maintenance on this tool. Other people in the work area must also wear ANSI approved impact safety goggles.

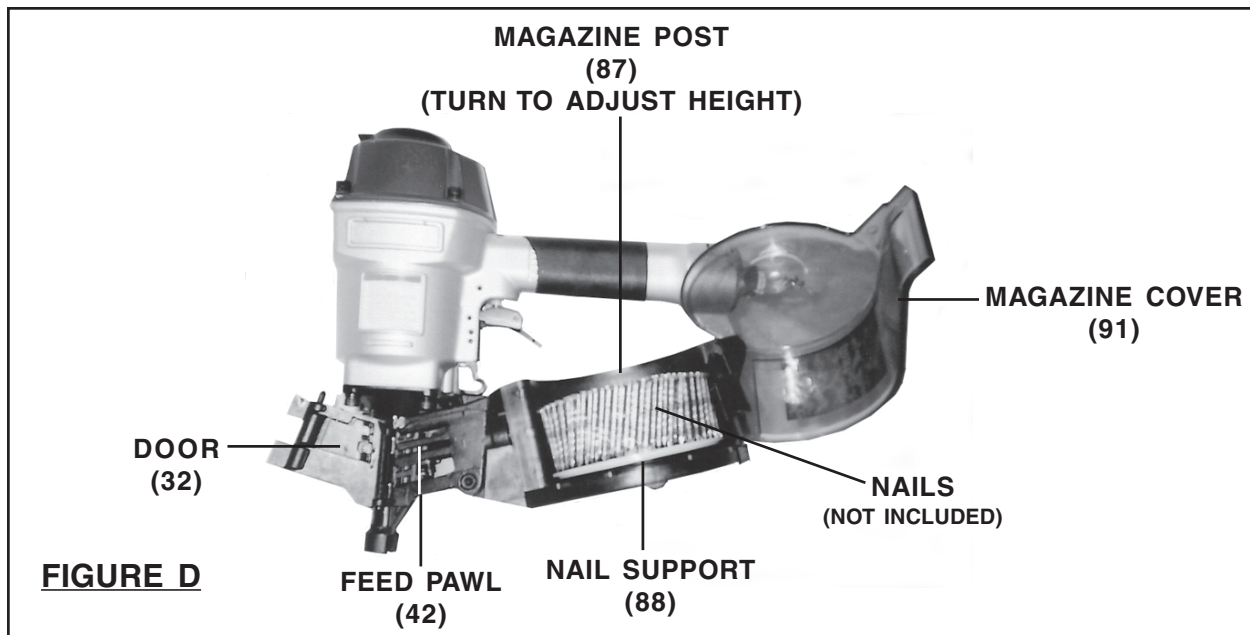
⚠ WARNING! Make sure the Nailer is not attached to the air hose when loading the tool.

1. To open the Magazine Cover (91), press down on the Latch (57) and swing the Door (32) open. Then, swing the Magazine Cover open. **(See Figure C.)**



Rev 11/06; REV 12/06

2. Check the Nail Support (88) inside the Magazine (85). The Nail Support can be adjusted up and down to use various lengths of nails from 1-1/4" to 2-1/8":
(See Figure D.)
 - A. 1-1/4" Long Nails (Turn Magazine Post (87) to *top* setting).
 - B. Between 1-1/4" and 2-1/8" Long Nails (Use *middle* setting).
 - C. 2-1/8" Long Nails (Use *bottom* setting).



3. Place a coil of Nails (not included) around the Nail Support (88) in the Magazine (85). **(See Figure D.)**
4. Uncoil enough Nails to reach the Feed Pawl (42). Place the second Nail on the coil between the teeth of the Feed Pawl, making sure the Nail head fits in the slot in the upper portion of the Feed Pawl. **(See Figure D.)**
5. Swing the Magazine Cover (91) closed. Then, close the Door (32). Make sure the Door closes securely. If it does not engage, the Nail head is not in the slot in the upper portion of the Feed Pawl (42). **(See Figure D.)**

OPERATING THE NAILER

1. Attach the Nailer to the air supply at the Air Plug (82-not included). Start your compressor and check the pressure, making sure it is set at the recommended 70 to 125 PSI. **Do not exceed the maximum 125 PSI.**
2. Rotate the Exhaust Cover (2) so that the exhaust air blast will be directed away from the operator. **(See Figure E, next page)**

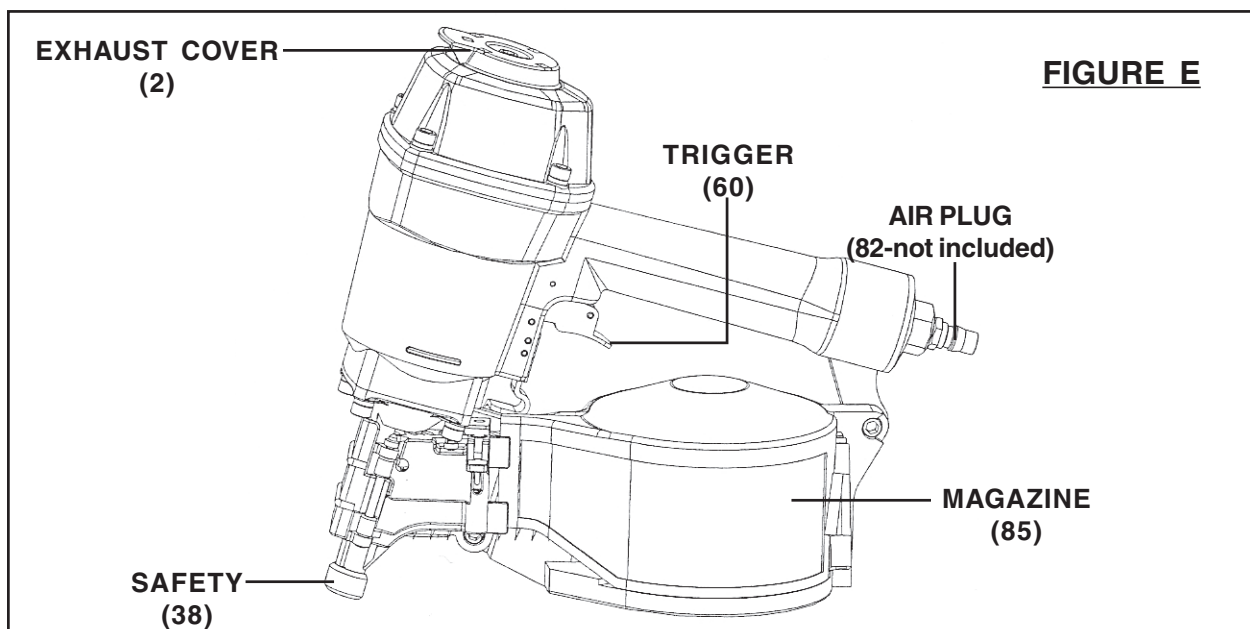
Rev 11/06; REV 12/06

SKU 93257

For technical questions, please call 1-800-444-3353

PAGE 8

3. To fire, place the Safety (38) of the Nailer on the workpiece. The Nailer should not fire if the Safety is not depressed. Once depressed, gently and briefly squeeze the Trigger (60) once. **Do not fire repeatedly.** Nails could bounce off of one another, damaging the workpiece or causing personal injury. **(See Figure E.)**
4. Do not press the Safety (38) against the workpiece with extra force. Allow the tool to do the work. Always allow the tool to recoil off the work surface. **(See Figure E.)**
5. When finished using the Nailer, always disconnect the tool from its air supply. Empty the Magazine (85) completely of nails. Attempt to fire the Nailer into a piece of scrap wood to ensure it is disconnected and is incapable of firing any nails. **(See Figure E.)**
6. Make sure to store the Nailer in a clean, dry, safe location out of reach of children.



Anytime any maintenance or repairs are done (including clearing jams), FIRST:

1. Disconnect the Nailer from its air supply.
2. Empty the Magazine (85) completely.
3. Attempt to fire the Nailer into a piece of scrap wood to ensure that it is disconnected and is incapable of firing any Nails.


CLEARING JAMS

1. Occasionally, a Nail may become jammed in the firing mechanism of the Nailer, making the tool inoperable.
2. To remove a jammed Nail, disconnect the Nailer from its air supply. Empty the Magazine (85) completely of Nails. Attempt to fire the Nailer into a piece of scrap wood to ensure it is disconnected and is incapable of firing any Nails.
3. Use a pair of needle nose pliers to remove the jammed Nail (usually in the Feed Pawl (42) area.
4. Replace the coil of nails into the Nailer. Close the Magazine Cover (91) and Door (32) securely. Then, reconnect the air supply hose to the Nailer.
5. Press the Safety (38) against a piece of scrap wood, and test fire the Nailer several times while checking for proper operation. If the Nailer is properly firing, you may continue using the tool. If the tool fails to perform properly, immediately discontinue use and have the tool repaired by a qualified service technician.
6. When finished working, disconnect the air supply. Remove the nails. Then, store the Nailer in a clean, dry, safe location out of reach of children.

Anytime any maintenance or repairs are done, FIRST:

1. Disconnect the Nailer from its air supply.
2. Empty the Magazine (85) completely.
3. Attempt to fire the Nailer into a piece of scrap wood to ensure that it is disconnected and is incapable of firing any Nails.

INSPECTION, MAINTENANCE, AND CLEANING

1. Inspect the Nailer frequently and lubricate periodically with pneumatic Tool Oil (93). Then, wipe dry. Do not use detergent oil or additives as these lubricants will cause accelerated wear to the internal seals. Use the included Hex Wrench (94) to ensure bolts are properly tightened; only a qualified technician should open the Nailer to repair internal parts.
2. Inspect the Filter Unit (80) before each use and clean or replace as necessary. Dirt and water in the Filter Unit are major causes of pneumatic tool wear. Use an oiler/filter in the compressed air system for better performance and longer tool life. The filter must have adequate flow capacity for the specific application.
(See Assy. Diagram.)
3. Clean the external parts of the Nailer with a clean cloth and mild detergent or nonflammable solvent. Then, dry.
4. Store the tool in a clean, dry, safe location out of reach of children.
5.  **WARNING: All maintenance, service, or repairs not listed in this manual are only to be attempted by a qualified service technician.**

TROUBLESHOOTING

Problem	Possible Cause	Corrective Action
Trigger Valve leaks air	O-Ring cut or cracked	Replace O-Ring
Nose leaks air	O-Ring or Gasket is cut or cracked	Replace O-Ring or Gasket
	Bumper cracked or worn	Replace Bumper
Failure to cycle (fire)	Air supply restricted	Check air supply equipment
	Tool dry. Lack of lubrication	Use Air Tool Oil
	Broken Cylinder Cap Spring	Replace Cylinder Cap Spring
Lack of power	Air pressure too low	Check air supply equipment
Slow to cycle (fire)	Broken Cylinder Cap Spring	Replace Cylinder Cap Spring
	O-Rings/Seals cut or cracked	Replace O-Rings/Seals
	Exhaust blocked	Check Bumper & Head Valve Spring
	Tool dry, lack of lubrication	Use Air Tool Oil
Nails jam in tool	Bent nails	Replace with new nails
	Broken/chipped Driver	Replace Driver
	Wrong size/type nail	Replace with correct size/type nail

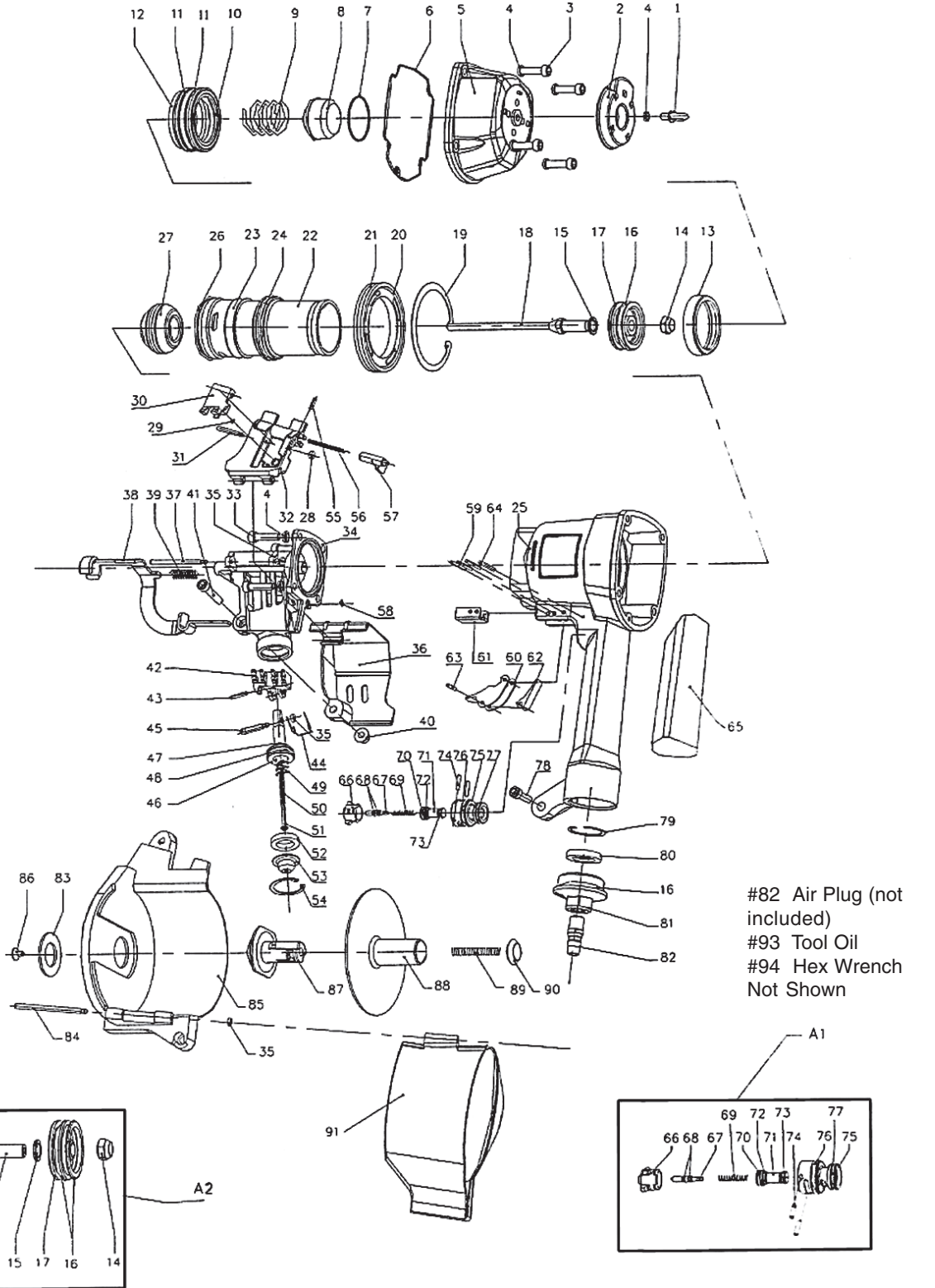
PLEASE READ THE FOLLOWING CAREFULLY

THE MANUFACTURER AND/OR DISTRIBUTOR HAS PROVIDED THE PARTS LIST AND ASSEMBLY DIAGRAM IN THIS MANUAL AS A REFERENCE TOOL ONLY. NEITHER THE MANUFACTURER OR DISTRIBUTOR MAKES ANY REPRESENTATION OR WARRANTY OF ANY KIND TO THE BUYER THAT HE OR SHE IS QUALIFIED TO REPLACE ANY PARTS OF THE PRODUCT. IN FACT, THE MANUFACTURER AND/OR DISTRIBUTOR EXPRESSLY STATES THAT ALL REPAIRS AND PARTS REPLACEMENTS SHOULD BE UNDERTAKEN BY CERTIFIED AND LICENSED TECHNICIANS, AND NOT BY THE BUYER. THE BUYER ASSUMES ALL RISKS AND LIABILITY ARISING OUT OF HIS OR HER REPAIRS TO THE ORIGINAL PRODUCT OR REPLACEMENT PARTS THERETO, OR ARISING OUT OF HIS OR HER INSTALLATION OF REPLACEMENT PARTS THERETO.

PARTS LIST

Part #	Description	Part #	Description
1	Screw	49	Spring
2	Exhaust Cover	50	Spring
3	Screw	51	Spring Guide
4	Elastic Washer	52	Piston Stopper
5	Cylinder Cap (Magnesium)	53	Cover
6	Gasket	54	Clip
7	Head Cap	55	Pin
8	Ring	56	Spring
9	Compression Spring	57	Latch
10	O-Ring	58	O-Ring
11	O-Ring	59	Pin
12	Head Valve	60	Trigger (A)
13	Gasket	61	Receiver
14	Screw	62	Trigger (B)
15	Washer	63	Pin
16	O-Ring	64	Pin
17	Piston Head	65	Grip Handle
18	Driver Rod	66	Trigger Cover
19	Clip	67	Trigger Plunger
20	Cylinder Ring	68	O-Ring
21	O-Ring	69	Spring
22	Cylinder	70	O-Ring
23	Ring	71	Valve Bushing
24	O-Ring	72	O-Ring
25	Body (Magnesium)	73	O-Ring
26	O-Ring	74	Pin
27	Bumper	75	Trigger Valve
28	Pin Guide	76	O-Ring
29	Spring	77	O-Ring
30	Feed Pawl (B)	78	Screw
31	Pin	79	Clip
32	Door	80	Filter Unit
33	Screw	81	End Cap
34	Nose (Bottom Plate)	82	Air Plug (not included)
35	Pin Guide	83	Retainer
36	Cover	84	Pin
37	Pin	85	Magazine
38	Safety	86	Receiver (B)
39	Spring	87	Magazine Post
40	Screw	88	Nail Support
41	Screw	89	Spring
42	Feed Pawl (A)	90	Receiver (A)
43	Pin	91	Magazine Cover
44	Spring	93	Tool Oil
45	Pin	94	Hex Wrench
46	Feed Piston	A1	Control Air Valve
47	O-Ring	A2	Main Piston Unit
48	O-Ring		

ASSEMBLY DIAGRAM



NOTE:

Some parts are listed and shown for illustration purposes only, and are not available individually as replacement parts.

SKU 93257

For technical questions, please call 1-800-444-3353

REV 12/06

PAGE 14

Free Manuals Download Website

<http://myh66.com>

<http://usermanuals.us>

<http://www.somanuals.com>

<http://www.4manuals.cc>

<http://www.manual-lib.com>

<http://www.404manual.com>

<http://www.luxmanual.com>

<http://aubethermostatmanual.com>

Golf course search by state

<http://golfingnear.com>

Email search by domain

<http://emailbydomain.com>

Auto manuals search

<http://auto.somanuals.com>

TV manuals search

<http://tv.somanuals.com>