

**Central  
Hydraulics®**

# 1000 LB. HYDRAULIC MOTORCYCLE SERVICE LIFT

**Model 66305**

## SET UP AND OPERATING INSTRUCTIONS



Distributed exclusively by Harbor Freight Tools®.

3491 Mission Oaks Blvd., Camarillo, CA 93011

Visit our website at: <http://www.harborfreight.com>



**Read this material before using this product.  
Failure to do so can result in serious injury.  
SAVE THIS MANUAL.**

Copyright© 2008 by Harbor Freight Tools®. All rights reserved. No portion of this manual or any artwork contained herein may be reproduced in any shape or form without the express written consent of Harbor Freight Tools. Diagrams within this manual may not be drawn proportionally. Due to continuing improvements, actual product may differ slightly from the product described herein.

**For technical questions or replacement parts, please call 1-800-444-3353.**

---

## SAVE THIS MANUAL

---

Keep this manual for the safety warnings and precautions, assembly, operating, inspection, maintenance and cleaning procedures. Write the product's serial number in the back of the manual near the assembly diagram (or month and year of purchase if product has no number). Keep this manual and the receipt in a safe and dry place for future reference.

---

### Safety Alert Symbol and Signal Words

---

In this manual, on the labeling, and all other information provided with this product:



This is the safety alert symbol. It is used to alert you to potential personal injury hazards. Obey all safety messages that follow this symbol to avoid possible injury or death.

### DANGER

DANGER indicates a hazardous situation which, if not avoided, will result in death or serious injury.

### WARNING

WARNING indicates a hazardous situation which, if not avoided, could result in death or serious injury.

### CAUTION

CAUTION, used with the safety alert symbol, indicates a hazardous situation which, if not avoided, could result in minor or moderate injury.

### NOTICE

NOTICE is used to address practices not related to personal injury.

### CAUTION

CAUTION, without the safety alert symbol, is used to address practices not related to personal injury.

---

## IMPORTANT SAFETY INSTRUCTIONS

---

### INSTRUCTIONS PERTAINING TO A RISK OF FIRE, ELECTRIC SHOCK, OR INJURY TO PERSONS

**WARNING** – When using tools, basic precautions should always be followed, including the following:

#### General

**WARNING** - To reduce the risks of electric shock, fire, and injury to persons, read all the instructions before using the tool.

#### Work area

- a. **Keep the work area clean and well lighted.** Cluttered benches and dark areas increase the risks of electric shock, fire, and injury to persons.
- b. **Do not operate the tool in explosive atmospheres, such as in the presence of flammable liquids, gases, or dust.** The tool is able to create sparks resulting in the ignition of the dust or fumes.
- c. **Keep bystanders, children, and visitors away while operating the**

**tool.** Distractions are able to result in the loss of control of the tool.

### Personal safety

- a. **Stay alert. Watch what you are doing and use common sense when operating the tool. Do not use the tool while tired or under the influence of drugs, alcohol, or medication.** A moment of inattention while operating the tool increases the risk of injury to persons.
- b. **Dress properly. Do not wear loose clothing or jewelry. Contain long hair. Keep hair, clothing, and gloves away from moving parts.** Loose clothes, jewelry, or long hair increases the risk of injury to persons as a result of being caught in moving parts.
- c. **Do not overreach. Keep proper footing and balance at all times.** Proper footing and balance enables better control of the tool in unexpected situations.



- d. **Use safety equipment.** A dust mask, non-skid safety shoes and a hard hat must be used for the applicable conditions. Wear heavy-duty work gloves during use.



- e. **Always wear eye protection.** Wear ANSI-approved safety goggles.



- f. **Always wear hearing protection when using the tool.** Prolonged exposure to high intensity noise is liable to cause hearing loss.

- g. **Risk of Electric Shock. This tool is not provided with an insulated gripping surface.** Contact with a "live" wire will also make exposed metal parts of the tool "live" and shock the operator.

### Tool use and care

- a. **Use tie downs or another practical way to secure and support the motorcycle on the platform.** Holding the motorcycle by hand or against the body is unstable and is able to lead to loss of control.
- b. **Do not force the Lift.** Use the correct Lift for the application. The correct tool will do the job better and safer at the rate for which the tool is designed.
- c. **Do not use the Lift if the controls do not function properly.** Any tool that cannot be controlled is dangerous and must be repaired.
- d. **Store the tool when it is idle out of reach of children and other untrained persons.** A tool is dangerous in the hands of untrained users.
- e. **Maintain the tool with care.** A properly maintained tool reduces the risk of binding and is easier to control.
- f. **Check for misalignment or binding of moving parts, breakage of parts, and any other condition that affects the tool's operation.** If damaged, have the tool serviced before using. Many accidents are caused by poorly maintained tools. There is a risk of bursting if the tool is damaged.
- g. **Use only accessories that are identified by the manufacturer for**

the specific tool model. Use of an accessory not intended for use with the specific tool model, increases the risk of injury to persons.

### Service

- a. **Tool service must be performed only by qualified repair personnel.**
- b. **When servicing a tool, use only identical replacement parts. Use only authorized parts.**
- c. **Use only the lubricants supplied with the tool or specified by the manufacturer.**

## SYMBOLS AND SPECIFIC SAFETY INSTRUCTIONS

### Symbol Definitions





Symbol	Property or Statement
<b>n<sub>o</sub></b>	No-load speed
<b>.../min</b>	Revolutions or reciprocation per minute
<b>PSI</b>	Pounds per square inch of pressure
<b>ft-lb</b>	Foot-pounds of torque
<b>BPM</b>	Blows per minute
<b>CFM</b>	Cubic Feet per Minute flow
<b>SCFM</b>	Cubic Feet per Minute flow at standard conditions
<b>NPT</b>	National pipe thread, tapered
<b>NPS</b>	National pipe thread, straight
	WARNING marking concerning Risk of Eye Injury. Wear ANSI-approved eye protection.

Chart continued in next column.

### Symbol Definitions

	WARNING marking concerning Risk of Hearing Loss. Wear hearing protection.
	WARNING marking concerning Risk of Respiratory Injury. Wear NIOSH-approved dust mask/respirator.
	WARNING marking concerning Risk of Explosion.

### Specific Safety Instructions

1. Strap Motorcycle to Lift before use.
2. The weight of the motorcycle must be centered directly over the Deck Plate (16) during use.
3. This lift is designed for standard two-wheel motorcycles only. Do not attempt to lift a motorcycle with side car or a three-wheeled vehicle.
4. Do not exceed the maximum 1000 lb. weight capacity of this tool. **Be aware of dynamic loading!** Dropping or bouncing load may briefly create excess load causing product failure.
5. Keep all fasteners and pull pins correctly installed and secure when the Lift is in use.
6. Always use the Safety Bar (75) as described in this manual when the Lift is raised. Never depend on the Hydraulic Ram (24) alone to keep Lift elevated.
7. Do not put Hands, arms, any body part or object within the interior frame of the Lift when raising or lowering.
8. Do not hold onto the Lift as it is raised or lowered.

9. Do not attempt to manually raise or lower the Lift. Operate the Lift hydraulically only as described in this manual only.
10. Do not leave Lift unattended with a motorcycle on it. The Lift is not for long term storage.
11. Do not leave any load on the Lift for an extended period of time. This Lift is not designed as a storage device. Remove motorcycle from Lift immediately after completing service operation.
12. Use only on firm, level unobstructed surface able to support the weight of the Lift, the vehicle, and any tools that will be located in the work area.
13. Do not use Lift to move the motorcycle. This Lift is designed to lift the motorcycle in place only.
14. Whenever a motorcycle is lifted, the Safety Bar (75) must be engaged immediately before any further steps are taken.
15. Do not use Lift for any aircraft purpose.
16. For indoor use only.
17. Do not ride on this Lift. Do not ride on the motorcycle as it is lifted. Riding on Lift may cause personal injury.
18. Always control the speed of a loaded lift. It must raise or lower slowly when loaded. Never attempt to lower the Lift when loaded by using the yellow No Load Pedal (71). The No Load Pedal is only used to lower the Lift when it is not loaded.
19. Do not lower the motorcycle quickly. Only use the Load Pedal (69) to slowly lower the Lift when there is a motorcycle on it. NEVER allow the vehicle to drop suddenly.
20. The warnings and precautions discussed in this manual cannot cover all possible conditions and situations that may occur. It must be understood by the operator that common sense and caution are factors which cannot be built into this product, but must be supplied by the operator. Failure to comply with these warnings may result in injury or damage to property.



## SAVE THESE INSTRUCTIONS.

### ASSEMBLY INSTRUCTIONS

The Lift comes completely assembled, except for the following items: (Refer to the exploded drawing).

1. **Tie Down Rings:** The two front tie downs are longer than the rear pair. Slide the front tie downs (13) onto the rods welded at either side of the front end of the platform, and secure them with bolts (14) and nuts (15). Attach the shorter rear tie-downs (31) to the rear rods and secure with bolts (14) and nuts (15).
2. **Wheel Chock:** Place the wheel chock (17) on to the front end of the platform and align it with a suitable pair of holes. Slide the long bolt (19) through a hole in the side of the platform and through the sleeves welded to the back of the chock and out the other side of the platform. Secure with nut (18).
3. **Front Wheel Attachment.** Drop the ends of the 'U' shaped front wheel

attachment (21) into the sleeves welded to the front end of the platform and secure with a pull pin (7) and a R-Pin (20) on either side.

#### 4. Support Leg and Wheel

**Assemblies:** Identify the two support leg/wheel assemblies. The front assembly (74) has a threaded hole between each pair of wheels. Insert the front assembly through the support arm tube at the lower, front end of the scissor frame. Rotate the assembly within the tube until the hole in the centre aligns with the hole in the tube. Secure with a bolt (26). Now attach wheels (28), washers (29) and retaining rings (30) in the order shown in the diagram below. Identify the two lock bolts (41) with hand wheels attached and screw them into the holes between the wheels on either side. Insert the rear assembly (27) through the support arm tube at the lower, back end of the scissor frame. Rotate the assembly within the tube until the hole in the centre aligns with the hole in the tube. Secure with a bolt (26). Now attach wheels (28), washers (29) and retaining rings (30).

**to adequately secure the lift could result in serious injury or death in the event the lift tips over.**

2. With the lift in its lowest position remove the ramp from the end of the extended platform. Whilst the platform is still extended remove the pins from the 'U' shaped support on the end of the extension and fold it over. Use the two pins to lock it in this position. Remove the two pins from the other end of the extension and push the extension back onto the main platform until it lines up with another pair of holes in the rails. Insert the two pins through the rails to lock the extension piece in position.
3. With the help of a second person, push the rear end of the Motorcycle Lift against the wall where it will be secured. Together lift the front end into a vertical position. As it reaches the vertical position the weight of the lift will shift from the wheels to the 'U' shaped support leaving the wheels slightly off the ground. Two people should continue to support the lift whilst it is manoeuvred up against the wall. Whilst one person continues to support the lift the other will secure it in position with a heavy cable or chains and a suitable lock.

### How to store the lift vertically.

1. The lift can be stored vertically as shown in figure below.  
**WARNING: In this position the lift is not free standing and must be secured to a wall with a heavy duty cable or chain. Failure**



4. **Putting the lift back down for use.** When returning the lift to the horizontal position, equal care is required to avoid injury to persons. **Reverse the lifting up steps.** When finally lowering the lift to the ground take hold of the outer part of the cable tie down bars at the chock end of the lift to avoid fingers being trapped under the wheel bars.

## SPECIFICATIONS

Maximum Lifting Capacity	1000 LBS
Maximum Lifting Height	32" Off Floor
Collapsed Height	7-5/8"
Ramp Dimensions	66-3/16" L x 8-3/8" W
Maximum Ramp Extension	84-5/8" Long
Ramp Inside Width	5-3/4"
Wheel Chock Width	5"
Ram Diameter	1.10"
Ram Travel	10-1/4"
Net Weight	165 Lbs.

## INITIAL TOOL SET UP/ ASSEMBLY



Read the **ENTIRE IMPORTANT SAFETY INFORMATION** section at the beginning of this manual including all text under subheadings therein before set up or use of this product.

**Note:** For additional information regarding the parts listed in the following pages, refer to the Assembly Diagram near the end of this manual.

### Unpacking

1. This item is heavy. Ensure that you have an assistant to help handle and set up this item.
2. When unpacking, check to make sure that the item is intact and undamaged. If any parts are missing or broken, please call Harbor Freight Tools at the number shown throughout the manual as soon as possible.

**NOTE:** This item is pre-assembled at the factory.

## Before Initial Use

**Inspect tool before use, looking for damaged, loose, and missing parts or oil leaks. If any problems are found, do not use tool until repaired.**

1. Be sure that the Lift is situated on a solid level surface that can support the combined the weight of this Lift and any motorcycle that will be mounted on it.
2. Purge the Hydraulic Ram.

### Purging the Hydraulic Ram

*Please refer to Hydraulic Ram Assembly Diagram and Parts List near the end of this manual when performing the following procedure.*

1. Turn the Release Valve (15a) 1/2 turn counterclockwise. Remove the Oil Filler Plug (9a).
2. Pump the Foot Pedal (56) 12 to 15 times, until all air is purged from the pump.
3. Turn the Release Valve (15a) clockwise until finger tight.
4. Top off the hydraulic Ram (24) with good quality hydraulic oil (not included) until the oil level is even with the bottom of the Oil Filler Port. Replace the Oil Filler Plug (9a).
5. Test the Lift without a load by raising and lowering it. If the lift operates properly you have completed this process. If the Lift does not raise or lower smoothly and controllably, repeat the purging process.

## IMPORTANT COMPONENTS OF THE LIFT

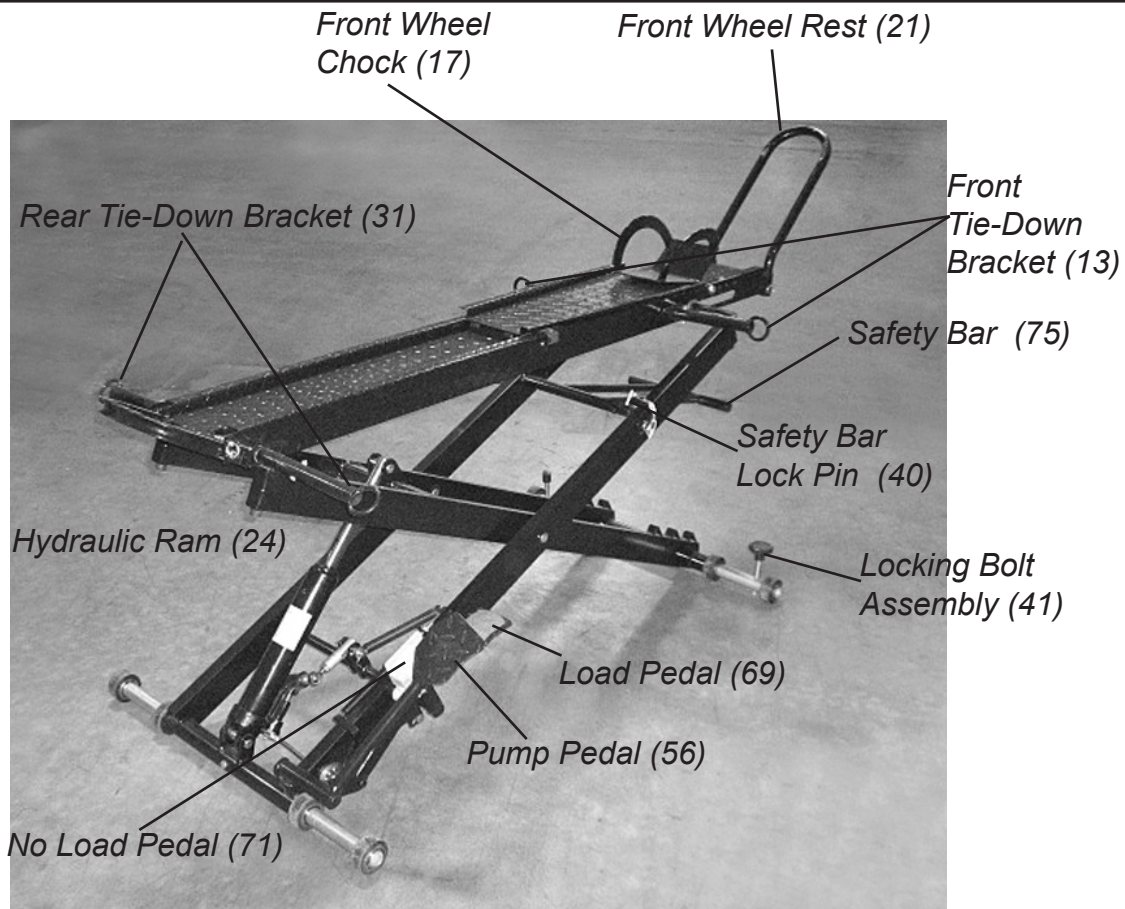


Figure 1

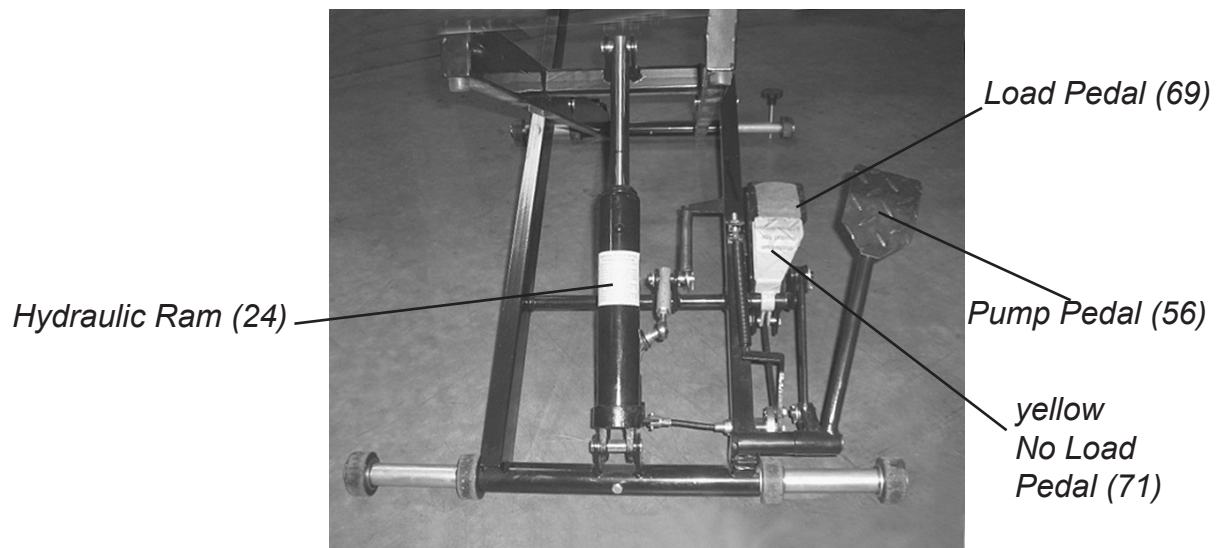


Figure 2



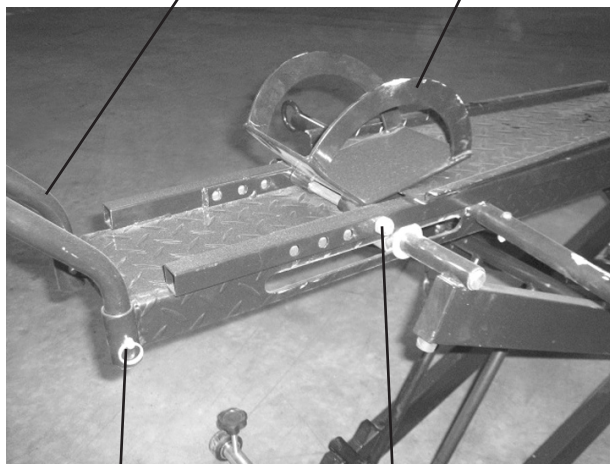
## OPERATING INSTRUCTIONS

### **⚠ WARNING** TO PREVENT SERIOUS INJURY:

**Do not adjust or tamper with any control or component in a way not specifically explained within this manual. Improper adjustment can result in tool failure or other serious hazards.**

1. Position the Lift in a safe and suitable area as discussed above.
2. Press the Load Pedal (69) to fully lower the lift.
3. Pull out the Ramp (1) and Pull Ramp (8) as needed to accommodate the length of the motorcycle.
4. Be sure the Front Wheel Chock (17) is rotated toward the rear of the Lift.
5. Roll the motorcycle up the Ramp (1) and onto the Deck Plate (16).

*Front Wheel Rest (21) Wheel Chock (17)*



*Pull Pin (7) Wheel Lock Axle (19)*

**Figure 3**

6. Roll the front wheel over the Front Wheel Chock (17) and into the Wheel

Rest (21). The Front Wheel Lock will rotate with the wheel, supporting it from the rear.

7. The Wheel Chock (17) can be adjusted to fit your wheel. Remove the Nut (18) from one end of the Wheel Lock Axle (19), and slide the Axle out of the Deck Plate (16). The Wheel Lock can be moved as needed and the Wheel Lock Axle inserted in the appropriate holes in the Deck Plate. Reinstall the Nut and tighten. See *Figure 3*.
8. With a helper holding the motorcycle upright, secure the motorcycle to the Lift using the Tie Down Points (13 and 31).
9. Before lifting any motorcycle, it must be securely fastened to the Lift using tie-down straps (not supplied) or other suitable method. Two Front Tie Down Brackets (13) and two Rear Tie Down Brackets (31) are built into the Lift for this purpose.
10. Refer to the manufacturer's motorcycle service manual for recommended attachment points on the vehicle.
11. There must not be hazardous objects (such as utility lines or foreign objects) nearby that will present a hazard while working.
12. Before lifting the motorcycle, pull out the Safety Bar Lock Pin (40) to allow the Safety Bar (75) to rest on the Inner Scissor Arm (35).
13. To Lift the motorcycle, pump the Pump Pedal (56) repeatedly until the motorcycle is lifted to the desired height.

14. When the motorcycle is lifted, be sure that the Safety Bar (75) is slightly above one of the ramps of the Inner Scissor Arm (35).
15. Press the Load Pedal (69) until the Safety Bar (75) is fully engaged with the ramp of the Inner Scissor Arm (35). See Figure 4.

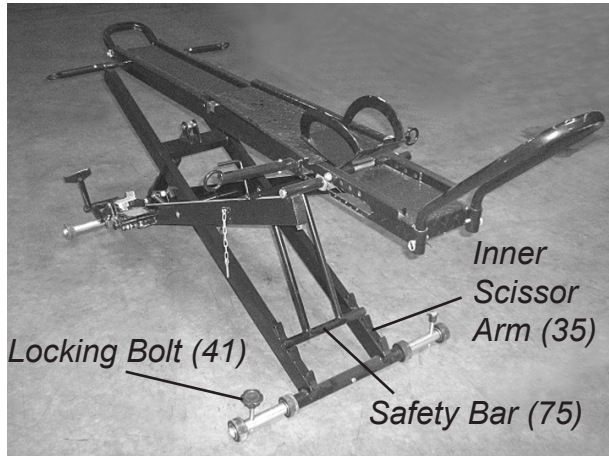


Figure 4

16. Once the motorcycle has been lifted, do not move the Lift around. This Lift is not designed to transport any load. The Lift can be immobilized by turning the two Locking Bolts (41) clockwise firmly against the floor.
17. Do not leave the motorcycle on the lift unattended. If you plan to leave the area, lower the lift and remove the motorcycle before leaving.
18. Do not use the Lift as a storage device.
19. Pump the Pump Pedal (56) a few times to remove weight from the Safety Bar (75).
20. Disengage the Safety Bar (75) from the ramp of the Inner Scissor Arm (35). Swing the Safety Bar up and

insert the Safety Bar Lock Pin (40) into the hole in the upper axle of the Safety Bar. This will lock the Safety Bar in the upright position. See Figure 5.



Figure 5 Safety Bar Pin (40)

21. Press the Load Pedal (69) to GENTLY lower the load. NEVER allow the load to come down quickly or suddenly.
22. With the load fully lowered, have a helper hold the motorcycle. Remove the tie down straps. Roll the motorcycle off the back of the Lift.
23. Secure the motorcycle.
24. Loosen the two Locking Bolts (41) by turning a few turns counterclockwise.
25. Roll the motorcycle lift to a secure storage area out of the reach of children.
26. When work has been completed on the motorcycle, clear all tools away from the area.

## USER-MAINTENANCE INSTRUCTIONS



Procedures not specifically explained in this manual must be performed only by a qualified technician.

### **WARNING**

**TO PREVENT  
SERIOUS INJURY**

**FROM TOOL FAILURE:  
Do not use damaged  
equipment. If abnormal noise,  
vibration, or leaking air  
occurs, have the problem  
corrected before further use.**

## Cleaning Maintenance and Lubrication

**Note:** These procedures are in addition to the regular checks and maintenance explained as part of the regular operation of the air-operated tool.

1. **Weekly - Pivot Point Lubrication and Safety Inspection:**  
Lubricate the pivot points of the tool, using white lithium grease. Inspect for loose fasteners or any damage to the Lift. Repair immediately or mark "Out of Service" until repairs are made.
2. If the Hydraulic Ram fades or fails to lift you may need to add oil or purge the Ram.

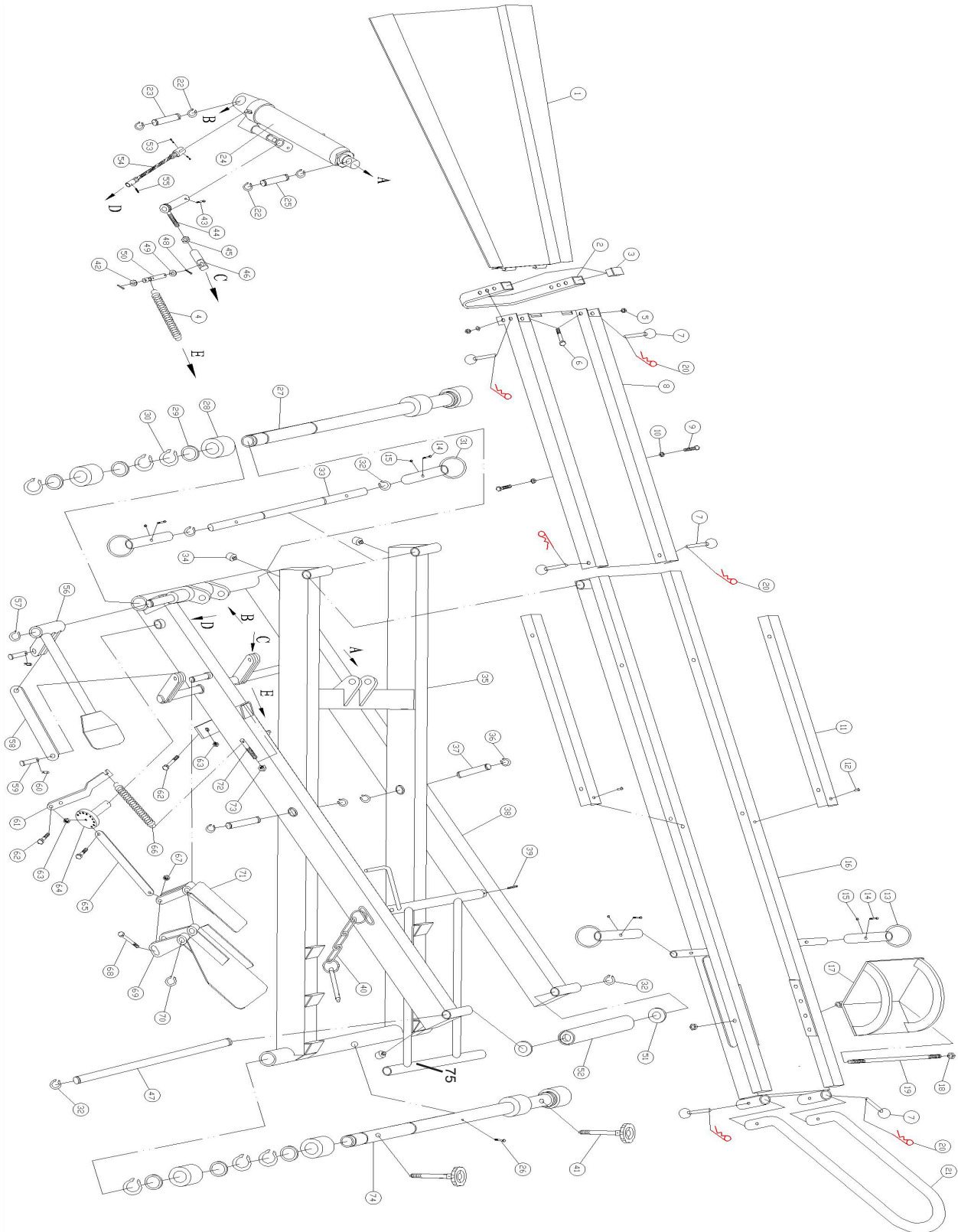
### Troubleshooting

	Possible Causes	Likely Solutions
Motorcycle Lift does not lift	<ol style="list-style-type: none"> <li>1. Steel Ball (13a) in the Discharge Valve or the single-way valve of the Hydraulic Cylinder does not seat or seal well.</li> <li>2. Steel Ball (13a) in the Single-way valve does not seat or seal well.</li> <li>3. Hydraulic Ram may require purging.</li> <li>4. Discharge Valve is open.</li> </ol>	<ol style="list-style-type: none"> <li>1. Clean or replace these components.</li> <li>2. Clean or replace these components.</li> <li>3. Purge Ram. See instructions on page 6.</li> <li>4. Tighten the discharge valve.</li> </ol>
Motorcycle Lift does not lower	<ol style="list-style-type: none"> <li>1. Discharge Valve is not open</li> </ol>	<ol style="list-style-type: none"> <li>1. Check function of Release Linkage Assembly (54).</li> </ol>
Motorcycle Lift Fades (slowly lowers on its own)	<ol style="list-style-type: none"> <li>1. Leaking Valves or Seals.</li> <li>2. Low on oil in system.</li> <li>3. Hydraulic Cylinder may require purging.</li> </ol>	<ol style="list-style-type: none"> <li>1. Take to qualified repair technician for service</li> <li>2. Check oil level. Refill and purge as necessary. Follow instructions for purging system.</li> <li>3. Purge Hydraulic Ram. See instructions on page 6.</li> </ol>
Oil leaks from top rod of Hydraulic Ram (24).	<ol style="list-style-type: none"> <li>1. Ram O-ring (2a or 6a) is worn out.</li> </ol>	<ol style="list-style-type: none"> <li>1. Replace the O-ring.</li> </ol>
Oil leaks from the pump and cylinder	<ol style="list-style-type: none"> <li>1. O-ring at pump (18a) or Oil Seal (3a or 10a) is worn out.</li> </ol>	<ol style="list-style-type: none"> <li>1. Replace the O-ring or Oil Seal.</li> </ol>



**Follow all safety precautions whenever diagnosing or servicing the tool.**

# OVERALL ASSEMBLY DIAGRAM



## PARTS LIST FOR OVERALL ASSEMBLY

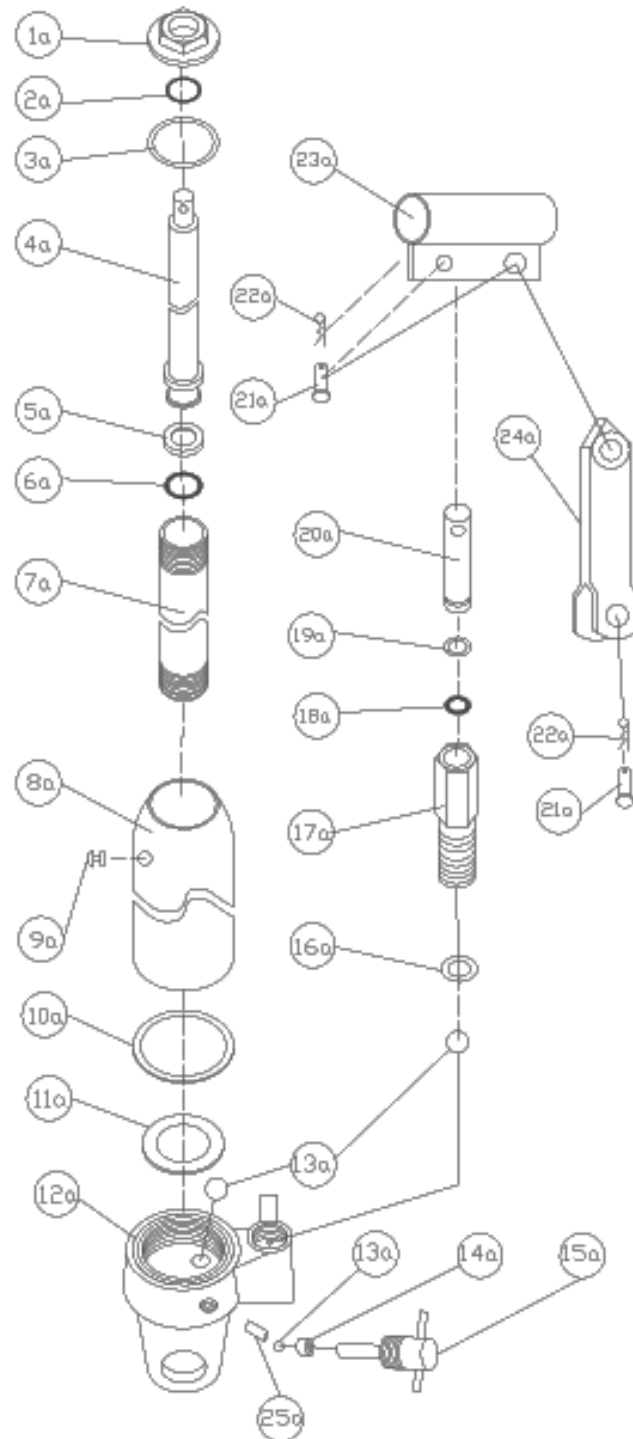
Item #	Description	QTY
1	Ramp	1
2	Pull Ramp Stand	1
3	End Cap	4
4	Pump Spring	1
5	Nut	2
6	Bolt	2
7	Pull Pin	6
8	Pull Ramp	1
9	Screw	2
10	Nut	2
11	Pull Ramp Guide	2
12	Rivet	2
13	Front Tie-Down Point	2
14	Bolt	4
15	Nut	4
16	Deck Plate	1
17	Wheel Chock	1
18	Nut	2
19	Wheel Lock Axle	1
20	R-Pin	2
21	Front Wheel Rest	1
22	Retaining Ring	4
23	Pump Base Pin	1
24	Hydraulic Ram	1
25	Pump Rod Pin	1
26	Bolt	1
27	Leg	1
28	Wheel	8
29	Washer	12
30	Retaining Ring	12
31	Rear Tie-Down Point	2
32	Retaining Ring	4
33	Pin	1
34	Rubber Gasket	4
35	Inner Scissor Arm	1
36	Retaining Ring	4
37	Pin	2
38	Outer Scissor Arm	1

Item #	Description	QTY
39	Pin	2
40	Safety Bar Lock Pin	1
41	Locking Bolt Assembly	2
42	Washer	1
43	Screw	1
44	Lever Linkage Assembly	1
45	Nut	1
46	Connecting Rod	1
47	Pin	1
48	Cotter Pin	3
49	Washer	2
50	Connecting Pin	1
51	Washer	2
52	Bushing	1
53	Screw	2
54	Release Linkage Assembly	1
55	Screw	1
56	Pump Pedal	1
57	Retaining Ring	1
58	Pump Link Plate	1
59	Pin	2
60	Pin	2
61	Spring Link Plate	1
62	Bolt	3
63	Nut	1
64	Release Link Ring	1
65	Release Link Plate	1
66	Release Spring	1
67	Nut	1
68	Bolt	1
69	Load Pedal	1
70	Retaining Ring	1
71	No Load Pedal	1
72	Screw	1
73	Nut	1
74	Leg	1
75	Safety Bar	1

---

## ASSEMBLY DIAGRAM FOR HYDRAULIC RAM

---



**Note:** All parts for the Hydraulic Ram Assembly have an “a” suffix, such as “19a”. Do not confuse these part numbers with the part numbers for the Overall Assembly which are listed on page 13, and have no suffix.

## **PARTS LIST FOR HYDRAULIC RAM**

<b>Part</b>	<b>Description</b>	<b>QTY</b>
1a	Ram Cap	1
2a	Ram O-Ring	1
3a	Top Sealing Gasket	1
4a	Ram Assembly	1
5a	Ram Gasket	1
6a	O-Ring	1
7a	Cylinder	1
8a	Oil Reservoir	1
9a	Oil Filler Plug	1
10a	Lower Sealing Gasket	1
11a	Washer	1
12a	Base	1
13a	Steel Ball	3

<b>Part</b>	<b>Description</b>	<b>QTY</b>
14a	Seal	1
15a	Release Valve	1
16a	Washer	1
17a	Pump Cylinder	1
18a	O-Ring	1
19a	Seal	1
20a	Piston Rod	1
21a	Pin	3
22a	Split Cotter Pin	3
23a	Handle Socket	1
24a	Link	1
25a	Pin	1

**Note:** This parts list is for the Hydraulic Ram Assembly. Please refer to Assembly diagram on previous page (14). All parts for Hydraulic Ram have an “a” suffix. For example

### **PLEASE READ THE FOLLOWING CAREFULLY**

THE MANUFACTURER AND/OR DISTRIBUTOR HAS PROVIDED THE PARTS LIST AND ASSEMBLY DIAGRAM IN THIS DOCUMENT AS A REFERENCE TOOL ONLY. NEITHER THE MANUFACTURER OR DISTRIBUTOR MAKES ANY REPRESENTATION OR WARRANTY OF ANY KIND TO THE BUYER THAT HE OR SHE IS QUALIFIED TO MAKE ANY REPAIRS TO THE PRODUCT, OR THAT HE OR SHE IS QUALIFIED TO REPLACE ANY PARTS OF THE PRODUCT. IN FACT, THE MANUFACTURER AND/OR DISTRIBUTOR EXPRESSLY STATES THAT ALL REPAIRS AND PARTS REPLACEMENTS SHOULD BE UNDERTAKEN BY CERTIFIED AND LICENSED TECHNICIANS, AND NOT BY THE BUYER. THE BUYER ASSUMES ALL RISK AND LIABILITY ARISING OUT OF HIS OR HER REPAIRS TO THE ORIGINAL PRODUCT OR REPLACEMENT PARTS THERETO, OR ARISING OUT OF HIS OR HER INSTALLATION OF REPLACEMENT PARTS THERETO.

---

## LIMITED 90 DAY WARRANTY

---

Harbor Freight Tools Co. makes every effort to assure that its products meet high quality and durability standards, and warrants to the original purchaser that this product is free from defects in materials and workmanship for the period of 90 days from the date of purchase. This warranty does not apply to damage due directly or indirectly, to misuse, abuse, negligence or accidents, repairs or alterations outside our facilities, criminal activity, improper installation, normal wear and tear, or to lack of maintenance. We shall in no event be liable for death, injuries to persons or property, or for incidental, contingent, special or consequential damages arising from the use of our product. Some states do not allow the exclusion or limitation of incidental or consequential damages, so the above limitation of exclusion may not apply to you. THIS WARRANTY IS EXPRESSLY IN LIEU OF ALL OTHER WARRANTIES, EXPRESS OR IMPLIED, INCLUDING THE WARRANTIES OF MERCHANTABILITY AND FITNESS.

To take advantage of this warranty, the product or part must be returned to us with transportation charges prepaid. Proof of purchase date and an explanation of the complaint must accompany the merchandise. If our inspection verifies the defect, we will either repair or replace the product at our election or we may elect to refund the purchase price if we cannot readily and quickly provide you with a replacement. We will return repaired products at our expense, but if we determine there is no defect, or that the defect resulted from causes not within the scope of our warranty, then you must bear the cost of returning the product.

This warranty gives you specific legal rights and you may also have other rights which vary from state to state.

**3491 Mission Oaks Blvd. • PO Box 6009 • Camarillo, CA 93011 • (800) 444-3353**

**Record Product's Serial Number Here:** \_\_\_\_\_

**Note:** If product has no serial number, record month and year of purchase instead.

**Note:** Some parts are listed and shown for illustration purposes only, and are not available individually as replacement parts.



## Free Manuals Download Website

<http://myh66.com>

<http://usermanuals.us>

<http://www.somanuals.com>

<http://www.4manuals.cc>

<http://www.manual-lib.com>

<http://www.404manual.com>

<http://www.luxmanual.com>

<http://aubethermostatmanual.com>

Golf course search by state

<http://golfingnear.com>

Email search by domain

<http://emailbydomain.com>

Auto manuals search

<http://auto.somanuals.com>

TV manuals search

<http://tv.somanuals.com>