



ATV MOTORCYCLE JACK 1500 LB. CAPACITY

Model 93033

ASSEMBLY and OPERATING INSTRUCTIONS



3491 Mission Oaks Blvd., Camarillo, CA 93011
Visit our Web site at <http://www.harborfreight.com>

Copyright© 2005 by Harbor Freight Tools®. All rights reserved. No portion of this manual or any artwork contained herein may be reproduced in any shape or form without the express written consent of Harbor Freight Tools .

For technical questions and replacement parts, please call 1-800-444-3353

Specifications

Construction:	Welded Steel and Cast Iron with Hydraulic Jack	Capacity:	1500 LBS.
Overall Dimensions:	30-1/8"L x 14-1/4"W x 1-1/2 - 4"H	Saddle Frame Dimensions:	12-1/4"L x 2-3/8"W x 1-5/8"H
Ram Diameter:	1-1/8"	Lift Height Range:	4-5/8" to 14-1/4"
Jack Operation:	Handle Pump	Net Weight:	59.8 LBS.

Save This Manual

You will need the manual for the safety warnings and precautions, assembly instructions, operating and maintenance procedures, parts list and diagram. Keep your invoice with this manual. Write the invoice number on the inside of the front cover. Keep the manual and invoice in a safe and dry place for future reference.

Safety Warnings and Precautions

WARNING: When using this product, basic safety precautions should always be followed to reduce the risk of personal injury and damage to equipment.

Read all instructions before using this product!

1. **Keep work area clean.** Cluttered areas invite injuries.
2. **Observe work area conditions.** Do not use ATV Motorcycle Jack in damp or wet locations. Don't expose to rain. Keep work area well lighted.
3. **Keep children away.** Children must never be allowed in the work area. Do not let them play with the ATV Motorcycle Jack.
4. **Store idle equipment.** When not in use, ATV Motorcycle Jack must be stored in a dry location to inhibit rust. Always lock up ATV Motorcycle Jack in a secure location, out of reach of children.
5. **Use the right tool for the job.** Do not attempt to force a small product or attachment to do the work of a larger industrial product. There are certain applications for which this product was designed. It will do the job better and more safely at the rate for which it was intended. Do not modify this product and do not use this product for a purpose for which it was not intended.
6. **Dress properly.** Do not wear loose clothing or jewelry as they can be caught in moving parts. Protective, electrically non-conductive clothes and non-skid footwear are recommended when working. Wear restrictive hair covering to contain long hair.
7. **Use eye protection.** Always wear ANSI approved impact safety goggles.
8. **Do not overreach.** Keep proper footing and balance at all times. Do not reach over or across running machines.
9. **Maintain tools with care.** Keep ATV Motorcycle Jack clean for better and safer performance. Follow instructions for lubricating and changing accessories. Inspect the

ATV Motorcycle Jack periodically, and if damaged, have it repaired by an authorized technician. The handle and pedals must be kept clean, dry, and free from oil and grease at all times.

10. **Stay alert.** Watch what you are doing, use common sense. Do not operate the ATV Motorcycle Jack when you are tired.
11. **Check for damaged parts.** Before using any product, any part that appears damaged should be carefully checked to determine that it will operate properly and perform its intended function. Check for alignment and binding of moving parts; any broken parts or mounting fixtures; and any other condition that may affect proper operation. Any part that is damaged should be properly repaired or replaced by a qualified technician. Do not use this product if the **Lifting Frame (2)** doesn't work properly.
12. **Replacement parts and accessories.** When servicing, use only identical replacement parts. Use of any other parts will void the warranty. Only use accessories intended for use with this tool.
13. **Do not operate ATV Motorcycle Jack if under the influence of alcohol or drugs.** Read warning labels on prescriptions to determine if your judgment or reflexes are impaired while taking drugs. If there is any doubt, do not operate the ATV Motorcycle Jack
14. **Maintenance.** For your safety, maintenance should be performed regularly by a qualified technician.

Additional Safety Warnings and Precautions

1. Only operate this product on a flat, dry, level surface, capable of supporting the weight of this product and the load.
2. Do not attempt to lift equipment greater than the 1500 Lbs. maximum capacity.
3. Always use good quality hydraulic oil in the Jack. Do not mix various oils, and when filling the Jack, make sure no dirt or debris enters the hydraulic system.
4. Once a load is elevated, do not move the ATV Motorcycle Jack. The wheels on this product are designed to move the ATV Motorcycle Jack without a load.
5. Always engage the **Stop Bars (33 and 35)** when lifting a vehicle. See FIGURE 2 on page 5.
6. Lower the load slowly, in a controlled fashion. Never allow the load to drop quickly.
7. Never allow anyone to ride on this product when it is being raised, lowered, or while holding a load.
8. Keep fingers and hands away from the **Lift Arms (4 and 6)** when raising or lowering. Keep onlookers and children a safe distance during operation.
9. Use tie-down straps (not included) to secure the load.
10. This is a temporary lifting device only. It is not designed to support loads for extended periods of time.
11. Before each use, check for hydraulic oil leaks; never operate the Lift if leaks are present.

12. Never drop a load onto the Lift, may create for a brief instant, an excess load, which may result in damage to the product and/or personal injury.
13. Not to be used for any aircraft purposes.
14. Always center the load on the Saddle Platform (5). Make sure the Platform does not damage the motorcycle.

Warning: The warnings, cautions, and instructions discussed in this instruction manual cannot cover all possible conditions and situations that may occur. It must be understood by the operator that common sense and caution are factors which cannot be built into this product, but must be supplied by the operator.

Unpacking

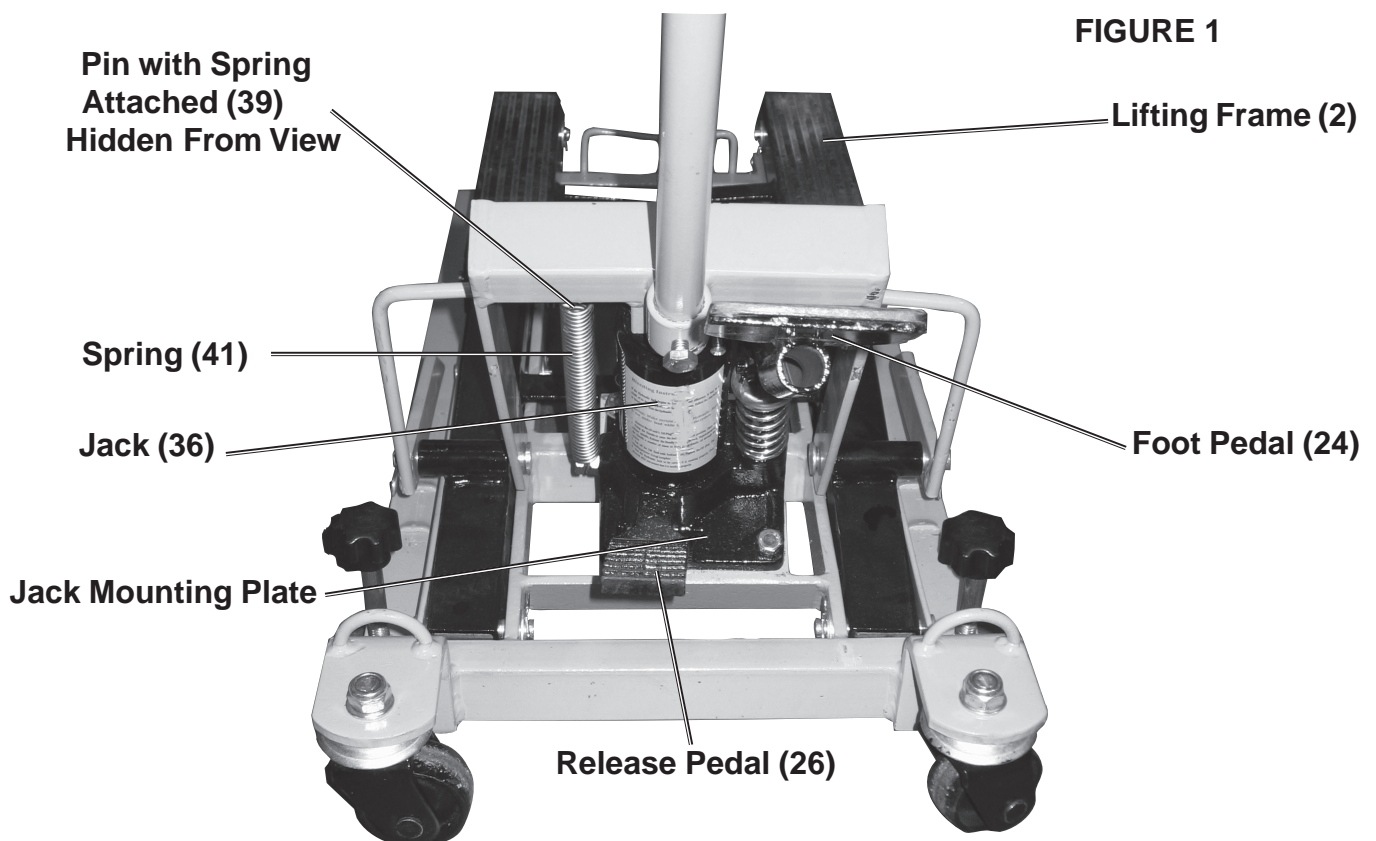
When unpacking, check to make sure the parts listed on pages 7 and 9 are included. If any parts are missing or broken, please call Harbor Freight Tools at the number on the cover of this manual as soon as possible.

Assembly

See the Assembly Drawing on page 10.

Mounting the Jack into the Lifting Frame.

1. Being careful not to damage the **Release Pedal (26)**, secure the **Jack (36)** to the Jack Mounting Plate with two **Bolts (34)**. See **FIGURE 1** and the Assembly Drawing.
2. Place the upper end of the Jack's ram into the **Lifting Frame (2)**, securing it with a **Pin with Spring Attached (39)**.



Assembly (continued)

Mounting the Lifting Frame into position.

1. Position the **Stop Bar (3)** and **Lifting Frame (2)** as shown in the Assembly Drawing, so that the holes on the arms of both the **Stop Bar (3)** and **Lifting Frame (2)** line up with the holes on the welded tabs on the **Rear Lift Arms (4)**. Place **Pins (28)** through the **Lifting Frame (2)**, the **Tabs, Bushings (32)**, and **Stop Bar (3)**.

Please note: The Bushings fit around the Bolts and inside the Stop Bar.

2. Secure the Bolts with Washers (29 and 30) and Spring Pin (38).

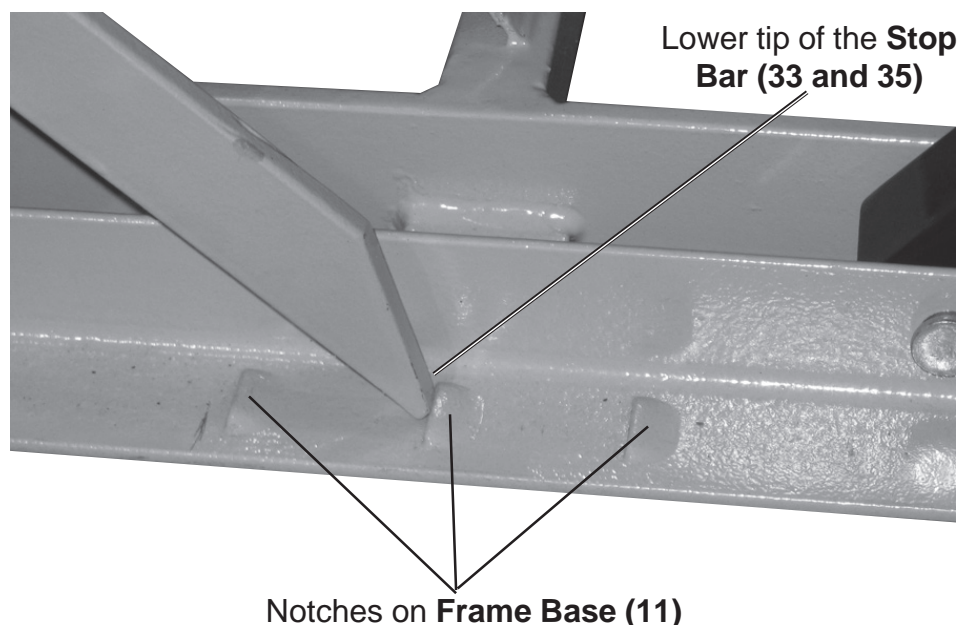
Installing the Pedal, Spring, and Handle.

1. Loosen and remove the screw that holds in the **Foot Pedal (24)**. Insert the **Foot Pedal (24)** into the receiver of the **Jack (36)**. Use the screw you loosened from the pedal assembly to secure the **Foot Pedal (24)** into the receiver of the Jack.
2. Insert the **Handle (1)** into the receptacle on the **Lifting Frame (2)** and secure it with the **Bolt (27)**.

Testing the Stop Bar (33 and 35).

The **Stop Bar (33 and 35)** must be locked in one of the four positions after lifting a load. Not engaging the **Stop Bar (33 and 35)** may result in serious injury or death, and damage the Lift. Before each use, check that the lower tips of the **Stop Bar (33 and 35)** fit behind the **Notches on Frame Base (11)**. See **FIGURE 2**.

FIGURE 2



Operation

Warning!! Never work on a vehicle that is on the ATV Motorcycle Jack, or leave it unattended, if the Stop Bar (33 and 35) is not in place, or the Lock Bolts (37) are not engaged (lifting the casters off of the ground).

Note: Keep fingers and hands away from the **Lift Arms (4 and 6)** when raising or lowering the Lift. Keep onlookers and children a safe distance from the Lift during operation.

Raising the Lift.

Note: Use a second person to assist, if needed.

1. Use the **Handle (1)** to roll this product and position it next to the load you wish to lift. To lower the lift so it will fit under the load, gently depress the **Release Pedal (26)**.

Note: Check the load manual for recommended lifting points.

2. Once positioned under the load at the correct lifting points, turn the **Lock Bolts (37)** until they contact the ground and lift the **Swivel Casters (20)** slightly off of the ground, to keep the lift from rolling.

3. Use tie-down straps (not included) to secure the load. Repeatedly depress the **Foot Pedal (24)** slowly, to raise the **Saddle Platform (5)**. When the lift makes contact with the load, make sure the load sits evenly on the two **Saddle Platform (5)** before raising the load off of the ground. If the load is not evenly distributed on the **Saddle Platform (5)** and it not secured in place with tie-down straps, it may fall from the **Saddle Platform (5)**, resulting in possible personal injury and property damage.

4. Continue to raise the lift until you reach the desired height. Disengage the **Stop Bar (3)** from the spring. You must lock the lift at one of the four locking positions with the **Stop Bar (3)**. See **FIGURE 2**.

5. **This is a lifting device only. It is not designed to support loads for extended periods of time. Do not work directly under the ATV lift.**

Lowering the ATV Motorcycle Jack.

Note: Remove all tools from under the lift before lowering.

1. Depress the **Foot Pedal (24)** slowly to raise the lift enough to disengage the **Stop Bar (3)**. Lift it up and attach it to the spring.

2. Make sure everyone is clear and slowly depress the **Release Pedal (26)** to lower the lift.

NOTE: The Rear Pedal is designed with a Safety Valve, so it needs to be pressed down only part way to lower the load. Once the load is on the ground, remove the tie-down straps (not included). When the lift is clear of the load, turn the **Lock Bolts (37)** until they are clear of the ground, allowing the **Swivel Casters (20)** to firmly contact the ground. Roll the ATV Motorcycle Jack clear of the load.

Maintenance

1. Keep your ATV Motorcycle Jack dry, protecting it from wet, corrosive environments.

2. Periodically lubricate the Jack's moving parts.

3. Periodically check that all of the Jack's hardware is securely fastened.

If the Jack does not work to full capacity, you may have air in the hydraulic system.

Maintenance (continued)

Bleeding and filling the Jack with hydraulic oil.

1. Place the Lift on a flat, level, solid surface.
2. If just filling the Jack, open the **Oil Filler Plug (10a)** and check the oil. Fill to the top of the **Oil Reservoir (9a)** with a high quality hydraulic oil if necessary.
3. If bleeding, with the **Oil Filler Plug (10a)** removed, use one foot to step on and keep the **Release Pedal (26)** down, while you quickly pump the **Foot Pedal (24)** ten times. This will bring all the air out of the system. Continue pumping until no more air bubbles appear. Fill to the top of the **Oil Reservoir (9a)** with a high quality hydraulic oil if necessary. Repeat if necessary.
4. Replace the **Oil Filler Plug (10a)** .
5. Test the Jack. Make sure it is functioning properly before attempting to lift another load. Pump the **Foot Pedal (24)** up and down several times, and test the **Release Pedal (26)** to make sure it is working properly; if not, repeat the above process. If the lift continues to function improperly, have a qualified service technician check the product.

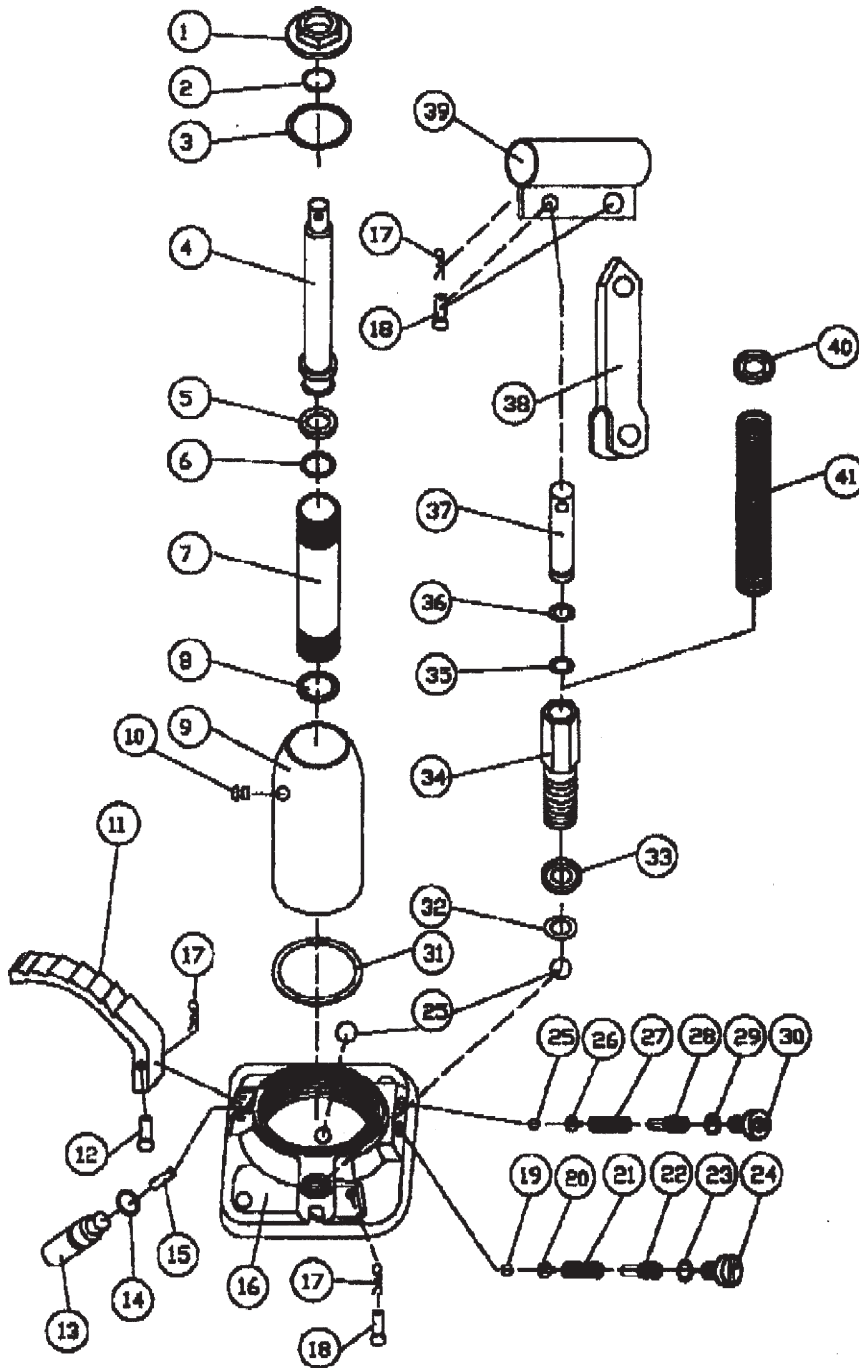
Jack (36) Parts List A

When ordering parts from this list, add the suffix “a” to the number.

Part No.	Description	Qty.	Part No.	Description	Qty.
1a	Ram Cap	1	21a	Spring	1
2a	Ram O-ring	1	22a	Screw	1
3a	Top Sealing Gasket	2	23a	O-ring	1
4a	Ram Assembly	1	24a	Screw	1
5a	Ram Gasket	1	25a	Ball	3
6a	O-ring	1	26a	Spring Plunger	1
7a	Cylinder	1	27a	Spring	1
8a	Lower Sealing Gasket	1	28a	Screw	1
9a	Oil Reservoir	1	29a	Washer	1
10a	Oil Filler Plug	1	30a	Screw	1
11a	Pedal Release Valve	1	31a	Lower Sealing Gasket	1
12a	Pin	1	32a	Washer	1
13a	Release Valve Rod	1	33a	Lower Spring Retainer	1
14a	O-ring	1	34a	Pump Cylinder	1
15a	Release Valve Pin	1	35a	O-ring	1
16a	Base	1	36a	Seal	1
17a	Split Cotter Pin	4	37a	Piston Rod	1
18a	Pin	3	38a	Link	1
19a	Steel Ball	1	39a	Handle Socket	1
20a	Spring Plunger	1	40a	Top Spring Retainer	1
			41a	Spring	1

Jack (36) Assembly Drawing A

When ordering parts from this diagram, add the suffix "a" to the number.



Parts List

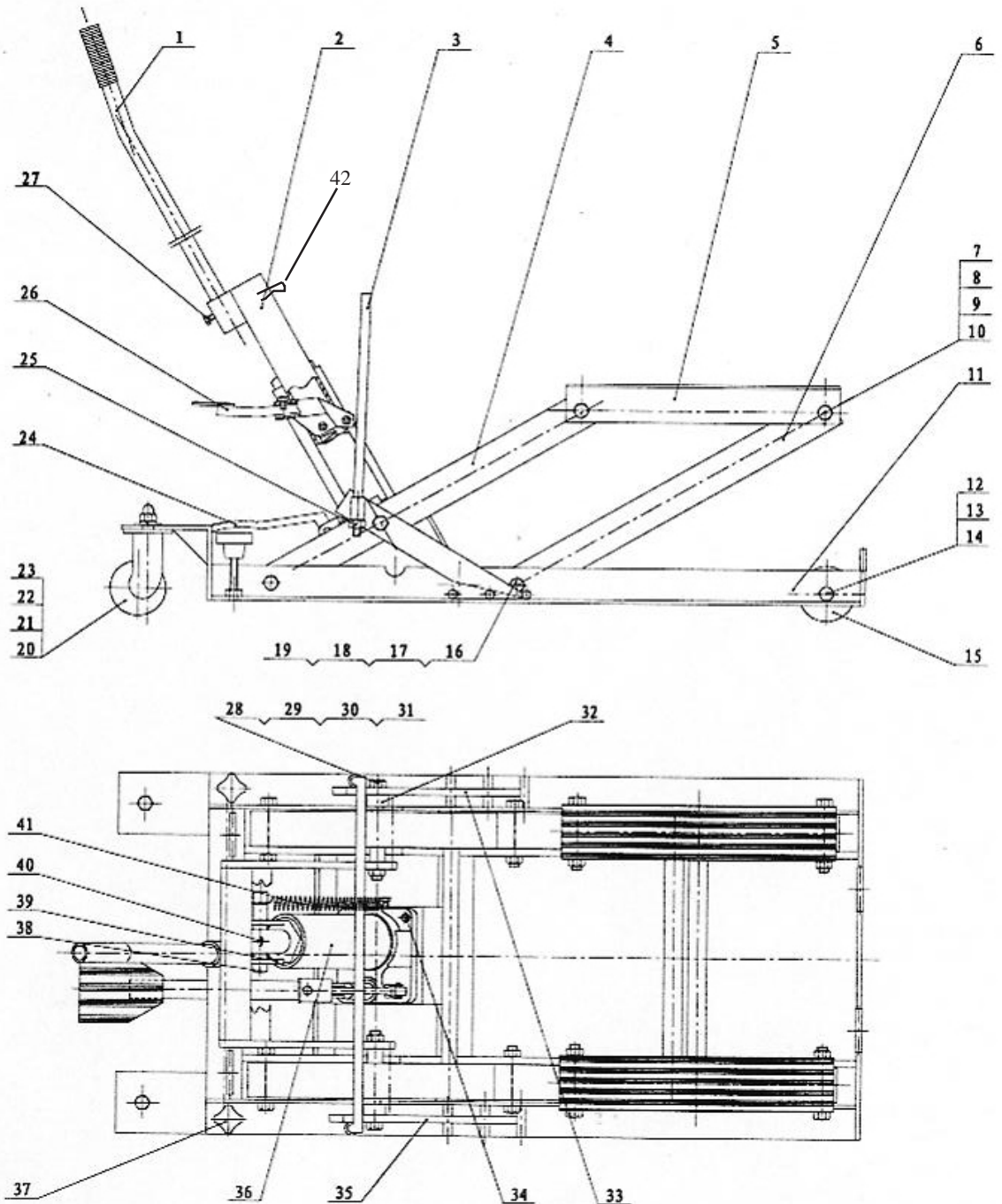
Part #	Description	QTY.	Part #	Description	QTY.
1	Handle	1	22	Washer	2
2	Lifting Frame	1	23	Nut	2
3	Stop Bar	1	24	Foot Pedal	1
4	Rear Lift Arm	1	25	Nut	2
5	Saddle Platform	1	26	Release Pedal	1
6	Front Lift Arm	1	27	Bolt	2
7	Bolt	4	28	Pin	2
8	Washer	4	29	Washer	2
9	Washer	4	30	Washer	2
10	Nut	4	31	Cotter Pin	2
11	Frame Base	1	32	Bushing	2
12	Bolt	4	33	Left Stop Bar	1
13	Washer	4	34	Bolt	2
14	Nut	4	35	Right Stop Bar	1
15	Front Castor	2	36	Jack	1
16	Bolt	2	37	Lock Bolt	2
17	Washer	2	38	Spring Pin	1
18	Washer	2	39	Pin with Spring Attached	1
19	Nut	2	40	Axle	1
20	Swivel Castor	2	41	Spring	1
21	Washer	2	42	Spring Clip	1

PLEASE READ THE FOLLOWING CAREFULLY

THE MANUFACTURER AND/OR DISTRIBUTOR HAS PROVIDED THE PARTS DIAGRAM IN THIS MANUAL AS A REFERENCE TOOL ONLY. NEITHER THE MANUFACTURER NOR DISTRIBUTOR MAKES ANY REPRESENTATION OR WARRANTY OF ANY KIND TO THE BUYER THAT HE OR SHE IS QUALIFIED TO MAKE ANY REPAIRS TO THE PRODUCT OR THAT HE OR SHE IS QUALIFIED TO REPLACE ANY PARTS OF THE PRODUCT. IN FACT, THE MANUFACTURER AND/OR DISTRIBUTOR EXPRESSLY STATES THAT ALL REPAIRS AND PARTS REPLACEMENTS SHOULD BE UNDERTAKEN BY CERTIFIED AND LICENSED TECHNICIANS AND NOT BY THE BUYER. THE BUYER ASSUMES ALL RISK AND LIABILITY ARISING OUT OF HIS OR HER REPAIRS TO THE ORIGINAL PRODUCT OR REPLACEMENT PARTS THERETO, OR ARISING OUT OF HIS OR HER INSTALLATION OF REPLACEMENT PARTS THERETO.

NOTE: Some parts are listed and shown for illustration purposes only and are not available individually as replacement parts.

Assembly Drawing



Free Manuals Download Website

<http://myh66.com>

<http://usermanuals.us>

<http://www.somanuals.com>

<http://www.4manuals.cc>

<http://www.manual-lib.com>

<http://www.404manual.com>

<http://www.luxmanual.com>

<http://aubethermostatmanual.com>

Golf course search by state

<http://golfingnear.com>

Email search by domain

<http://emailbydomain.com>

Auto manuals search

<http://auto.somanuals.com>

TV manuals search

<http://tv.somanuals.com>