

# SMALL SIT OR STAND WALKER WITH HAND BRAKE

## Model 92987

### ASSEMBLY & OPERATING INSTRUCTIONS



3491 Mission Oaks Blvd., Camarillo, CA 93011  
Visit our Web Site at [www.harborfreight.com](http://www.harborfreight.com)

Copyright© 2005 by Harbor Freight Tools®. All rights reserved. No portion of this manual or any artwork contained herein may be reproduced in any shape or form without the express written consent of Harbor Freight Tools.

**For technical questions and replacement parts please call 1-800-444-3353.**

THANK YOU for choosing a **HARBOR FREIGHT TOOLS** product. For future reference, please complete the owner's record below:

**Model** \_\_\_\_\_ **Serial No.** \_\_\_\_\_ **Purchase Date** \_\_\_\_\_

SAVE THE RECEIPT, WARRANTY AND THESE INSTRUCTIONS. It is important that you read the entire manual to become familiar with the unit BEFORE you begin assembly.

#### **Technical Specifications**

Seven Handle Adjustments: Minimum height of 28-1/8" to maximum height of 32-3/8"  
Floor to Seat: 18-1/2 "  
Seat Dimensions: 13" x 14"  
Wire Basket: Included  
Maximum Weight Capacity: 250 Lbs.



***READ ALL INSTRUCTIONS BEFORE USING THIS PRODUCT!***

#### **Safety Warnings and Precautions**

**WARNING:** When using product, basic safety precautions should always be followed to reduce the risk of personal injury and damage to equipment.

**Read all instructions before using this product!**

1. **Keep work area clean.** Cluttered areas invite injuries.
2. **Observe work area conditions.** Keep work area well lighted.
3. **Store idle equipment.** When not in use, the Walker can be folded up and stored in a dry location.
4. **Use the right product for the job.** There are certain applications for which the Walker was designed. Do not modify the Walker and do not use the Walker for a purpose for which it was not intended.
5. **Check for damaged parts.** Before using any product, any part that appears damaged should be carefully checked to determine that it will operate properly and perform its intended function. Check for any broken or damaged parts and any other conditions that may affect its operation. Replace or repair damaged or worn parts immediately.
6. **Replacement parts and accessories.** When servicing, use only identical replacement parts. Use of any other parts will void the warranty.
7. **Do not operate product if under the influence of alcohol or drugs.** Read warning labels on prescriptions to determine if your judgment or reflexes are impaired while taking drugs. If there is any doubt, do not operate the product.
8. **Use eye protection.** Always wear ANSI approved impact safety goggles when assembling this product.
9. **Do not exceed the product's maximum load capacity of 250 Lbs.**

11. **Do not allow children to play with, stand upon or climb on the Walker.**
12. **Always check hardware and assembled parts after assembling.** All connections should be tight and hardware tightened.

### **SPECIAL WARNINGS FOR THIS PRODUCT**

1. **Before use, make certain your Walker is fully opened, the seat is down completely, and the folding bar beneath the seat is in the locked position.**
2. **Check that both handles are at equal heights.** If one is lower than the other, adjust accordingly. Apply gentle pressure to the Handles to test the stability of the Walker before use.
3. **Test brakes thoroughly before use.** The brake bar on the wheels will prevent the wheels from rolling when the brake is set in the locked position. If the wheels turn while the brakes are locked, have the brakes adjusted by an authorized technician. Under no circumstances should you use this product if the brakes do not lock properly.
4. **Always put brakes in the locked position before sitting on the seat.** Do not sit on the seat unless you are on even, level ground.
5. **Check tires periodically and replace when worn.**
6. **This product is not a cart or a wheel chair.** Do not use it to push or carry people or objects (except for objects in the basket). Do not load more than 25 Lbs. in the basket.
7. **Do not exceed the maximum load capacity of 250 Lbs.**

**Warning:** The warnings, cautions, and instructions discussed in this instruction manual cannot cover all possible conditions and situations that may occur. It must be understood by the operator that common sense and caution are factors which cannot be built into this product, but must be supplied by the operator.

### **Unpacking**

When unpacking your Walker, check to make sure that all of the parts listed on page 5 are included. If any parts are missing or broken, please call **HARBOR FREIGHT TOOLS at 1-800-444-3353.**

### **Assembly**

Your Walker will require minor assembly before use. It is important that you read the entire manual to become familiar with the product BEFORE you use the Walker. Before using the Walker, check to make sure that the product is intact, undamaged and working properly.

### **Handles**

If not already in place, set one Collar (21) securely onto each side of the Front Frame (20). Insert the Handle (10) down into the Front Frame (20). Loosen the Knob (22) and insert the Handle (10) down through the Collar (21) on each side of the Handle (10)-see Figure 1. Repeat these assembly steps for the other Handle (10).

### **Attaching the Back rest Bar (6)**

1. Insert both ends of the Backrest Bar (6) with Foam Tubing (7) down into the fitting located at the front of the Front Frame (20)-see Figure 2. To do so you must pull out the Pin located on the front of the fitting. While pulling up on the Pin, insert the Bolt (8) located on the Backrest Bar (6) down into the fitting. Release the Pin-see Figure 2.

2. Pull up on the Backrest Bar (6) to make certain that it is securely locked into place.

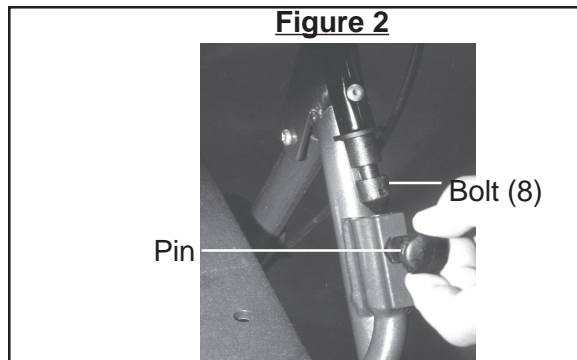
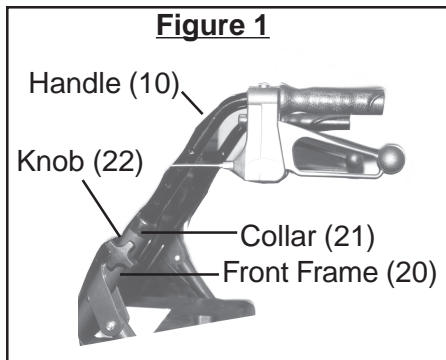
### **Attaching the Basket (9)**

Hang the Basket (9) from the bar located directly beneath the Plastic Seat (1) and rest the fitted bottom of the Basket (9) onto the bar at the bottom of the Walker.

**Once the Walker is completely assembled, test it to make certain that it folds and unfolds properly, that the wheels roll, and that the brakes work. Make certain that it is stable and that all hardware is securely tightened.**

### **Operation**

1. To slow down or stop temporarily, squeeze the Handgrip (3) and the Brake Loop (2) together firmly.



2. To lock the 6" Wheels (18) in place, with your foot push down on the Brake Lock (12) over each rear 6" Wheel (18). Make certain that the Brake Lock (12) is securely in place and that the 6" Wheels (18) are securely locked.
3. To unlock the 6" Wheels (18), release the tab on each Brake Lock (12) with your foot.
4. The Rollator Walker is easily collapsible when you want to take it in the car, on an airplane, or for other storage purposes. Simply remove the Basket (9) and pull up on the grip opening on the Plastic Seat (1).

To unfold the Rollator Walker, place all of the 6" Wheels (18) on the ground and push down on the Plastic Seat (1) until the Walker fully opens. Make certain that the Walker is stable before using it.

**Warning :** This Walker should only be used by a person who needs some assistance while walking. Responsible adult supervision is required if the user is unstable and especially when the user is getting in and out of the seat.

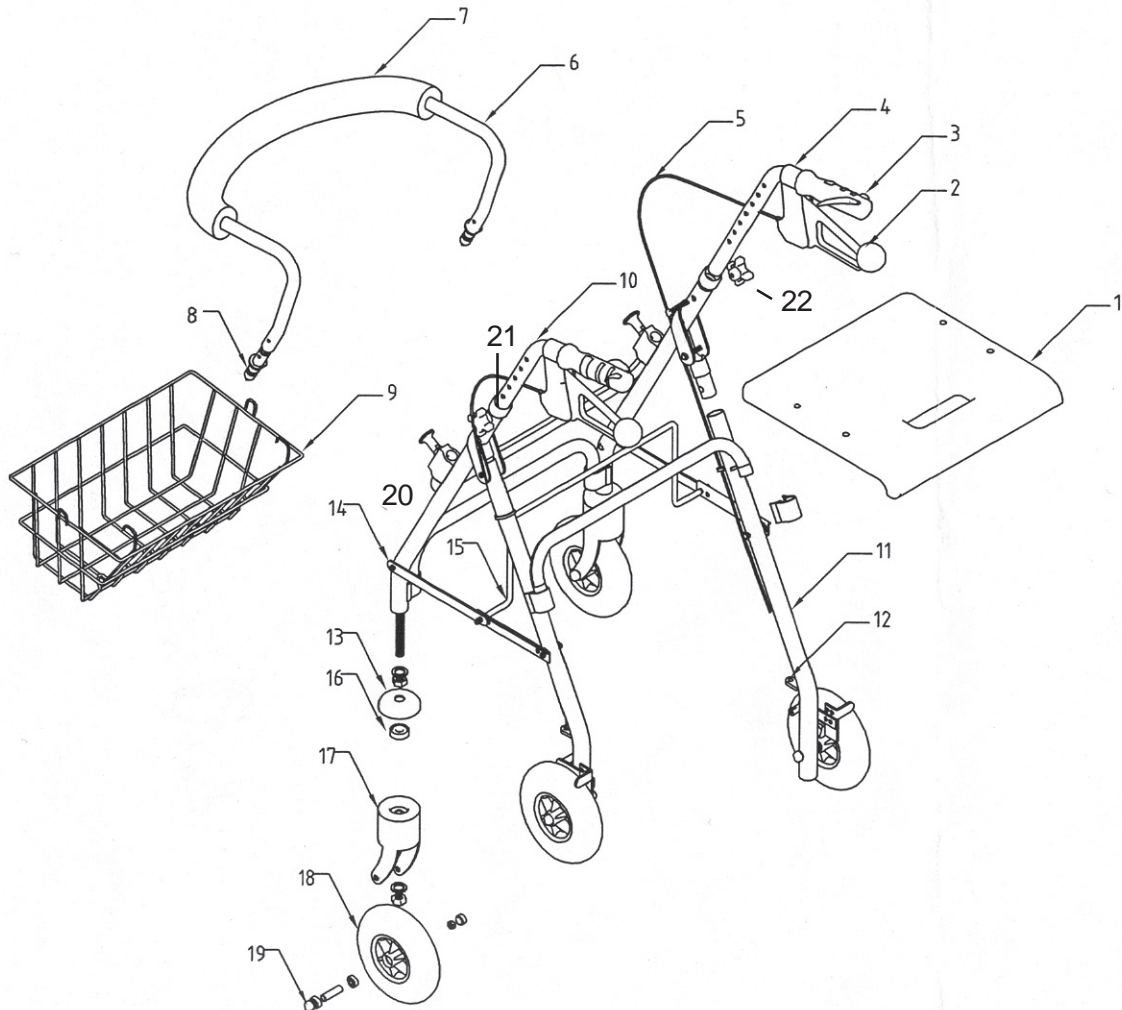
#### **PLEASE READ THE FOLLOWING CAREFULLY**

**THE MANUFACTURER AND/OR DISTRIBUTOR HAS PROVIDED THE PARTS DIAGRAM IN THIS MANUAL AS A REFERENCE TOOL ONLY. NEITHER THE MANUFACTURER NOR DISTRIBUTOR MAKES ANY REPRESENTATION OR WARRANTY OF ANY KIND TO THE BUYER THAT HE OR SHE IS QUALIFIED TO MAKE ANY REPAIRS TO THE PRODUCT OR THAT HE OR SHE IS QUALIFIED TO REPLACE ANY PARTS OF THE PRODUCT. IN FACT, THE MANUFACTURER AND/OR DISTRIBUTOR EXPRESSLY STATES THAT ALL REPAIRS AND PARTS REPLACEMENTS SHOULD BE UNDERTAKEN BY CERTIFIED AND LICENSED TECHNICIANS AND NOT BY THE BUYER. THE BUYER ASSUMES ALL RISK AND LIABILITY ARISING OUT OF HIS OR HER REPAIRS TO THE ORIGINAL PRODUCT OR REPLACEMENT PARTS THERETO, OR ARISING OUT OF HIS OR HER INSTALLATION OF REPLACEMENT PARTS THERETO.**

## PARTS LIST

Part #	Description	Quantity	Part #	Description	Quantity
1	Plastic Seat	1	13	Wheel Fork Bearing Cap	2
2	Brake Loop	2	14	Cross Bar	2
3	Hand Grip (right/left)	1	15	L-Shape Joint	2
4	Control Plate	2	16	Bearing	4
5	Brake Cable	2	17	Wheel Fork	2
6	Backrest Bar	1	18	6" Wheel	4
7	Foam Tubing	1	19	Nut Cap	8
8	Bolt	2	20	Front Frame	2
9	Basket	1	21	Collar	2
10	Handle	1	22	Knob	1
11	Back Frame	2			
12	Brake Lock	2			

## PARTS DIAGRAM



## Free Manuals Download Website

<http://myh66.com>

<http://usermanuals.us>

<http://www.somanuals.com>

<http://www.4manuals.cc>

<http://www.manual-lib.com>

<http://www.404manual.com>

<http://www.luxmanual.com>

<http://aubethermostatmanual.com>

Golf course search by state

<http://golfingnear.com>

Email search by domain

<http://emailbydomain.com>

Auto manuals search

<http://auto.somanuals.com>

TV manuals search

<http://tv.somanuals.com>