

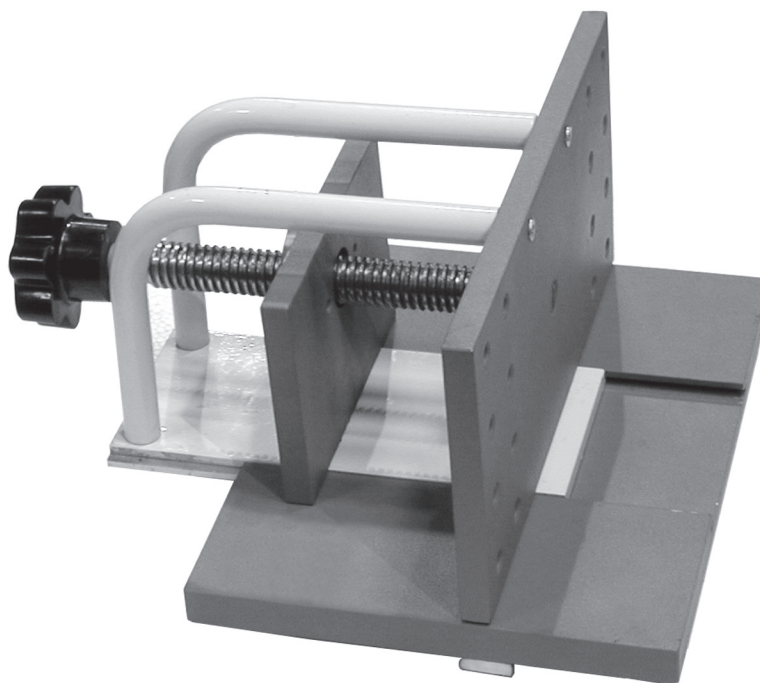
CENTRAL MACHINERY

®

HAND HELD SAW MILL

Model 92247

ASSEMBLY AND OPERATING INSTRUCTIONS



Distributed Exclusively by



**HARBOR FREIGHT
TOOLS**



®

3491 Mission Oaks Blvd., Camarillo, CA 93011
Visit our Web site at <http://www.harborfreight.com>

Copyright © 2004 by Harbor Freight Tools®. All rights reserved. No portion of this manual or any artwork contained herein may be reproduced in any shape or form without the express written consent of Harbor Freight Tools.

For technical questions and replacement parts, please call 1-800-444-3353

Specifications

Item	Description
Dimensions	6 (W) x 7-7/8 (L) x 4-1/2 (H) inches
Fence	Size: 7-7/8 (W) x 4 (H) x 3/8 (T) inches; Adjustable 4-1/2 inches lateral travel (maximum) with Acme lead screw
Weight	5.8 lbs.

Save This Manual

You will need the manual for the safety warnings and precautions, assembly instructions, operating and maintenance procedures, parts list and diagram. Keep your invoice with this manual. Write the invoice number on the inside of the front cover. Keep the manual and invoice in a safe and dry place for future reference.

Safety Warnings and Precautions

WARNING: When using tool, basic safety precautions should always be followed to reduce the risk of personal injury and damage to equipment.

Read all instructions before using this tool!

1. **Keep work area clean.** Cluttered areas invite injuries.
2. **Observe work area conditions.** Do not use machines or power tools in damp or wet locations. Don't expose to rain. Keep work area well lighted. Do not use electrically powered tools in the presence of flammable gases or liquids.
3. **Keep children away.** Children must never be allowed in the work area. Do not let them handle machines, tools, or extension cords.
4. **Store idle equipment.** When not in use, tools must be stored in a dry location to inhibit rust. Always lock up tools and keep out of reach of children.
5. **Use the right tool for the job.** Do not attempt to force a small tool or attachment to do the work of a larger industrial tool. There are certain applications for which this tool was designed. It will do the job better and more safely at the rate for which it was intended. Do not modify this tool and do not use this tool for a purpose for which it was not intended.
6. **Dress properly.** Do not wear loose clothing or jewelry as they can be caught in moving parts. Protective, electrically non-conductive clothes and non-skid footwear are recommended when working. Wear restrictive hair covering to contain long hair.
7. **Use eye and ear protection.** Always wear ANSI approved impact safety glasses. Wear a full face shield (over the safety glasses) if you are producing metal filings or wood chips. Wear an ANSI approved dust mask or respirator when working around metal, wood, and chemical dusts and mists.
8. **Do not overreach.** Keep proper footing and balance at all times. Do not reach over or across running machines.

9. **Maintain tools with care.** Keep tools sharp and clean for better and safer performance. Follow instructions for lubricating and changing accessories. Inspect tool cords periodically and, if damaged, have them repaired by an authorized technician. The handles must be kept clean, dry, and free from oil and grease at all times.
10. **Disconnect power.** Unplug band saw when not in use.
11. **Remove adjusting keys and wrenches.** Check that keys and adjusting wrenches are removed from the tool or machine work surface before plugging it in.
12. **Avoid unintentional starting.** Be sure the band saw switch is in the Off position when not in use and before plugging in.
13. **Stay alert.** Watch what you are doing, use common sense. Do not operate any tool when you are tired.
14. **Take caution as some woods contain preservatives such as copper chromium arsenate (CCA) which can be toxic.** When cutting these materials extra care should be taken to avoid inhalation and minimize skin contact.
15. **Check for damaged parts.** Before using any tool, any part that appears damaged should be carefully checked to determine that it will operate properly and perform its intended function. Check for alignment and binding of moving parts; any broken parts or mounting fixtures; and any other condition that may affect proper operation. Any part that is damaged should be properly repaired or replaced by a qualified technician. Do not use the tool if any switch does not turn On and Off properly.
16. **Guard against electric shock.** Prevent body contact with grounded surfaces such as pipes, radiators, ranges, and refrigerator enclosures.
17. **Replacement parts and accessories.** When servicing, use only identical replacement parts. Use of any other parts will void the warranty.
18. **Do not operate tool if under the influence of alcohol or drugs.** Read warning labels if taking prescription medicine to determine if your judgment or reflexes are impaired while taking drugs. If there is any doubt, do not operate the tool.
19. **Maintenance.** For your safety, service and maintenance should be performed regularly by a qualified technician.
20. **Band Saw Precautions.** Read and understand the Band Saw Operation Manual and follow all operational, safety warnings and precautions therein before each use.
21. **Use tools with both hands when required.** Many tools such as this Saw Mill, and chain saws, drills, routers, etc., require the use of both hands when operating. This helps maintain tool stability and keeps hands away from the working area of the tool.

Warning: The brass components of this product contain lead, a chemical known to the State of California to cause birth defects (or other reproductive harm). (California Health & Safety Code 25249.5 et seq.)

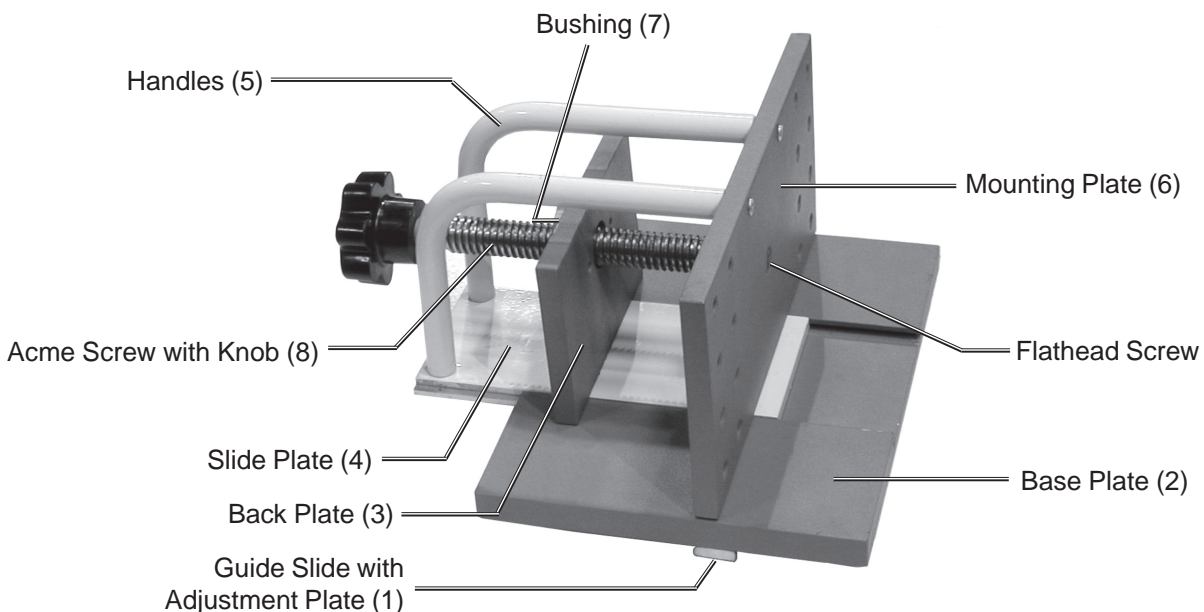
Additional Product Specific Safety Precautions

1. Before using, read all instruction and safety warnings provided in the instruction manual provided with the Band Saw being used.
2. Verify that all Band Saw safety devices are installed correctly.
3. Verify that the saw blade is sharp and at proper tension.
4. Check that all saw blade guides are in place and properly adjusted.
5. Never leave the band saw unattended while running. Turn power off and wait until the blade stops before adjusting the Saw Mill.
6. Before turning on the Band Saw, place the Saw Mill with attached log on the Band Saw Table and make Fence depth adjustments. Verify that the log mounting screws will not come into contact with the saw blade during a cut.
7. Before using the Saw Mill, make sure that all its assembly screws are tight.
8. This product is designed to be used only with Band Saws.

Warning: The warnings, cautions, and instructions discussed in this instruction manual cannot cover all possible conditions and situations that may occur. It must be understood by the operator that common sense and caution are factors which cannot be built into this product, but must be supplied by the operator.

Unpacking

When unpacking, check to make sure the following parts are included. Also refer to the Parts List and Assembly drawing located at the end of this manual. If any parts are missing or broken, please call Harbor Freight Tools at the number on the cover of this manual as soon as possible.

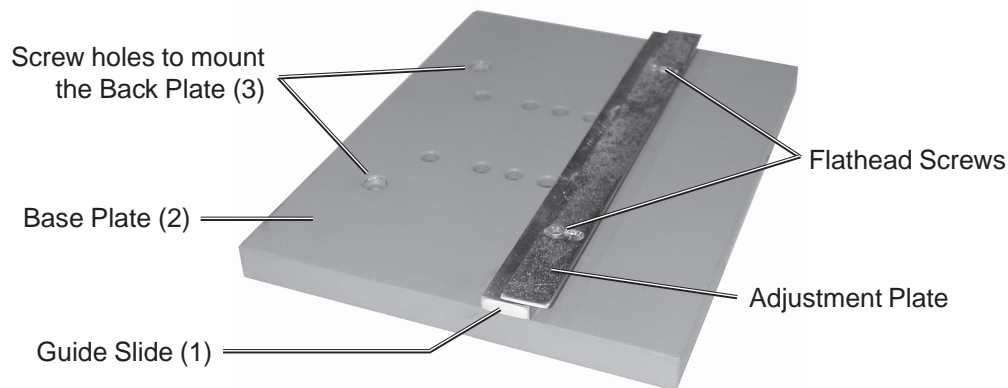


Assembly

To assist in assembly, refer to the photo on the previous page and the Assembly Drawing at the end of this manual. When inserting screws, be careful that they thread correctly so they do not strip threads.

1. Using two flathead screws, attach the Guide Slide with Adjustment Plate (1) to the underside of the Base Plate (2).

Before tightening the screws, place the Guide Slide with Adjustment Plate into the guide slot on the Band Saw Table. Move the Adjustment Plate (1) to fit the size of the guide slot. Securely tighten screws.



2. Mount the Back Plate (3) to the top of the Base Plate (2) using two flathead screws from the bottom of the Base Plate (2). Securely tighten screws.
3. Using two flathead screws, attach the Bushing (7) to the Back Plate (3). Do not fully tighten screws.
4. Attach the Mounting Plate (6) to the Slide Plate (4) using three flathead screws from the bottom of the Slide Plate.
5. Insert the Slide Plate (4), with Mounting Plate (6), into its track on the Base Plate (2). Slide in far enough to expose the Handle mounting holes in the end of the Slide Plate (4) as shown in the photo on page 4.
6. Attach the Handles (5) to both the Mounting Plate (6) and Slide Plate (4) using four flathead screws.
7. Carefully screw in the Acme Screw with Knob (8) through the Bushing (7).
8. Turn the Acme Screw with Knob (8) clockwise until its end goes into the center hole in the Mounting Plate (6). Secure with a flathead screw. See photo on page 6, left side.
9. Center the Bushing (7) on the hole in the Back Plate (3) and securely tighten screws.
10. Turn the Acme Screw with Knob (8) clockwise until the end Bushing force-fits into the Mounting Plate center hole.

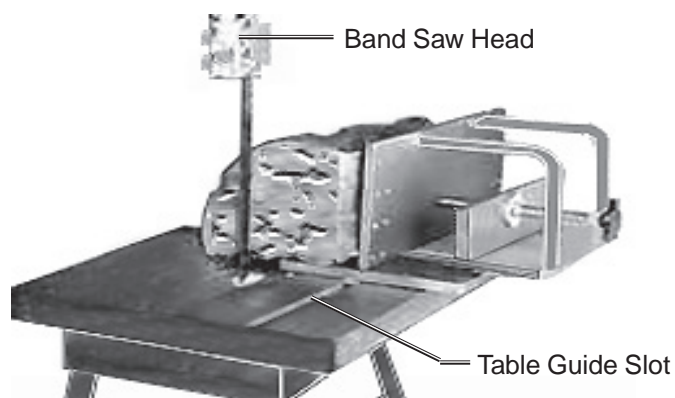
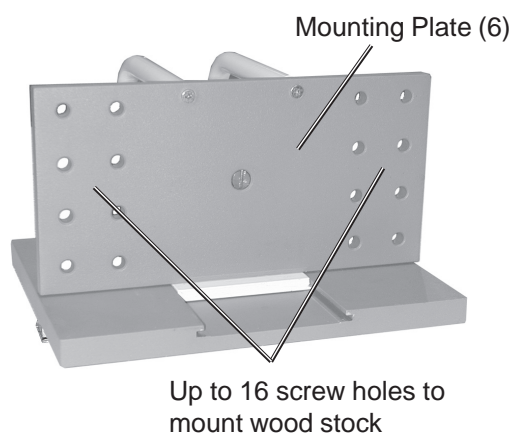
Operation

1. Select a dry log or other wood stock to cut.

The stock should be no longer than the band saw table. Otherwise, the Saw Mill Guide Slide (1) may come out of the table guide slot. Check for preexisting nails or screws in the wood stock and remove before cutting.

2. Turn the Acme Screw Knob (8) counterclockwise to bring the Mounting Plate all the way back.
3. Place the Saw Mill on a flat surface to mount the wood stock.
4. Select the side of the wood stock for the first cut, and place the opposite side against the Mounting Plate (6).
5. Select holes on opposite ends of the Mounting Plate (6) to insert holding screws (not supplied). Screw in until wood stock cannot move. Use at least one screw at each end. See photo below-left.

Use 1-1/4 inch wood or sheet-rock screws. For irregular shaped wood stock, find a hole in the Mounting Plate that comes the closest to the surface of the wood stock. This will keep the wood stock more stable during cutting.



6. Place the Saw Mill, with attached wood stock, on the band saw table. Insert the Guide Slide (1) into the Table Guide Slot. See photo above-right.
7. Adjust the band saw head up to clear the wood stock being cut.
8. Determine the depth of cut by measuring from the saw blade to the outer edge of the wood stock.

If a deeper cut is to be made, turn the Acme Screw Knob (8) clockwise. If a thinner cut is to be made, turn Knob counterclockwise. As an estimate, each full turn of the Knob equals about 1/8 inch.

Caution: Always be aware of the depth of the mounting screws so the saw blade does not come into contact while cutting the wood stock.

9. With the Saw Mill and wood stock already in place, turn on the band saw and allow it to come to full speed before continuing.

Caution: Avoid injuries. Always keep both hands and arms on one side of the saw blade. Never cross over the saw blade.

10. To begin cutting, place each hand on one Handle (5) and push the wood stock into the saw blade.

Push with a parallel movement to the saw blade in a smooth, even motion. Let the saw blade cut at its own speed. Do not force the wood stock into the saw blade.

11. When the cut is complete, immediately shut off the band saw.

Wait for the saw blade to stop before handling the wood stock and Saw Mill.

12. For the second and subsequent cuts, remove the mounting screws and rotate the wood stock. Replace mounting screws. Repeat steps 5 through 11. Only rotate the wood stock when the Band Saw is turned OFF.

Maintenance

1. Before each use, ensure all assembly screws are tight.
2. Periodically apply a light oil to the Acme Screw (8).
3. Store in a clean and dry location.

Parts List

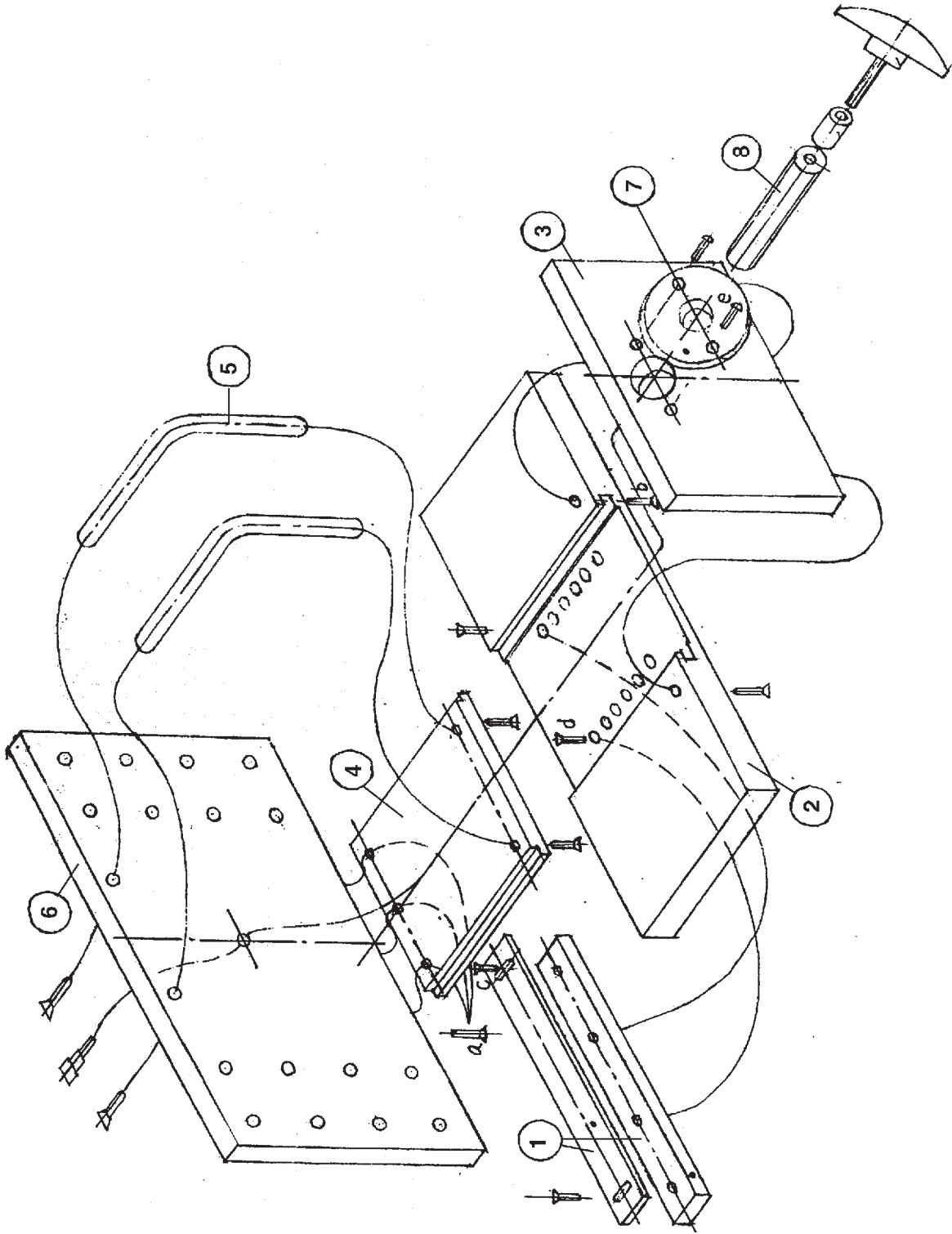
Item	Description	Qty
1.	Guide Slide with Adjustment Plate	1
2.	Base Plate	1
3.	Back Plate	1
4.	Slide Plate	1
5.	Handle	2
6.	Mounting Plate	1
7.	Bushing	1
8.	Acme Screw with Knob	1

NOTE: Some parts are listed and shown for illustration purposes only and are not available individually as replacement parts.

PLEASE READ THE FOLLOWING CAREFULLY

THE MANUFACTURER AND/OR DISTRIBUTOR HAS PROVIDED THE PARTS DIAGRAM IN THIS MANUAL AS A REFERENCE TOOL ONLY. NEITHER THE MANUFACTURER NOR DISTRIBUTOR MAKES ANY REPRESENTATION OR WARRANTY OF ANY KIND TO THE BUYER THAT HE OR SHE IS QUALIFIED TO MAKE ANY REPAIRS TO THE PRODUCT OR THAT HE OR SHE IS QUALIFIED TO REPLACE ANY PARTS OF THE PRODUCT. IN FACT, THE MANUFACTURER AND/OR DISTRIBUTOR EXPRESSLY STATES THAT ALL REPAIRS AND PARTS REPLACEMENTS SHOULD BE UNDERTAKEN BY CERTIFIED AND LICENSED TECHNICIANS AND NOT BY THE BUYER. THE BUYER ASSUMES ALL RISK AND LIABILITY ARISING OUT OF HIS OR HER REPAIRS TO THE ORIGINAL PRODUCT OR REPLACEMENT PARTS THERETO, OR ARISING OUT OF HIS OR HER INSTALLATION OF REPLACEMENT PARTS THERETO.

Assembly Drawing



Free Manuals Download Website

<http://myh66.com>

<http://usermanuals.us>

<http://www.somanuals.com>

<http://www.4manuals.cc>

<http://www.manual-lib.com>

<http://www.404manual.com>

<http://www.luxmanual.com>

<http://aubethermostatmanual.com>

Golf course search by state

<http://golfingnear.com>

Email search by domain

<http://emailbydomain.com>

Auto manuals search

<http://auto.somanuals.com>

TV manuals search

<http://tv.somanuals.com>