



# 12" ELECTRIC LAWN MOWER

**Model 47336**

## ASSEMBLY, AND OPERATION INSTRUCTIONS



Distributed exclusively by Harbor Freight Tools®.  
3491 Mission Oaks Blvd., Camarillo, CA 93011  
Visit our website at: <http://www.harborfreight.com>



**Read this material before using this product.  
Failure to do so can result in serious injury.  
SAVE THIS MANUAL.**

Copyright© 2002 by Harbor Freight Tools®. All rights reserved. No portion of this manual or any artwork contained herein may be reproduced in any shape or form without the express written consent of Harbor Freight Tools. Diagrams within this manual may not be drawn proportionally. Due to continuing improvements, actual product may differ slightly from the product described herein.

**For technical questions or replacement parts, please call 1-800-444-3353.**

Revised Manual 08d

## Specifications

ITEM	DESCRIPTION
Power Requirement	110 VAC, 60 Hz, single phase, 13.8 startup amps
Motor	2800 RPM, double <input type="checkbox"/> insulated; centrifugal switch brake
Line Cord	30 inch, 16 AWG, UL approved; (requires connection to an outdoor rated, 10 amp extension cord, not supplied)
Power Switch	Hand squeeze with lock-off safety button
Cutting Blade	12 inch hardened steel; adjustment: 1 (min) - 3 (max) inches
Height Adjustment	Three position front and rear axles, spring loaded
Wheel Size	4-3/4 inch diameter
Overall Dimensions	15 (W) x 40 (L) x 37 (H) inches; with 16 inch (W) handle
Weight	25.9 lbs.

## Save This Manual

You will need the manual for the safety warnings and precautions, assembly instructions, operating and maintenance procedures, parts list and diagram. Keep your invoice with this manual. Write the invoice number on the inside of the front cover. Keep the manual and invoice in a safe and dry place for future reference.

## Safety Warnings and Precautions

**WARNING: When using this product, basic safety precautions should always be followed to reduce the risk of personal injury and damage to equipment.**

**Read all instructions before using this product and tools!**

1. **Keep work area clean.** Cluttered areas invite injuries.
2. **Observe work area conditions.** Do not use machines or power tools in damp or wet locations. Don't expose to rain. Keep work area well lighted. Do not use electrically powered tools in the presence of flammable gases or liquids.
3. **Keep children away.** Children should not be allowed to use the Lawnmower. Children must never be allowed in the cutting area. Do not let them handle machines, tools, or extension cords.
4. **Store idle equipment.** When not in use, this product must be stored in a dry location to inhibit rust. Always lock up tools and keep out of reach of children.
5. **Use the right tool for the job.** Do not attempt to force a small tool or attachment to do the work of a larger industrial tool. There are certain applications for which this product was designed. It will do the job better and more safely at the rate for which it was intended. Do not modify this product and do not use for a purpose for which it was not intended.
6. **Dress properly.** Do not wear loose clothing or jewelry as they can be caught in moving parts. Protective, electrically non-conductive clothes and non-skid footwear

are recommended when working. Wear restrictive hair covering to contain long hair. When using the Electric Lawnmower always wear shoes with enclosed toes. Never use while barefoot or while wearing open toed shoes.

7. **Use eye and ear protection.** Always wear ANSI approved impact safety goggles and ear protection.
8. **Do not overreach.** Keep proper footing and balance at all times. Do not reach over or across running machines.
9. **Maintain tools with care.** Keep tools sharp and clean for better and safer performance. Follow instructions for lubricating and changing accessories. Inspect tool cords periodically and, if damaged, have them repaired by an authorized technician. The handles must be kept clean, dry, and free from oil and grease at all times.
10. **Disconnect power.** Unplug tool when not in use.
11. **Remove adjusting keys and wrenches.** Check that keys and adjusting wrenches are removed from the tool or machine work surface before plugging it in.
12. **Avoid unintentional starting.** Be sure the switch is in the Off position when not in use and before plugging in. Do not attempt to lift or move this product with your finger on the trigger, whether it is plugged in or not.
13. **Stay alert.** Watch what you are doing, use common sense. Do not operate any tool when you are tired.
14. **Check for damaged parts.** Before using any tool, any part that appears damaged should be carefully checked to determine that it will operate properly and perform its intended function. Check for alignment and binding of moving parts; any broken parts or mounting fixtures; and any other condition that may affect proper operation. Any part that is damaged should be properly repaired or replaced by a qualified technician. Do not use the tool if any switch does not turn On and Off properly.
15. **Guard against electric shock.** Prevent body contact with grounded surfaces such as pipes, radiators, ranges, and refrigerator enclosures.
16. **Replacement parts and accessories.** When servicing, use only identical replacement parts. Use of any other parts will void the warranty. Only use accessories intended for use with this tool. Approved accessories are available from Harbor Freight Tools.
17. **Do not operate tool if under the influence of alcohol or drugs.** Read warning labels on prescriptions to determine if your judgment or reflexes are impaired while taking drugs. If there is any doubt, do not operate the tool.
18. **Use proper size and type extension cord.** The extension cord must be of the proper size and type to supply the correct current to the tool without heating up. Otherwise, the extension cord could melt and catch fire, or cause electrical damage to the tool. This tool requires use of an extension cord of **0 to 10 amps** capability (up to 50 feet), with wire size rated at **16 AWG**. Longer extension cords require larger size wire. If you are using the tool outdoors, use an extension cord rated for outdoor use. (signified by "WA" on the jacket).

19. **Maintenance.** For your safety, service and maintenance should be performed regularly by a qualified technician.
20. **Pacemaker safety warning.** People with pacemakers should consult with their physician(s) before using this product; operation of equipment in close proximity to a heart pacemaker could cause interference or failure of the pacemaker.

**Note:** Performance of this tool may vary depending on variations in local line voltage. Extension cord usage may also affect tool performance.

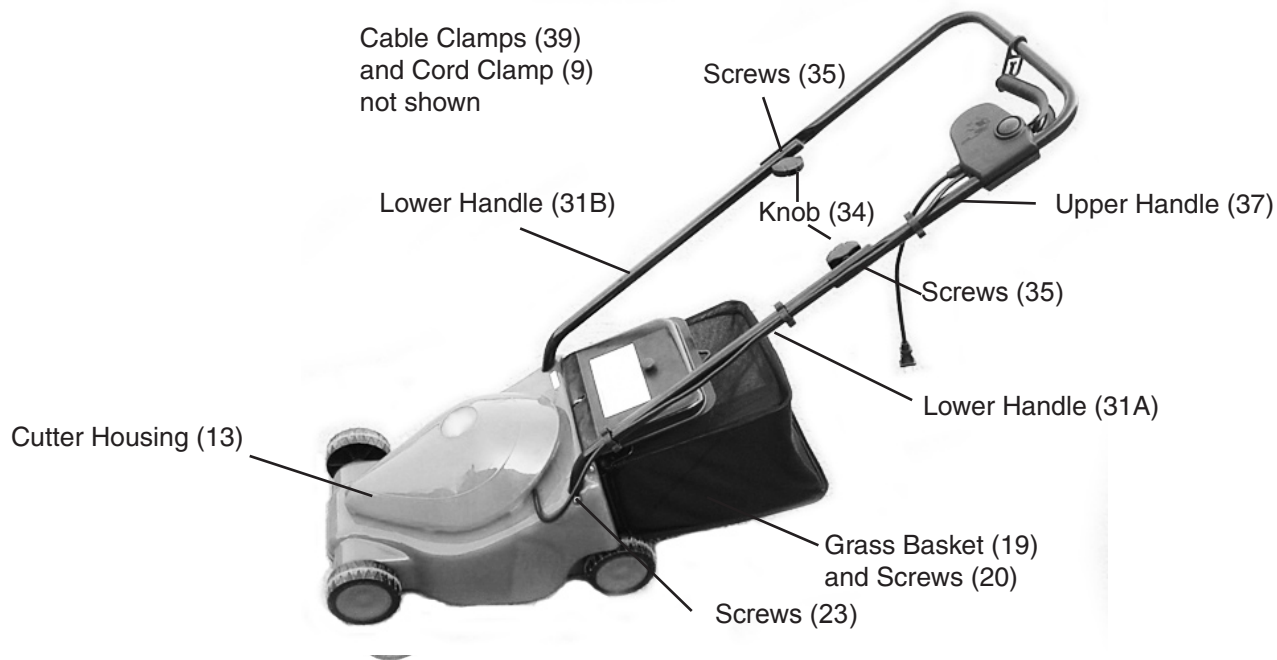
**Warning:** The warnings, cautions, and instructions discussed in this instruction manual cannot cover all possible conditions and situations that may occur. It must be understood by the operator that common sense and caution are factors which cannot be built into this product, but must be supplied by the operator.

### **Additional Lawnmower Safety Precautions**

1. The lawnmower should only be used for cutting grass. Never attempt to use the lawnmower to cut thick weed patches or plants. (i.e. ice plant, ivy, etc.)
2. Before mowing the grass, remove all obstacles from the grass that could cause damage to the mower, or personal injury if thrown.
3. Before plugging in the line cord, use a wrench and check the cutting blade for tightness.
4. Always mow across slopes, not up and down them.
5. Never tilt the lawnmower, or run it over surfaces other than grass when the motor is running.
6. Unplug the line cord and wait for the blade to stop turning before emptying the grass basket, carrying the mower, changing blades, clearing blockages, or when finished mowing. **Caution:** Always unplug the electrical cord before making any adjustments to the mower.
7. Be aware of the location of the extension cord at all times when mowing. If you cut the extension cord with the mower, unplug the extension cord from the electrical outlet immediately.
8. Never use the mower in the rain, or in wet conditions.
9. Never turn on the mower while it is lying on its side.
10. Unplug the Power Cord before lying the Lawnmower on its side.

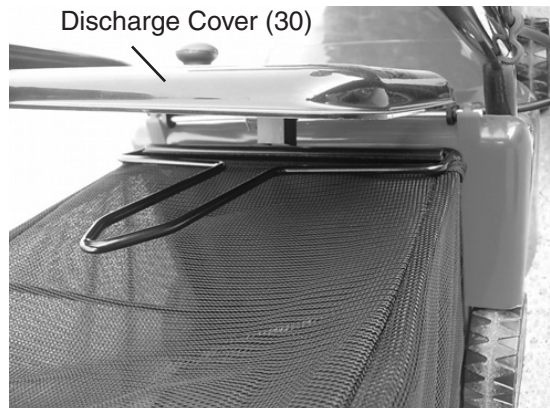
### **Unpacking**

When unpacking, check to make sure the following parts are included. Refer to the photo at the top of page 5. If any parts are missing or broken, please call Harbor Freight Tools at the number on the cover of this manual as soon as possible.



## Assembly

1. Insert the Lower Handle (31B) into the hole on the right side of the Cutter Housing (13), and the Lower Handle (31A) into the hole on the left side. Tighten both Screws (23) that hold the Lower Handles in place. See photo above.
2. Attach the Upper Handle (37) to the Lower Handles (31 A and B) using Knob (34) and Screw (35). Tighten both Knobs securely.
3. To attach the Grass Basket (19), lift the Discharge Cover (30) and place the two “L” Bars on the Grass Basket (19) over the tabs on the Cutter Housing (13). Then, release the Discharge Cover (30). See photos above and below.



## Operation

### Set Cutting Height

**Caution: Always disconnect the power cord from the lawnmower before making adjustments.**

1. Unplug the power cord.
2. Set the lawnmower on its side.
3. Using both hands, pull out the spring loaded front and rear axles to the desired height.  
The higher the wheel, the shorter the cut.

### **Connecting the Power Cord**

1. Attach an outdoor rated, 10 amp extension cord (not supplied) to the lawnmower Power Cord (40).
2. Secure the extension cord and Power Cord to the Cable Clamps (39) and Cord Clamp (9). This practice keeps both cords from lying around the Cutter Housing.
3. Connect the extension cord to an electrical outlet.

### **Turning on the Lawnmower**

**Caution: Before operating the Lawnmower, make sure that the grass to be cut is free from rocks, water hoses, sticks and other items that could damage the Lawnmower or cause personal injury if thrown towards the user.**

1. Move the Lawnmower onto the grass to be cut. Make sure the extension cord is behind you as you travel forward cutting the grass.

**Warning: Running over and cutting the extension cord will create an electrocution hazard. Caution: Always unplug the electrical cord before making any adjustments to the mower.**

2. With your left hand, press and hold in the Pushbutton (44).
3. Squeeze and hold the Switch Handle (41).

The motor will start. Wait until the motor reaches full speed before proceeding to cut.

4. When finished cutting, cleaning the Cutter Housing, or to empty the Grass Basket, first release the Switch Handle and wait for the motor to stop turning. Then, unplug the extension cord from the Power Cord before proceeding.

## **Maintenance**

**Caution: Before performing any maintenance or adjustments on the Lawnmower, disconnect the Power Cord and extension cord from the electrical outlet.**

### **General**

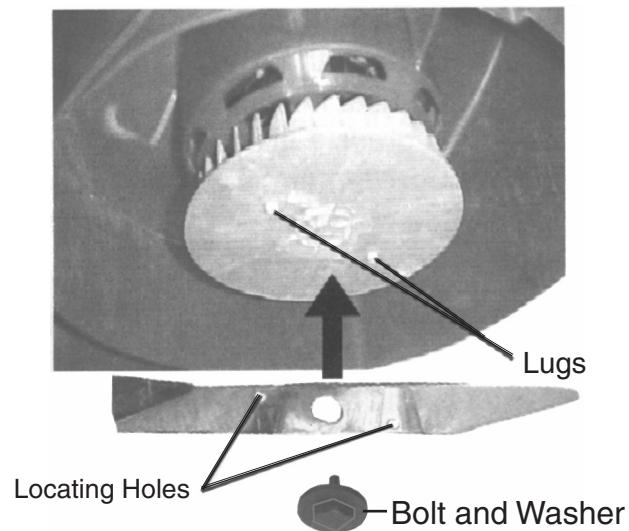
1. Clean all areas of the Lawnmower immediately after each use.

Do not allow grass cuttings to become dry and hard. This will affect the cutting performance. Do not use water to hose down the Lawnmower. This will damage the motor.

2. Periodically check all nuts, bolts, and screws for tightness, especially the Blade bolt.
3. Store the Lawnmower in a clean, dry location.
4. Periodically lubricate the axles and wheels with a light oil.

### Cutting Blade Removal

1. To remove and refit the Blade (17), turn the Lawnmower over to reveal the Blade and Impeller (16).
2. Hold the Blade with a gloved hand. With the other hand, remove the Blade securing bolt and washer using a suitable spanner wrench.
3. Remove the Blade. If sharpening is needed, it should be done by a qualified technician.
4. To replace the Blade, align the two Blade holes onto the two lugs on the bottom of the Impeller. Replace the washer and bolt with the spanner wrench. Securely tighten.



## PARTS LIST

Part#	Description	Part#	Description
1	Screw	29	Spring, Torsion
2	Upper Cover	30	Discharge Cover
3	Motor, Electric	31	Handle, Lower (A&B)
4	Washer	32	Connector
5	Washer, Spring	33	Nut
6	Screw	34	Knob
7	Sleeve	35	Screw
8*	Screw	36*	Switch
9*	Cord Clamp	37	Handle, Upper
10	Connector Socket	38*	Cord Jacket
11	Capacitor	39	Cable Clamps
12	Nylon Belt	40*	Power Cord
13	Cutter Housing	41*	Switch Handle
14	Wheel Cover	42*	Screw
15	Wheel	43*	Spring, Pushbutton
16	Impeller	44*	Pushbutton
17	Blade	45*	Screw
18	Bolt with Washer	46*	Box, Upper Switch
19a	Grass Basket	47*	BOX, Lower Switch
21	Spring, Drag	48*	Cable
22	Ring, Check	49	Axle, Front Wheel
23	Screw	50	Switch Assembly
24	Axle, Back Wheel	51	Screw
28	Shaft, Back Cap	52	Handle

Parts with asterisk are not available individually. You must purchase the Switch Assembly #50.

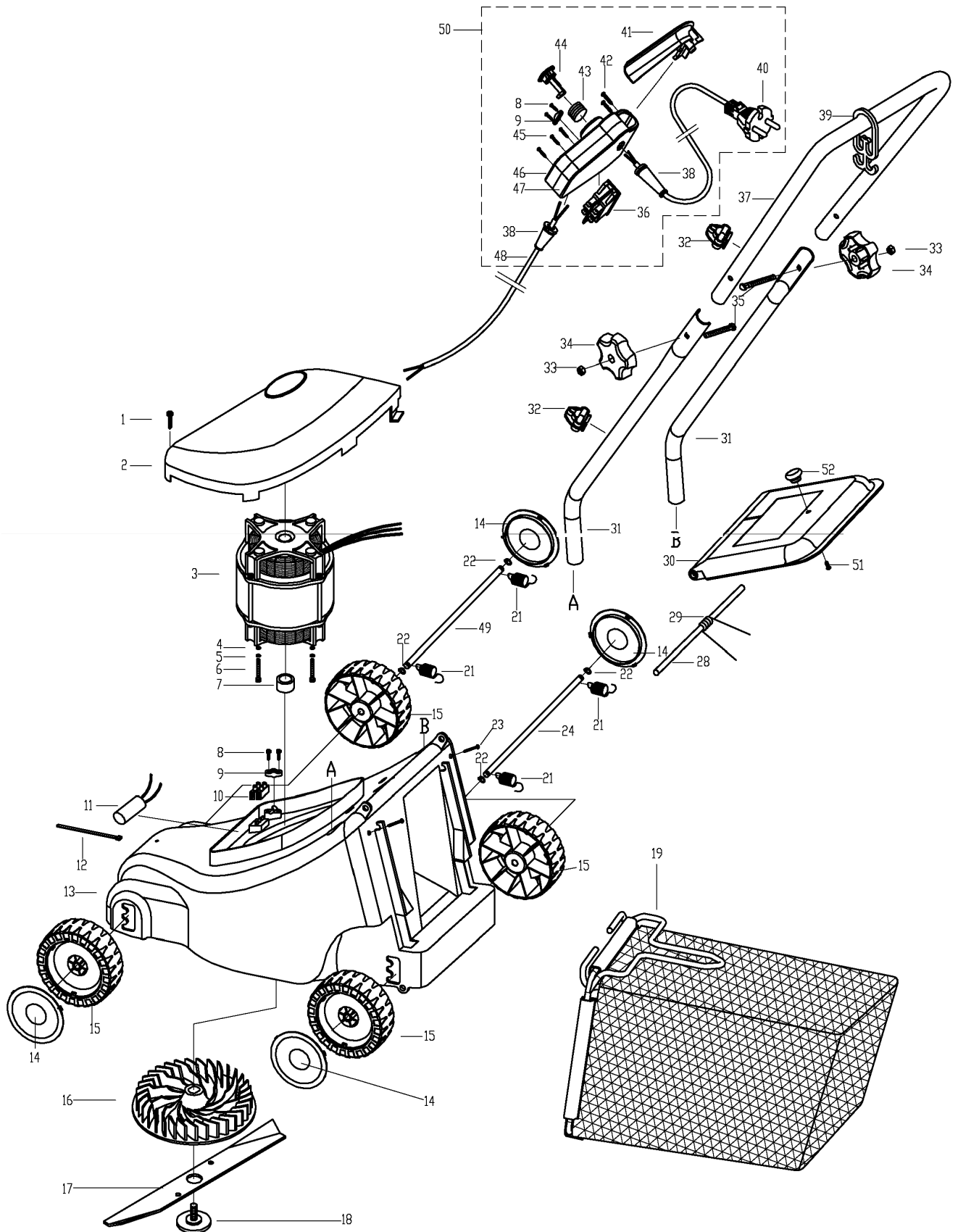
### PLEASE READ THE FOLLOWING CAREFULLY

THE MANUFACTURER AND/OR DISTRIBUTOR HAS PROVIDED THE PARTS DIAGRAM IN THIS MANUAL AS A REFERENCE TOOL ONLY. NEITHER THE MANUFACTURER NOR DISTRIBUTOR MAKES ANY REPRESENTATION OR WARRANTY OF ANY KIND TO THE BUYER THAT HE OR SHE IS QUALIFIED TO MAKE ANY REPAIRS TO THE PRODUCT OR THAT HE OR SHE IS QUALIFIED TO REPLACE ANY PARTS OF THE PRODUCT. IN FACT, THE MANUFACTURER AND/OR DISTRIBUTOR EXPRESSLY STATES THAT ALL REPAIRS AND PARTS REPLACEMENTS SHOULD BE UNDERTAKEN BY CERTIFIED AND LICENSED TECHNICIANS AND NOT BY THE BUYER. THE BUYER ASSUMES ALL RISK AND LIABILITY ARISING OUT OF HIS OR HER REPAIRS TO THE ORIGINAL PRODUCT OR REPLACEMENT PARTS THERETO, OR ARISING OUT OF HIS OR HER INSTALLATION OF REPLACEMENT PARTS THERETO.

**NOTE:** Some parts are listed and shown for illustration purposes only and are not available individually as replacement parts.



# ASSEMBLY DIAGRAM



---

## LIMITED 90 DAY WARRANTY

---

Harbor Freight Tools Co. makes every effort to assure that its products meet high quality and durability standards, and warrants to the original purchaser that this product is free from defects in materials and workmanship for the period of 90 days from the date of purchase. This warranty does not apply to damage due directly or indirectly, to misuse, abuse, negligence or accidents, repairs or alterations outside our facilities, criminal activity, improper installation, normal wear and tear, or to lack of maintenance. We shall in no event be liable for death, injuries to persons or property, or for incidental, contingent, special or consequential damages arising from the use of our product. Some states do not allow the exclusion or limitation of incidental or consequential damages, so the above limitation of exclusion may not apply to you. THIS WARRANTY IS EXPRESSLY IN LIEU OF ALL OTHER WARRANTIES, EXPRESS OR IMPLIED, INCLUDING THE WARRANTIES OF MERCHANTABILITY AND FITNESS.

To take advantage of this warranty, the product or part must be returned to us with transportation charges prepaid. Proof of purchase date and an explanation of the complaint must accompany the merchandise. If our inspection verifies the defect, we will either repair or replace the product at our election or we may elect to refund the purchase price if we cannot readily and quickly provide you with a replacement. We will return repaired products at our expense, but if we determine there is no defect, or that the defect resulted from causes not within the scope of our warranty, then you must bear the cost of returning the product.

This warranty gives you specific legal rights and you may also have other rights which vary from state to state.

**3491 Mission Oaks Blvd. • PO Box 6009 • Camarillo, CA 93011 • (800) 444-3353**

## Free Manuals Download Website

<http://myh66.com>

<http://usermanuals.us>

<http://www.somanuals.com>

<http://www.4manuals.cc>

<http://www.manual-lib.com>

<http://www.404manual.com>

<http://www.luxmanual.com>

<http://aubethermostatmanual.com>

Golf course search by state

<http://golfingnear.com>

Email search by domain

<http://emailbydomain.com>

Auto manuals search

<http://auto.somanuals.com>

TV manuals search

<http://tv.somanuals.com>