



# TIKITORCH STYLE SOLAR LIGHT

## Model 93098

ASSEMBLY & OPERATING INSTRUCTIONS



3491 Mission Oaks Blvd., Camarillo, CA 93011  
Visit our Web Site at [www.harborfreight.com](http://www.harborfreight.com)

Copyright© 2005 by Harbor Freight Tools®. All rights reserved. No portion of this manual or any artwork contained herein may be reproduced in any shape or form without the express written consent of Harbor Freight Tools.

**For technical questions and replacement parts please call 1-800-444-3353.**

THANK YOU for choosing a **HARBOR FREIGHT TOOLS** product. For future reference, please complete the owner's record below:

**Model** \_\_\_\_\_ **Serial No.** \_\_\_\_\_ **Purchase Date** \_\_\_\_\_

SAVE THE RECEIPT, WARRANTY AND THESE INSTRUCTIONS. It is important that you read the entire manual to become familiar with the unit BEFORE you begin assembly.

### Technical Specifications

Dimensions:	58" overall assembled height
Run Time:	8 Hours
Weight:	2 Lbs.
Height adjusts from	19" to 58" high
Battery:	2-"AA" 1.2 VDC rechargeable Ni-Cd (included)
Also includes 3 amber LEDs with reflectors, auto-on photo cell	



***READ ALL INSTRUCTIONS BEFORE USING THIS PRODUCT!***

### Safety Warnings and Precautions

**WARNING:** When using product, basic safety precautions should always be followed to reduce the risk of personal injury and damage to equipment.

**Read all instructions before using this product!**

1. **Keep work area clean.** Cluttered areas invite injury.
2. **Observe work area conditions.** Keep work area well lit. Position the Solar Light in an unobstructed area that receives sunlight at least six hours a day.
3. **Check for damaged parts.** Before using any product, any part that appears damaged should be carefully checked to determine that it will operate properly and perform its intended function. Check for any broken or damaged parts and any other conditions that may affect its operation. Replace or repair damaged or worn parts immediately. Do not use the Solar Light if any switch does not turn on and off properly.
4. **Replacement parts and accessories.** When servicing, use only identical replacement parts. Use of any other parts will void the warranty.
5. **Always check hardware and assembled parts after assembling.** All connections should be tight and hardware tightened.
6. **Keep children away.** Children must never be allowed in the work area. Do not let them handle or play around the Solar Light.
7. **Store idle equipment.** When not in use always lock up the Solar Light and keep it out of the reach of children.
8. **Dress properly.** Protective, electrically nonconductive clothes and nonskid footwear are recommended when working with the Solar Light. Wear restrictive hair covering to contain long hair.

9. **Use eye protection.** Always wear ANSI approved impact safety goggles when setting up this product.
10. **Maintain products with care.** Keep the Solar Light clean for better and safer performance. Inspect the Solar Light periodically; if damaged, have it repaired by an authorized technician.
11. **Do not overreach.** Keep proper footing and balance at all times.
12. **Use the right Solar Light for the job.** Do not attempt to force a small Solar Light to do the work of a larger Solar Light. There are certain applications for which this Solar Light was designed. Do not modify this Solar Light and do not use this Solar Light for a purpose for which it was not intended.
13. **Do not set up the Solar Light if under the influence of alcohol or drugs.** Read warning labels on prescriptions to determine if your judgement or reflexes are impaired while taking drugs. If there is any doubt, do not set up the Solar Light.
14. **Keep the Solar Panel free of dirt, dust and grime. Dust covering the Solar Panel will block out sunlight causing a decrease or stoppage of efficiency in recharging the batteries.**

**WARNING:** NiCd batteries must be disposed of properly. Do not incinerate. Batteries may burst, causing personal injury and/or property damage. Contact your local hazardous waste disposal authority for proper disposal.

**WARNING:** The warnings, cautions, and instructions discussed in this instruction manual cannot cover all possible conditions and situations that may occur. It must be understood by the operator that common sense and caution are factors which cannot be built into this product, but must be supplied by the operator.

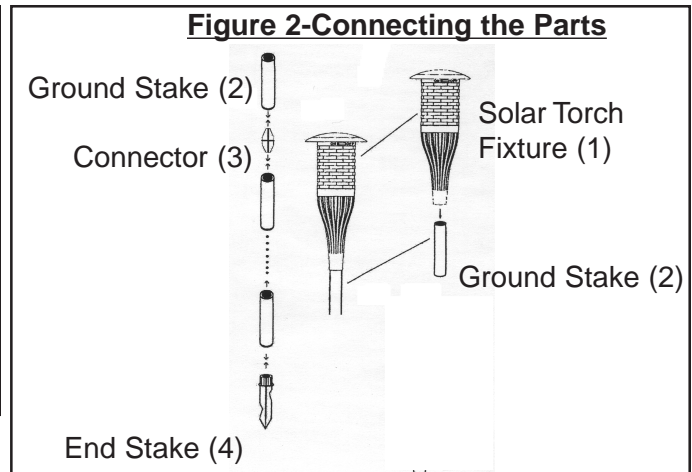
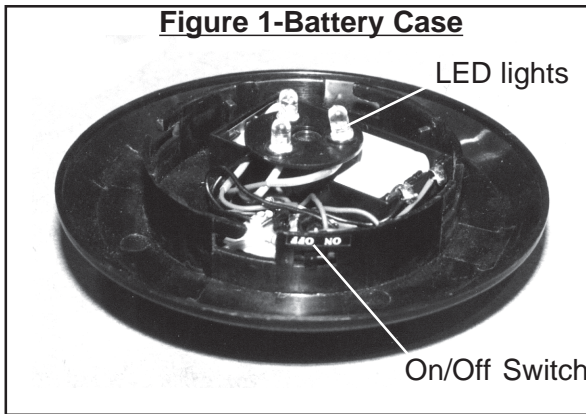
### Unpacking

When unpacking the Tiki Torch Style Solar Light, check to make sure that all parts listed in the parts list on page 5 are included. If any parts are missing or broken, please call **HARBOR FREIGHT TOOLS** at **1-800-444-3353**.

### Assembly/ Operation

Your Tiki Torch Style Solar Light will require complete assembly. The Solar Light requires special conditions for set up and operation. It is important that you read the entire manual to become familiar with the product **BEFORE** you use the Tiki Torch Style Solar Light. Before operating the Solar Light be sure that you have all parts described in the Parts List and Diagram located on page 5.

1. Decide where you want to place the Solar Light. Choose a location that receives full, direct sunlight a minimum of six hours a day. The location should not be near nighttime light sources such as porch lights or streetlights as this may trigger the lights to turn off or flicker.
2. The Solar Light will need to charge for at least twelve hours before using it for the first time. Allow the Solar Light to charge for ten to twelve sunny days before the Solar Light is fully charged.
3. Located on the side of the Battery Case (1) is a Switch. Set the Switch to "ON"-see Figure 1. In addition, there may be a tab next to one of the batteries. This tab should be removed.



- Moving the Switch to “On” will automatically turn on the Solar Light during the night. After the initial charge is set, check to see that the Solar Torch Fixture (1) light is on by viewing the light at night or in a dark location. If the light in the Solar Torch Fixture (1) is not lit, check the position of the “On” Switch.

**Note:** During the day, the Solar Panel converts sunlight into electricity, recharging the batteries. The amount of light the Solar Panel receives depends on placement of the Solar Light, geographic location and weather. If the weather is cloudy and the panel did not receive a full charge, the Solar Garden Light may not achieve the full hours of operating time. It will catch up on its own after two to three days of full sun.

- Determine what height you would like the Tiki Torch to be. There are seven Ground Stakes (2). Connect them together using a Connector (3) between each Ground Stake (2)- see Figure 2. To the end Ground Stake (2), connect the End Stake (4) which is pointed.
- Connect the Solar Torch Fixture (1) to the top Ground Stake (2) as in Figure 2.
- Push the End Stake (4) into the ground. Make certain no cables, wires or obstructions are in the path of the End Stake (4).

### **Replacing the Batteries**

It is recommended that you replace the batteries every 12 months.

- Turn the switch to the “OFF” position. Remove the Torch Fixture from the Ground Stake (2).
- With the light held upside-down, turn the glass lens and the Housing Plate counter-clockwise to unseat them from the Battery Case-see Figures 1 and 3.
- Remove the two old batteries. Make certain that the new batteries are Ni-Cd rechargeable. Always dispose of batteries properly. Contact the local hazardous waste authority for proper battery disposal guidelines.
- Install the new batteries into the battery compartment. Make certain that the battery is placed according to the correct polarity-see Figures 1 and 3.
- Replace the Glass Lens (5), the Housing Plate and the Torch Fixture (1).

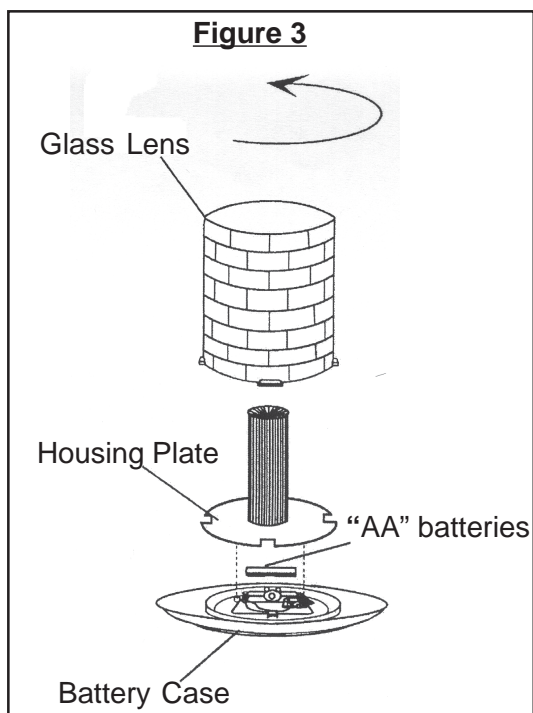
## Maintenance

Clean regularly with a damp towel. Do not use any type of solvent for cleaning. Do not put too much pressure on the light or components while cleaning. Dry thoroughly.

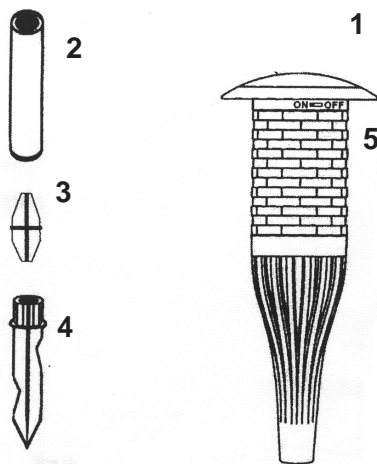
## Parts List

Part #	Description	Quantity
1	Torch Fixture	1
2	Ground Stake	7
3	Connector	6
4	End Stake	1
5	Glass Lens	1

Note: Some parts are listed and shown for illustration purposes only and are not available individually as replacement parts.



## Parts Diagram



### PLEASE READ THE FOLLOWING CAREFULLY

THE MANUFACTURER AND/OR DISTRIBUTOR HAS PROVIDED THE PARTS DIAGRAM IN THIS MANUAL AS A REFERENCE TOOL ONLY. NEITHER THE MANUFACTURER NOR DISTRIBUTOR MAKES ANY REPRESENTATION OR WARRANTY OF ANY KIND TO THE BUYER THAT HE OR SHE IS QUALIFIED TO MAKE ANY REPAIRS TO THE PRODUCT OR THAT HE OR SHE IS QUALIFIED TO REPLACE ANY PARTS OF THE PRODUCT. IN FACT, THE MANUFACTURER AND/OR DISTRIBUTOR EXPRESSLY STATES THAT ALL REPAIRS AND PARTS REPLACEMENTS SHOULD BE UNDERTAKEN BY CERTIFIED AND LICENSED TECHNICIANS AND NOT BY THE BUYER. THE BUYER ASSUMES ALL RISK AND LIABILITY ARISING OUT OF HIS OR HER REPAIRS TO THE ORIGINAL PRODUCT OR REPLACEMENT PARTS THERETO, OR ARISING OUT OF HIS OR HER INSTALLATION OF REPLACEMENT PARTS THERETO.

## Free Manuals Download Website

<http://myh66.com>

<http://usermanuals.us>

<http://www.somanuals.com>

<http://www.4manuals.cc>

<http://www.manual-lib.com>

<http://www.404manual.com>

<http://www.luxmanual.com>

<http://aubethermostatmanual.com>

Golf course search by state

<http://golfingnear.com>

Email search by domain

<http://emailbydomain.com>

Auto manuals search

<http://auto.somanuals.com>

TV manuals search

<http://tv.somanuals.com>