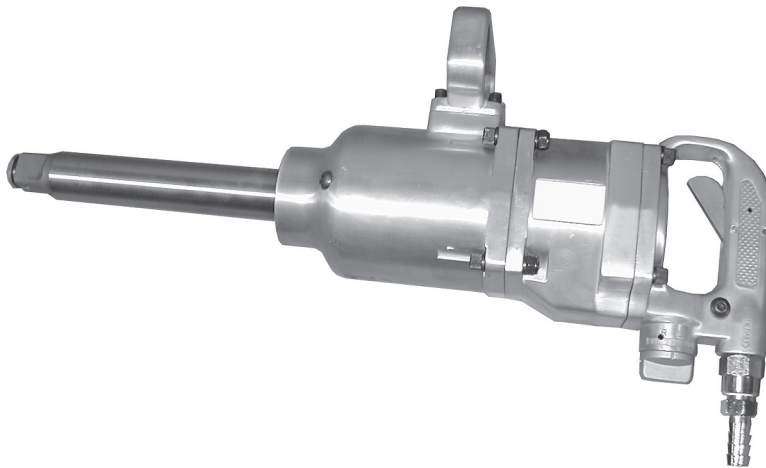


CENTRAL PNEUMATIC®

1" DRIVE INDUSTRIAL IMPACT WRENCH

Model 92622

ASSEMBLY AND OPERATING INSTRUCTIONS



3491 Mission Oaks Blvd., Camarillo, CA 93011
Visit our Web site at <http://www.harborfreight.com>

Copyright © 2004 by Harbor Freight Tools®. All rights reserved. No portion of this manual or any artwork contained herein may be reproduced in any shape or form without the express written consent of Harbor Freight Tools.

For technical questions and replacement parts, please call 1-800-444-3353

Specifications

Item	Description
Torque	1,400 FT./LBS.
Working Pressure	100 PSI, and 115 PSI (maximum)
Air Inlet	½ inch – 14 NPT with screen
Drive	One inch, Inline air impact
Regulator on Unit	3 torque settings: 1, 2, & 3; Left and Right direction
Overall Dimensions	22-3/4 (L) x 7-3/4 (W) x 7-1/4 (H) with side handle
Weight	31.7 LBS.

Save This Manual

You will need the manual for the safety warnings and precautions, assembly instructions, operating and maintenance procedures, parts list and diagram. Keep your invoice with this manual. Write the invoice number on the inside of the front cover. Keep the manual and invoice in a safe and dry place for future reference.

Safety Warnings and Precautions

WARNING: When using tool, basic safety precautions should always be followed to reduce the risk of personal injury and damage to equipment.

Read all instructions before using this tool!

1. **Keep work area clean.** Cluttered areas invite injuries.
2. **Observe work area conditions.** Do not use machines or power tools in damp or wet locations. Don't expose to rain. Keep work area well lighted. Do not use electrically powered tools in the presence of flammable gases or liquids.
3. **Keep children away.** Children must never be allowed in the work area. Do not let them handle machines, tools, or extension cords.
4. **Store idle equipment.** When not in use, tools must be stored in a dry location to inhibit rust. Always lock up tools and keep out of reach of children.
5. **Use the right tool for the job.** Do not attempt to force a small tool or attachment to do the work of a larger industrial tool. There are certain applications for which this tool was designed. It will do the job better and more safely at the rate for which it was intended. Do not modify this tool and do not use this tool for a purpose for which it was not intended.
6. **Dress properly.** Do not wear loose clothing or jewelry as they can be caught in moving parts. Protective, electrically non-conductive clothes and non-skid footwear are recommended when working. Wear restrictive hair covering to contain long hair.
7. **Do not overreach.** Keep proper footing and balance at all times. Do not reach over or across running machines.

8. **Use eye and ear protection.** Always wear ANSI approved impact safety goggles. Wear a full face shield if you are producing metal filings or wood chips. Wear an ANSI approved dust mask or respirator when working around metal, wood, and chemical dusts and mists.
9. **Maintain tools with care.** Keep tools sharp and clean for better and safer performance. Follow instructions for lubricating and changing accessories. Inspect tool cords periodically and, if damaged, have them repaired by an authorized technician. The handles must be kept clean, dry, and free from oil and grease at all times.
10. **Disconnect power.** Unplug tool when not in use.
11. **Remove adjusting keys and wrenches.** Check that keys and adjusting wrenches are removed from the tool or machine work surface before plugging it in.
12. **Avoid unintentional starting.** Be sure the switch is in the Off position when not in use and before plugging in. Do not carry any tool with your finger on the trigger, whether it is plugged in or not.
13. **Stay alert.** Watch what you are doing, use common sense. Do not operate any tool when you are tired.
14. **Check for damaged parts.** Before using any tool, any part that appears damaged should be carefully checked to determine that it will operate properly and perform its intended function. Check for alignment and binding of moving parts; any broken parts or mounting fixtures; and any other condition that may affect proper operation. Any part that is damaged should be properly repaired or replaced by a qualified technician. Do not use the tool if any switch does not turn On and Off properly.
15. **Replacement parts and accessories.** When servicing, use only identical replacement parts. Use of any other parts will void the warranty. Only use accessories intended for use with this tool. Approved accessories are available from Harbor Freight Tools.
16. **Do not operate tool if under the influence of alcohol or drugs.** Read warning labels if taking prescription medicine to determine if your judgment or reflexes are impaired while taking drugs. If there is any doubt, do not operate the tool.
17. **Maintenance.** For your safety, service and maintenance should be performed regularly by a qualified technician.
18. **Use tools with both hands when required.** This tool, and many tools such as chain saws, drills, routers, etc., require the use of both hands when operating. This helps maintain tool stability and keeps hands away from the working area of the tool.

Note: Performance of this tool may vary depending on variations in air compressor performance.

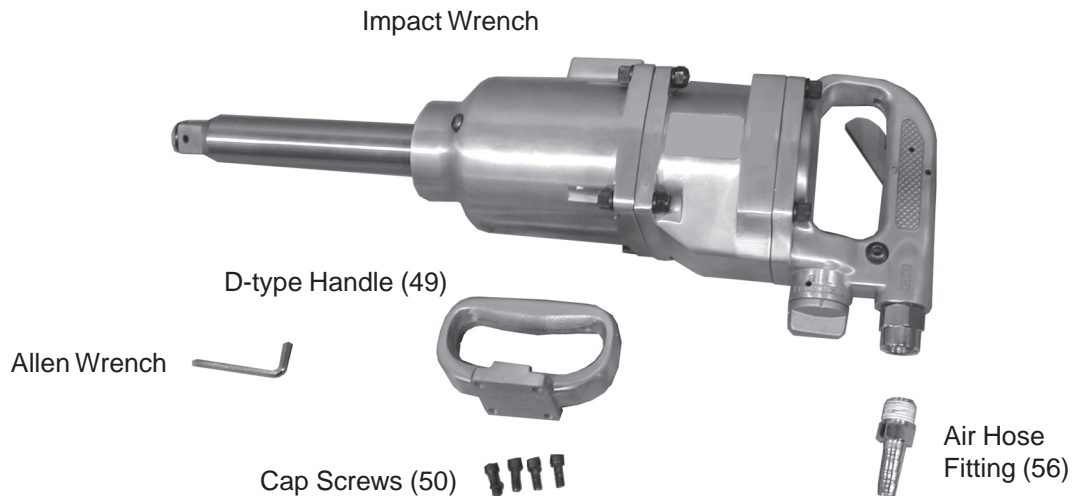
Impact Wrench Safety Precautions

1. **Disconnect air before servicing.** Do not attempt to change sockets, disassemble, or service tool with air hose attached.
2. **Use only specified operating air pressure.** Never operate tool above the specified operating air pressure range.
3. **Do not use combustible gases.** Do not use combustible gases as a power source, or use tool in areas where combustible gases are stored.
4. **Avoid possible kickback injury.** Hold the tool with both hands during operation so that your head and body are not injured by possible kickback of the tool.
5. **Use care when transporting tool.** Disconnect tool from air supply when moving tool in the workplace. Carry tool only by the handle without drawing the trigger.
6. **OSHA Guidelines.** Industrial applications must follow OSHA guidelines.
7. **Air Compressor.** Read and adhere to all warnings and instructions of the Air Compressor Instruction Manual.

Warning: The warnings, cautions, and instructions discussed in this instruction manual cannot cover all possible conditions and situations that may occur. It must be understood by the operator that common sense and caution are factors which cannot be built into this product, but must be supplied by the operator.

Unpacking

When unpacking, check to make sure the following parts are included.



If any parts are missing or broken, please call Harbor Freight Tools at the number on the cover of this manual as soon as possible.

Assembly

The Air Hammer comes completely assembled, except for the air inlet fitting and handle.

Note: Use pipe thread seal or Teflon tape on all threaded connections.

Caution: The compressor must be off and all the air bled out before making any connections.

Mount Handle

1. Using Cap Screws (50), and the supplied Allen Wrench, mount the D-type Handle (49) to the Hammer Case (43).
2. Securely tighten all Cap Screws.

Air Connection

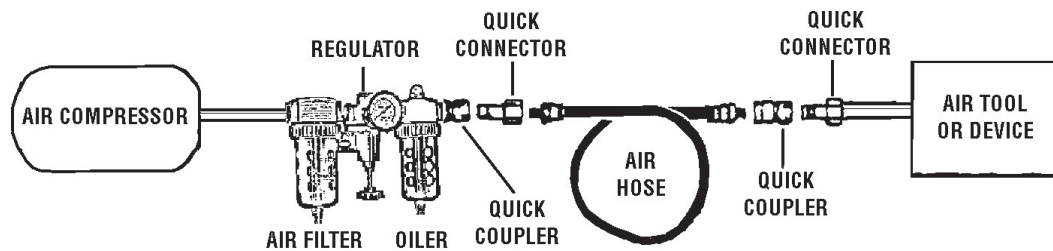
1. Attach the Air Hose Fitting (56) into the Air Inlet (10) fitting. Securely tighten.
2. Optionally, for easy connection or removal, attach an Air Quick Coupler (not supplied) to a Union fitting (not supplied), if quick-coupling is desired.
3. Attach the 1/2 inch air hose (not supplied) to the Air Hose Fitting (56), or Union fitting, if used.
4. Attach the other end of the air hose to the compressor (not supplied) regulator-filter with oiler.
5. Retighten all couplings and fittings.

Oiler and Filter Connection

Dirt, water, and the lack of pneumatic tool oil are major causes for tool wear. It is recommended to install an optional oiler-filter, as illustrated below for better performance.

Connect the air tool, air hoses, filter, and oiler to the Compressor Air Outlet as illustrated below. The filter and oiler (not supplied) are recommended but not mandatory for operation.

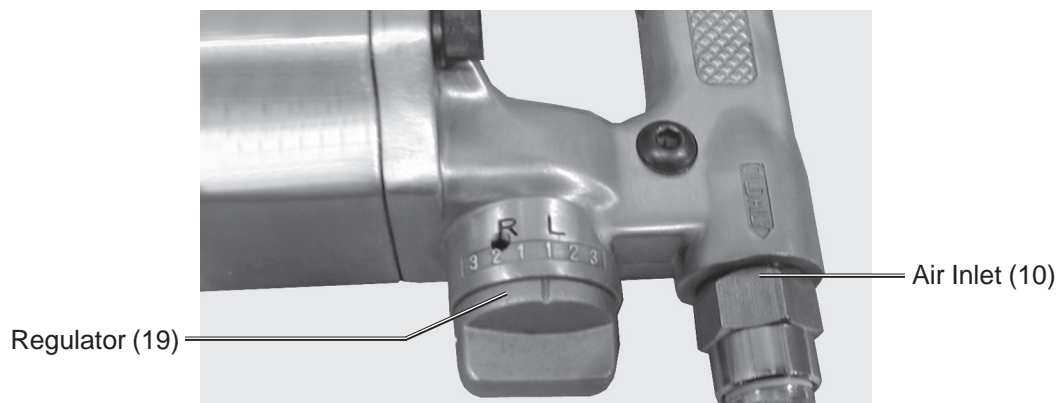
A few drops of pneumatic tool oil must be added through the air line before each use if an oiler is not used.



Operation

⚠ WARNING: Only use one inch sockets with the torque capability of at least 1400 FT./LBS.. Otherwise, the socket could fly off the Anvil or break apart, causing injury.

1. Put on the impact safety glasses and ear plugs.
2. Select the desired one inch socket and verify it fits properly on the nut or bolt being secured or removed. Then, secure the socket on the Anvil (41) of the Impact Wrench.
3. Hand screw on the nut or bolt as far as possible.
4. Turn the air compressor on and set the air compressor pressure regulator to 100 PSI. When the air compressor motor stops, and the air tank is full, operation may begin.
5. Check for air leaks at the air hose connections. If a leak is detected, disconnect the air hose and repair the leak.
6. Set the Impact Wrench Regulator (19) to the desired direction (L = left or counterclockwise, R = right or clockwise), and the torque setting (1 = Low, 2 = Medium, 3 = High).



7. While holding the Impact Wrench with both hands, place the Anvil (41) with socket squarely over the nut or bolt.
8. Squeeze the Trigger (2) to begin loosening or tightening.
Be prepared for great torque on the Handles. Let the Impact Wrench do the work. Do not lay into it with great force. If necessary, turn the Regulator (19) to adjust the air flow within the Impact Wrench to increase or decrease torque.

Note: Do not overtighten the nut or bolt. If it will not tighten enough at the maximum setting, do not continue. Use a manual torque wrench (not included) to tighten. If available, check the specific torque settings for the nut or bolt.

Caution: Never increase pressure at the air compressor regulator to achieve more torque.

8. When finished, release the Trigger (2), and lift the Impact Wrench off the nut.
9. Remove the air supply hose, then squeeze the Trigger (2) again to release any remaining air pressure in the Impact Wrench air chamber.
10. Turn off the air compressor.

Maintenance

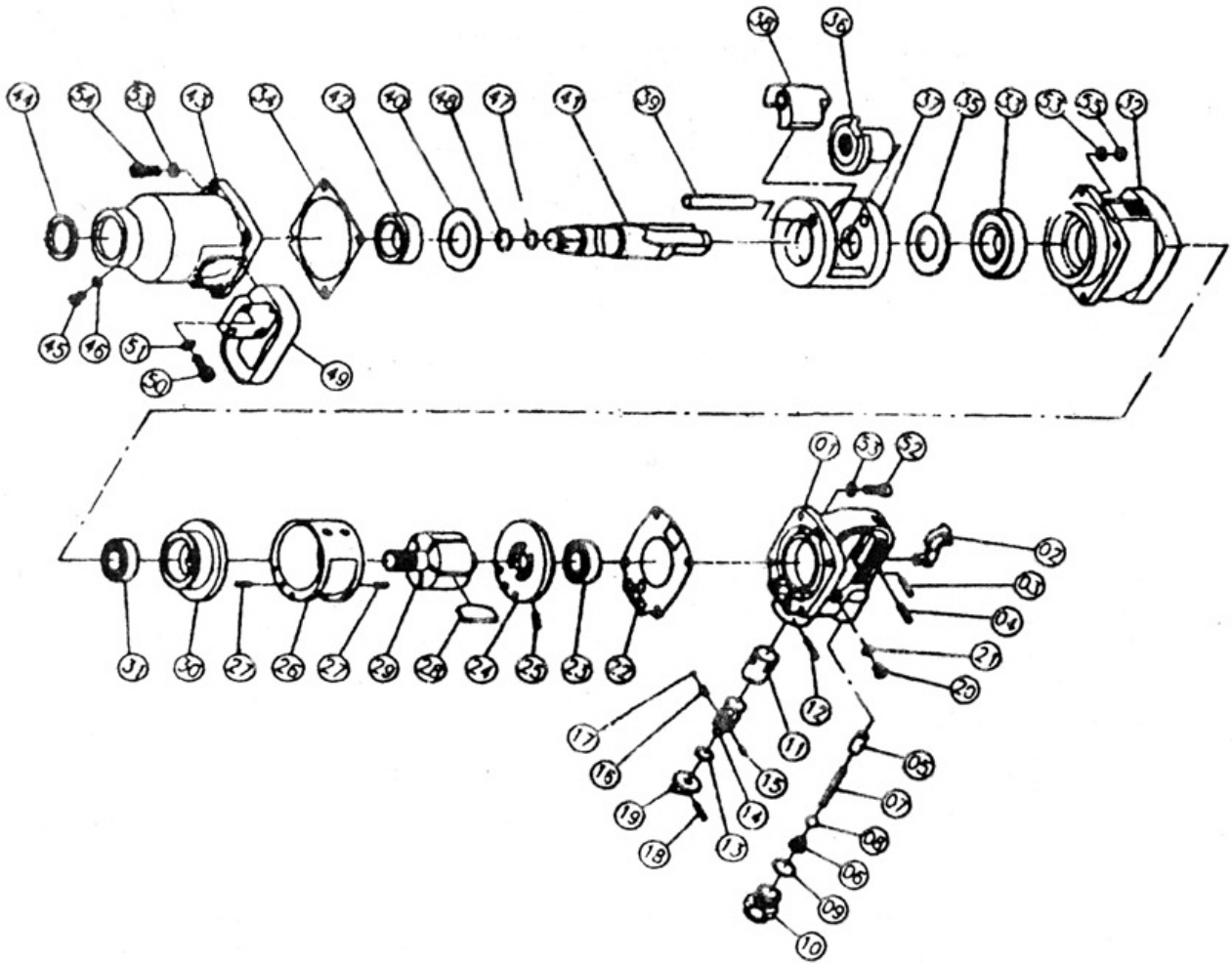
1. After each use, wipe the Impact Wrench with a clean cloth to remove any dirt and grease buildup.
2. To maintain tool life, always lubricate the air line by adding a few drops of pneumatic tool oil to the air line (or Air Inlet) before each use. Or, install the automatic oiler-filter system as illustrated on page 5.
3. Before each use, drain water out of the air compressor tank and condensation from the air lines. Refer to the Air Compressor Operation Manual.
4. Store the Impact Wrench in a clean and dry location.

Parts List

REF. NO.	DESCRIPTION	QTY	REF. NO.	DESCRIPTION	QTY
1	Handle Frame	1	30	Front End Plate	1
2	Tngger	1	31	Ball Bearing	1
3	Spring Pin	1	32	Housing	1
4	Pin	1	33	Ball Bearing	1
5	Valve Bushing	1	34	Front Gasket	1
6	Spring	1	35	Washer	1
7	Valve Stem	1	36	Cam	1
8	Steel Ball	1	37	Hammer Cage	1
9	O - Ring	4	38	Hammer Dog	4
10	Air Inlet	1	39	Hammer Pin	1
11	Reverse Valve Bushing	1	40	Washer	1
12	Spring Pin	1	41	Anvil	1
13	O - Ring	1	42	Anvil Bushing	1
14	Regulator Knod	1	43	Hammer Case	1
15	Spring Pin	1	44	Oil Seal	1
16	Spring	1	45	Set Screw	1
17	Steel Ball	1	46	O - Ring	1
18	Spring Pin	1	47	O - Ring	1
19	Regulator	1	48	Anvil Collar	1
20	Oil Chamber Screw	1	49	D - Type Handle	1
21	O - Ring	1	50	Cap Screw	4
22	Rear Gasket	1	51	Spring Washer	4
23	Ball Bearing	1	52	Cap Screw	4
24	Rear End Plate	1	53	Spring Washer	12
25	Spring Pin	1	54	Cap Screw	4
26	Cylinder	1	55	Nut	4
27	Spring Pin	2	56	Air Hose Fitting	1
28	Rotor Blade	5			
29	Rator	1			

NOTE: Some parts are listed and shown for illustration purposes only and are not available individually as replacement parts.

Assembly Drawing



PLEASE READ THE FOLLOWING CAREFULLY

THE MANUFACTURER AND/OR DISTRIBUTOR HAS PROVIDED THE PARTS DIAGRAM IN THIS MANUAL AS A REFERENCE TOOL ONLY. NEITHER THE MANUFACTURER NOR DISTRIBUTOR MAKES ANY REPRESENTATION OR WARRANTY OF ANY KIND TO THE BUYER THAT HE OR SHE IS QUALIFIED TO MAKE ANY REPAIRS TO THE PRODUCT OR THAT HE OR SHE IS QUALIFIED TO REPLACE ANY PARTS OF THE PRODUCT. IN FACT, THE MANUFACTURER AND/OR DISTRIBUTOR EXPRESSLY STATES THAT ALL REPAIRS AND PARTS REPLACEMENTS SHOULD BE UNDERTAKEN BY CERTIFIED AND LICENSED TECHNICIANS AND NOT BY THE BUYER. THE BUYER ASSUMES ALL RISK AND LIABILITY ARISING OUT OF HIS OR HER REPAIRS TO THE ORIGINAL PRODUCT OR REPLACEMENT PARTS THERETO, OR ARISING OUT OF HIS OR HER INSTALLATION OF REPLACEMENT PARTS THERETO.

Free Manuals Download Website

<http://myh66.com>

<http://usermanuals.us>

<http://www.somanuals.com>

<http://www.4manuals.cc>

<http://www.manual-lib.com>

<http://www.404manual.com>

<http://www.luxmanual.com>

<http://aubethermostatmanual.com>

Golf course search by state

<http://golfingnear.com>

Email search by domain

<http://emailbydomain.com>

Auto manuals search

<http://auto.somanuals.com>

TV manuals search

<http://tv.somanuals.com>