



18V CORDLESS COMBO PACK

Model 90374

ASSEMBLY AND OPERATING INSTRUCTIONS



Due to continuing improvements,
actual product may differ slightly from the product described herein.

Distributed exclusively by
Harbor Freight Tools®.

3491 Mission Oaks Blvd., Camarillo, CA 93011
Visit our Web site at: <http://www.harborfreight.com>

Copyright© 2003 by Harbor Freight Tools®. All rights reserved. No portion of this manual or any artwork contained herein may be reproduced in any shape or form without the express written consent of Harbor Freight Tools.

For technical questions, please call 1-800-444-3353.

REV 07I


PRODUCT SPECIFICATIONS

Item	Description
Electrical Requirements	Batter Charger Input: 120 VAC / 60 Hz Battery Output: 18 VDC
Battery Charging Time	3 to 5 Hours
Drill Specifications	3/8" Keyless / Reversible / Single Speed / 900 RPM Squeeze Trigger / Torque Adjustments: 1 - 8
Oscillating Sander Specifications	Triangle Shape / Hook & Loop Attachment 6,000 OPM / Rocker Power Switch
Flashlight Specifications	Pistol Grip / 0 - 90 Degree Swivel Head / Slider Power Switch Stepped Lens (Clear) / 8 Watt Bulb
Jigsaw Specifications	1/2" Stroke / 1,700 SPM / One Speed / Squeeze Trigger Safety Lock / Blade Guard / Angle Adjustable
Accessories	Rechargeable 18 VDC Battery / Battery Charger
Weight	13.40 Pounds

SAVE THIS MANUAL

You will need this manual for the safety warnings and precautions, assembly, operating, inspection, maintenance and cleaning procedures, parts list and assembly diagram. Keep your invoice with this manual. Write the invoice number on the inside of the front cover. Keep this manual and invoice in a safe and dry place for future reference.

GENERAL SAFETY RULES

 **WARNING!**
READ AND UNDERSTAND ALL INSTRUCTIONS
Failure to follow all instructions listed below may result in electric shock, fire, and/or serious injury.
SAVE THESE INSTRUCTIONS

WORK AREA

- 1. Keep your work area clean and well lit.** Cluttered benches and dark areas invite accidents.
- 2. Do not operate power tools in explosive atmospheres, such as in the presence of flammable liquids, gases, or dust.** Power tools create sparks which may ignite the dust or fumes.

3. **Keep bystanders, children, and visitors away while operating a power tool.** Distractions can cause you to lose control. Protect others in the work area from debris such as chips and sparks. Provide barriers or shields as needed.

ELECTRICAL SAFETY

4. **Grounded tools must be plugged into an outlet properly installed and grounded in accordance with all codes and ordinances. Never remove the grounding prong or modify the plug in any way. Do not use any adapter plugs. Check with a qualified electrician if you are in doubt as to whether the outlet is properly grounded.** If the tools should electrically malfunction or break down, grounding provides a low resistance path to carry electricity away from the user.
5. **Double insulated tools are equipped with a polarized plug (one blade is wider than the other). This plug will fit in a polarized outlet only one way. If the plug does not fit fully in the outlet, reverse the plug. If it still does not fit, contact a qualified electrician to install a polarized outlet. Do not change the plug in any way.** Double insulation eliminates the need for the three wire grounded power cord and grounded power supply system.
6. **Avoid body contact with grounded surfaces such as pipes, radiators, ranges, and refrigerators.** There is an increased risk of electric shock if your body is grounded.
7. **Do not expose power tools to rain or wet conditions.** Water entering a power tool will increase the risk of electric shock.
8. **Do not abuse the Power Cord. Never use the Power Cord to carry the tools or pull the Plug from an outlet. Keep the Power Cord away from heat, oil, sharp edges, or moving parts. Replace damaged Power Cords immediately.** Damaged Power Cords increase the risk of electric shock.
9. **When operating a power tool outside, use an outdoor extension cord marked “W-A” or “W”.** These extension cords are rated for outdoor use, and reduce the risk of electric shock.

PERSONAL SAFETY

10. **Stay alert. Watch what you are doing, and use common sense when operating a power tool. Do not use a power tool while tired or under the influence of drugs, alcohol, or medication.** A moment of inattention while operating power tools may result in serious personal injury.

11. **Dress properly. Do not wear loose clothing or jewelry. Contain long hair. Keep your hair, clothing, and gloves away from moving parts.** Loose clothes, jewelry, or long hair can be caught in moving parts.
12. **Avoid accidental starting. Be sure the Power Switch is off before plugging in.** Carrying power tools with your finger on the Power Switch, or plugging in power tools with the Power Switch on, invites accidents.
13. **Remove adjusting keys or wrenches before turning the power tool on.** A wrench or a key that is left attached to a rotating part of the power tool may result in personal injury.
14. **Do not overreach. Keep proper footing and balance at all times.** Proper footing and balance enables better control of the power tool in unexpected situations.
15. **Use safety equipment. Always wear eye protection.** Dust mask, non-skid safety shoes, hard hat, or hearing protection must be used for appropriate conditions.

TOOL USE AND CARE

16. **Use clamps (not included) or other practical ways to secure and support the workpiece to a stable platform.** Holding the work by hand or against your body is unstable and may lead to loss of control.
17. **Do not force the tool. Use the correct tool for your application.** The correct tool will do the job better and safer at the rate for which it is designed.
18. **Do not use the power tool if the Power Switch does not turn it on or off.** Any tool that cannot be controlled with the Power Switch is dangerous and must be replaced.
19. **Disconnect the Battery from the tool before making any adjustments, changing accessories, or storing the tool.** Such preventive safety measures reduce the risk of starting the tool accidentally.
20. **Store idle tools out of reach of children and other untrained persons.** Tools are dangerous in the hands of untrained users.
21. **Maintain tools with care. Keep cutting tools sharp and clean.** Properly maintained tools with a sharp cutting edge are less likely to bind and are easier to control. Do not use a damaged tool. Tag damaged tools "Do not use" until repaired.

22. **Check for misalignment or binding of moving parts, breakage of parts, and any other condition that may affect the tool's operation. If damaged, have the tool serviced before using.** Many accidents are caused by poorly maintained tools.
23. **Use only accessories that are recommended by the manufacturer for your model.** Accessories that may be suitable for one tool may become hazardous when used on another tool.

SERVICE

24. **Tool service must be performed only by qualified repair personnel.** Service or maintenance performed by unqualified personnel could result in a risk of injury.
25. **When servicing a tool, use only identical replacement parts. Follow instructions in the “*Inspection, Maintenance, And Cleaning*” section of this manual.** Use of unauthorized parts or failure to follow maintenance instructions may create a risk of electric shock or injury.

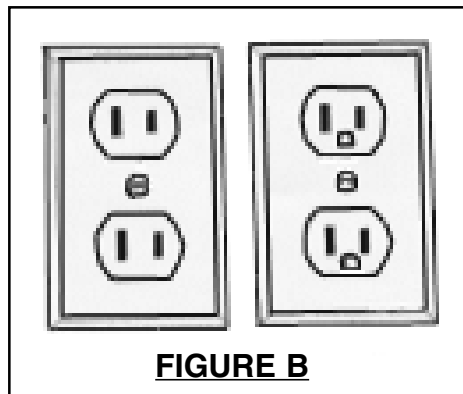
GROUNDING

WARNING!

Improperly connecting the grounding wire can result in the risk of electric shock. Check with a qualified electrician if you are in doubt as to whether the outlet is properly grounded. Do not modify the power cord plug provided with the tool. Never remove the grounding prong from the plug. Do not use the tool if the power cord or plug is damaged. If damaged, have it repaired by a service facility before use. If the plug will not fit the outlet, have a proper outlet installed by a qualified electrician.

DOUBLE INSULATED TOOLS: TOOLS WITH TWO PRONG PLUGS

1. Tools marked “Double Insulated” do not require grounding. They have a special double insulation system which satisfies OSHA requirements and complies with the applicable standards of Underwriters Laboratories, Inc., the Canadian Standard Association, and the National Electrical Code. **(See Figure B.)**
2. Double insulated tools may be used in either of the 120 volt outlets shown in the following illustration. **(See Figure B.)**



EXTENSION CORDS




1. **Grounded** tools require a three wire extension cord. **Double Insulated** tools can use either a two or three wire extension cord.
2. As the distance from the supply outlet increases, you must use a heavier gauge extension cord. Using extension cords with inadequately sized wire causes a serious drop in voltage, resulting in loss of power and possible tool damage. **(See Figure C, below.)**
3. The smaller the gauge number of the wire, the greater the capacity of the cord. For example, a 14 gauge cord can carry a higher current than a 16 gauge cord. **(See Figure C.)**
4. If using more than one extension cord to make up the total length, make sure each cord contains at least the minimum wire size required. **(See Figure C.)**

5. If you are using one extension cord for more than one tool, add the nameplate amperes and use the sum to determine the required minimum cord size. **(See Figure C.)**
6. If you are using an extension cord outdoors, make sure it is marked with the suffix "W-A" ("W" in Canada) to indicate it is acceptable for outdoor use.
7. Make sure your extension cord is properly wired and in good electrical condition. Always replace a damaged extension cord or have it repaired by a qualified electrician before using it.
8. Protect your extension cords from sharp objects, excessive heat, and damp or wet areas.

RECOMMENDED MINIMUM WIRE GAUGE FOR EXTENSION CORDS* (120 VOLT)					
NAMEPLATE AMPERES (At Full Load)	EXTENSION CORD LENGTH				
	25 Feet	50 Feet	75 Feet	100 Feet	150 Feet
0 – 2.0	18	18	18	18	16
2.1 – 3.4	18	18	18	16	14
3.5 – 5.0	18	18	16	14	12
5.1 – 7.0	18	16	14	12	12
7.1 – 12.0	18	14	12	10	-
12.1 – 16.0	14	12	10	-	-
16.1 – 20.0	12	10	-	-	-

FIGURE C * Based on limiting the line voltage drop to five volts at 150% of the rated amperes.




SYMBOLOLOGY

	Double Insulated
	Canadian Standards Association
	Underwriters Laboratories, Inc.
V ~	Volts Alternating Current
A	Amperes
no <u>xxxx</u> /min.	No Load Revolutions per Minute (RPM)

SPECIFIC SAFETY RULES

1. **Maintain a safe working environment.** Keep the work area well lit. Make sure there is adequate surrounding workspace. Always keep the work area free of obstructions, grease, oil, trash, and other debris. Do not use the Combo Pack in areas near flammable chemicals, dusts, and vapors.
2. **Maintain labels and nameplates on the Combo Pack.** These carry important information. If unreadable or missing, contact Harbor Freight Tools for a replacement.
3. **Ground this product.** To comply with the National Electric Code, and to provide additional protection from the risk of electrical shock, the Battery Charger (1B) should only be connected to a **120 volt electrical outlet** that is protected by a Ground Fault Circuit Interrupter (GFCI).
4. **When using a hand-held power tool, always maintain a firm grip on the tool with both hands.**
5. **To avoid electrical shock, do not pull or carry the Battery Charger/Charger Base (1B, 1C) by its Power Cord or pull the Power Cord around sharp corners or edges.** Do not unplug the Battery Charger by pulling on the Power Cord. Keep the Power Cord away from heated surfaces.
6. **Never leave the Battery Charger (1B) unattended when it is plugged into an electrical outlet.** Make sure to unplug the Battery Charger from its outlet before leaving.

7. **Use eye protection.** Always wear ANSI approved safety impact eye goggles when working with these products.
8. **Proper Battery Care:** Battery (1A) leakage may occur under extreme usage or temperature conditions. If Battery fluid comes in contact with skin, wash with soap and water and rinse with lemon juice and vinegar. If the fluid comes in contact with eyes, flush with water for several minutes and contact a doctor immediately. Never burn the Battery, as it can explode in a fire. Do not attempt to charge a leaking Battery. Contact local solid waste authorities for instructions on correct disposal or recycling of the Battery.
9. **Do not allow children to handle or play with these products.**
10. **Store idle equipment.** When not in use, tools and equipment should be stored in a dry location to inhibit rust. Always lock up tools and equipment, and keep out of reach of children.
11. **Do not use these products if under the influence of alcohol or drugs.** Read warning labels on prescriptions to determine if your judgement or reflexes are impaired while taking drugs. If there is any doubt, do not attempt to use these products.
12. **Industrial applications must follow OSHA requirements.**
13. **Maintain this product with care.** Keep these products clean and dry for better and safer performance.
14. **Maintenance:** For your safety, service and maintenance should be performed regularly by a qualified technician.
15. **Check for damaged parts.** Before using these products, carefully check that they will operate properly and perform their intended function. Check for damaged parts and any other conditions that may affect the safe operation of these products. Replace or repair damaged or worn parts immediately.
16. **Replacement parts and accessories:** When servicing, use only identical replacement parts. Only use accessories intended for use with this product.
17. **Use the right tool or attachment for the right job.** Do not attempt to force a small tool or attachment to do the work of a larger industrial tool or attachment. There are certain applications for which these products were designed. They will do the job better and more safely at the rate for which they were intended. Do not modify these products, and do not use these products for a purpose for which they were not intended.

18.  **WARNING!** Some dust created by power sanding, sawing, grinding, drilling, and other construction activities, contain chemicals known (to the State of California) to cause cancer, birth defects or other reproductive harm. Some examples of these chemicals are: lead from lead-based paints, crystalline silica from bricks and cement or other masonry products, arsenic and chromium from chemically treated lumber. Your risk from these exposures varies, depending on how often you do this type of work. To reduce your exposure to these chemicals: work in a well ventilated area, and work with approved safety equipment, such as those dust masks that are specially designed to filter out microscopic particles. *(California Health & Safety Code 25249.5, et seq.)*
19.  **WARNING!** People with pacemakers should consult their physician(s) before using this product. Operation of electrical equipment in close proximity to a heart pacemaker could cause interference or failure of the pacemaker.
20.  **WARNING!** The warnings, precautions, and instructions discussed in this manual cannot cover all possible conditions and situations that may occur. The operator must understand that common sense and caution are factors which cannot be built into this product, but must be supplied by the operator.

UNPACKING

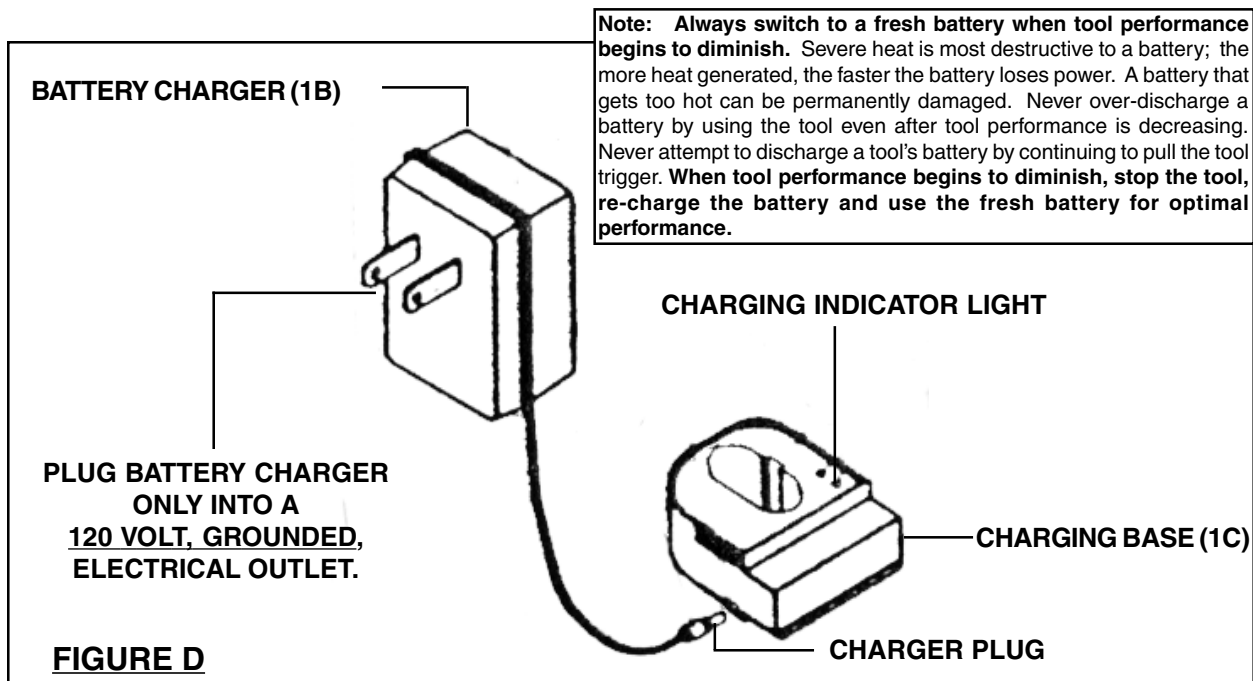
When unpacking, check to make sure all the parts shown on the **Parts Lists on pages 18, 19, 20, and 21** are included. If any parts are missing or broken, please call Harbor Freight Tools at the number shown on the cover of this manual as soon as possible.

ASSEMBLY AND OPERATING INSTRUCTIONS

NOTE: For additional information regarding the parts mentioned in the following pages, refer to the **Assembly Diagrams on pages 18, 19, 20, and 22.**

1. **NOTE:** The Battery (1A) requires charging. The first charge requires **5 hours** charge time prior to using a cordless tool. **(See Figure D, next page.)**
2. The Battery (1A) should only be re-charged when the Flashlight Bulb (7C) begins to dim or a cordless tool begins to run slowly. **(See Figure D.)**
3. When the Battery (1A) requires re-charging, a **3 to 5 hour** charge allows the tool to operate at full power. Do not re-charge the Battery longer than 5 hours, as damage to the Battery and/or Flashlight or cordless tool will occur. **(See Figure D.)**

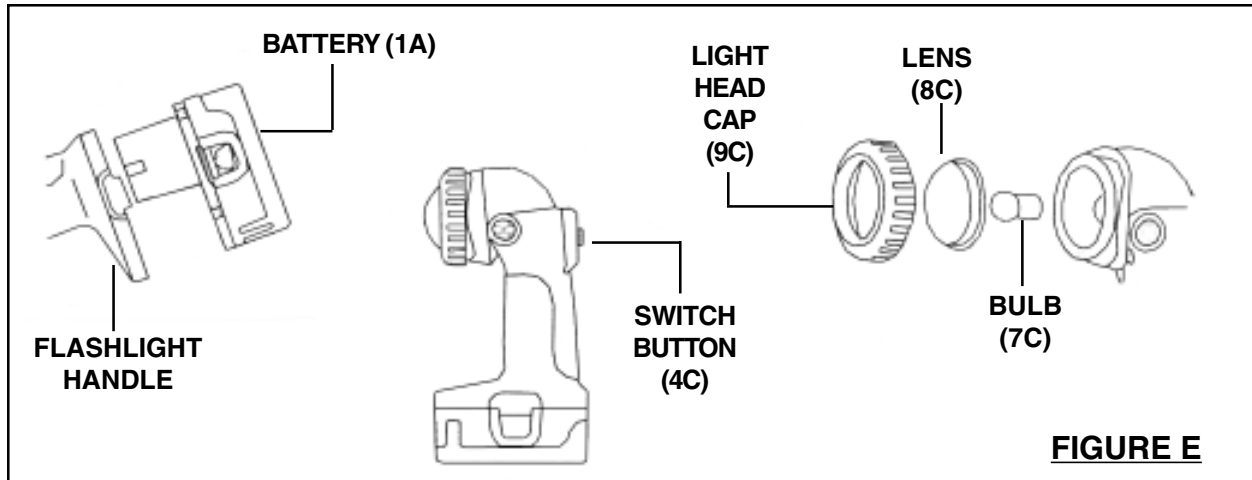
4. To charge the Battery (1A), plug the Battery Charger's Plug (1B) into the Charging Base (1C). Plug the Battery (1A) into the Charging Base (1C). Charging room temperature: 50° F - 104° F. Then, plug the Battery Charger into the nearest 120 Volt, grounded, electrical outlet. **(See Figure D).**
5. A *Charging Indicator Light* on the Charging Base (1C) will illuminate to show that charging is taking place. **NOTE:** The Battery Charger (1B) will **not** automatically turn off when the Battery is fully charged, and the Charging Indicator Light will remain on until the Battery Charger is disconnected from the electrical outlet. Recharging the Battery more than **5 hours** can cause damage to the battery cells. **(See Figure D.)**
6. While charging, the Battery (1A), Battery Charger (1B), and/or Charger Base (1C) may become warm to the touch. This is normal, and does not indicate a problem. **(See Figure D.)**
7. Once the Battery (1A) is fully charged, disconnect the Battery Charger (1B) from the electrical outlet. Then, disconnect the Battery from the Charging Base. **(See Figure D.)**




To Operate The Flashlight:

1. Insert the fully charged Battery (1A) in the Flashlight's Handle, and make sure the *Spring* on the Battery snaps into place on the Handle. **(See Figure E, next page.)**
2. Slide the Switch Button (4C) on the Handle forward to turn "ON". **(See Figure E.)**

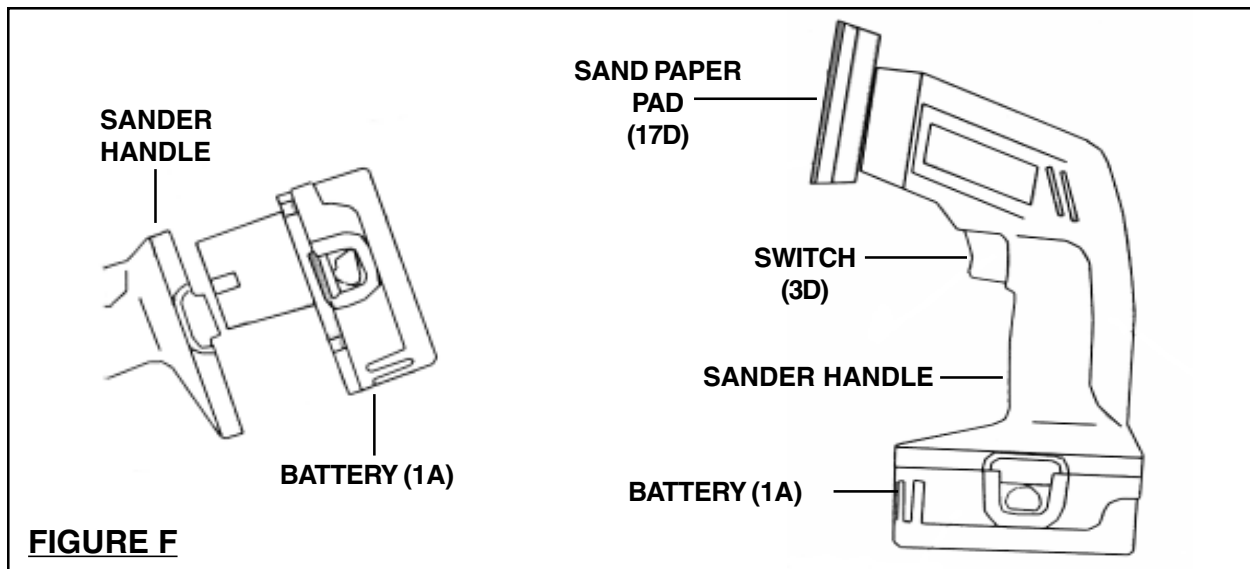
3. To turn off the Flashlight, slide the Switch Button (4C) to its OFF position. **(See Figure E.)**
4. To change the Bulb (7C), unscrew the Light Head Cap (9C) and remove the Lens (8C). Remove the old Bulb by pushing in on the Bulb while turning it clockwise. Insert a new Bulb by aligning the tabs on the Bulb with the slots in the Bulb socket. Push in on the new Bulb while turning it counterclockwise. Re-attach the Lens and Light Head Cap. **(See Figure E.)**



To Operate The Sander:


1.  **WARNING!** The Cordless Sander is **not** designed for *wet* sanding.
2. Make sure the Battery (1A) is disconnected from the Sander prior to attaching sand paper (not included) to the tool.
3. To attach sand paper to the Sander, use the *hook and loop* mechanism on its Sand Paper Pad (17D). **(See Figure F, next page.)**
4. Whenever possible, secure the workpiece that is to be sanded in a vise or with clamps.
5. Insert the fully charged Battery (1A) in the Sander's Handle, and make sure the *Spring* on the Battery snaps into place on the Handle. **(See Figure F.)**
6. To turn on the Sander, squeeze the Switch (3D). **NOTE:** Always grip the Sander firmly with **both hands** when the tool is running.

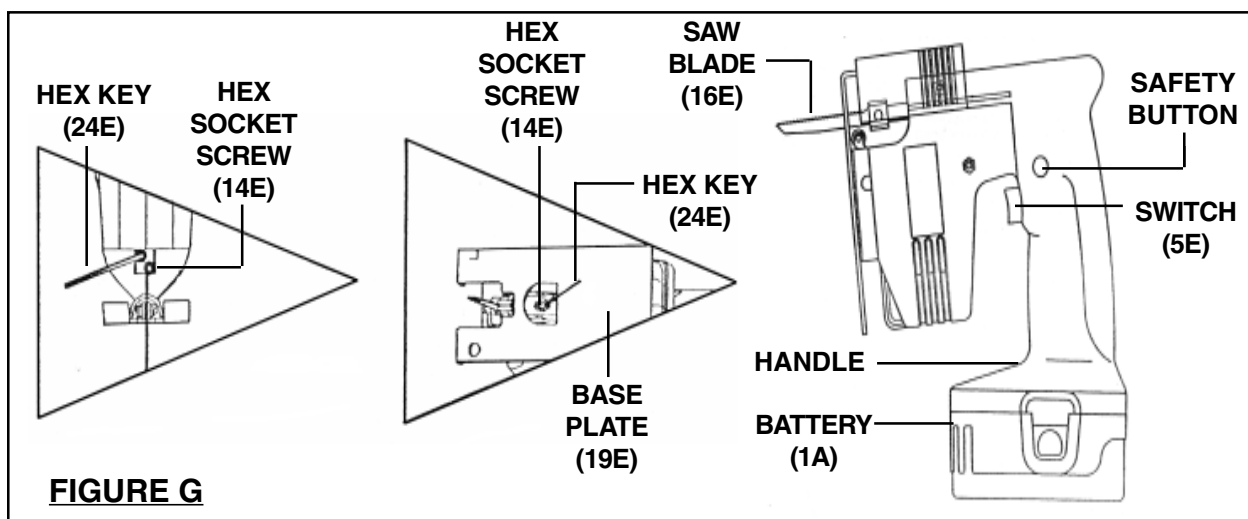
7. Lightly apply the oscillating Sand Paper Pad (17D) to the workpiece surface, and begin sanding the workpiece by moving the tool forward and backward *with (parallel to) the grain* of the workpiece.
8. Once the sanding job is completed, release pressure on the Switch (3D) to turn off the Sander. **(See Figure F.)**
9. **IMPORTANT:** If, during the sanding process it becomes necessary to replace worn sand paper with new sand paper, make sure to turn off the Sander and disconnect the Battery (1A). Re-install new sand paper and *then* re-attach the Battery. **(See Figure F.)**




To Operate The Jigsaw:

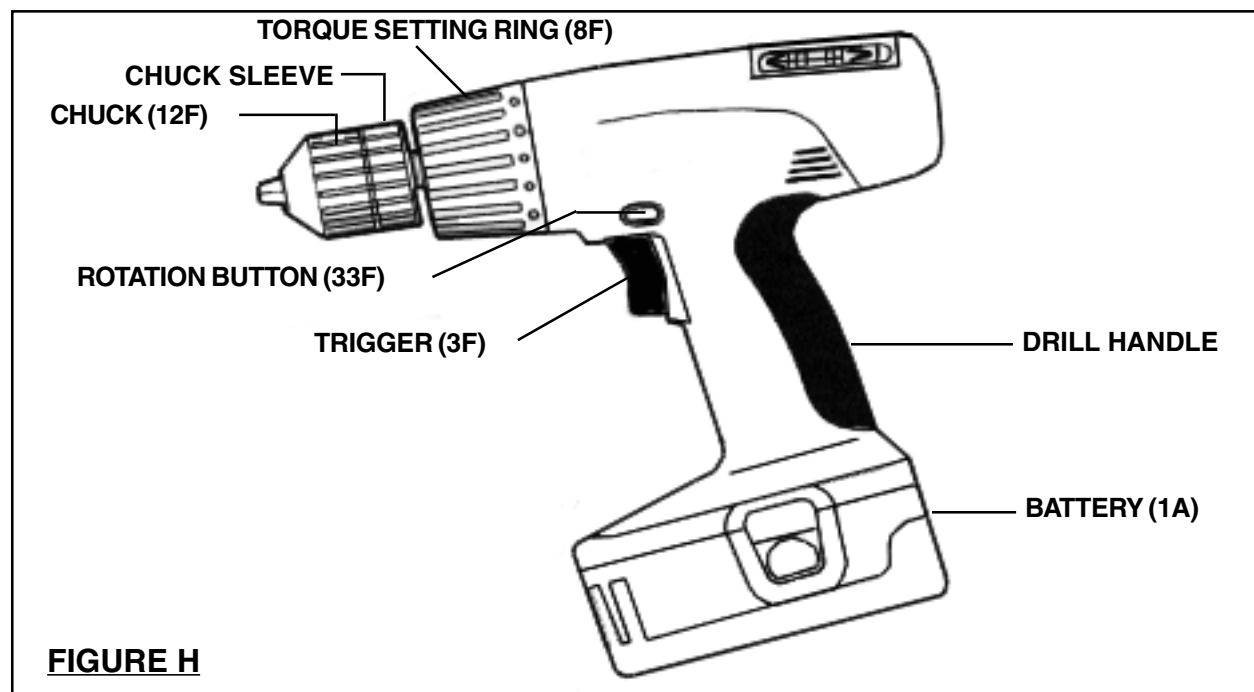
1. Make sure the Battery (1A) is disconnected from the Jigsaw prior to attaching the Saw Blade (16E) to the tool.
2. To attach the Saw Blade (16E) to the Jigsaw, use the Hex Key (24E) to loosen the two Hex Socket Screws (14E). **(See Figure G, next page.)**
3. Insert the shank of the Saw Blade (16E) upward into the Blade Holder (15E) with its saw teeth pointing to the front of the tool. Then, re-tighten the two Hex Socket Screws (14E) to secure the Saw Blade in place. **(See Figure G.)**
4. If desired, the angle of a cut may be adjusted. To do so, loosen the Hex Socket Screw (14E) located on the underside of the Sander. Tilt the Base Plate (19) to the desired angle. Then, re-tighten the Hex Socket Screw. **(See Figure G.)**

5. Whenever possible, secure the workpiece that is to be cut in a vise or with clamps.
6. Insert the fully charged Battery (1A) in the Jigsaw's Handle, and make sure the *Spring* on the Battery snaps into place on the Handle.
(See Figure G.)
7. The Jigsaw is equipped with a *Safety Button* that prevents accidental starting. To turn on the Jigsaw, depress the Safety Button and then squeeze the Switch (5E).
NOTE: Always grip the Jigsaw firmly with **both hands** when the tool is running.
(See Figure G.)
8.  **WARNING!** Always keep hands and fingers away from the moving Saw Blade (16E). **(See Figure G.)**
9. Lightly feed the Saw Blade (16E) into the workpiece and apply light, gradual, forward, pressure on the Jigsaw to move the tool along the area to be cut.
10. Do not attempt to back out of an uncompleted cut while the Jigsaw is running. If necessary, release pressure on the Switch (5E) to turn off the Jigsaw. Then, remove the tool from the workpiece. **(See Figure G.)**
11. **IMPORTANT:** If, during the cutting process it becomes necessary to replace a bent or broken Saw Blade (16E) with a new Saw Blade, or re-adjust the angle of the Base Plate (19E), make sure to turn off the Jigsaw and disconnect the Battery (1A). Re-install a new Saw Blade, or re-adjust the Base Plate, and *then* re-attach the Battery. **(See Figure G.)**




To Operate The Drill:

1.  **WARNING!** Always make sure the Trigger (3F) of the Cordless Drill is in its “OFF” position, the Battery (1A) is removed from the Drill, and the Battery Charger (1B) is unplugged from its electrical outlet prior to making any adjustments to the tool. **(See Figure H.)**
2. **The Chuck (12F):** Accepts up to 3/8” diameter drill bits (not included) and the Screwdriver Bit (31F). To install a drill bit, hold the Chuck Sleeve firmly in place and turn the Chuck (12F) *counterclockwise*. Insert the shank of a drill bit all the way into the Chuck. While holding the Chuck Sleeve in place, turn the Chuck *clockwise* to lock the drill bit in place. **(See Figure H.)**
3. **The Trigger (3F):** The Trigger is operated *manually* simply by squeezing the Trigger to turn on the Drill and releasing pressure on the Trigger to turn off the Drill. **(See Figure H.)**
4. **The Rotation Button (33F):** The Rotation Button allows you to change the rotational direction of the Drill. For a clockwise rotation, move the Rotation Button to the *right*. For a counterclockwise rotation, move the Rotation Button to the *left*. **(See Figure H.)**
5. **The Torque Setting Ring (8F):** The Torque Setting Ring allows you to select up to eight different driving torque settings, depending on the job required. To change the driving torque, simply turn the Torque Setting Ring to the desired setting. **(See Figure D.)**



6. Whenever possible, secure the workpiece that is to be drilled in a vise or with clamps.
7. When installing drill bits or the Screwdriver Bit (31F), make sure the Battery (1A) is removed from the Drill to avoid accidental starting. Then, insert and lock in place a drill bit or Screwdriver Bit in the Chuck (12F) of the Drill.
(See Figure H.)
8. Insert the fully charged Battery (1A) in the Drill's Handle, and make sure the *Spring* on the Battery snaps into place on the Handle. **(See Figure H.)**
9. Lubricate the cutting tip of the drill bit with cutting oil when drilling iron or steel. Use a coolant when drilling non-ferrous metals such as copper, brass, or aluminum.
10. When drilling in light gauge metal or wood, use a wooden block to back up the material to prevent damage to the workpiece.
11. Mark the center of the hole to be drilled with a center punch to give a drill bit a start and to prevent it from "walking".
12. To turn on the Drill, squeeze the Trigger (3F). **NOTE:** Always grip the Drill firmly with **both hands** when the tool is running. **(See Figure H.)**
13. Drill only as deep as necessary. Do not drill deeper than necessary into walls or other areas where you cannot identify any possible hazards behind the drilling surface.
14. To reduce jamming as the drill bit breaks through the workpiece, decrease the drilling pressure when the point of the drill bit breaks through the workpiece.
15. When you have drilled the hole, remove the drill bit from the hole while the Drill is still running. This prevents the drill bit from getting caught in the hole and causing damage.
16. Release the Trigger (3F) to stop the Drill. Then, remove the Battery (1A) and drill bit from the Drill.

INSPECTION, MAINTENANCE, AND CLEANING

1.  **WARNING!** Always remove the Battery Pack (1A) from a tool and unplug the Battery Charger (1B) from its electrical outlet before performing any inspection, maintenance, or cleaning on the tool.

2. **BEFORE EACH USE**, inspect the general condition of the tools. Check for misalignment or binding of moving parts, cracked or broken parts, damaged wiring, and any other condition that may affect their safe operation. If abnormal noise or vibration occurs with a tool, have the problem corrected before further use. **Do not use damaged equipment.**
3. **TO CLEAN**, use a clean, damp, cloth to clean the outer surfaces of the Combo Pack tools and accessories. A mild detergent may be used. Do not use solvents. Do not immerse any of the tools, Battery, or Battery Charger in water.
4. **WHEN STORING**, always keep the Combo Pack tools and accessories in a clean, dry location.

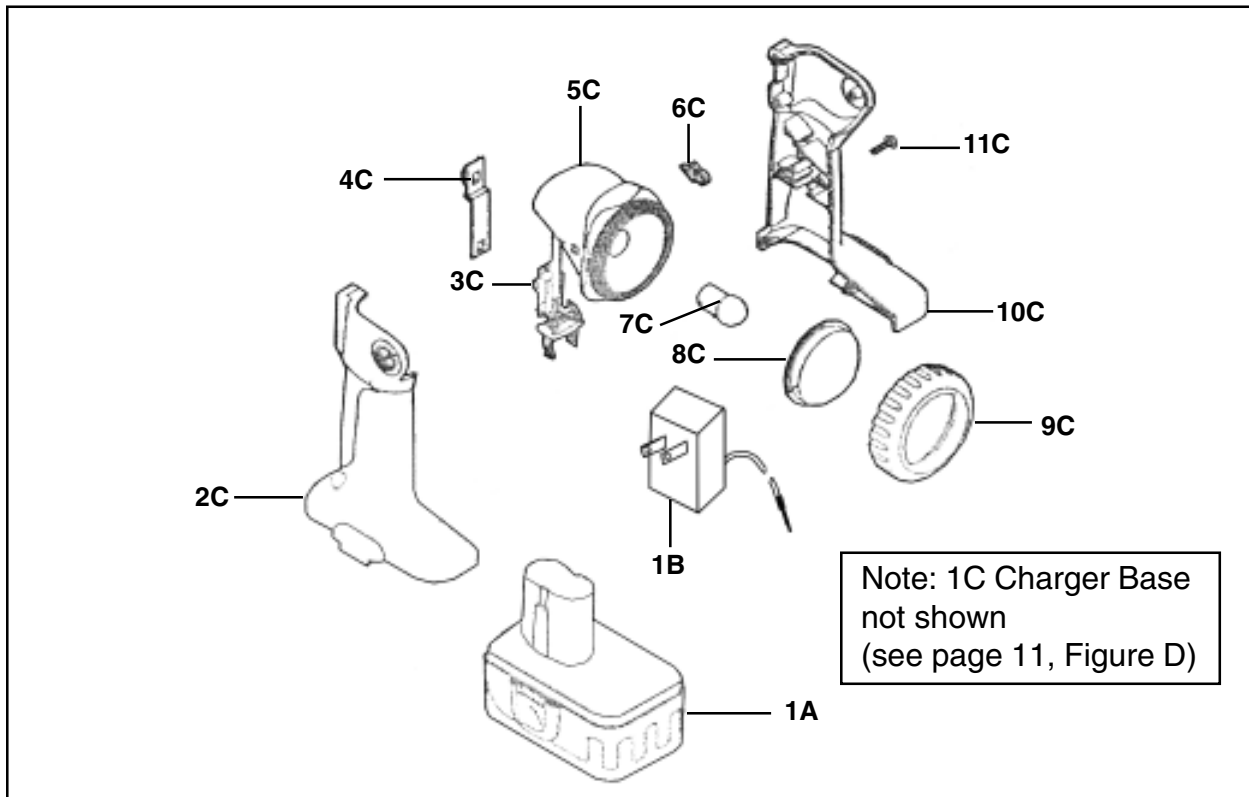
PLEASE READ THE FOLLOWING CAREFULLY
--

THE MANUFACTURER AND/OR DISTRIBUTOR HAS PROVIDED THE PARTS LIST AND ASSEMBLY DIAGRAM IN THIS MANUAL AS A REFERENCE TOOL ONLY. NEITHER THE MANUFACTURER OR DISTRIBUTOR MAKES ANY REPRESENTATION OR WARRANTY OF ANY KIND TO THE BUYER THAT HE OR SHE IS QUALIFIED TO MAKE ANY REPAIRS TO THE PRODUCT, OR THAT HE OR SHE IS QUALIFIED TO REPLACE ANY PARTS OF THE PRODUCT. IN FACT, THE MANUFACTURER AND/OR DISTRIBUTOR EXPRESSLY STATES THAT ALL REPAIRS AND PARTS REPLACEMENTS SHOULD BE UNDERTAKEN BY CERTIFIED AND LICENSED TECHNICIANS, AND NOT BY THE BUYER. THE BUYER ASSUMES ALL RISK AND LIABILITY ARISING OUT OF HIS OR HER REPAIRS TO THE ORIGINAL PRODUCT OR REPLACEMENT PARTS THERETO, OR ARISING OUT OF HIS OR HER INSTALLATION OF REPLACEMENT PARTS THERETO.

PARTS LIST - FLASHLIGHT

Part #	Description	Part #	Description
1A	Battery	6C	Locate Spring
1B	Battery Charger	7C	Bulb
1C	Charger Base	8C	Lens
2C	Right Enclosure	9C	Light Head Cap
3C	Switch	10C	Left Enclosure
4C	Switch Button	11C	Screw
5C	Light Head Cover		

ASSEMBLY DIAGRAM - FLASHLIGHT

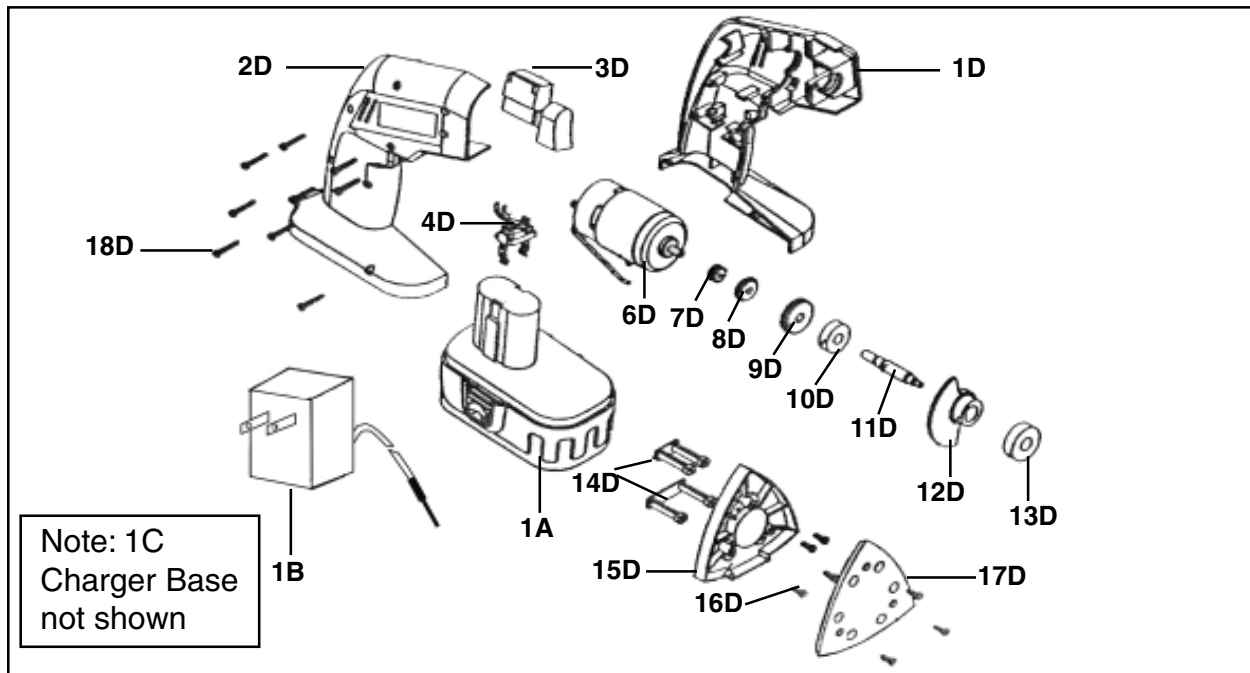


NOTE: Some parts are listed and shown for illustration purposes only, and are not available individually as original or replacement parts.

PARTS LIST - SANDER

Part #	Description	Part #	Description
1A	Battery	9D	Gear
1B	Battery Charger	10D	Bearing
1C	Charger Base	11D	Shaft
1D	Enclosure	12D	Oscillator
2D	Enclosure	13D	Bearing
3D	Switch	14D	Support
4D	Pole Plate	15D	Base Plate
6D	Motor	16D	Tapping Screw
7D	Gear	17D	Sand Paper Pad
8D	Bearing	18D	Tapping Screw

ASSEMBLY DIAGRAM - SANDER

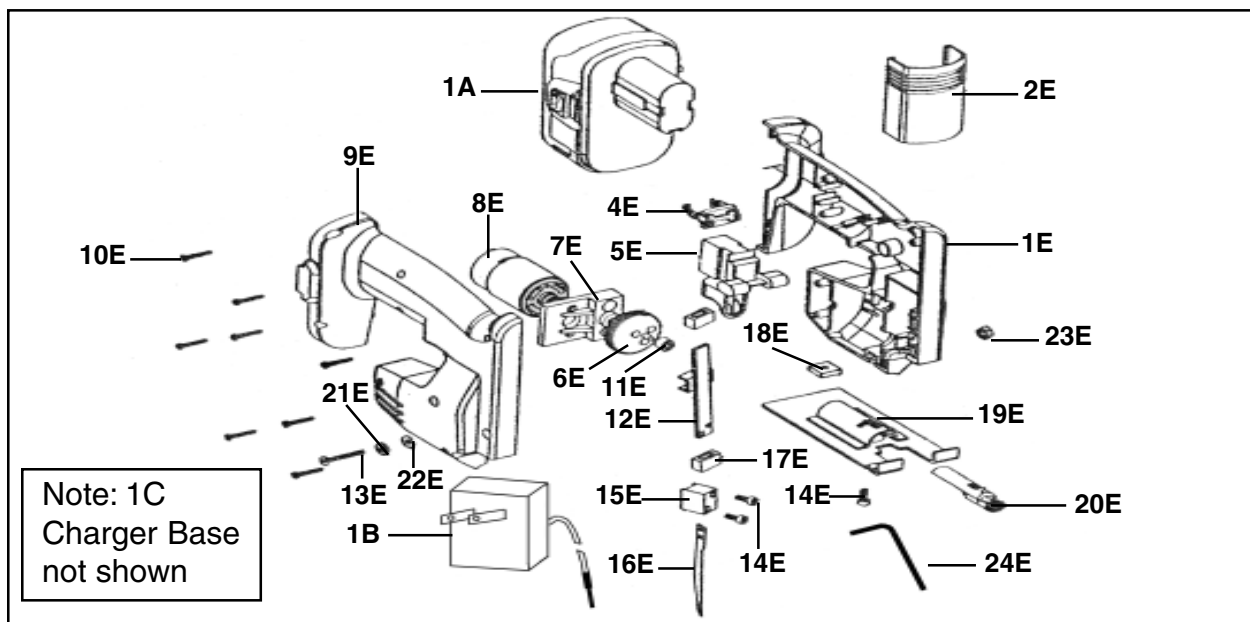


NOTE: Some parts are listed and shown for illustration purposes only, and are not available individually as original or replacement parts.

PARTS LIST - JIGSAW

Part #	Description	Part #	Description
1A	Battery	12E	Slide Bar
1B	Battery Charger	13E	Screw
1C	Charger Base	14E	Hex Socket Screw
1E	Enclosure	15E	Blade Holder
2E	Guard	16E	Saw Blade
4E	Pole Plate	17E	Slide Sleeve
5E	Switch	18E	Block
6E	Excentral Gear	19E	Base Plate
7E	Support Bracket	20E	Roller Support
8E	Motor	21E	Spring Washer
9E	Enclosure	22E	Washer
10E	Tapping Screw	23E	Nut
11E	Self-Oiled Bearing	24E	Hex Key

ASSEMBLY DIAGRAM - JIGSAW



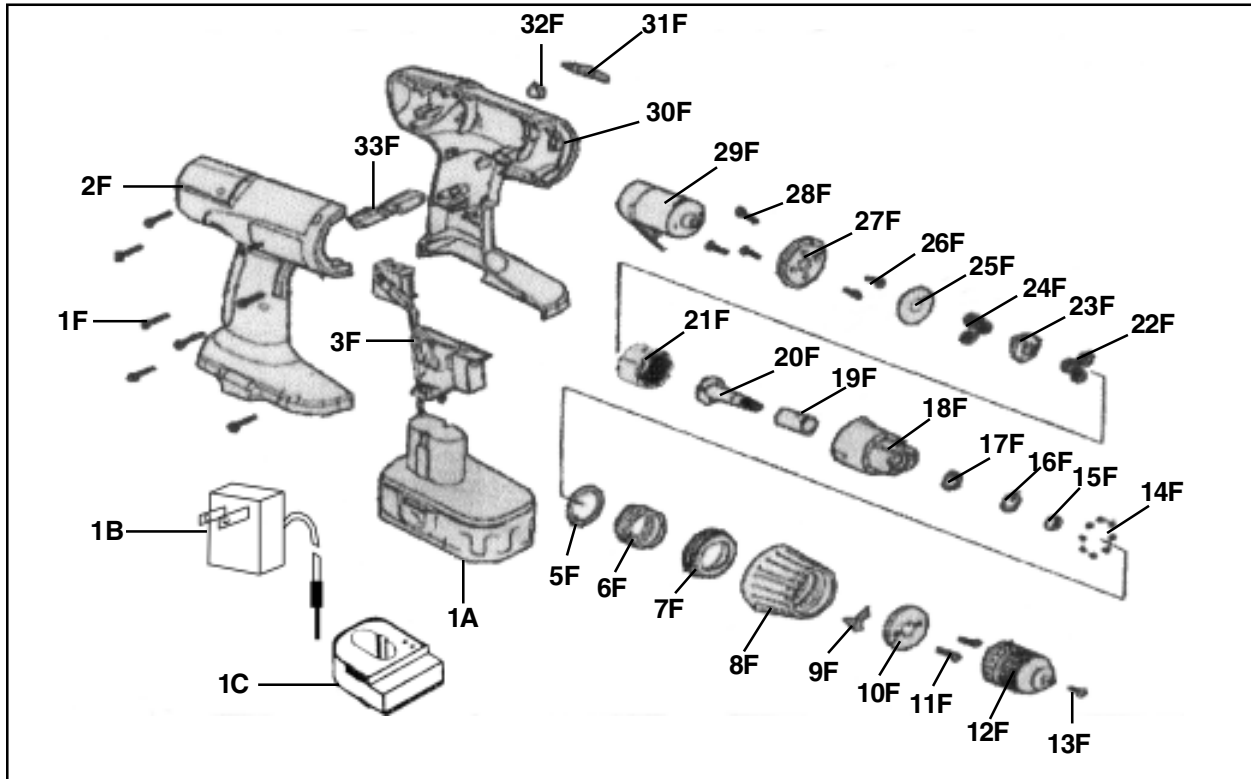
NOTE: Some parts are listed and shown for illustration purposes only, and are not available individually as original or replacement parts.

PARTS LIST - DRILL

Part #	Description	Part #	Description
1A	Battery	17F	Small Ball Bearings
1B	Battery Charger	18F	Governor Box
1C	Charging Base	19F	Shaft Coat
1F	Self Tapping Screw	20F	Spindle
2F	Right Enclosure	21F	Gear Ring
3F	Trigger Switch Assy.	22F	Planetary Gear
5F	Ring	23F	Planetary Bracket
6F	Spring	24F	Planetary Gear
7F	Inner Threaded Ring	25F	Washer
8F	Torque Setting Ring	26F	Self Tapping Screw
9F	Torque Positioning Spring	27F	Motor Flange
10F	Spring Holder	28F	Self Tapping Screw
11F	Self Tapping Screw	29F	Motor
12F	Chuck	30F	Left Enclosure
13F	Chuck Screw	31F	Screwdriver Bit
14F	Ball Bearings	32F	Bit Clip
15F	Fixing Ring	33F	Rotation Button
16F	Small Ring		

NOTE: Some parts are listed and shown for illustration purposes only, and are not available individually as original or replacement parts.

ASSEMBLY DIAGRAM - DRILL



NOTE: Some parts are listed and shown for illustration purposes only, and are not available individually as original or replacement parts.

Free Manuals Download Website

<http://myh66.com>

<http://usermanuals.us>

<http://www.somanuals.com>

<http://www.4manuals.cc>

<http://www.manual-lib.com>

<http://www.404manual.com>

<http://www.luxmanual.com>

<http://aubethermostatmanual.com>

Golf course search by state

<http://golfingnear.com>

Email search by domain

<http://emailbydomain.com>

Auto manuals search

<http://auto.somanuals.com>

TV manuals search

<http://tv.somanuals.com>