

CENTRAL PNEUMATIC®

Air Vacuum Pump With R-134a Connector

Model 92475

ASSEMBLY AND OPERATING INSTRUCTIONS



⚠ DANGER

All technicians opening the refrigeration circuit in automotive air conditioning systems **MUST** be certified in refrigerant recovery and recycling procedures in compliance with Section 609 of the Clean Air Act Amendments of 1990.

For additional information regarding ozone depletion and air conditioning service regulations, please visit EPA's website:

<http://www.epa.gov/ozone>



In addition, service of air conditioning systems can result in overfilling, creating a serious **EXPLOSION HAZARD**, if done by an untrained or inexperienced technician.

Due to continuing improvements, actual product may differ slightly from the product described herein.



3491 Mission Oaks Blvd., Camarillo, CA 93011
Visit our Web site at <http://www.harborfreight.com>

Copyright® 2005 by Harbor Freight Tools®. All rights reserved. No portion of this manual or any artwork contained herein may be reproduced in any shape or form without the express written consent of Harbor Freight Tools.

For technical questions and replacement parts, please call 1-800-444-3353

Specifications

Construction:	Steel Box with Brass Fittings	Overall Dimensions:	8- ³ / ₈ " L x 5" W x 6- ¹ / ₂ " H
Vacuum Level:	28.3 inHg at Sea Level	Air Inlet:	1/ ₄ " NPT
Connector System:	R-134a	Air Consumption:	4.2 CFM
Maximum Air Pressure:	90 PSI	Net Weight:	1.75 Lbs.

This air-powered venturi-type pump allows you to quickly and effectively remove moisture from automotive air conditioning systems. This allows you to properly service the AC system, and to safely add refrigerant. This pump quickly pulls full vacuum within 2 minutes. The included connectors allow you to connect to R-134a and R-12 refrigerant type systems. The standard 1/4" NPT air fitting allows you to conveniently connect to your air pressure supply (not included).

Save This Manual

You will need the manual for the safety warnings and precautions, assembly instructions, operating and maintenance procedures, parts list and diagram. Keep your invoice with this manual. Write the invoice number on the inside of the front cover. Keep the manual and invoice in a safe and dry place for future reference.

Safety Warnings and Precautions

WARNING: When using tool, basic safety precautions should always be followed to reduce the risk of personal injury and damage to equipment.

Read all instructions before using this tool!

1. **Keep work area clean.** Cluttered areas invite injuries.
2. **Observe work area conditions.** Do not use machines or power tools in damp or wet locations. Don't expose to rain. Keep work area well lit. Do not use electrically powered tools, such as your air compressor, in the presence of flammable gases or liquids.

3. **Keep children away.** Children must never be allowed in the work area. Do not let them handle machines, tools, or extension cords.
4. **Store idle equipment.** When not in use, tools must be stored in a dry location to inhibit rust. Always lock up tools and keep out of reach of children.
5. **Use the right tool for the job.** Do not attempt to force a small tool or attachment to do the work of a larger industrial tool. There are certain applications for which this tool was designed. It will do the job better and more safely at the rate for which it was intended. Do not modify this tool and do not use this tool for a purpose for which it was not intended.
6. **Dress properly.** Do not wear loose clothing or jewelry as they can be caught in moving parts. Protective, electrically nonconductive clothes and nonskid footwear are recommended when working. Wear restrictive hair covering to contain long hair.
7. **Use safety equipment for your protection.** Always wear ANSI approved impact safety goggles. Wear an ANSI approved dust mask or respirator when working around metal, wood, and chemical dusts and mists.
8. **Do not overreach.** Keep proper footing and balance at all times. Do not reach over or across running machines.
9. **Maintain tools with care.** Keep tools maintained and clean for better and safer performance. Follow instructions for lubricating and changing accessories. Inspect tool fittings periodically and, if damaged, have them repaired by an authorized technician. The handles must be kept clean, dry, and free from oil and grease at all times.
10. **Disconnect power.** Unplug tool from air pressure supply when not in use.
11. **Remove adjusting keys and wrenches.** Check that keys and adjusting wrenches are removed from the tool or machine work surface before attaching it to air pressure supply.
12. **Avoid unintentional starting.** Be sure the air vacuum pump is properly connected to the automotive AC system before attaching it to your air pressure supply.
13. **Stay alert.** Watch what you are doing, use common sense. Do not operate any tool when you are tired.
14. **Check for damaged parts.** Before using any tool, any part that appears damaged should be carefully checked to determine that it will operate properly and perform its intended function. Check for alignment and binding of moving parts; any broken parts or mounting fixtures; and any other condition that may affect

proper operation. Any part that is damaged should be properly repaired or replaced by a qualified technician.

15. **Replacement parts and accessories.** When servicing, use only identical replacement parts. Use of any other parts will void the warranty. Only use accessories intended for use with this tool. Approved accessories are available from Harbor Freight Tools.
16. **Do not operate tool if under the influence of alcohol or drugs.** Read warning labels on prescriptions to determine if your judgment or reflexes are impaired while taking drugs. If there is any doubt, do not operate the tool.
17. **Use proper size and type extension cord.** If an extension cord is required for your air compressor, it must be of the proper size and type to supply the correct current to the compressor without heating up. Otherwise, the extension cord could melt and catch fire, or cause electrical damage to the compressor.
18. **Maintenance.** For your safety, service and maintenance should be performed regularly by a qualified technician.
19. **WARNING:** The brass components of this product contain lead, a chemical known to the State of California to cause birth defects (or other reproductive harm). (California Health & Safety code § 25249.5, *et seq.*)

Warning: The warnings, cautions, and instructions discussed in this instruction manual cannot cover all possible conditions and situations that may occur. It must be understood by the operator that common sense and caution are factors which cannot be built into this product, but must be supplied by the operator.

Unpacking

When unpacking, check to make sure the product is intact and undamaged. If any parts are missing or broken, please call Harbor Freight Tools at the number on the cover of this manual.

Assembly

NOTE: While not required for operation, it is advisable to mount a quick release air fitting to the Air Fitting (13). This will make it easier for you to quickly attach and detach your air supply hose from this tool.

Operation

*It is unlawful and hazardous to discharge refrigerants into the atmosphere. Before beginning work with this tool, safely capture refrigerants using an approved refrigerant recovery system, and dispose of them properly. **Contact the EPA for important certification regulations and other regulations that apply, see Front Cover.***

Warning: The AC system must be turned OFF during this procedure.

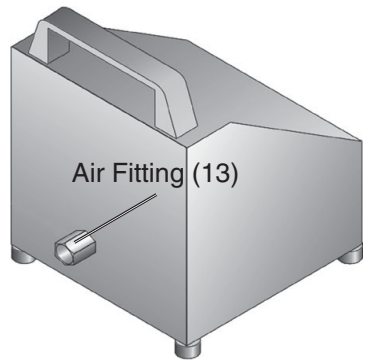
1. Empty the AC system of refrigerants, in preparation for purging and refilling.



R-134a Connector (8)

2. Attach your air pressure hose (not included) to the Air Fitting (13) either by threading it directly on, or by using a quick release fitting.
3. Attach the R-134a Manifold fitting to the AC drain port in your vehicle. This is a quick release fitting. **NOTE:** The drain port is generally the lower of the two R-134a manifold ports in your system, and is located downstream from the compressor in your system. Please refer to your vehicle owner or shop manual for specific information on your vehicle.

4. Turn on the Air Vacuum Pump by activating your air compressor (not included). Recommended pressure is 40 PSI, and not to exceed 90 PSI.
5. The vacuum will build for approximately 2 minutes, before reaching its full power. Allow the pump to draw vacuum on the system for approximately 5-10 minutes to thoroughly remove all moisture from the system.
6. The gauge (not included) should show negative pressure and maintain that reading for 10 minutes. If it rises back towards 0, there may be a leak in the system.
7. Remove the R-134a manifold fitting, and turn off your air compressor.



Maintenance

1. Always store your Air Vacuum Pump in a secure place when not in use, out of reach of children and other unauthorized persons.
2. Protect it from damp or corrosive atmospheres or materials which may cause damage.
3. Before storing, inject a small amount of WD-40® or other water replacement lubricant into the R-134a Connector (8) and Air Fitting (13). This will help prevent corrosion.
4. All service and repairs must be performed only by a qualified technician.

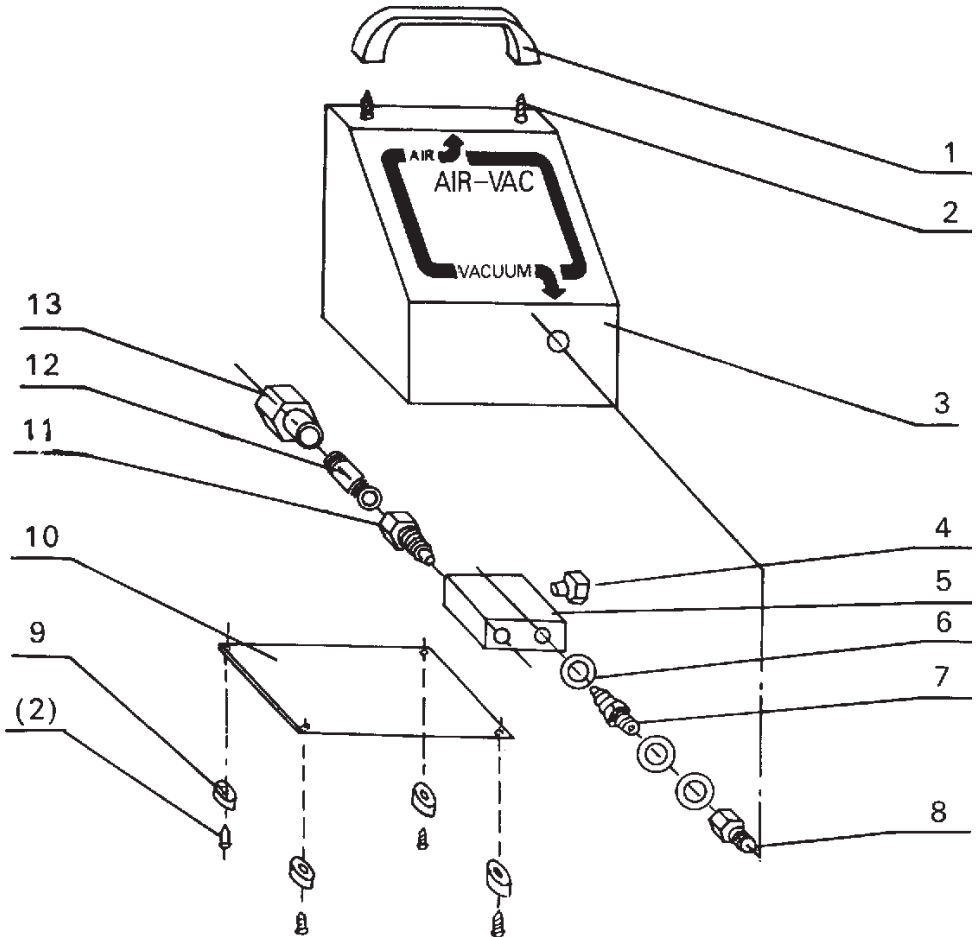
Parts List

Part #	Description	Qty.
1	Handle	1
2	Screw m6	6
3	Cover	1
4	Nut m8	1
5	Manifold Block	1
6	Washer	3
7	Tube Fitting m10	1

Part #	Description	Qty.
8	R134a Connector	1
9	Washer	4
10	Base	1
11	Fitting	1
12	Tube m10	1
13	Air Fitting	1

NOTE: Some parts are listed and shown for illustration purposes only and are not available individually as replacement parts.

Assembly Drawing



PLEASE READ THE FOLLOWING CAREFULLY

THE MANUFACTURER AND/OR DISTRIBUTOR HAS PROVIDED THE PARTS DIAGRAM IN THIS MANUAL AS A REFERENCE TOOL ONLY. NEITHER THE MANUFACTURER NOR DISTRIBUTOR MAKES ANY REPRESENTATION OR WARRANTY OF ANY KIND TO THE BUYER THAT HE OR SHE IS QUALIFIED TO MAKE ANY REPAIRS TO THE PRODUCT OR THAT HE OR SHE IS QUALIFIED TO REPLACE ANY PARTS OF THE PRODUCT. IN FACT, THE MANUFACTURER AND/OR DISTRIBUTOR EXPRESSLY STATES THAT ALL REPAIRS AND PARTS REPLACEMENTS SHOULD BE UNDERTAKEN BY CERTIFIED AND LICENSED TECHNICIANS AND NOT BY THE BUYER. THE BUYER ASSUMES ALL RISK AND LIABILITY ARISING OUT OF HIS OR HER REPAIRS TO THE ORIGINAL PRODUCT OR REPLACEMENT PARTS THERETO, OR ARISING OUT OF HIS OR HER INSTALLATION OF REPLACEMENT PARTS THERETO.

Free Manuals Download Website

<http://myh66.com>

<http://usermanuals.us>

<http://www.somanuals.com>

<http://www.4manuals.cc>

<http://www.manual-lib.com>

<http://www.404manual.com>

<http://www.luxmanual.com>

<http://aubethermostatmanual.com>

Golf course search by state

<http://golfingnear.com>

Email search by domain

<http://emailbydomain.com>

Auto manuals search

<http://auto.somanuals.com>

TV manuals search

<http://tv.somanuals.com>