



FLAT PANEL TV WALL MOUNT

Model 67781

INSTRUCTIONS AND PRECAUTIONS



Visit our website at: <http://www.harborfreight.com>



**SAVE THESE
INSTRUCTIONS.
READ ALL
PRECAUTIONS AND
INSTRUCTIONS.**

Copyright© 2010 by Harbor Freight Tools®. All rights reserved. No portion of this document or any artwork contained herein may be reproduced in any shape or form without the express written consent of Harbor Freight Tools. Diagrams within this document may not be drawn proportionally. Due to continuing improvements, actual product may differ slightly from the product described herein. Tools required for assembly and service may not be included.

**For technical questions or replacement parts,
please call 1-800-444-3353.**

SPECIFICATIONS

Weight Capacity	150 lb.
For LED / LCD / Plasma TVs 37" to 61" wide	

UNPACKING

When unpacking, make sure that the item is intact and undamaged. If any parts are missing or broken, please call Harbor Freight Tools at 1-800-444-3353 as soon as possible.

IMPORTANT SAFETY INFORMATION

1. Do not exceed 150 lb. max. weight capacity of TV Bracket. Sudden load movement may briefly create excess load causing product failure.
2. Do not mount TV Bracket to hollow wall, gypsum board, or similar material that will not support the weight of the TV. Mount only to 2" x 4" wood stud or concrete/brick walls that can safely support combined weight of Bracket, TV and all attached hardware and components.
3. If you are unsure wall is strong enough to support weight of TV and TV Bracket, contact a professional installer to reinforce wall.
4. Do not mount overhead.
5. Assemble and install only according to these instructions. Improper assembly and installation can create hazards and lead to personal injury and property damage.
6. Verify that mounting surface has no hidden utility lines before drilling or driving screws.
7. Wear ANSI-approved safety goggles and heavy-duty work gloves during installation.
8. Inspect before installing; do not mount to wall if parts are missing, loose or damaged.
9. Use as intended only. Do not use TV Bracket for any purpose for which it was not designed.
10. Keep installation area clean and well lit.
11. Do not assemble or install when tired or when under the influence of drugs or medication.
12. This product is not a toy. Do not allow children to play with or near this item.
13. Maintain product labels and nameplates. These carry important safety information. If unreadable or missing, contact Harbor Freight Tools for a replacement.

ASSEMBLY AND MOUNTING



Read the **ENTIRE IMPORTANT SAFETY INFORMATION** section at the beginning of this document including all text under subheadings therein before set up or use of this product.

NOTE: The following tools (none supplied) are required for mounting and installation: Stud Finder, 11/16" socket, ratchet handle, #2 Phillips screwdriver, 1/4" drill bit (for drilling into wood stud), 1/2" masonry drill bit (for drilling into brick or concrete wall), and minimum 6" level, 5mm hex wrench, and 10mm combination wrench.

Before Installing

1. Use the 5mm hex wrench to double-check that all four socket screws of the Wall Bracket (1) are tight. Tighten any connection, if needed.
2. Set Wall Bracket against the wall at the desired height. Place a level over the upper or lower cross bar and adjust Bracket until level. Use a marker to indicate locations of mounting holes.

Attaching to Wood Studs

1. First, verify woods studs are at least 16" apart. Use a Stud Finder (not included) to find two adjacent studs 16" apart. Use a marker to indicate locations of the studs.
2. Drill four 1/4" holes at least 3-1/2" deep into the studs at the marked spots.
3. Use Lag Bolts (10) and Washers (9) to mount Wall Bracket to wall. See Figure 1, below.

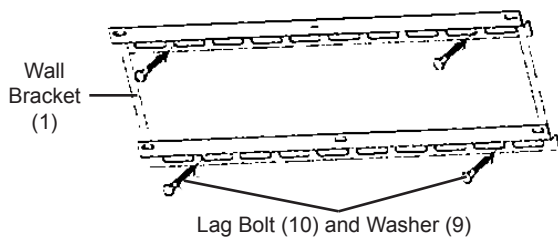


Figure 1

Attaching to Brick or Concrete Wall

1. **NOTE:** Verify at least 6" of space are between any two holes. Use 1/2" carbide tip masonry drill bit and drill four 3-3/8" deep holes.
2. Insert the Wall Anchors (11) into the holes, making sure they are flush with the wall surface.
3. **WARNING!** Wall Anchors must be set firmly against concrete or masonry. If mounting to

a masonry wall covered with drywall/plaster, counter bore a hole through drywall/plaster around mounting holes' locations. This will allow Wall Anchors to be set directly against concrete or masonry. See Figures 2a and 2b, below.

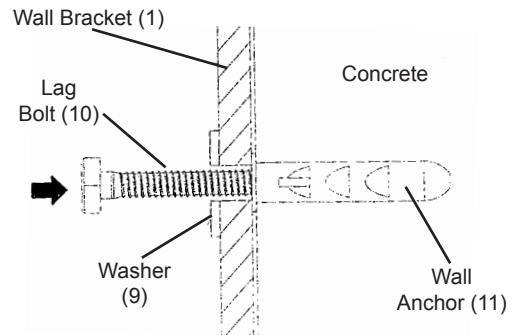


Figure 2a

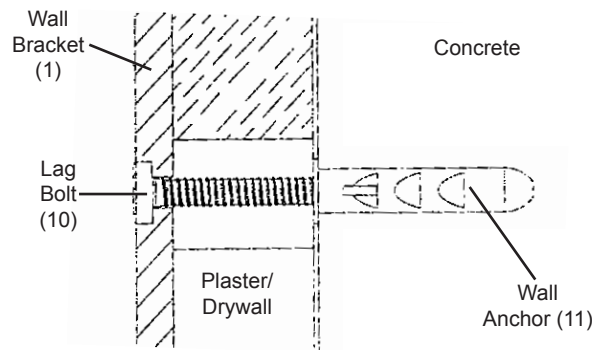


Figure 2b

4. Once Wall Anchors are securely set into concrete, use Lag Bolts and Washers to install Wall Bracket to wall. See Figure 3, below.

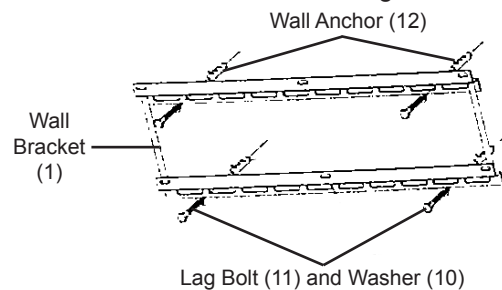


Figure 3

Attaching to Metal Studs or Concrete Block Wall

1. **NOTE:** If mounting to steel stud wall or cinder block wall, alternative mounting hardware is required.

Installing Support Arms to Flat Panel TV

1. **WARNING!** Verify TV is unplugged before threading any Screw into the TV's back panel.

2. **WARNING!** Do not lay flat panel TV face down; cover its surface with a towel or other soft material and tilt it against the wall or another solid surface.
3. **WARNING!** Some Flat Panel TVs are heavy; two people may be needed to lift and support the TV while it is being attached to the TV Bracket.
4. Locate the mounting holes on back of TV and select mounting Screws (3-6) that fit properly. **NOTE:** If you do not find the appropriate-sized Screws, refer to TV owners manual or contact TV manufacturer. Thread the Screws (3, 4, 5 or 6) through the Square Pads (8), the Support Arms (2), Spacers (7) and into the mounting holes in the back of TV panel. See Figure 4, below.

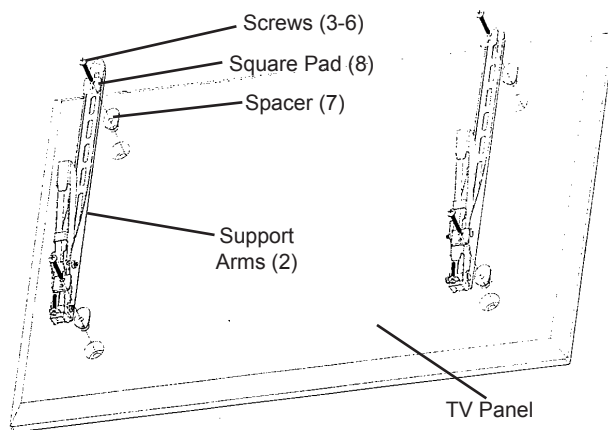


Figure 4

5. **NOTE:** The wide part of the Spacers rest against the Support Arms.
6. Carry TV to mounted Bracket and lower onto Cross Bars, making sure the four tabs of the mounts are hooked onto the top of Cross Bars and that TV is centered. See Figure 5.

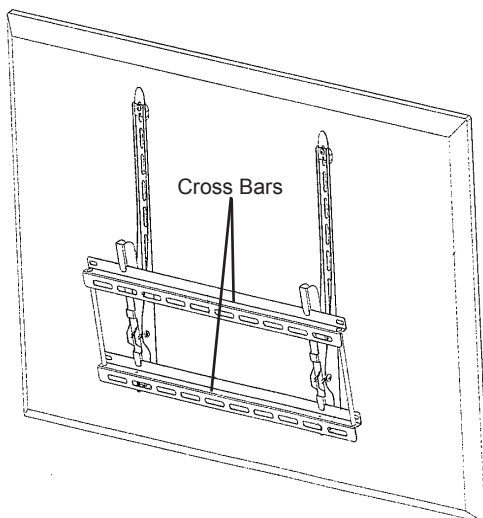


Figure 5

7. Tighten the two clamping screws leaving about an eighth of an inch space. See Figure 6.

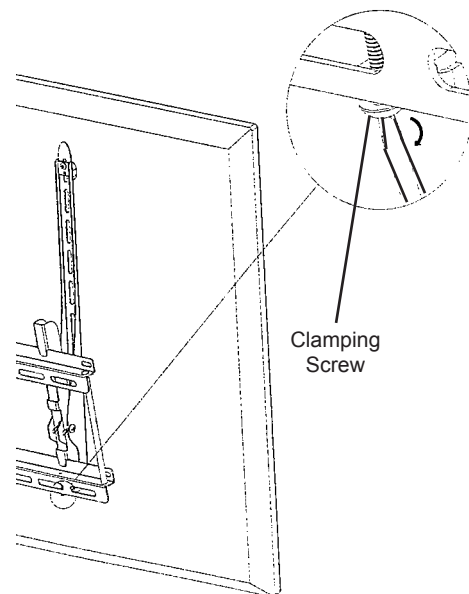


Figure 6

8. To adjust the TV angle, back off the two nuts at the Support Arm hinges by one turn. Back off the two angle-adjusting screws located at the sides of the Support Arms until end of the screw threads are almost flush with the other side of the Support Arms. See Figure 7.

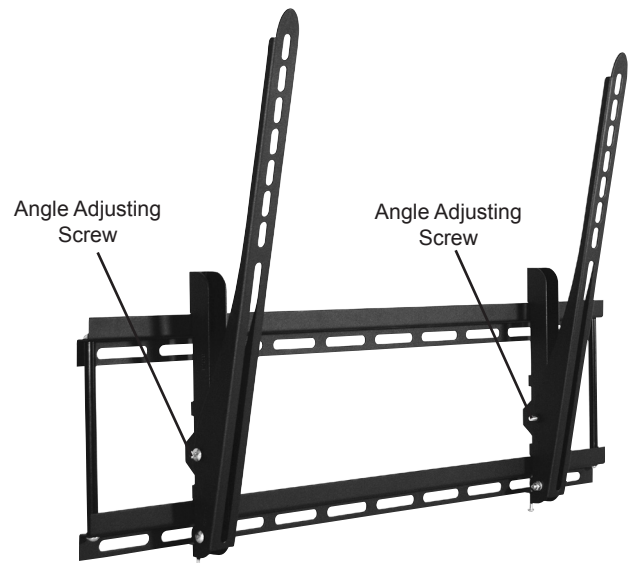
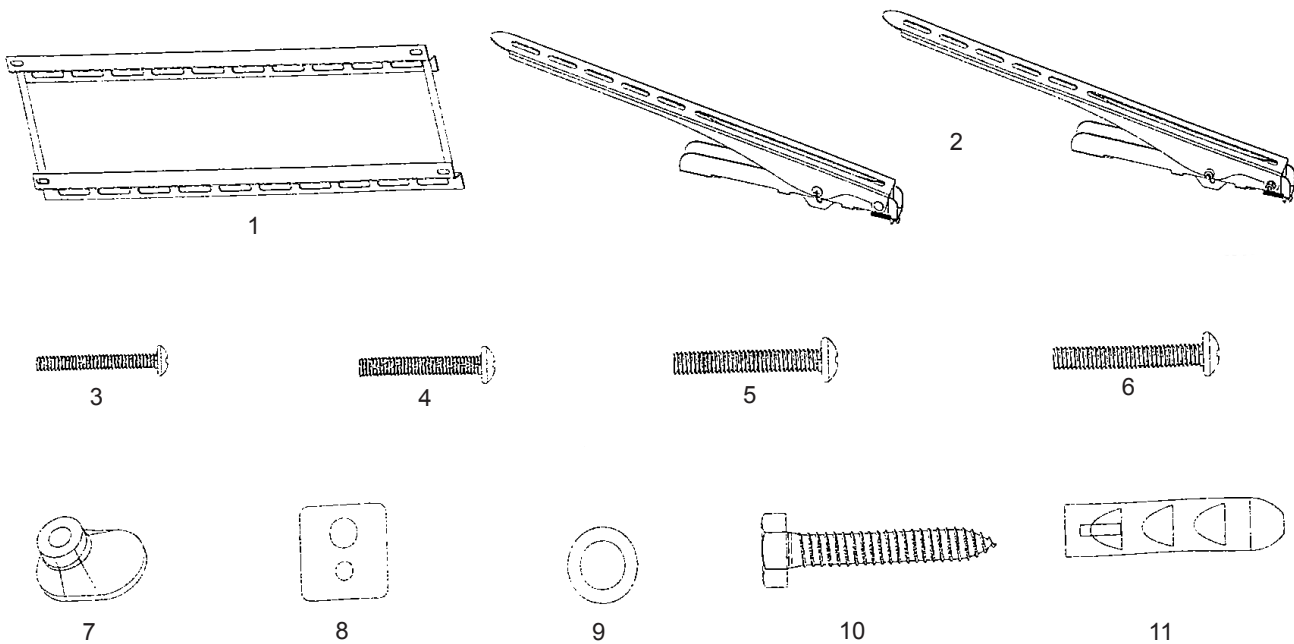


Figure 7

9. **CAUTION:** Make sure that the end of the screws does not come out of the Support Arms.
10. Tilt the TV to the desired angle (four approximate adjustment positions = 0°, 3°, 7° and 12°). Tighten the Angle-adjusting screws all the way to lock the angle position.

PARTS LIST & ASSEMBLY DIAGRAM

Part	Description	Qty.
1	Wall Bracket	1
2	Support Arm	2
3	Screw (M4 x .7 x 35mm)	4
4	Screw (M5 x .8 x 35mm)	4
5	Screw (M6 x 1.0 x 35mm)	4
6	Screw (M6 x 1.25 x 35mm)	4
7	Spacer	4
8	Square Pad	4
9	Washer	4
10	Lag Bolt	4
11	Wall Anchor	4



Record Serial Number Here: _____

Note: If product has no serial number, record month and year of purchase instead.

Note: Some parts are listed and shown for illustration purposes only, and are not available individually as replacement parts.

PLEASE READ THE FOLLOWING CAREFULLY

THE MANUFACTURER AND/OR DISTRIBUTOR HAS PROVIDED THE PARTS LIST AND ASSEMBLY DIAGRAM IN THIS DOCUMENT AS A REFERENCE TOOL ONLY. NEITHER THE MANUFACTURER OR DISTRIBUTOR MAKES ANY REPRESENTATION OR WARRANTY OF ANY KIND TO THE BUYER THAT HE OR SHE IS QUALIFIED TO MAKE ANY REPAIRS TO THE PRODUCT, OR THAT HE OR SHE IS QUALIFIED TO REPLACE ANY PARTS OF THE PRODUCT. IN FACT, THE MANUFACTURER AND/OR DISTRIBUTOR EXPRESSLY STATES THAT ALL REPAIRS AND PARTS REPLACEMENTS SHOULD BE UNDERTAKEN BY CERTIFIED AND LICENSED TECHNICIANS, AND NOT BY THE BUYER. THE BUYER ASSUMES ALL RISK AND LIABILITY ARISING OUT OF HIS OR HER REPAIRS TO THE ORIGINAL PRODUCT OR REPLACEMENT PARTS THERETO, OR ARISING OUT OF HIS OR HER INSTALLATION OF REPLACEMENT PARTS THERETO.

Free Manuals Download Website

<http://myh66.com>

<http://usermanuals.us>

<http://www.somanuals.com>

<http://www.4manuals.cc>

<http://www.manual-lib.com>

<http://www.404manual.com>

<http://www.luxmanual.com>

<http://aubethermostatmanual.com>

Golf course search by state

<http://golfingnear.com>

Email search by domain

<http://emailbydomain.com>

Auto manuals search

<http://auto.somanuals.com>

TV manuals search

<http://tv.somanuals.com>