

CERAMIC HEATER FAN

Model 67118

SET UP AND OPERATING INSTRUCTIONS



Distributed exclusively by Harbor Freight Tools®.

3491 Mission Oaks Blvd., Camarillo, CA 93011

Visit our website at: <http://www.harborfreight.com>



**Read this material before using this product.
Failure to do so can result in serious injury.
SAVE THIS MANUAL.**

Copyright© 2009 by Harbor Freight Tools®. All rights reserved. No portion of this manual or any artwork contained herein may be reproduced in any shape or form without the express written consent of Harbor Freight Tools. Diagrams within this manual may not be drawn proportionally. Due to continuing improvements, actual product may differ slightly from the product described herein. Tools required for assembly and service may not be included.

For technical questions or replacement parts, please call 1-800-444-3353.

⚠ CAUTION

Read Rules for Safe Operation and Instructions Carefully.

⚠ WARNING

1. To reduce the risk of fire or electric shock, do not use this Heater with any solid-state speed control device.
2. This appliance has a polarized plug (one blade is wider than the other). To reduce the risk of electric shock, this plug is intended to fit into a polarized outlet only one way. If the plug does not fit fully in the outlet, reverse the plug. If it still does not fit, contact a qualified electrician. Do not change the plug in any way. Do not attempt to defeat this safety feature.
3. Do not leave Heater running while unattended.

RULES FOR SAFE OPERATION

1. Never insert fingers, pencils, or any other object through Front or Rear Blade Guards.
2. Disconnect Heater when moving it from one location to another.
3. Be sure Heater is on a stable surface when operating to avoid overturning.
4. DO NOT use Heater in window. Rain may create electrical hazard.



SAVE THESE INSTRUCTIONS.

Safety Symbols

In this manual, on the labeling, and all other information provided with this product:



This is the safety alert symbol. It is used to alert you to potential personal injury hazards. Obey all safety messages that follow this symbol to avoid possible injury or death.

⚠ DANGER

DANGER indicates a hazardous situation which, if not avoided, will result in death or serious injury.

⚠ WARNING

WARNING indicates a hazardous situation which, if not avoided, could result in death or serious injury.

⚠ CAUTION

CAUTION, used with the safety alert symbol, indicates a hazardous situation which, if not avoided, could result in minor or moderate injury.

NOTICE

NOTICE is used to address practices not related to personal injury.

CAUTION

CAUTION, without the safety alert symbol, is used to address practices not related to personal injury.

IMPORTANT INSTRUCTIONS

When using electrical appliances, basic precautions should always be following to reduce the risk of fire, electric shock, and injury to persons, including the following:

1. Read all instructions before using this heater.
2. This heater is hot when in use. To avoid burns, do not let bare skin touch hot surfaces. If provided, use handles when moving this heater. Keep combustible materials, such as furniture, pillows, bedding, papers, clothes, and curtain at least 3 feet (0.9 m) from the front of the heater and keep them away from the sides and rear.
3. Extreme caution is necessary when any heater is used by or near children or invalids and whenever the heater is left operating and unattended.
4. Do not place the heater near a bed because objects such as pillows or blankets can fall off the bed and be ignited by the heater.
5. Always unplug the heater when not in use.
6. Always plug heaters directly into a wall outlet/receptacle. Never use with an extension cord or re-locatable power tap (outlet/power strip).
7. Do not operate heater with a damaged cord or plug or after the heater malfunctions, has been dropped or damaged in any manner. Discard heater or take to a qualified technician for examination and/or repair.
8. Do not run cord under carpeting. Do not cover cord with throw rugs, runners, or similar coverings. Do not route cord under furniture or appliances. Arrange cord away from traffic area and where it will not be tripped over.
9. Check your heater cord and plug connections.
 - a. Faulty wall outlet connections or loose plugs can cause the outlet or plug to overheat. Be sure the plug fits tight in the outlet.
 - b. Heaters draw more current than small appliances, overheating of the outlet may occur even if it has not occurred with the use of other appliances.
 - c. During use, check frequently to determine if your plug outlet or faceplate is HOT! If so, discontinue use of the heater and have a qualified electrician check and/or replace the faulty outlet(s).
10. This heater is not intended for use in bathrooms, laundry areas and similar indoor locations. Never locate heater where it may fall into a bathtub or other water container.
11. Do not use outdoors.
12. To disconnect heater, first turn controls to off, then remove plug from outlet.
13. Do not insert or allow foreign objects to enter any ventilation or exhaust opening as this may cause an electric shock or fire, or damage to the heater.
14. To prevent a possible fire, do not block air intakes or air outlet in any

manner. Do not use on soft surfaces, like a bed, where openings may become blocked.

15. A heater has hot and arcing or sparking parts inside. Do not use it in areas where gasoline, paint, or flammable liquids are used or stored.
16. Use this heater only as described in this manual. Any other use not recommended by the manufacturer may cause fire, electric shock, or injury to persons.
17. It is normal for the plug to feel warm to the touch. However a loose fit between the receptacle and plug may cause overheating and distortion of the plug. Contact a qualified electrician to replace a loose or worn outlet.
18. The output of this heater may vary and its temperature may become intense enough to burn exposed skin. Use of this heater is not recommended for persons with reduced sensitivity to heat or an inability to react to avoid burns.
19. This product is not a toy. Keep it out of reach of children. Children in the area of the Heater must be closely supervised to insure that they do not come in contact with the Heater.
20. Maintain labels and nameplates on the Heater. If unreadable or missing, contact Harbor Freight Tools for a replacement.
21. **WARNING:** Handling cord on this product will expose you to lead, a chemical known to the State of California to cause cancer, and birth defects or other reproductive harm. Wash hands after handling.

(California Health & Safety Code § 25249.5, *et seq.*)

22. **CAUTION: TO PREVENT ELECTRIC SHOCK MATCH WIDE BLADE OF PLUG TO WIDE SLOT, FULLY INSERT.**
23. The warnings, precautions, and instructions discussed in this instruction manual cannot cover all conditions and situations that may occur. It must be understood by operator that common sense and caution are factors which cannot be built into this product, but must be supplied by operator.



SAVE THESE INSTRUCTIONS.

SPECIFICATIONS

Electrical Requirements	120 V~ / 60 Hz
Heat Range	LO: 1000W / HI: 1500W
Settings	Off Adjustable Heat levels: Low/High Heat: Min/Max

HOUSEHOLD USE ONLY

UNPACKING

When unpacking, make sure that the item is intact and undamaged. If any parts are missing or broken, please call Harbor Freight Tools at 1-800-444-3353 as soon as possible.

Save This Manual

Keep this manual for the safety warnings and precautions, assembly, operating, inspection, maintenance and cleaning procedures. Write the product's serial number in the back of the manual near the assembly diagram (or month and year of purchase if product has no number). Keep this manual and the receipt in a safe and dry place for future reference.

OPERATION



Read the **ENTIRE RULES FOR SAFE OPERATION** section at the beginning of this manual including all text under subheadings therein before set up or use of this product.

Note: For additional information regarding parts listed, refer to Assembly Diagram at back of manual.

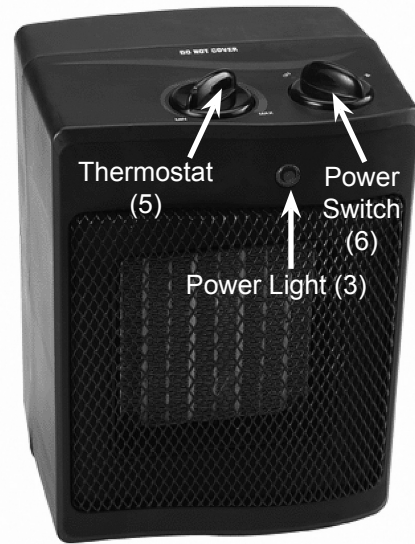


Figure 1

1. Make sure the Power Switch (6) is turned to Off.
2. Place Heater/Fan on a sturdy, dry surface, away from any combustible materials.
3. Plug into a 120V electrical outlet.
4. Turn the Power Switch to the LO (low) or HI (high) setting.
5. Adjust the Thermostat (5) to the desired setting between MIN (minimum) and MAX (maximum).
6. The Power Light (3) turns on when the Power Switch is set to LO or HI.
7. When finished using the Heater/Fan, turn the Power Switch to Off and unplug the unit.

Safety Feature: This unit is equipped with a thermal overload protection feature which shuts off the unit if the temperature rises above the highest setting. If the unit suddenly turns off, turn the Power Switch off, unplug the unit, wait for it to cool completely. Once the Heater has

cooled completely, to continue use, remove any objects that may be on or adjacent to the heater, plug the unit in, then turn on the Power Switch.

WARNING: Wait for the unit to cool down completely before storing. Storing or moving this heater while hot or plugged in could result in fire or severe burns.

INSPECTION AND MAINTENANCE

 WARNING TO PREVENT SERIOUS INJURY


FROM ACCIDENTAL OPERATION OR ELECTRIC SHOCK:

Before appliance inspection or maintenance, make sure the appliance's power switch is turned off, the cord is unplugged, and the unit has cooled completely.

TO PREVENT SERIOUS INJURY FROM APPLIANCE FAILURE:

Do not use damaged appliances. If abnormal noise, smoke or vibration is detected, have the problem corrected before further use. All maintenance and service should be performed by a qualified technician.

1. **BEFORE EACH USE**, inspect condition of the Heater/Fan. Check for loose screws, misalignment or binding of moving parts, cracked or broken parts, and any other condition that may affect its safe operation.
2. **AFTER USE**, occasionally use compressed air to blow dust out of vents. Wipe external surfaces with clean cloth.

 WARNING! If the supply cord of this Heater/Fan is damaged, it must be replaced only by a qualified service technician.

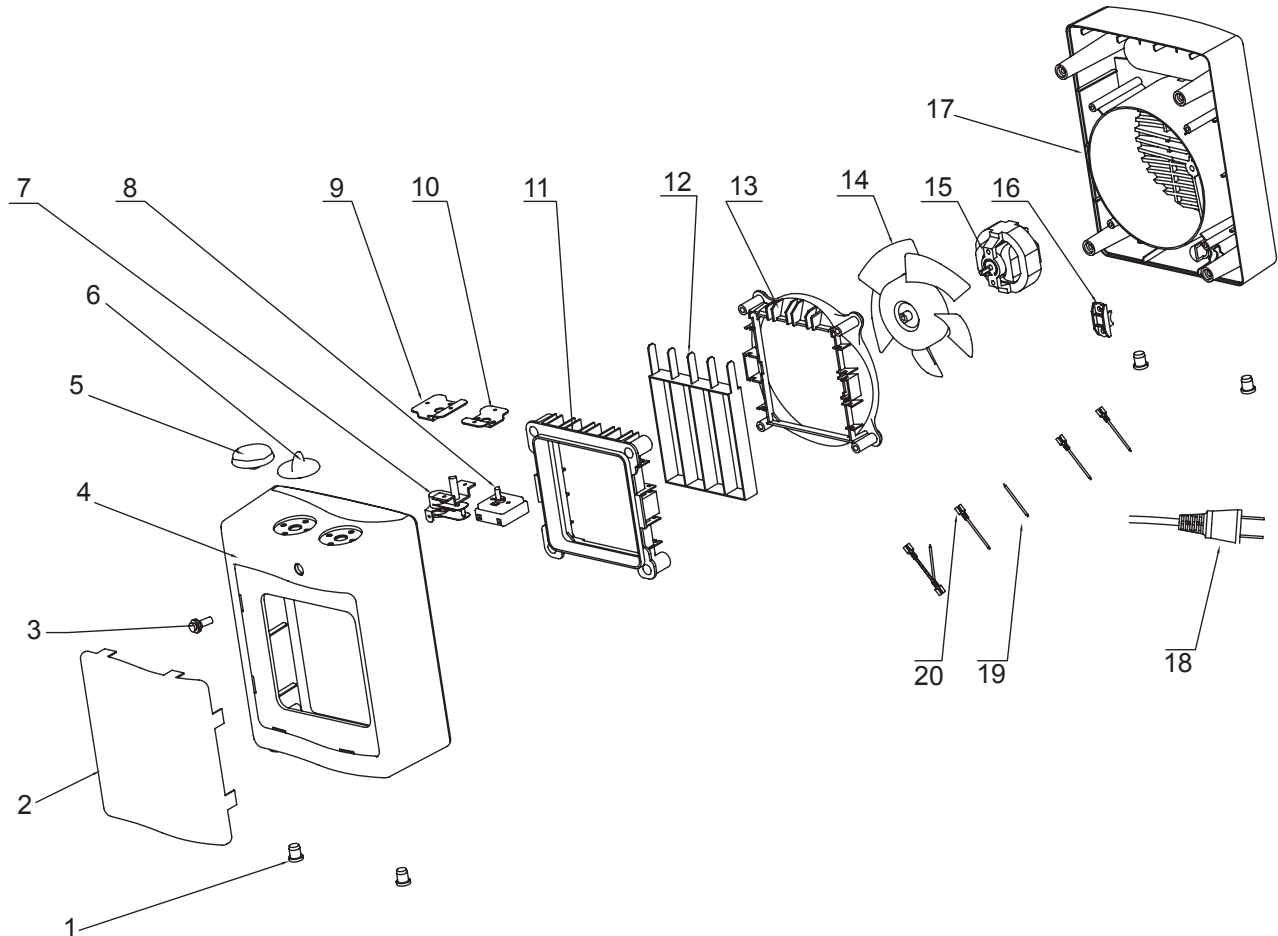
PLEASE READ THE FOLLOWING CAREFULLY

THE MANUFACTURER AND/OR DISTRIBUTOR HAS PROVIDED THE PARTS LIST AND ASSEMBLY DIAGRAM IN THIS MANUAL AS A REFERENCE TOOL ONLY. NEITHER THE MANUFACTURER OR DISTRIBUTOR MAKES ANY REPRESENTATION OR WARRANTY OF ANY KIND TO THE BUYER THAT HE OR SHE IS QUALIFIED TO MAKE ANY REPAIRS TO THE PRODUCT, OR THAT HE OR SHE IS QUALIFIED TO REPLACE ANY PARTS OF THE PRODUCT. IN FACT, THE MANUFACTURER AND/OR DISTRIBUTOR EXPRESSLY STATES THAT ALL REPAIRS AND PARTS REPLACEMENTS SHOULD BE UNDERTAKEN BY CERTIFIED AND LICENSED TECHNICIANS, AND NOT BY THE BUYER. THE BUYER ASSUMES ALL RISK AND LIABILITY ARISING OUT OF HIS OR HER REPAIRS TO THE ORIGINAL PRODUCT OR REPLACEMENT PARTS THERETO, OR ARISING OUT OF HIS OR HER INSTALLATION OF REPLACEMENT PARTS THERETO.

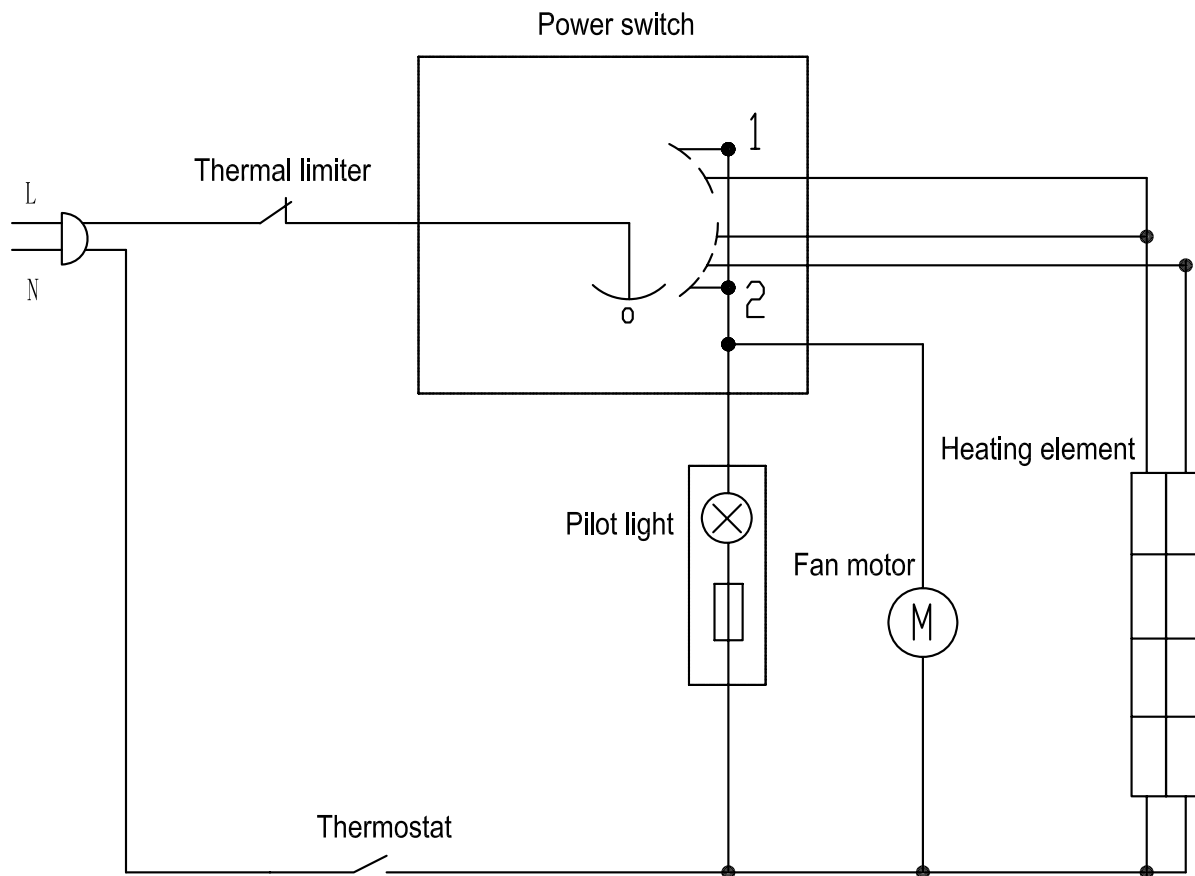
PARTS LIST & ASSEMBLY DIAGRAM

Part	Description	Qty
1	Rubber Feet	4
2	Grill	1
3	Power Light	1
4	Front Enclosure	1
5	Thermostat	1
6	Power Switch	1
7	Thermostat Unit	1
8	Power Switch Unit	1
9	Brace	1
10	Brace	1

Part	Description	Qty
11	Front Bracket	1
12	PTC Heating Assembly	1
13	Rear Bracket	1
14	Fan Blade	1
15	Fan Motor	1
16	Strain Relief	1
17	Rear Enclosure	1
18	Power Supply Cord and Plug	1
19	Wiring	5
20	Connector	5



CIRCUIT DIAGRAM



Record Product's Serial Number Here: _____

Note: If product has no serial number, record month and year of purchase instead.

Note: Some parts are listed and shown for illustration purposes only, and are not available individually as replacement parts.

Free Manuals Download Website

<http://myh66.com>

<http://usermanuals.us>

<http://www.somanuals.com>

<http://www.4manuals.cc>

<http://www.manual-lib.com>

<http://www.404manual.com>

<http://www.luxmanual.com>

<http://aubethermostatmanual.com>

Golf course search by state

<http://golfingnear.com>

Email search by domain

<http://emailbydomain.com>

Auto manuals search

<http://auto.somanuals.com>

TV manuals search

<http://tv.somanuals.com>