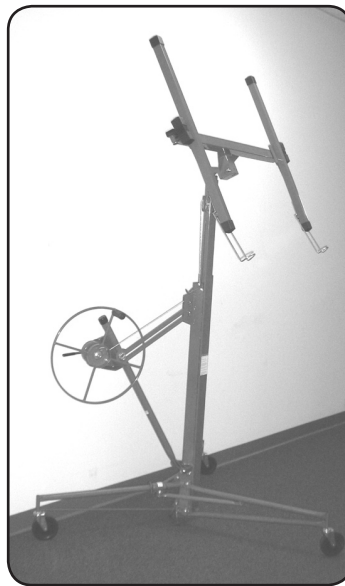




150 LB. DRYWALL PANEL HOIST

Model 95852

ASSEMBLY AND OPERATION INSTRUCTIONS



Due to continuing improvements, actual product may differ slightly from the product described herein.



3491 Mission Oaks Blvd., Camarillo, CA 93011

Visit our website at: <http://www.harborfreight.com>

**TO PREVENT SERIOUS INJURY, READ AND UNDERSTAND
ALL WARNINGS AND INSTRUCTIONS BEFORE USE.**

Copyright© 2007 by Harbor Freight Tools®. All rights reserved. No portion of this manual or any artwork contained herein may be reproduced in any shape or form without the express written consent of Harbor Freight Tools.

For technical questions or replacement parts, please call 1-800-444-3353.

SPECIFICATIONS

Capacity	150 lb.
Panel Size Capacity	4' x 16' Maximum
Maximum Lift Height	11 Feet
Net Weight	124 lb.

Save This Manual

You will need this manual for the safety warnings and precautions, assembly, operating, inspection, maintenance and cleaning procedures, parts list and assembly diagram. Keep your invoice with this manual. Write the invoice number on the inside of the front cover. Write the product's serial number in the back of the manual near the assembly diagram, or write month and year of purchase if product has no number. Keep this manual and invoice in a safe and dry place for future reference.

SAFETY RULES



READ AND UNDERSTAND ALL INSTRUCTIONS
Failure to follow all instructions listed below may result in
electric shock, fire, and/or serious injury.
SAVE THESE INSTRUCTIONS

WARNING: When using tool, basic safety precautions should always be followed to reduce the risk of personal injury and damage to equipment.

Read all instructions before using this tool!

1. **Keep work area clean.** Cluttered areas invite injuries.
2. **Observe work area conditions.** Do not use machines or tools in damp or wet locations. Don't expose to rain. Keep work area well lit.
3. **Keep children away.** Children must never be allowed in the work area. Do not let them handle machines, tools or let them climb on or play with the product.
4. **Store idle equipment.** When not in use, tools must be stored in a dry location to inhibit rust. Always lock up tools and keep out of reach of children.
5. **Use the right tool for the job.** Do not attempt to force a small tool or attachment to do the work of a larger industrial tool. There are certain applications for which this tool was designed. It will do the job better and more safely at the rate for which it was intended. Do not modify this tool and do not use this tool for a purpose for which it was not intended.
6. **Dress properly.** Do not wear loose clothing or jewelry as they can be caught in moving parts. Protective, electrically nonconductive clothes and nonskid footwear are recommended when working. Wear restrictive hair covering to contain long hair.

7. **Use eye protection.** Always wear ANSI-approved impact safety goggles.
8. **Do not overreach.** Keep proper footing and balance at all times. Do not reach over or across a Panel Lift while in operation. Do not walk or stand under Panel Lift while in operation.
9. **Maintain tools with care.** Keep tools clean for better and safer performance. Follow instructions for lubricating and changing accessories. The Brake Hub lining must be kept clean, dry, and free from oil and grease at all times.
10. **Stay alert.** Watch what you are doing, use common sense. Do not operate any tool when you are tired.
11. **Check for damaged parts.** Before using any tool, any part that appears damaged should be carefully checked to determine that it will operate properly and perform its intended function. Check for alignment and binding of moving parts; any broken parts or mounting fixtures; and any other condition that may affect proper operation. Any part that is damaged should be properly repaired or replaced by a qualified technician. Do not use the tool if any switch does not operate properly.
12. **Replacement parts and accessories.** When servicing, use only identical replacement parts. Use of any other parts will void the warranty. Only use accessories intended for use with this tool. Approved accessories are available from Harbor Freight Tools.
13. **Do not operate tool if under the influence of alcohol or drugs.** Read warning labels if taking prescription medicine to determine if your judgment or reflexes are impaired while taking drugs. If there is any doubt, do not operate the tool.
14. **Maintenance.** For your safety, service and maintenance should be performed regularly by a qualified technician.
15. **Stand clear of the Panel Lift when raising or lowering a panel.** Never reach through the winch wheel.
16. **Lift Capacity.** Never exceed the Lift's capacity of 150 lb. Check the manufacturer's documentation to determine the actual weight of panels before attempting to lift them.
17. **Never ride on the Panel Lift.** Never ride on the Panel Lift, and never have people or pets in the area while operating lift.
18. **Only use the Lift to raise/lower panels.** After raising the panel, immediately fix in place using the recommended type, number and pattern of nails, adhesive or screws. Do not use this lift to store panels.
19. **Place Panel Lift on correct surface.** Only use this Lift on a stable, level, clean and dry surface that is capable of sustaining the load.
20. **Stabilize the load.** Ensure that the load remains stable at all times. Do not move the load while it is on the Lift.
21. **Center load.** Center the load on the Panel Lift. Off-center loads can topple over causing property damage or injury.

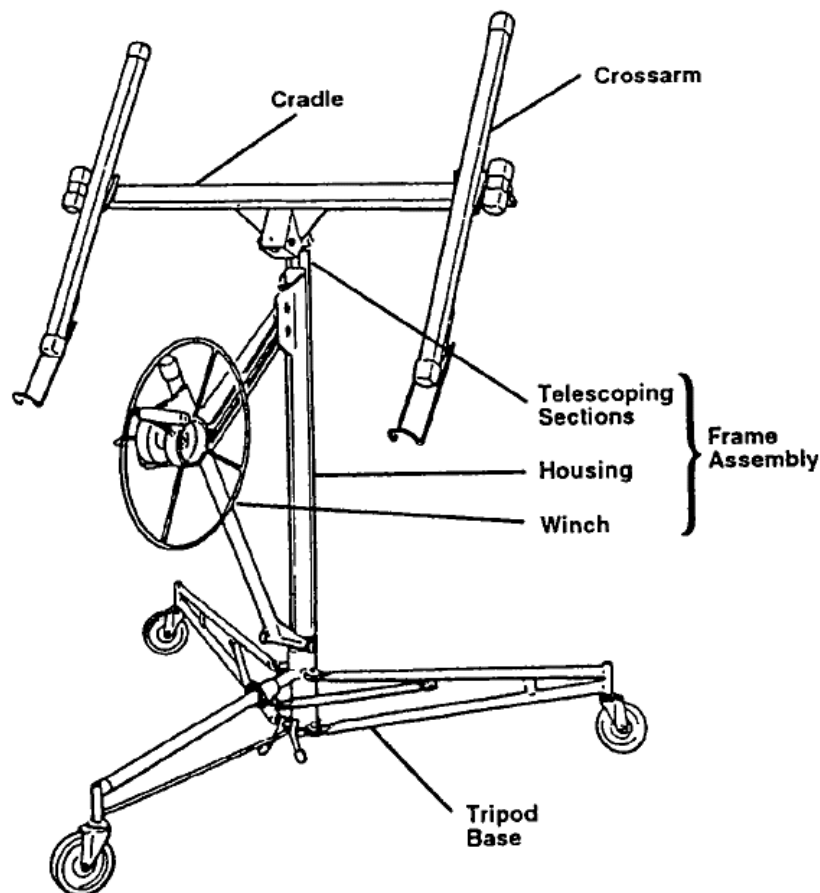
22. **Warning: The warnings, cautions, and instructions discussed in this instruction manual cannot cover all possible conditions and situations that may occur.** It must be understood by the operator that common sense and caution are factors which cannot be built into this product, but must be supplied by the operator.

UNPACKING

When unpacking, check to make sure the item is intact and undamaged. If any parts are missing or broken, please call Harbor Freight Tools at the number on the cover of this manual as soon as possible. Please refer to Parts List and Assembly Diagram on pages 14-15.

This tool has several sub assemblies which must be assembled before use. These are:

- * Tripod Base
- * Frame Assembly including Winch and Telescoping Lift sections
- * Cradle Assembly
- * Two Cradle Crossarm Assemblies

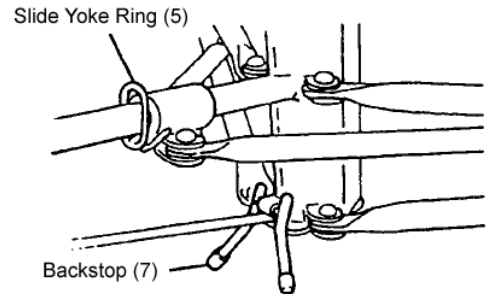


ASSEMBLY

Please note: It is recommended that two or more able workers assemble this product.

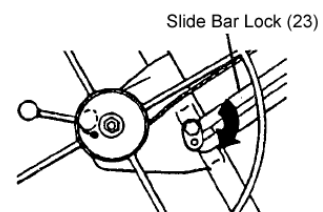
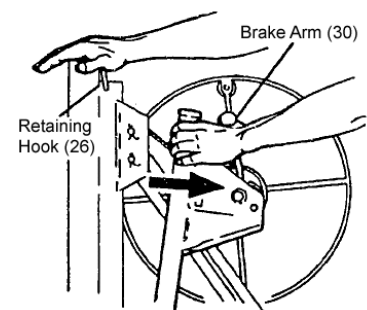
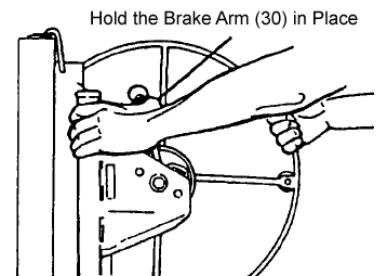
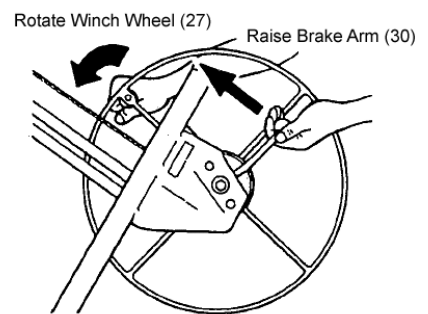
Setting up the Tripod Base

1. Place the Tripod Base Assembly (1) on the floor with the Casters (4) down.
2. Press down on the Slide Yoke Ring (5) while swinging the two Outer Legs (3) out and back into place. The Yoke Ring will snap into the hole in the bottom of the Center Leg (2).
3. To keep the Tripod in position during assembly, rotate the Backstop (7) down to lock onto the floor.



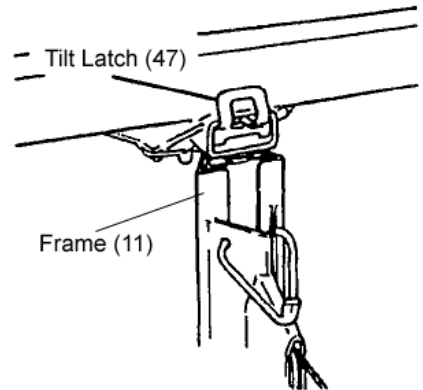
The Frame Assembly with Winch and Lift

1. Set the Frame Assembly (10) into the Tripod Base (1), fitting the end into the V-shaped opening. Insert the Frame Assembly about 1 inch to seat it in the base. Be sure the Frame Assembly is firmly seated before continuing.
2. Attach the Handle (34) to the Winch Wheel (27). Leave the Nut loose enough for the Handle to rotate when in use.
3. Move the Winch Assembly (20) into its working position.
 - a. Rotate the Winch Wheel (27) forward slightly while lifting the Brake Arm (30) to release the Brake.
 - b. Raise the Brake Arm all the way up with your left hand and hold in place by gripping the Winch Post
 - c. Place your right hand on top of the Frame. Continuing to hold the Brake Arm, pull the Winch Assembly toward you as far as it will go.
 - d. Release the Brake Arm and move the Retaining Hook (26) away to release the telescoping sections inside the Frame Housing (11).
4. Push the Winch Assembly slightly back toward the Frame to engage the Slide Bar Lock (23). Be sure that Slide Bar Lock is engaged before continuing.



Attach the Cradle to the Frame

1. Insert the Cradle Post, which is part of Cradle (42) into the opening in the top of the Frame (11).
2. Attach the Cradle to the Frame by rotating the Tilt Latch (47) over the stud on the Cradle.



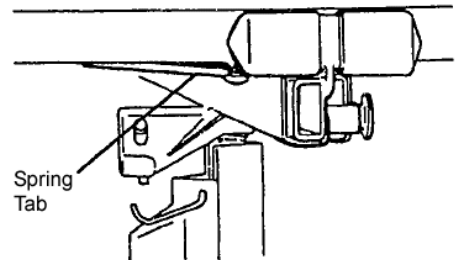
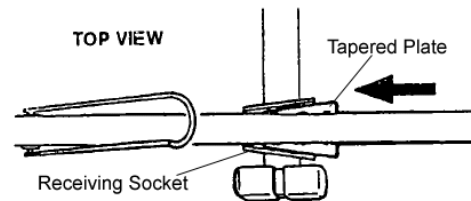
Attach the Crossarms to the Cradle

1. The Crossarms are interchangeable. Slide the tapered plates on both of the Crossarms (61) into the receiving sockets on the Cradle (42).
2. Press each Crossarm into its socket until the spring tab locks into place.

Testing the Assembly

With assembly completed, check the Panel Lift tool to be sure all fasteners are tight, the cable is in place and is undamaged, and the tool is safe to use.

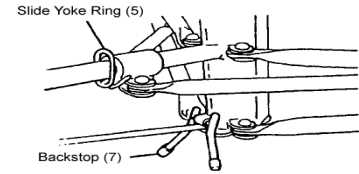
1. Check the Tripod Base to be sure it is firmly attached to the Frame. Be sure the legs are firmly extended and locked in place.
2. Check the Frame Assembly and Winch Assembly to be sure they are properly installed and functioning properly.
3. Check to be sure the Cradle is properly attached to the Frame.
4. Check to be sure the Crossarms are firmly attached to the Cradle.



CAUTION: Be sure the assembly is properly completed and checked for proper function before using this tool.

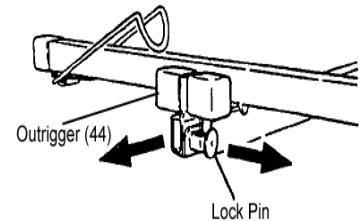
Set Up Legs and Extend the Backstop

1. Unlatch the two Outer Legs (3) by pressing down on the Slide Yoke Ring (5).
2. Rotate the Outer Legs into position.
3. Be sure the Slide Yoke Ring snaps into the hole on the underside of the Slide Tube, locking the Outer Legs into position.
4. Rotate the Backstop (7) downward. Be sure the Backstop wedges against the floor, holding the Lift in place.



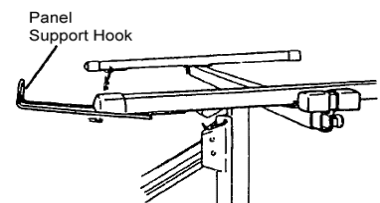
Extend the Outriggers

1. The Outriggers (44) can be extended to support the ends of panels. For safe use, both outriggers should be extended the same amount to support the panel equally. **Warning!** Failure to properly extend the outriggers could cause the Hoist to tip over, resulting in personal injury and/or property damage.
2. To extend an Outrigger, pull out the Lock Pin (43) to release it, and pull the Outrigger straight out the end of the Body Cradle (42).
3. The Lock Pin (43) will lock the Outrigger in three positions, while fully retracted, while extended 21" or fully extended at 33". Be sure the Lock Pin is engaged in one of these positions whenever using the Lift.
4. Extend both Outriggers equally, and ensure that both are locked in place using the Lock Pin.
5. To avoid damage, always retract the outriggers before transporting or storing the Lift.



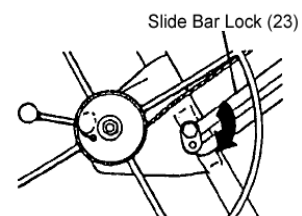
Open the Panel Support Hooks

1. Rotate the Panel Support Hooks (62) on the lower ends of the Crossarms (61) outward. These must be in place during use to safely support the panel.
2. Always rotate the Support Hooks into their closed position when transporting or storing the Lift, to avoid damaging the Hooks.



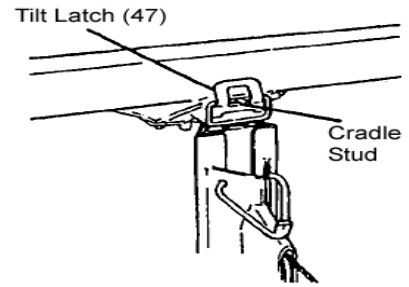
Slide Bar Lock

1. The Slide Bar Lock (23) holds the Winch Assembly (20) in its fully extended operating position.
2. Follow instructions on Page 5, item 4 of this manual for engaging and releasing the Slide Bar Lock.
3. NOTE: Do not tighten the nut on the Slide Bar Lock. You will not be able to fold up the unit for transport or storage.



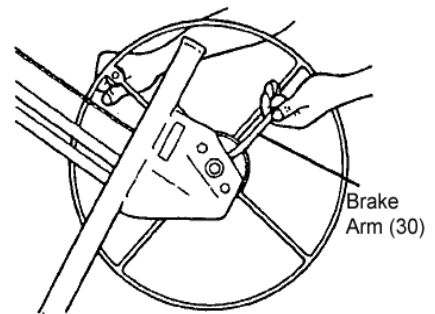
Tilt Latch

1. The Tilt Latch (47) allows the Cradle (41) to tilt to adjust the panel as needed for installation on sloped ceilings or walls.
2. To lock the Cradle in a level position, rotate the Latch up to engage the stud in the Cradle.
3. NOTE: When in the locked position, the cradle will tilt up to 10° side-to-side.



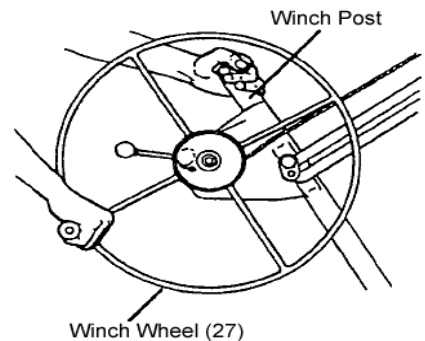
Brake Arm

1. The spring-loaded Brake Arm (30) will automatically hold the Cradle at any height you raise it.
2. To lower the Cradle, grasp the Winch Wheel (27) to prevent it rotating in an uncontrolled manner.
3. Raise the Brake Arm to release the Cradle, and lower it carefully with the Winch Wheel.



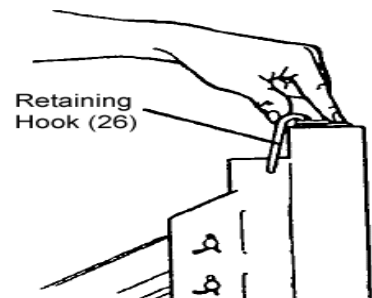
Winch Wheel, Handle and Post

1. The Winch Wheel (27) is used to raise and lower the Cradle, which holds the panel. This is done by means of a Cable (24) which wraps around a spool in the Winch Wheel Assembly.
2. If necessary, you can grasp the top of the Winch Post (21) for leverage when raising a panel.
3. **CAUTION:** Pay attention to the action of the Cable when operating this tool. Do not allow your hands, clothing, hair or jewelry to come near the Cable. If these become caught in the cable, you can be injured. Do not allow the cable to become tangled or jammed during operation.



Retaining Hook

1. Catch the Retaining Hook (26) on the end of the Frame housing (11) to prevent the telescoping portions of the tool from shifting during storage or transport.



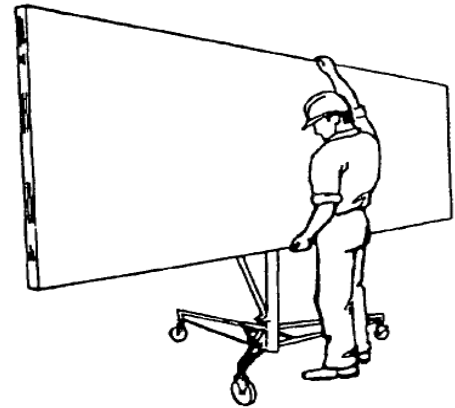
OPERATION

Safety Checks Before Operation

1. Carefully inspect the lift before operating the tool each time.
2. Inspect the tool for wear or damage. Pay special attention to any wear or damage to the cable.
3. Allow the lift to reach room temperature before operation.
4. Be sure the Winch Brake Hub (33) is clean and dry before operation.

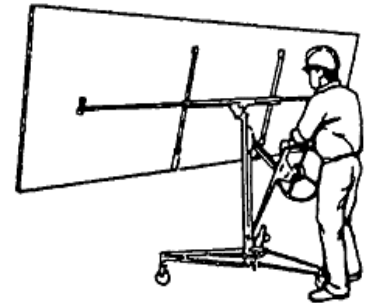
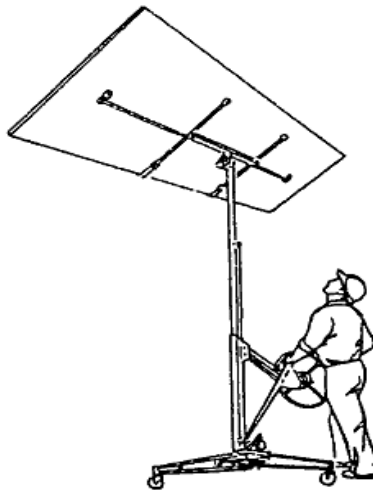
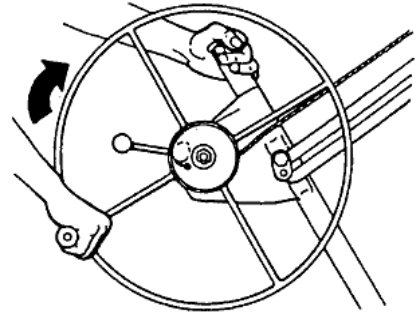
Loading a Drywall Panel

1. **Please note:** Drywall panels are very heavy; it is recommended that they be handled by two able workers. Set the Backstop (7) to prevent the Lift from moving or rolling while you are loading a panel on it.
2. Rotate the Cradle (41) so the Support Hooks (62) are on the opposite side of the tool from the Winch Wheel (27). Fold the Support Hooks down.
3. Extend the Outriggers (44) as needed to support the panel size you are working with
4. Release the Tilt Latch (47) and tilt the Cradle.
5. Place the drywall panel on the Cradle, with the face side of the panel facing the cradle. Carefully lean the panel on the Crossarms, being careful not to damage the edges of the panel.
6. If the panel will be installed on a flat ceiling, tilt the Cradle back to its level position and lock the Tilt latch. If the panel will be installed on a side wall or sloped ceiling, leave the Cradle tilted.
7. Raise the Backstop, and carefully roll the Lift near to the position where the panel will be installed.



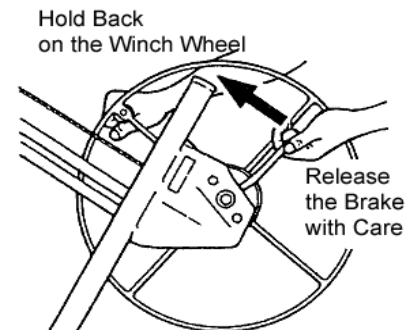
Raising the Panel

1. **CAUTION:** Always lower the Backstop (7) to prevent the Lift from rolling whenever raising a panel.
2. Crank the Winch Wheel (27) forward as shown to raise the panel to the desired level. You may wish to grasp the Winch Post (21) for leverage while doing this.
3. The Brake Hub (33) is spring loaded to hold the panel in place after cranking.



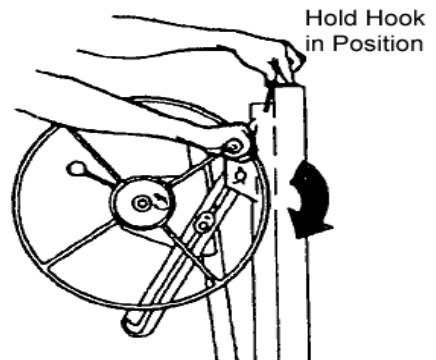
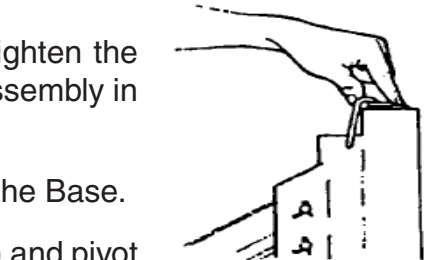
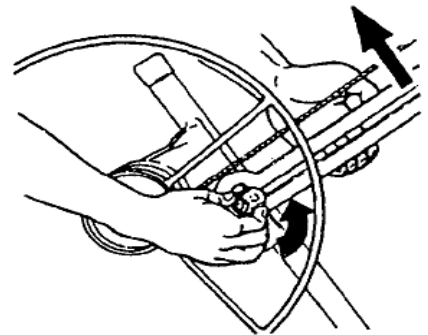
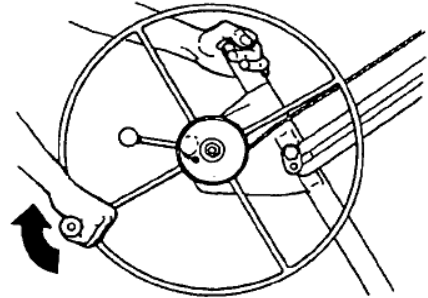
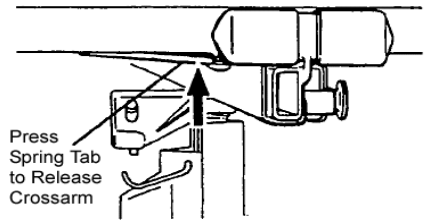
Lowering the Panel

1. Grasp the Winch Wheel (27) with your right hand to prevent it turning backwards when the brake is released.
2. While holding the Winch Wheel, release the Brake Arm (30) and allow the Winch Wheel to rotate backward at a controlled rate, to lower the panel.



DISASSEMBLY

1. Remove any panel which might be on the Lift. Release the Brake Arm (30) and crank the Winch Handle (34) to lower the Cradle (41) all the way down.
2. Slide the Cradle Outriggers (44) all the way in until they latch. Fold up the Panel Support Hooks (62).
3. Press the Spring Tab on the underside, and remove the crossarms by sliding them out of the tapered socket.
4. Unlock the Cradle Latch (47). Raise the Cradle to remove it from the Frame.
5. Rotate the Winch Wheel one full revolution forward to raise the inner telescoping section.
6. Unlock the Winch Assembly by lifting the Slide Bar (22) with one hand, and rotating the Slide Bar Lock counterclockwise with your other hand.
7. Hold the Slide Bar Lock (23) in this disengaged position, and press down on the telescoping sections of the frame with your other hand. The Winch Assembly (20) will rotate toward the Frame Housing (11).
8. Crank the telescoping sections all the way down. Swing up the Retaining Hook (26) and crank the telescoping sections back up until they are secured by the hook.
9. Hold the Retaining Hook in position while rotating the Winch Forward. The Winch Assembly will fold up against the Frame. When the Slide Bar contacts the Frame, tighten the cable by turning the wheel further to hold the Winch Assembly in this position.
10. Lift the Frame and Winch Assembly to remove it from the Base.
11. To fold the Base, press down on the Slide Yoke Ring (5) and pivot the Outer Legs (3) forward until they lock into place in closed position.



MAINTENANCE

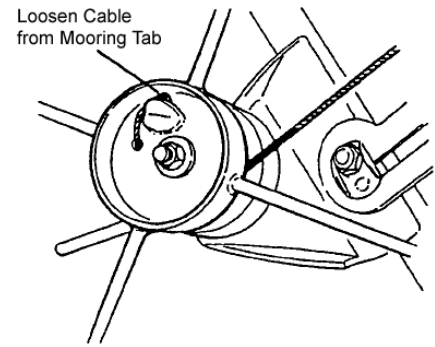
1. Inspect the Cable before beginning work each day. Replace the Cable immediately as soon as wear is detected. **CAUTION:** A cable breaking while under load can cause severe personal and property injury. Broken cable strands are sharp and can cause puncture injury.
2. Occasionally oil the Cable Pulleys and telescoping sections. **CAUTION:** Never allow oil or grease to contact the surface of the Winch Brake Hub (33). Keep the Winch Brake Hub clean and dry to prevent brake slipping or failure.
3. Occasionally oil the Caster Wheel (4) bearings.
4. If the telescoping sections do not slide freely, apply paraffin or candle wax to the sides as a lubricant.

CABLE SAFETY INFORMATION

1. Woven or twisted Steel Cables are also known as Wire Ropes.
2. Since the safe operation of this lift depends on safe maintenance of the steel cable, it is important that you carefully monitor and maintain the included cable. Replace the cable as soon as it appears to have any fault, defect or noticeable wear.
3. The American Society of Mechanical Engineers has promulgated standards for the safe use of Wire Rope in its standard numbered ASME B30 19-2000. This standard is available to the public, and we strongly suggest you become familiar with it.
4. The following does not replace the information found in ASME B30 19-2000, but paraphrases some of the important information contained therein.
 - a. Inspection should be made at least once every work day. Inspection should look for damage to the cable, such as crushing, kinking, broken strands, corrosion etc. Particular attention should be paid to wear and stress points, such as near pulleys, crimped ends, hooks, etc.
 - b. Cables should be taken out of service if discovered to be damaged, and must be replaced before resuming use of the affected tool.
 - c. The cable must be replaced with one of comparable size and material quality, suited to the purpose. The cable provided with this Lift is suited to the purpose, and any replacement must be at least to the original standard.
 - d. Cables must be maintained in a manner that prevents unneeded wear or damage, such as corrosion, kinking, crushing or cutting.

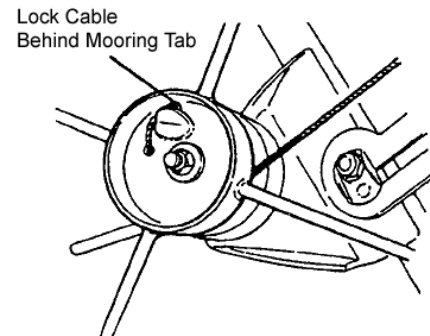
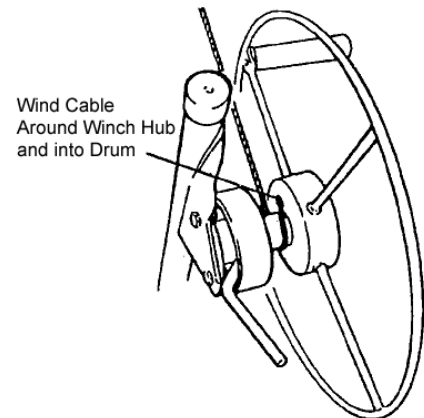
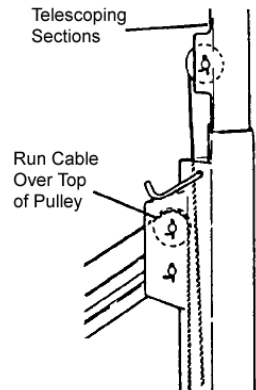
OPTIONAL EXTENSION ACCESSORY (NOT INCLUDED)

1. An optional Extension Accessory is available that increases the maximum lift height to 15', instead of the standard 11'.
2. The Accessory includes two 6' telescoping sections that replace the standard 4' sections in the frame. A longer Cable is included, which must be attached to the Winch Drum.



To Install the Extension Accessory

1. Release the cable tension, loosen the cable from the mooring tab on the side of the Winch. Pull the Cable out through the hole in the Winch Hub.
2. Provide some slack in the Cable, and with a large pliers, grasp the top of the two telescoping units (12, 13) and pull them straight out of the Frame.
3. Feed the crimped end of the longer Accessory Cable into the opening near the top of the Frame Housing. **IMPORTANT:** The Cable must be routed over the TOP of the pulley.
4. Pull the Cable through the opening, and feed the new Telescoping Sections down into the Frame.
5. Feed the free end of the new Cable under and around the Winch Hub, then through the hole in the Winch Drum.
6. Secure the crimped end of the Cable firmly behind the mooring tab inside the drum.
7. Rotate the Winch Wheel forward to take up the slack in the cable.



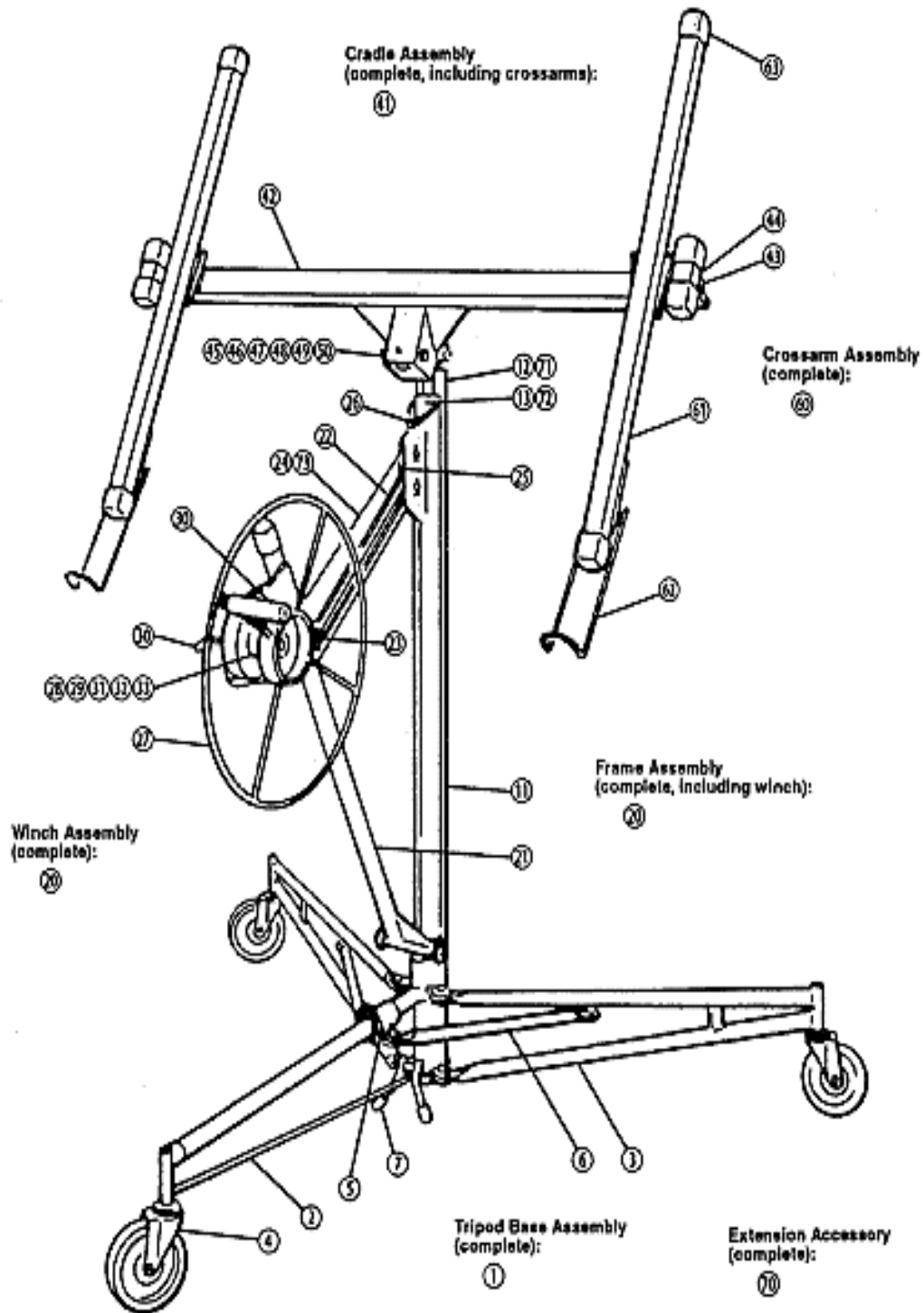
PARTS LIST

Part	Description	Q'ty	Part	Description	Q'ty
	Tripod Base Assembly		32	Brake Arm Tension Spring	1
1	Tripod Base Assembly, Complete	1	33	Brake Hub with Bolts	1
2	Center Leg with Fasteners	1	34	Winch Wheel Handle	1
3	Outer Legs with Fasteners	2			
4	Caster, 5 in.	3		Cradle Assembly	
5	Slide Yoke Ring	1	41	Complete Cradle Assembly	1
6	Tie Arm with Fasteners	2	42	Cradle Body	1
7	Backstop with Rubber Tips	1	43	Outrigger Lock Pin with Spring and Clip	2
			44	Outrigger with End Caps	2
	Frame Assembly		45	Complete Cradle Mounting Head Assembly	1
10	Complete Frame Assembly including Winch Assembly	1	46	Mounting Head Body	1
11	Frame Housing	1	47	Cradle Tilt Latch with Fasteners	1
12	Inner Telescoping Frame Section , 4 ft.	1	48	Tension Spring	1
13	Outer Telescoping Frame Section , 4 ft. with Pulley	1	49	Compression Spring	2
			50	Hinge Pin with Bolts	1
	Winch Assembly			Cradle Crossarms	
20	Complete Winch Assembly	1	60	Complete Crossarm Assembly	2
21	Winch Post with Pin and Fastener	1	61	Crossarm Body	2
22	Slide Bar with Axle and Cotter Pin	1	62	Panel Support Hook with Fasteners	2
23	Slide Bar Lock with Fasteners	1	63	Crossarm End Cap	2
24	Cable, 13-1/2'	1			
25	Cable Pulley with Axle and Cotter Pin	3		Extension Accessory (NOT INCLUDED)	
26	Retaining Hook	1	70	Complete Extension Accessory	1
27	Winch Wheel with Flange Bearings	1	71	Inner Telescoping Section, 6'	1
28	Bushing, 7/8"	1	72	Outer Telescoping Section, 6' with Pulley	1
29	Bolt, 1/2" x 5" with Nut and Washer	1	73	Cable, 17-1/2'	1
30	Brake Arm Assembly	1			
31	Brake Lining with Fasteners	1			

PLEASE READ THE FOLLOWING CAREFULLY

THE MANUFACTURER AND/OR DISTRIBUTOR HAS PROVIDED THE PARTS LIST AND ASSEMBLY DIAGRAM IN THIS MANUAL AS A REFERENCE TOOL ONLY. NEITHER THE MANUFACTURER OR DISTRIBUTOR MAKES ANY REPRESENTATION OR WARRANTY OF ANY KIND TO THE BUYER THAT HE OR SHE IS QUALIFIED TO MAKE ANY REPAIRS TO THE PRODUCT, OR THAT HE OR SHE IS QUALIFIED TO REPLACE ANY PARTS OF THE PRODUCT. IN FACT, THE MANUFACTURER AND/OR DISTRIBUTOR EXPRESSLY STATES THAT ALL REPAIRS AND PARTS REPLACEMENTS SHOULD BE UNDERTAKEN BY CERTIFIED AND LICENSED TECHNICIANS, AND NOT BY THE BUYER. THE BUYER ASSUMES ALL RISK AND LIABILITY ARISING OUT OF HIS OR HER REPAIRS TO THE ORIGINAL PRODUCT OR REPLACEMENT PARTS THERETO, OR ARISING OUT OF HIS OR HER INSTALLATION OF REPLACEMENT PARTS THERETO.

ASSEMBLY DIAGRAM



Note: Some parts are listed and shown for illustration purposes only, and are not available individually as replacement parts.

WARRANTY



HAUL-MASTER *LIMITED 90 DAY*
 **WARRANTY**

Harbor Freight Tools Co. makes every effort to assure that its products meet high quality and durability standards, and warrants to the original purchaser that this product is free from defects in materials and workmanship for the period of ninety days from the date of purchase. This warranty does not apply to damage due directly or indirectly, to misuse, abuse, negligence or accidents, repairs or alterations outside our facilities, or to lack of maintenance. We shall in no event be liable for death, injuries to persons or property, or for incidental, contingent, special or consequential damages arising from the use of our product. Some states do not allow the exclusion or limitation of incidental or consequential damages, so the above limitation of exclusion may not apply to you. THIS WARRANTY IS EXPRESSLY IN LIEU OF ALL OTHER WARRANTIES, EXPRESS OR IMPLIED, INCLUDING THE WARRANTIES OF MERCHANTABILITY AND FITNESS.

To take advantage of this warranty, the product or part must be returned to us with transportation charges prepaid. Proof of purchase date and an explanation of the complaint must accompany the merchandise. If our inspection verifies the defect, we will either repair or replace the product at our election or we may elect to refund the purchase price if we cannot readily and quickly provide you with a replacement. We will return repaired products at our expense, but if we determine there is no defect, or that the defect resulted from causes not within the scope of our warranty, then you must bear the cost of returning the product.

This warranty gives you specific legal rights and you may also have other rights which vary from state to state.

3491 Mission Oaks Blvd. • PO Box 6009 • Camarillo, CA 93011 • (800) 444-3353

Free Manuals Download Website

<http://myh66.com>

<http://usermanuals.us>

<http://www.somanuals.com>

<http://www.4manuals.cc>

<http://www.manual-lib.com>

<http://www.404manual.com>

<http://www.luxmanual.com>

<http://aubethermostatmanual.com>

Golf course search by state

<http://golfingnear.com>

Email search by domain

<http://emailbydomain.com>

Auto manuals search

<http://auto.somanuals.com>

TV manuals search

<http://tv.somanuals.com>