

CENTRAL MACHINERY®

6" BELT & 9" SANDER

Model 6852

ASSEMBLY AND OPERATING INSTRUCTIONS



Visit our website at: <http://www.harborfreight.com>



**Read this material before using this product.
Failure to do so can result in serious injury.
SAVE THIS MANUAL.**

Copyright© 2004 by Harbor Freight Tools®. All rights reserved. No portion of this manual or any artwork contained herein may be reproduced in any shape or form without the express written consent of Harbor Freight Tools. Diagrams within this manual may not be drawn proportionally. Due to continuing improvements, actual product may differ slightly from the product described herein. Tools required for assembly and service may not be included.

For technical questions or replacement parts, please call 1-800-444-3353.

Revised Manual 09k

PRODUCT SPECIFICATIONS

Electrical Requirements	1 HP, Ball Bearing Motor 110 Volt/60 Hz/12.8 Amps 3450 Rpm
Overall Height	40"
Table Surface Dimensions	6-1/2" x 12-3/4"
Table Tilt	0-50 Degrees
Work Table Options	For Sanding Disc or Sanding Belt Use
Belt Size	6" x 48"
Disc Size	9" Diameter, PSA Type
Belt Speed	1280 FPM
Disk Speed	1720 RPM
Weight	121 lb.

SAVE THIS MANUAL

You will need this manual for the safety warnings and precautions, assembly, operating, inspection, maintenance and cleaning procedures, parts list and assembly diagram. Keep your invoice with this manual. Write the invoice number on the inside of the front cover. Keep this manual and invoice in a safe and dry place for future reference.

GENERAL SAFETY WARNINGS AND PRECAUTIONS

1. **KEEP WORK AREA CLEAN AND DRY.** Cluttered, damp, or wet work areas invite injuries.
2. **KEEP CHILDREN AWAY FROM WORK AREA.** Do not allow children to handle this product.
3. **STORE IDLE EQUIPMENT.** When not in use, tools and equipment should be stored in a dry location to inhibit rust. Always lock up tools and equipment, and keep out of reach of children.
4. **DO NOT USE THIS PRODUCT IF UNDER THE INFLUENCE OF ALCOHOL OR DRUGS.** Read warning labels on prescriptions to determine if your judgement or reflexes are impaired while taking drugs. If there is any doubt, do not attempt to use this product.

5. **USE EYE, BREATHING, AND HAND PROTECTION.** Wear ANSI approved safety impact eyeglasses, safety impact full face shield, and a dust mask or respirator when using this product. ANSI approved safety impact eyeglasses, safety impact full face shield, dust masks and respirators are available from Harbor Freight Tools.
6. **DRESS SAFELY.** Do not wear loose clothing or jewelry, as they can become caught in moving parts. Wear a protective hair covering to prevent long hair from becoming caught in moving parts. If wearing a long-sleeve shirt, roll sleeves up above elbows.
7. **DO NOT OVERREACH.** Keep proper footing and balance at all times to prevent tripping, falling, back injury, etcetera.
8. **INDUSTRIAL APPLICATIONS MUST FOLLOW OSHA REQUIREMENTS.**
9. **STAY ALERT.** Watch what you are doing at all times. Use common sense. Do not use this product when you are tired or distracted from the job at hand.
10. **CHECK FOR DAMAGED PARTS.** Before using this product, carefully check that it will operate properly and perform its intended function. Check for damaged parts and any other conditions that may affect the operation of this product. Replace or repair damaged or worn parts immediately.
11. **REPLACEMENT PARTS AND ACCESSORIES:** When servicing, use only identical replacement parts. Only use accessories intended for use with this product. Approved accessories are available from Harbor Freight Tools.
12. **MAINTAIN THIS PRODUCT WITH CARE.** Keep this product clean and dry for better and safer performance.
13. **MAINTENANCE:** For your safety, service and maintenance should be performed regularly by a qualified technician.
14. **USE THE RIGHT TOOL FOR THE JOB.** Do not attempt to force a small tool or attachment to do the work of a larger industrial tool. There are certain applications for which this tool was designed. It will do the job better and more safely at the rate for which it was intended. Do not modify this tool, and do not use this tool for a purpose for which it was not intended.
15. **WARNING:** The warnings, precautions, and instructions discussed in this manual cannot cover all possible conditions and situations that may occur. The operator must understand that common sense and caution are factors, which cannot be built into this product, but must be supplied by the operator.

SPECIFIC PRODUCT WARNINGS AND PRECAUTIONS

1. **MAINTAIN A SAFE WORKING ENVIRONMENT.** Keep the work area well lit. Make sure there is adequate surrounding workspace. Always keep the work area free of obstructions, sawdust, grease, oil, trash, and other debris. Do not use the Belt/Disc Sander in areas near flammable chemicals, dusts, and vapors. Do not use the Belt/Disc Sander in a damp or wet location.
2. **GROUND THIS PRODUCT.** The electrical Power Cord (55) for this product is equipped with a grounded, 3-Prong Plug. Never remove the grounding prong or modify the Plug in any way. Do not use adapter plugs with this product. To comply with the National Electric Code, and to provide additional protection from the risk of electrical shock, this product should only be connected to a 110 Volt, 3-hole electrical outlet that is protected by a Ground Fault Circuit Interrupter (GFCI).
3. **DO NOT ABUSE THE POWER CORD.** Do not use the Power Cord (55) to pull its 3-Prong Plug from an electrical power outlet. Keep the Power Cord away from heat, oil, sharp edges, and moving parts. Route the Power Cord safely. Do not route the Power Cord where it can be walked on or tripped over. Replace a damaged Power Cord immediately.
4. **IF AN EXTENSION CORD (not included) IS USED, MAKE SURE TO USE ONLY UL APPROVED CORDS HAVING THE CORRECT GAUGE AND LENGTH. This product requires a 14 gauge extension cord.**
5. **REDUCE THE RISK OF ACCIDENTAL STARTING.** Make sure the Power Switch (53) is in the "OFF" position before plugging the Power Cord (55) into a grounded, 3-hole, 110 Volt, electrical outlet. **(See Figure B, and Assy. Diagram.)**
6. **PRIOR TO STARTING THE BELT/DISC SANDER, MAKE SURE ALL ADJUSTING KEYS AND WRENCHES ARE REMOVED FROM THE TOOL.**
7. **BEFORE SANDING, TURN ON THE BELT/DISC SANDER AND CHECK FOR EXCESSIVELY LOOSE SANDING BELT/DISC (2, 15) OR MACHINE VIBRATION.** If this is found, turn off the tool and correct the problem before using.
8. **ALWAYS KEEP HANDS AND FINGERS AS FAR AWAY AS POSSIBLE FROM THE MOVING PARTS OF THE BELT/DISC SANDER.**

9. **ALLOW THE SANDING BELT/DISC (2, 15) TO TURN UP TO FULL SPEED BEFORE FEEDING A WORKPIECE INTO THE SANDING BELT/DISC.** When turning off the Belt/Disc Sander, allow the Sanding Belt/Disc to slow down and stop on its own. Do not press against the Sanding Belt/Disc to stop it.
10. **FEED THE WORKPIECE INTO THE SANDING BELT/DISC (2, 15) *GRADUALLY*.** Do not force the machine to remove material faster than it was designed to cut.
11. **TO AVOID PERSONAL INJURY AND/OR DAMAGE TO THE MACHINE, ALWAYS ALLOW APPROXIMATELY 1/16" CLEARANCE BETWEEN THE SANDING BELT (2) AND THE BACK STOP (39).**
12. **ALWAYS ALLOW APPROXIMATELY 1/16" CLEARANCE BETWEEN THE SANDING DISC (15) AND THE TABLE (1).**
13. **WHEN SANDING A LARGE WORKPIECE, MAKE SURE ITS ENTIRE LENGTH IS PROPERLY SUPPORTED.** If necessary, use a roller stand (not included) with a larger workpiece.
14. **NEVER ATTEMPT TO REMOVE MATERIAL STUCK IN THE MOVING PARTS OF THE BELT/DISC SANDER WHILE IT IS PLUGGED IN AND RUNNING.**
15. **NEVER STAND ON THE BELT/DISC SANDER.** Serious injury could result if the Belt/Disc Sander is tipped or if the turning Sanding Belt/Disc (2, 15) are accidentally contacted.
16. **ALWAYS TURN THE POWER SWITCH (53) TO ITS "OFF" POSITION AND UNPLUG THE BELT/DISC SANDER FROM ITS ELECTRICAL SUPPLY SOURCE BEFORE PERFORMING ANY INSPECTION, ADJUSTMENTS, MAINTENANCE, OR CLEANING PROCEDURES.**
17. **WARNING:** Some dust created by power sanding, sawing, grinding, drilling, and other construction activities, contain chemicals known (to the State of California) to cause cancer, birth defects or other reproductive harm. Some examples of these chemicals are: lead from lead-based paints, and arsenic and chromium from chemically treated lumber. Your risk from these exposures varies depending on how often you do this type of work. To reduce your exposure to these chemicals: work in a well ventilated area, and work with approved safety equipment, such as those dust masks that are specially designed to filter out microscopic particles.
(California Health & Safety Code § 25249.5, *et seq.*)

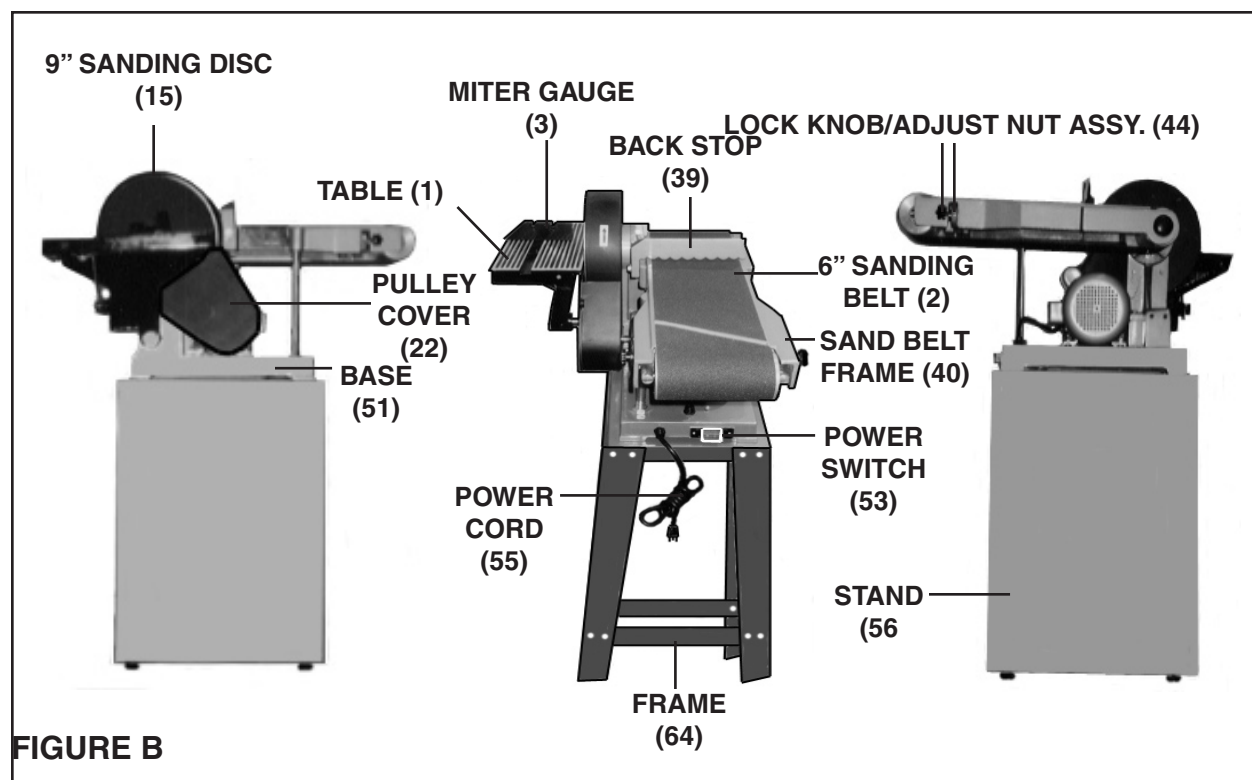
18. **WARNING:** People with pacemakers should consult their physician(s) before using this product. Operation of electrical equipment in close proximity to a heart pacemaker could cause interference to or failure of the pacemaker.

UNPACKING

When unpacking, check to make sure all the parts shown on the **Parts List on page 16** are included. If any parts are missing or broken, please call Harbor Freight Tools at the number shown on the cover of this manual as soon as possible.

PRODUCT FEATURES

NOTE: Prior to assembling and operating the Belt/Disc Sander, it is important to familiarize yourself with all of the machine's major components. Failure to do so may result in personal injury and/or damage to the machine and workpiece being sanded. (See Figure B, and refer to the *“Operating Instructions”* section in this manual.)

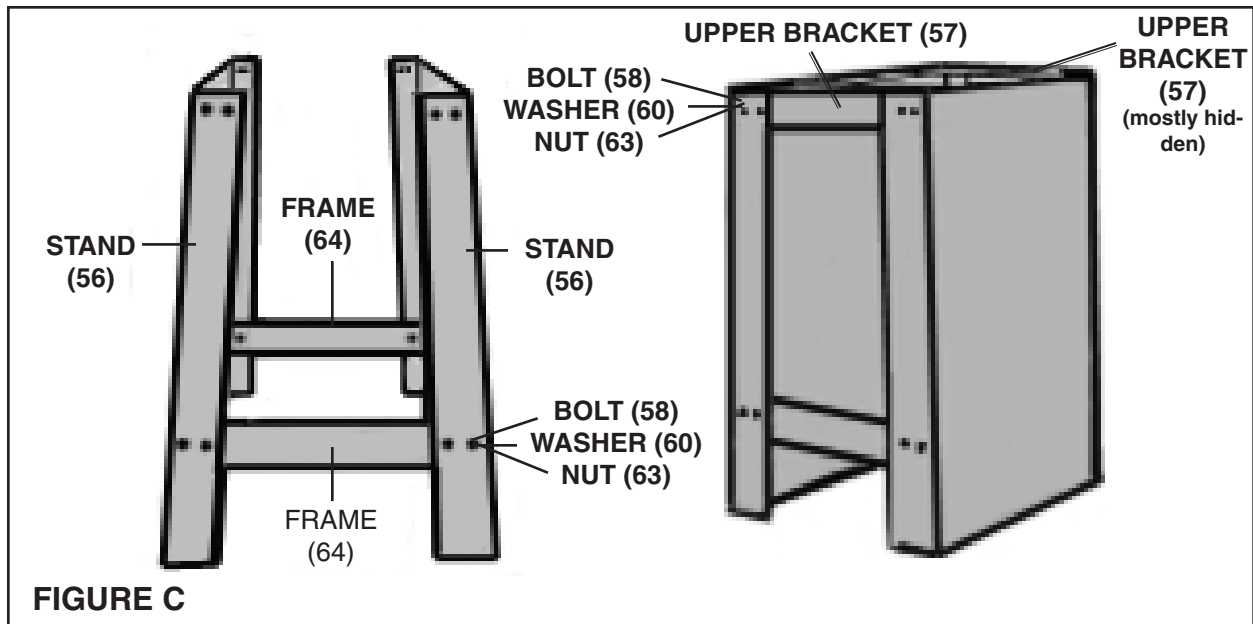


ASSEMBLY INSTRUCTIONS

NOTE: For additional references to the parts listed below, refer to the **Assembly Diagram on page 17.**

To Assemble The Stands, Frames, And Upper Bracket:

1. With assistance, position the two Stands (56) upright on the floor and parallel to one another. **(See Figure C.)**
2. Place the end of one Frame (64) on the **inside** edge of one Stand (56), and align the two mounting holes on the *end* of the Frame with the two *lower* mounting holes on the Stand. **(See Figure C.)**
3. Secure the Frame (64) to the Stand (56), using two Bolts (58), two Washers (60), and two Nuts (63). **(See Figure C.)**
4. Repeat Steps #1, #2, and #3 to connect the *other end* of the Frame to the remaining Stand. **(See Figure C.)**
5. To connect the *remaining* Frame (64) to the two Stands (56), follow Steps #1, #2, #3, and #4). **(See Figure C.)**

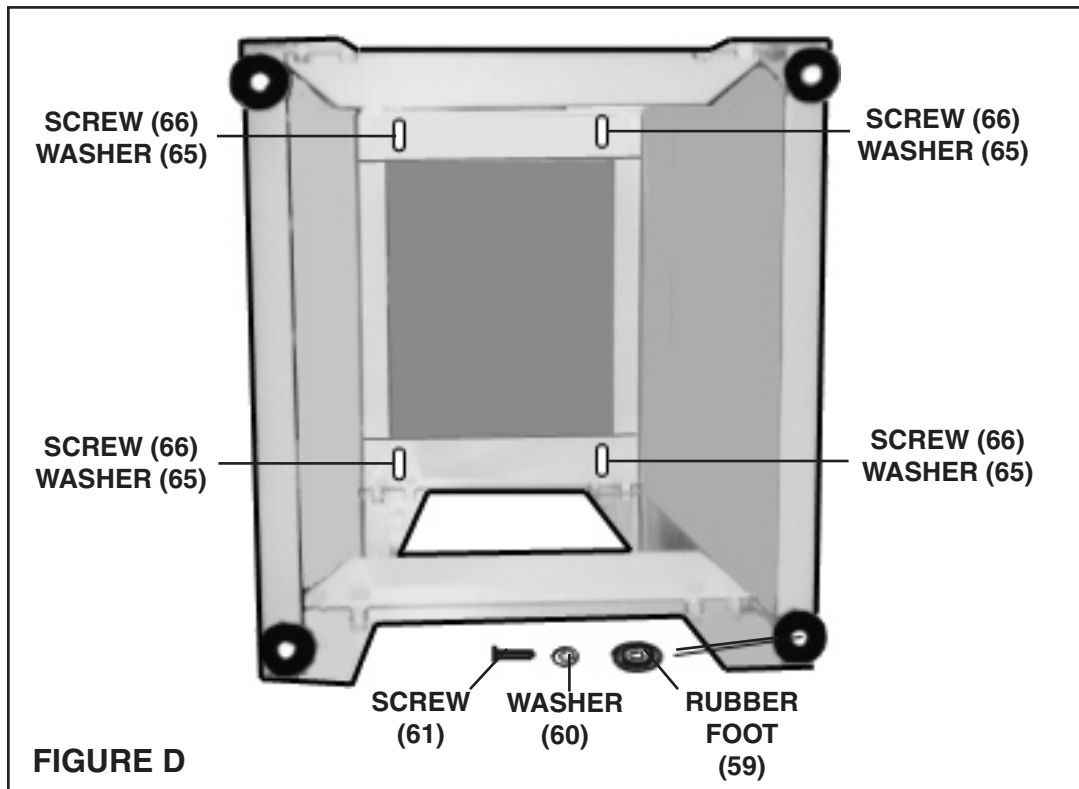


6. Place both Upper Brackets (57) on the top edges of the two Stands (56), and align the *eight* mounting holes (two on each end) of the Brackets with the *eight* mounting holes (two on each end) of the Stands. **(See Figure C.)**
7. Secure both Upper Brackets (57) to the two Stands (56), using eight Bolts (58), Washers (60), and Nuts (63). **(See Figure C.)**

8. With assistance, carefully tip the assembled Stand on its side. Attach a Rubber Foot (59) to each of the Stand's four corners, using four Rubber Feet, four Washers (60), and four Screws (61). Then, place the Stand back in its upright position. **(See Figure D.)**

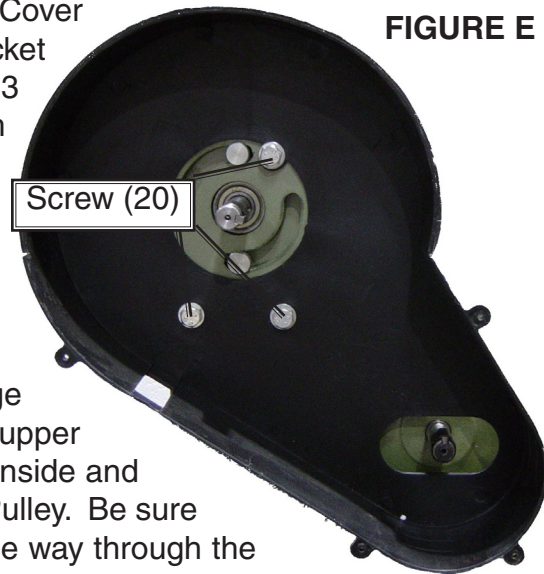
To Attach The Base To The Upper Bracket:

1. With assistance, place the Base (51) of the Belt/Disc Sander on top of the Upper Brackets (57). Align the four *threaded* mounting holes on the Base with the four mounting holes on the Upper Brackets. **(See Figures B, and D.)**
2. From *underneath* the Stand, secure the Base (51) to the Upper Brackets (57) by inserting four Screws (66), with four Washers (65), *upward* through the Stand's four mounting holes. Then, firmly tighten the four Screws into the four threaded mounting holes on the Base. **(See Figure D.)**

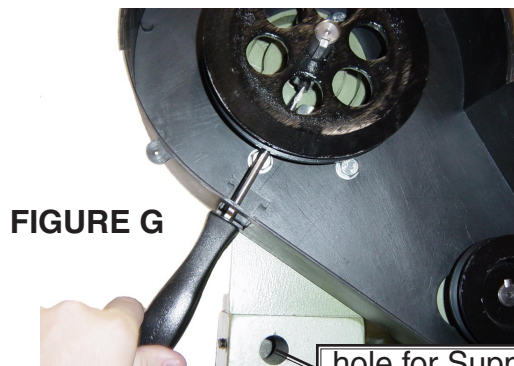


To Assemble The Pulleys, Sanding Disc Plate, and Table:

1. Remove the 4 screws from the cover on the Pulley Cover (22) and set aside.
2. Line up the three bolt holes on the Pulley Cover (22) with the threaded holes in the Bracket (26). Place a Washer (21) over each of 3 Screws (20). Insert a Screw (20) into each hole and tighten. **(See Figure E.)**



3. This item is packed with tape on the shafts to keep the keys in place. Remove the tape from the upper shaft, being careful to not lose the key.
4. Loosen the Set Screw (14) on the Large Pulley (19). Put the Large Pulley on the upper shaft, with the smaller step on the pulley inside and with the key lined up with the slot on the Pulley. Be sure the key stays in the correct position, all the way through the pulley.
5. Repeat steps 3 and 4 putting the Small Pulley (52) on the lower shaft. **(See Figure F.)**



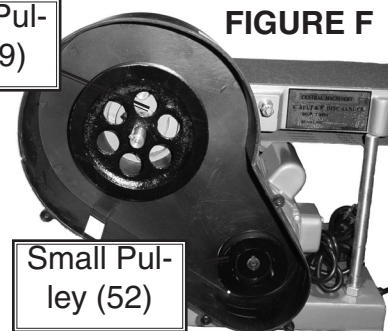
6. Carefully align both pulleys and tighten. Use a flat head screwdriver through the slot in the Pulley Cover (22) to tighten the Set Screw (14) on the Large Pulley (19). **(See Figure G.)** Use a hex key (not included) to tighten the Set Screw (14) on the Small Pulley (52).

7. Loosen the 4 Screws (48) that hold the Motor (30) just enough to let the Motor move. Move the Motor towards the Large Pulley enough to let the Belt (17) slip on over both Pulleys. Move the Motor away from the

Large Pulley until the Belt is tight enough so that, if pushed, it doesn't move more than $\frac{1}{2}$ ". Hold the Motor in place while you retighten the 4 Screws (48).

**Large Pul-
ley (19)**

8. Put the Sanding Disc Plate (16) on the end of the shaft so that it's flush with the end of the shaft. Tighten its set screw, once again using the slot in the Pulley Cover (22). **(See Figure G.)**
9. Check to make sure the Sanding Disc Plate (16) is free of dirt, oil, and other debris.



10. Remove the paper backing on the adhesive Sanding Disc (15), and stick the Sanding Disc firmly and evenly onto the Sanding Disc Plate (16). **(See Figure I, page 11.)**
11. Replace cover of the Pulley Cover (22) and tighten the 4 screws. Verify that the pulley cover does not contact the Sanding Disc (15). If it does, you need to adjust the Sanding Disc Plate (16).

NOTE: When positioning the Table (1), make sure there is more than $\frac{1}{16}$ " clearance but less than $\frac{1}{8}$ " clearance between the Table and the Sanding Disc (15).

12. Insert the round end of the Support Bar (18) into the hole on the side of the Base (18). **(See Figure G.)** Put the Table Support Bracket (9) over the end of the Support Bar, with the tapered side of the Bracket facing the Sanding Disc (15) and also the flat side of the Bar lined up with the Set Screw. Tighten the Set Screw (14) on the Table Support Bracket. Set the Table Support Bracket as shown in **Figure J, page 12.** Tighten the two Set Screws (14) on the side of the Base to secure the bar.

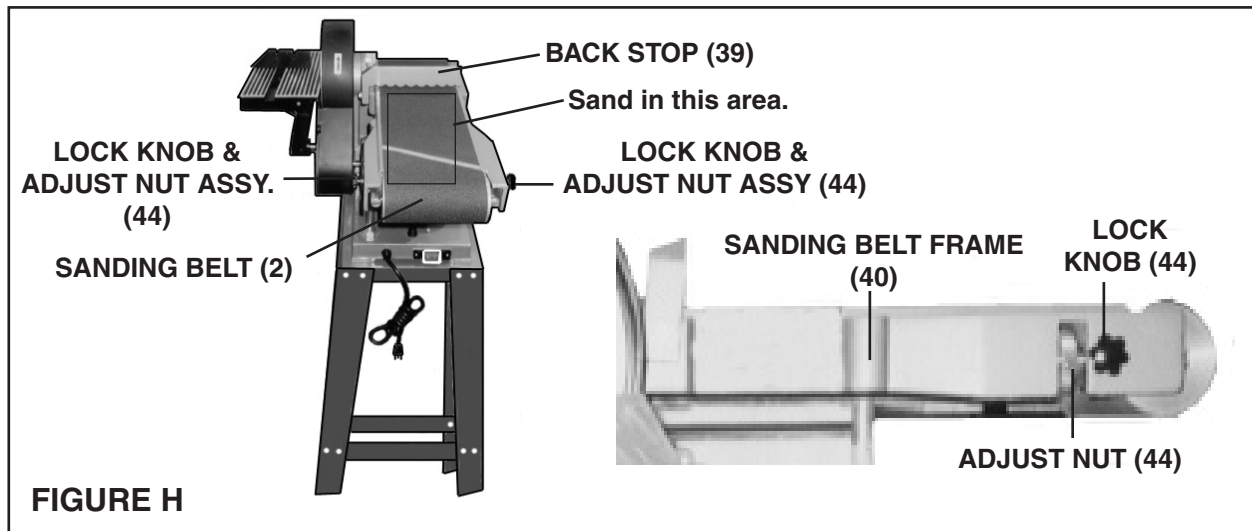
OPERATING INSTRUCTIONS

To Install A Sanding Belt:

1. **CAUTION:** Always turn the Power Switch (53) to its "OFF" position and unplug the Power Cord (55) from its 110 volt electrical outlet before performing this procedure. **(See Figure B.)**
2. Loosen the two Lock Knobs (44) in order to unlock the two Adjust Nuts (44). **(See Figure H, next page.)**
3. Turn the two Adjust Nuts (44) *counterclockwise* to allow the Sanding Belt (2) to be inserted onto the Sand Belt Frame (40). **(See Figure H.)**
4. Slide the Sanding Belt (2) fully and evenly onto the Sanding Belt Frame (40). Then, turn the two Adjust Nuts *clockwise* to tighten the tension on the Sanding Belt. **(See Figure H.)**
5. Retighten the two Lock Knobs (44), and lock the two Adjust Nuts (44) in place. **(See Figure H.)**
6. Plug the Power Cord (55) into a 110 volt electrical outlet, and turn the Power Switch (53) to its "ON" position. **(See Figure B.)**
7. Allow sufficient time for the Sanding Belt (2) to turn at full speed. **(See Figure H.)**
8. **NOTE:** If the Sanding Belt (2) appears to be too *loose* on the Sand Belt Frame (40),

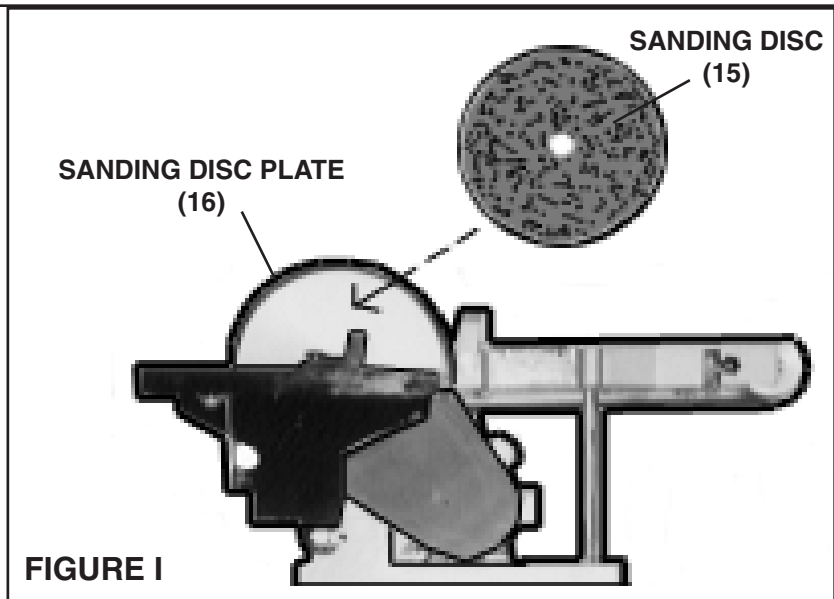
turn off the machine and unplug it from its electrical outlet. Then repeat Steps #2 through #7 to further increase the tension on the Sanding Belt. (See Figures B and H.)

- Attach the Back Stop (39) to the side of the Sanding Belt Frame (40), as shown in Figure H.



To Install A Sanding Disc:

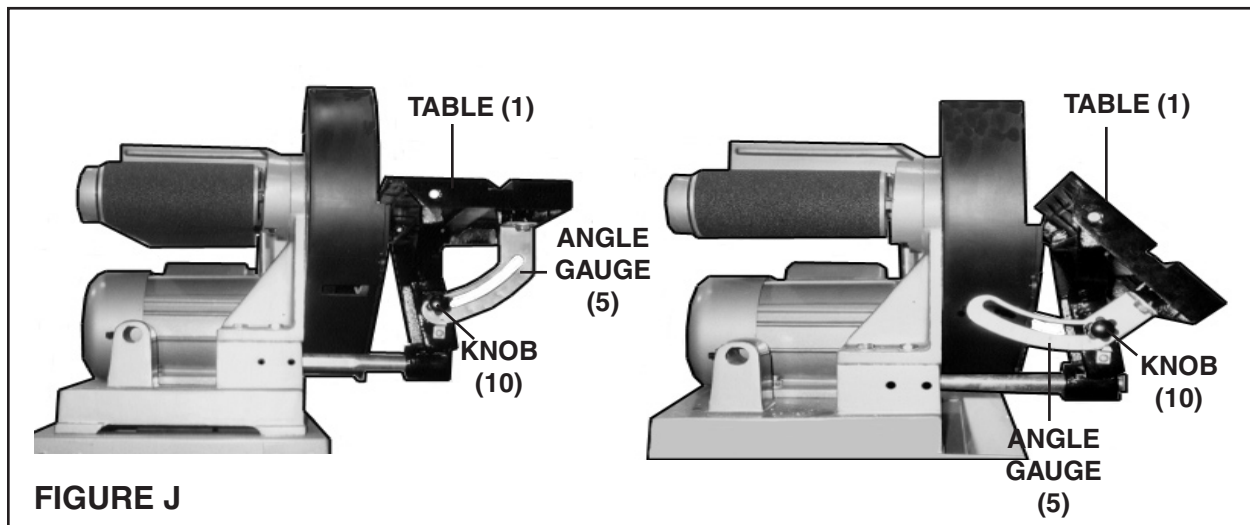
- CAUTION:** Always turn the Power Switch (53) to its "OFF" position and unplug the Power Cord (55) from its 110 volt electrical outlet before performing this procedure. (See Figure B.)
- Swing the Table Support Bracket (9) out of the way and remove the cover from the Pulley Cover (22) as explained on page 9. Check to make sure the Sanding Disc Plate (16) is free of dirt, oil, and other debris. (See Figure I.)



- Remove the paper backing on the adhesive Sanding Disc (15), and stick the Sanding Disc firmly and evenly onto the Sanding Disc Plate (16). Restore the Table Support Bracket and Pulley Cover to their original positions. (See Figure I.)

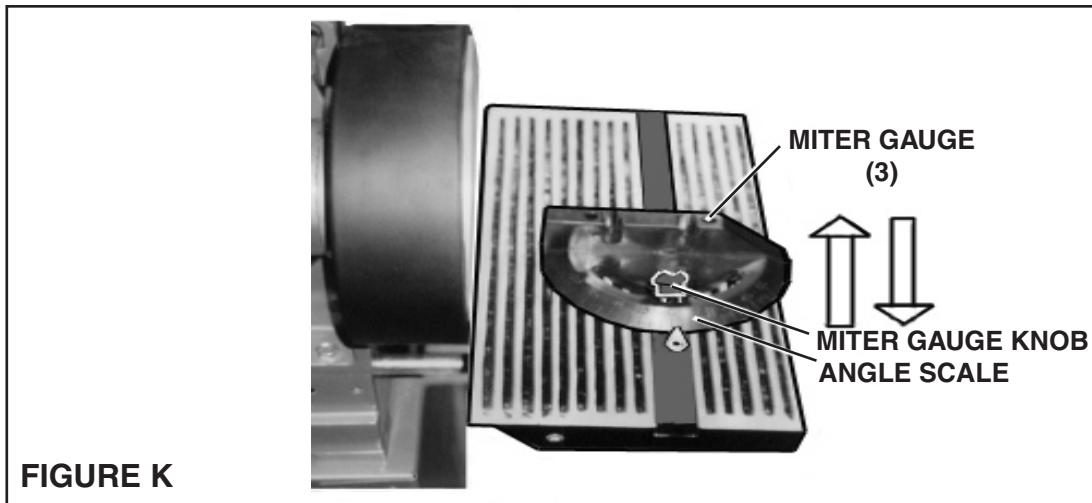
To Adjust The Angle Of The Table:

1. The angle of the Table (1) may be adjusted from **0 to 45 Degrees**.
(See Figure J.)
2. To adjust the angle of the Table (1), slightly loosen the Knob (10).
(See Figure J.)
3. Observe the Angle Gauge (5). Then raise or lower the Table until the desired angle of the Table is shown on the Angle Gauge. **(See Figure J.)**
4. Once the desired angle of the Table (1) is obtained, retighten the Knob (10).
(See Figure J.)



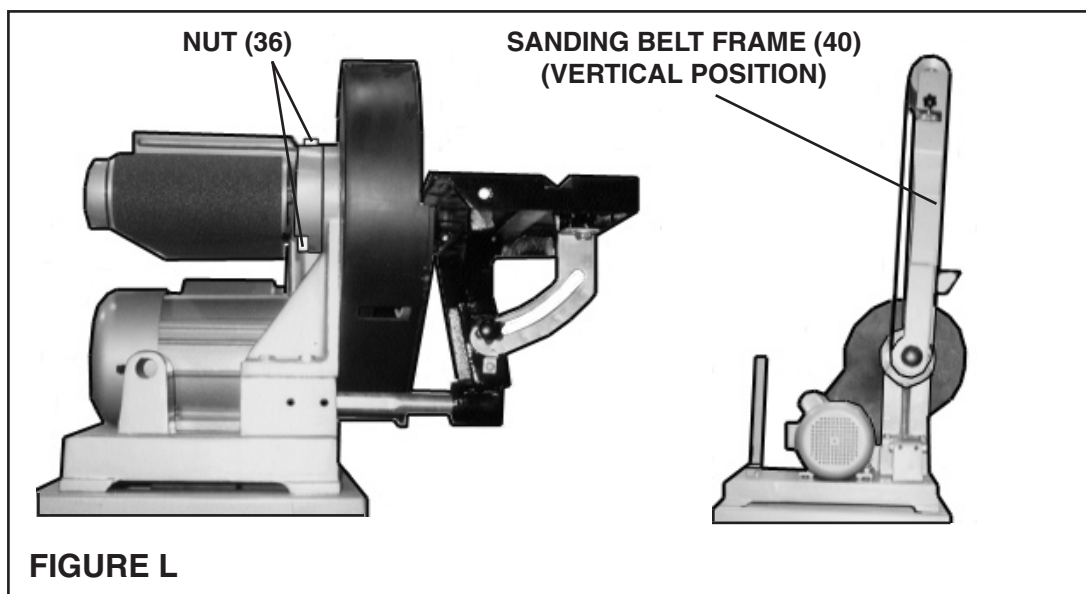
To Adjust The Angle Of The Miter Gauge:

1. The angle of the Miter Gauge (3) may be adjusted to the right 0 to 45 Degrees and to the left 0 to 45 Degrees. **(See Figure K, next page.)**
2. To adjust the angle of the Miter Gauge (3), slightly loosen the Miter Gauge Knob. **(See Figure K.)**
3. Observe the Angle Scale on the Miter Gauge (3). Then move the Miter Gauge Body to the right or left until the desired angle of the Miter Gauge is shown on the Angle Scale. **(See Figure K.)**
4. Once the desired angle of the Miter Gauge (3) is obtained, retighten the Miter Gauge Knob. **(See Figure K.)**



To Adjust The Sand Belt Frame For Vertical Sanding:

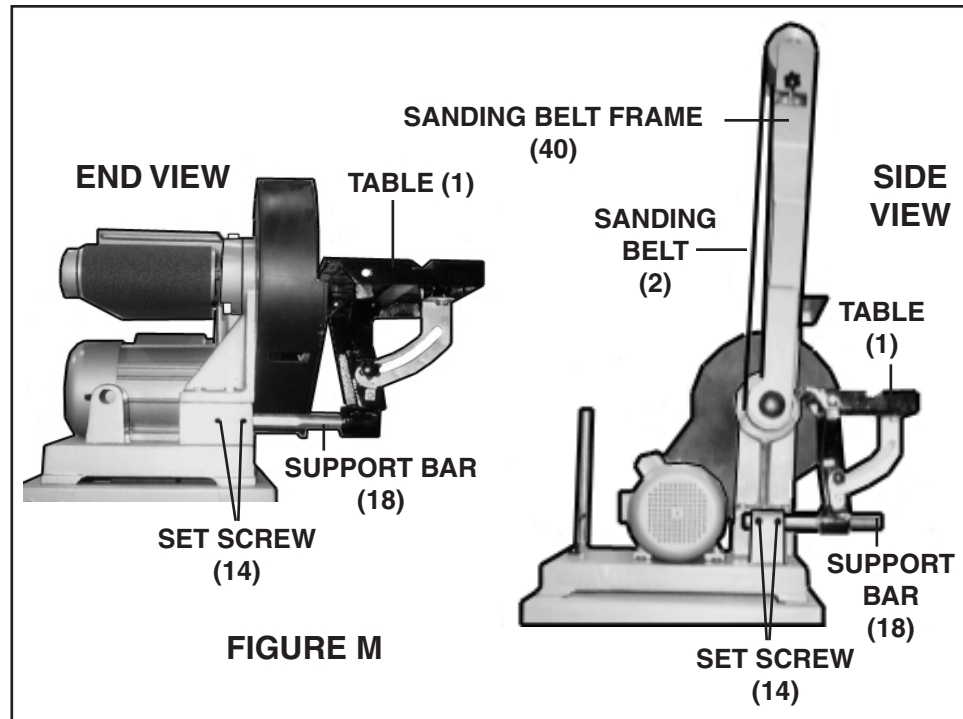
Loosen the two Nuts (36) on the Sanding Belt Frame (40), and with assistance raise the Sanding Belt Frame to its full *vertical* position. Then, firmly retighten the two Nuts to lock the Sanding Belt Frame in place. (See Figure L.)



To Adjust The Position Of The Table:

1. When the Sanding Belt Frame (40) is in its **vertical** position, the Table (1) should be repositioned to the *front* of the Sanding Belt Frame. (See Figure M, next page.)
2. To reposition the Table (1), loosen the two Set Screws (14) and remove the Table, including the Support Bar (18). (See Figure M.)
3. Insert the Support Bar into the Mounting Hole, and tighten the *other* two Set Screws (14). (See Figure M.)

4. **NOTE:** When repositioning the Table (1), make sure there is more than $\frac{1}{16}$ " clearance but less than $\frac{1}{8}$ " clearance between the Table and the Sanding Belt Frame (40). (See Figure M.)



To Perform Horizontal Sanding With The Sanding Belt:

1. **CAUTION:** Before each use, inspect the condition of the Sanding Belt (2). Look for tearing, excessive wear, or other damage to the Sanding Belt. Never use a Sanding Belt that is damaged. When replacing, never use an inexpensive, low quality Sanding Belt.
2. Plug the Power Cord (55) into a grounded, 110 Volt electrical outlet. (See Figure B.)
3. Turn the Power Switch (53) to its "ON" position, and allow the Sanding Belt (2) to come to **full speed** for approximately ten seconds before feeding the workpiece into the Sanding Belt. (See Figure B.)
4. Hold the workpiece **firmly** with both hands, and carefully set it flat and level upon the Sanding Belt (2) and against the Back Stop (39). (See Figure B.)
5. Apply **moderate** downward pressure on the workpiece, allowing the Sanding Belt (2) to cut without being forced.
6. Once the sanding procedure is completed, remove the workpiece from the Sanding Belt (2), turn the Power Switch (53) to its "OFF" position, and unplug the Power Cord (55) from its electrical outlet. (See Figure B.)

To Perform Horizontal Sanding With The Sanding Disc:

1. **CAUTION:** Before each use, inspect the condition of the Sanding Disc (15). Look for tearing, excessive wear, or other damage to the Sanding Disc. Never use a Sanding Disc that is damaged. When replacing, never use an inexpensive, low quality Sanding Disc.
2. **NOTE:** The Sanding Disc (15) is typically used for *smaller* workpieces.
3. Plug the Power Cord (55) into a grounded, 110 Volt electrical outlet. **(See Figure B.)**
4. Turn the Power Switch (53) to its “ON” position, and allow the Sanding Disc (15) to come to **full speed** for approximately ten seconds before feeding the workpiece into the Sanding Disc. **(See Figure B.)**
5. Hold the workpiece **firmly** with both hands, and carefully set it flat and level upon the Table (1). **(See Figure B.)**
6. Apply **moderate** inward pressure on the workpiece, allowing the Sanding Disc (15) to cut without being forced.
7. Once the sanding procedure is completed, remove the workpiece from the Sanding Disc (15), turn the Power Switch (53) to its “OFF” position, and unplug the Power Cord (55) from its electrical outlet. **(See Figure B.)**

To Perform Vertical Sanding With The Sanding Belt:

1. Adjust the Sand Belt Frame (40) and Table (1) for a *vertical* sanding procedure. **(See Figures L, and M.)**
2. Plug the Power Cord (55) into a grounded, 110 Volt electrical outlet. **(See Figure B.)**
3. Turn the Power Switch (53) to its “ON” position, and allow the Sanding Belt (2) to come to **full speed** for approximately ten seconds before feeding the workpiece into the Sanding Belt. **(See Figure M.)**
4. Hold the workpiece **firmly** with both hands, and carefully set it flat and level upon the Table (1). **(See Figure M.)**
5. Apply **moderate** inward pressure on the workpiece, allowing the Sanding Belt (2) to cut without being forced. **(See Figure M.)**

6. Once the sanding procedure is completed, remove the workpiece from the Sanding Belt (2), turn the Power Switch (53) to its "OFF" position, and unplug the Power Cord (55) from its electrical outlet. **(See Figure B.)**

INSPECTION, MAINTENANCE, AND CLEANING

1. **CAUTION: Always turn the Power Switch (53) to its "OFF" position and unplug the Power Cord (55) from its 110 volt electrical outlet before performing any inspection, adjustments, maintenance, or cleaning.**
2. **BEFORE EACH USE**, inspect the general condition of the Belt/Disc Sander. Check for loose screws, misalignment or binding of moving parts, cracked or broken parts, damaged electrical wiring, excessively loose Sanding Belt (2) and Sanding Disc (15), and any other condition that may affect its safe operation. If abnormal noise or vibration occurs, have the problem corrected before further use. **Do not use damaged equipment.**
3. **DAILY:** Sanding Belts (2) and Sanding Discs (15) must be sharp and clean to perform properly. Depending on materials sanded and frequency of tool use, Sanding Belts and Sanding Discs become clogged with wood particles and dull. Dull Sanding Belts and Sanding Discs rub the workpiece rather than cut, which results in increased friction, higher temperatures, and a burned workpiece. As often as possible, check the condition of the Sanding Belt and Sanding Disc and, if necessary, replace a worn Sanding Belt and Sanding Disc with a new, 6" wide by 48" Sanding Belt and 9" diameter Sanding Disc.
4. **DAILY:** With a soft brush, cloth, or vacuum, remove all sawdust and debris from the Belt/Disc Sander. Then, use a premium quality, lightweight machine oil to lubricate all moving parts.

PLEASE READ THE FOLLOWING CAREFULLY

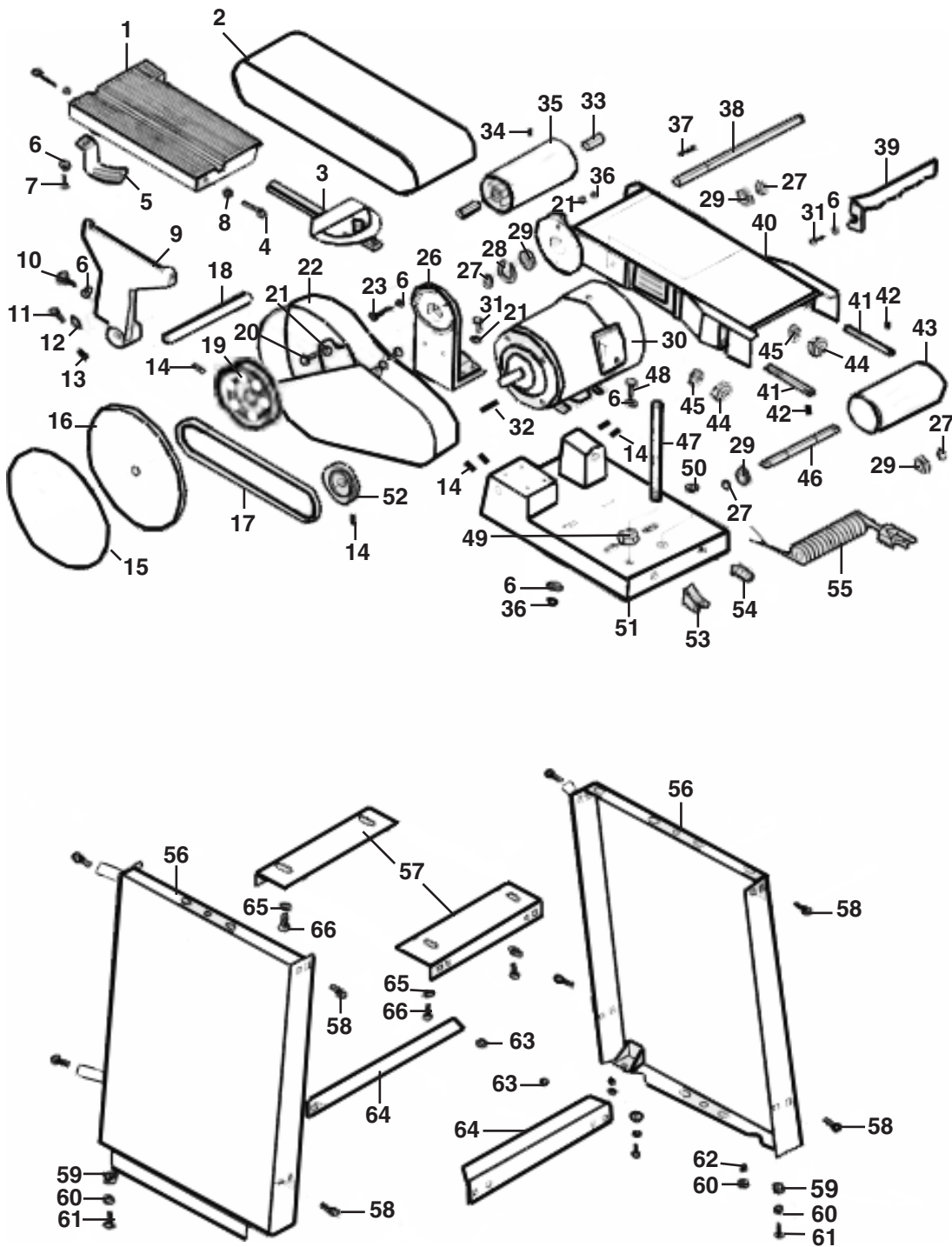
THE MANUFACTURER AND/OR DISTRIBUTOR HAS PROVIDED THE PARTS LIST AND ASSEMBLY DIAGRAM IN THIS MANUAL AS A REFERENCE TOOL ONLY. NEITHER THE MANUFACTURER OR DISTRIBUTOR MAKES ANY REPRESENTATION OR WARRANTY OF ANY KIND TO THE BUYER THAT HE OR SHE IS QUALIFIED TO MAKE ANY REPAIRS TO THE PRODUCT, OR THAT HE OR SHE IS QUALIFIED TO REPLACE ANY PARTS OF THE PRODUCT. IN FACT, THE MANUFACTURER AND/OR DISTRIBUTOR EXPRESSLY STATES THAT ALL REPAIRS AND PARTS REPLACEMENTS SHOULD BE UNDERTAKEN BY CERTIFIED AND LICENSED TECHNICIANS, AND NOT BY THE BUYER. THE BUYER ASSUMES ALL RISK AND LIABILITY ARISING OUT OF HIS OR HER REPAIRS TO THE ORIGINAL PRODUCT OR REPLACEMENT PARTS THERETO, OR ARISING OUT OF HIS OR HER INSTALLATION OF REPLACEMENT PARTS THERETO.

PARTS LIST

PART #	DESCRIPTION	QTY	PART #	DESCRIPTION	QTY
1	Table	1	34	Set Screw	2
2	Sanding Belt	1	35	Driving Roller	1
3	Miter Gauge	1	36	Nut (M8)	6
4	Screw (M5x30)	2	37	Key (B5x50)	1
5	Angle Gauge	1	38	Driving Roller Shaft	1
6	Washer (8)	6	39	Back Stop	1
7	Screw (M8x12)	1	40	Sanding Belt Frame	1
8	Nut (M5)	2	41	Roller Adjust Bar	2
9	Table Support Bracket	1	42	Spring Pin (5)	2
10	Knob	1	43	Leader Roller	1
11	Screw (M5x10)	1	44	Lock Knob/Adjust Nut Assy	2
12	Pointer	1	45	Spring	2
13	Set Screw	1	46	Leader Roller Shaft	1
14	Set Screw	7	47	Support Bolt (M16x240)	1
15	Sanding Disc	1	48	Screw (M8x30)	4
16	Sanding Disc Plate	1	49	Nut (M8x30)	1
17	V-Belt (A-710)	1	50	Cord Clamp	1
18	Support Bar	1	51	Base	1
19	Large Pulley	1	52	Small Pulley	1
20	Screw (M8x10)	3	53	Switch	1
21	Washer (8)	6	54	Cord Clamp	1
22	Pulley Cover	1	55	Power Cord	1
23	Screw (M8x35)	2	56	Stand	2
24	Washer (4)	1	57	Upper Bracket	2
25	Knob	1	58	Bolt (M8x10)	16
26	Bracket	1	59	Rubber Foot	4
27	Retaining Ring	4	60	Washer (8)	8
28	C-Snap Ring	1	61	Screw (M5x12)	8
29	Ball Bearing	4	62	Nut (M5)	4
30	Motor	1	63	Nut (M8)	4
31	Screw (M8x25)	5	64	Frame	2
32	Key (B5x20)	1	65	Washer (8)	4
33	Tube	2	66	Screw (M8x10)	4

NOTE: Some parts are listed and shown for illustration purposes only, and are not available individually as replacement parts.

ASSEMBLY DIAGRAM



NOTE: Some parts are listed and shown for illustration purposes only, and are not available individually as replacement parts.

SKU 06852

For technical questions, please call 1-800-444-3353.

REV 05b

PAGE 18

LIMITED 1 YEAR / 90 DAY WARRANTY

Harbor Freight Tools Co. makes every effort to assure that its products meet high quality and durability standards, and warrants to the original purchaser that for a period of ninety days from date of purchase that the engine/motor, the belts (if so equipped), and the blades (if so equipped) are free of defects in materials and workmanship. Harbor Freight Tools also warrants to the original purchaser, for a period of one year from date of purchase, that all other parts and components of the product are free from defects in materials and workmanship (90 days if used by a professional contractor or if used as rental equipment). This warranty does not apply to damage due directly or indirectly, to misuse, abuse, negligence or accidents, repairs or alterations outside our facilities, normal wear and tear, or to lack of maintenance. We shall in no event be liable for death, injuries to persons or property, or for incidental, contingent, special or consequential damages arising from the use of our product. Some states do not allow the exclusion or limitation of incidental or consequential damages, so the above limitation of exclusion may not apply to you. THIS WARRANTY IS EXPRESSLY IN LIEU OF ALL OTHER WARRANTIES, EXPRESS OR IMPLIED, INCLUDING THE WARRANTIES OF MERCHANTABILITY AND FITNESS.

To take advantage of this warranty, the product or part must be returned to us with transportation charges prepaid. Proof of purchase date and an explanation of the complaint must accompany the merchandise. If our inspection verifies the defect, we will either repair or replace the product at our election or we may elect to refund the purchase price if we cannot readily and quickly provide you with a replacement. We will return repaired products at our expense, but if we determine there is no defect, or that the defect resulted from causes not within the scope of our warranty, then you must bear the cost of returning the product.

This warranty gives you specific legal rights and you may also have other rights which vary from state to state.

3491 Mission Oaks Blvd. • PO Box 6009 • Camarillo, CA 93011 • (800) 444-3353

Free Manuals Download Website

<http://myh66.com>

<http://usermanuals.us>

<http://www.somanuals.com>

<http://www.4manuals.cc>

<http://www.manual-lib.com>

<http://www.404manual.com>

<http://www.luxmanual.com>

<http://aubethermostatmanual.com>

Golf course search by state

<http://golfingnear.com>

Email search by domain

<http://emailbydomain.com>

Auto manuals search

<http://auto.somanuals.com>

TV manuals search

<http://tv.somanuals.com>