

FOUR POST BOOT & GLOVE DRYER

Model 67326

SET UP AND OPERATING INSTRUCTIONS



Distributed exclusively by Harbor Freight Tools®.

3491 Mission Oaks Blvd., Camarillo, CA 93011

Visit our website at: <http://www.harborfreight.com>



**Read this material before using this product.
Failure to do so can result in serious injury.
SAVE THIS MANUAL.**

Copyright© 2009 by Harbor Freight Tools®. All rights reserved. No portion of this manual or any artwork contained herein may be reproduced in any shape or form without the express written consent of Harbor Freight Tools. Diagrams within this manual may not be drawn proportionally. Due to continuing improvements, actual product may differ slightly from the product described herein. Tools required for assembly and service may not be included.

For technical questions or replacement parts, please call 1-800-444-3353.

SAVE THIS MANUAL

Keep this manual for the safety warnings and precautions, assembly, operating, inspection, maintenance and cleaning procedures. Write the product's serial number in the back of the manual near the assembly diagram (or month and year of purchase if product has no number). Keep this manual and the receipt in a safe and dry place for future reference.

Safety Symbols

In this manual, on the labeling, and all other information provided with this product:



This is the safety alert symbol. It is used to alert you to potential personal injury hazards. Obey all safety messages that follow this symbol to avoid possible injury or death.

⚠ DANGER

DANGER indicates a hazardous situation which, if not avoided, will result in death or serious injury.

⚠ WARNING

WARNING indicates a hazardous situation which, if not avoided, could result in death or serious injury.

⚠ CAUTION

CAUTION, used with the safety alert symbol, indicates a hazardous situation which, if not avoided, could result in minor or moderate injury.

NOTICE

NOTICE is used to address practices not related to personal injury.

CAUTION

CAUTION, without the safety alert symbol, is used to address practices not related to personal injury.

IMPORTANT SAFEGUARDS

⚠ CAUTION

READ THESE INSTRUCTIONS

⚠ WARNING

1. To reduce the risk of fire or electric shock, do not use this Dryer with any solid-state speed control device.
2. This appliance has a polarized plug (one blade is wider than the other). To reduce the risk of electric shock, this plug is intended to fit into a polarized outlet only one way. If the plug does not fit fully in the outlet, reverse the plug. If it still does not fit, contact a qualified electrician. Do not change the plug in any way. Do not attempt to defeat this safety feature.
3. Do not leave Dryer running while unattended.
4. Always connect to a GFCI protected outlet.
5. Read all Instructions.

6. Use appliance only for its intended use, Household use only. Do not use outdoors.
7. To reduce the risk of electric shock, do not immerse the appliance in water or other liquids.
8. Never yank cord to disconnect from outlet; instead, grasp plug and pull to disconnect. Do not use cord as a handle or pull cord around sharp edges or corners. Keep cord away from heated surface. Loop cord loosely around appliance when storing.
9. Always disconnect from electrical outlet when not in use.
10. Do not operate with a damaged cord, or if the appliance has been dropped or damaged. To reduce the risk of electric shock, do not disassemble or attempt to repair the appliance, take it to a qualified service person for examination and repair. Incorrect re-assembly or repair could cause a risk of fire, electric shock, or injury to persons when the appliance is used. Use only manufacturer's recommended accessories.
11. Do not put any object into openings.
12. This appliance is not for space heating purposes.
13. DO NOT IMMERSE IN WATER. NE PAS IMMERGER.
14. Maintain labels and nameplates on the tool. If unreadable or missing, contact Harbor Freight Tools for a replacement.
15. Do not run Power Cord under carpeting. Do not cover cord with throw rugs, runners or similar coverings. Arrange cord away from traffic area and where it will not be tripped over.
16. Use only in dry environments. Do not use in bathrooms, laundry area, near sinks or other sources of water.
17. This product is not a toy. Keep it out of reach of children.
18. WARNING: Handling cord on this product will expose you to lead, a chemical known to the State of California to cause cancer, and birth defects or other reproductive harm. Wash hands after handling. (California Health & Safety Code § 25249.5, *et seq.*)
19. The warnings, precautions, and instructions discussed in this instruction manual cannot cover all conditions and situations that may occur. It must be understood by operator that common sense and caution are factors which cannot be built into this product, but must be supplied by operator.



**SAVE THESE
INSTRUCTIONS.**

SPECIFICATIONS

Electrical Requirements	120 V~ / 60 Hz / 230 W with heat, 30 W without heat
Settings	Rocker Switch: No Heat / Heat Timer Switch: Off, variable to 3 hours, with 10 minute increments, up to 180 minutes

HOUSEHOLD USE ONLY



UNPACKING

When unpacking, make sure that the item is intact and undamaged. If any parts are missing or broken, please call Harbor Freight Tools at 1-800-444-3353 as soon as possible.

COMPONENTS & CONTROLS

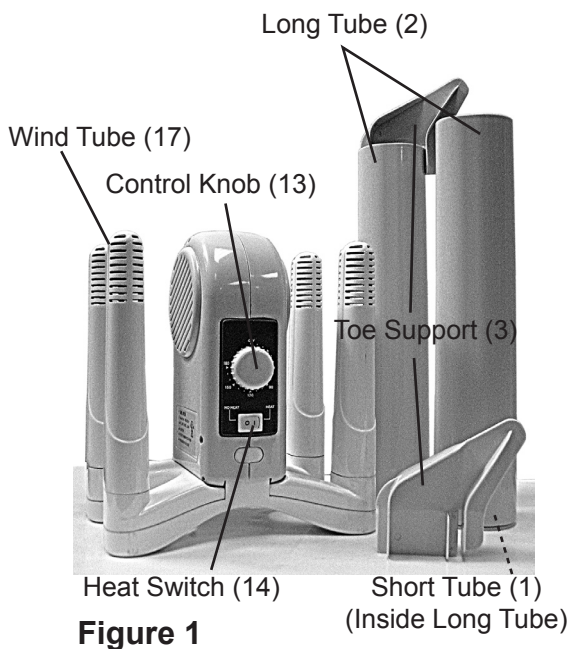


Figure 1

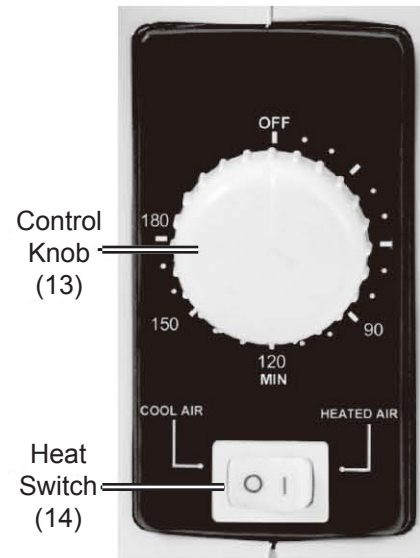


Figure 2

SET UP & OPERATION



Read the **ENTIRE RULES FOR SAFE OPERATION** section at the beginning of this manual including all text under subheadings therein before set up or use of this product.

WARNING

TO PREVENT SERIOUS INJURY

FROM ACCIDENTAL OPERATION OR ELECTRIC SHOCK:

Before assembly, cleaning or adjustment, make sure the cord is unplugged, and the unit has cooled.

Note: For additional information regarding parts listed, refer to Assembly Diagram at back of manual.

This dryer is for drying socks, gloves and mittens as well as footwear and boots.

Set Up

For smaller items, place the item directly over the Wind Tube (17). Pull the wrist area of gloves up over the gloves to prevent them from restricting airflow.

For tall items, such as boots, set up the two Long Tubes (2) as follows:

- a. Slide the Short Tube (1) inside the large end of the Long Tube (2).
- b. Fit the Toe Support (3) onto the remaining end of the Long Tube, sliding the Tube edge into the slot on the Toe Support.
- c. To Safely balance the unit, slide the Tube assemblies over diagonally opposite Wind Tubes (17). The Short Tube holes are off center, so check to make sure that the thinner side of the tube is closest to the center of the unit so you will have plenty of room to slide the boot in place.
- d. Slide the boot over the Tube assemblies, making sure that the entire unit is balanced so it will not tip over during use.

Operation

1. Place the dryer on a flat, level surface. Set the control knob to the off position.
2. Plug the unit into a 120V outlet.
3. Select Heat or No Heat with the Heat Switch (14).
4. Set the Control Knob (13) to the desired drying time. To set the time to less than one hour, turn the Knob past the one hour mark, then return it to the desired time.

5. When the items are dry, remove them, unplug the unit and store in a dry location away from children.

Note: Drying time will vary depending on temperature and humidity.

Smaller items will dry faster than larger items.

Footwear should be dried after every use to prevent bacteria or fungus growth.

INSPECTION AND MAINTENANCE

⚠️ WARNING TO PREVENT
SERIOUS INJURY

FROM ACCIDENTAL
OPERATION OR ELECTRIC
SHOCK:

Before appliance inspection or
maintenance, make sure the
cord is unplugged, and the unit
has cooled completely.

TO PREVENT SERIOUS INJURY
FROM APPLIANCE FAILURE:

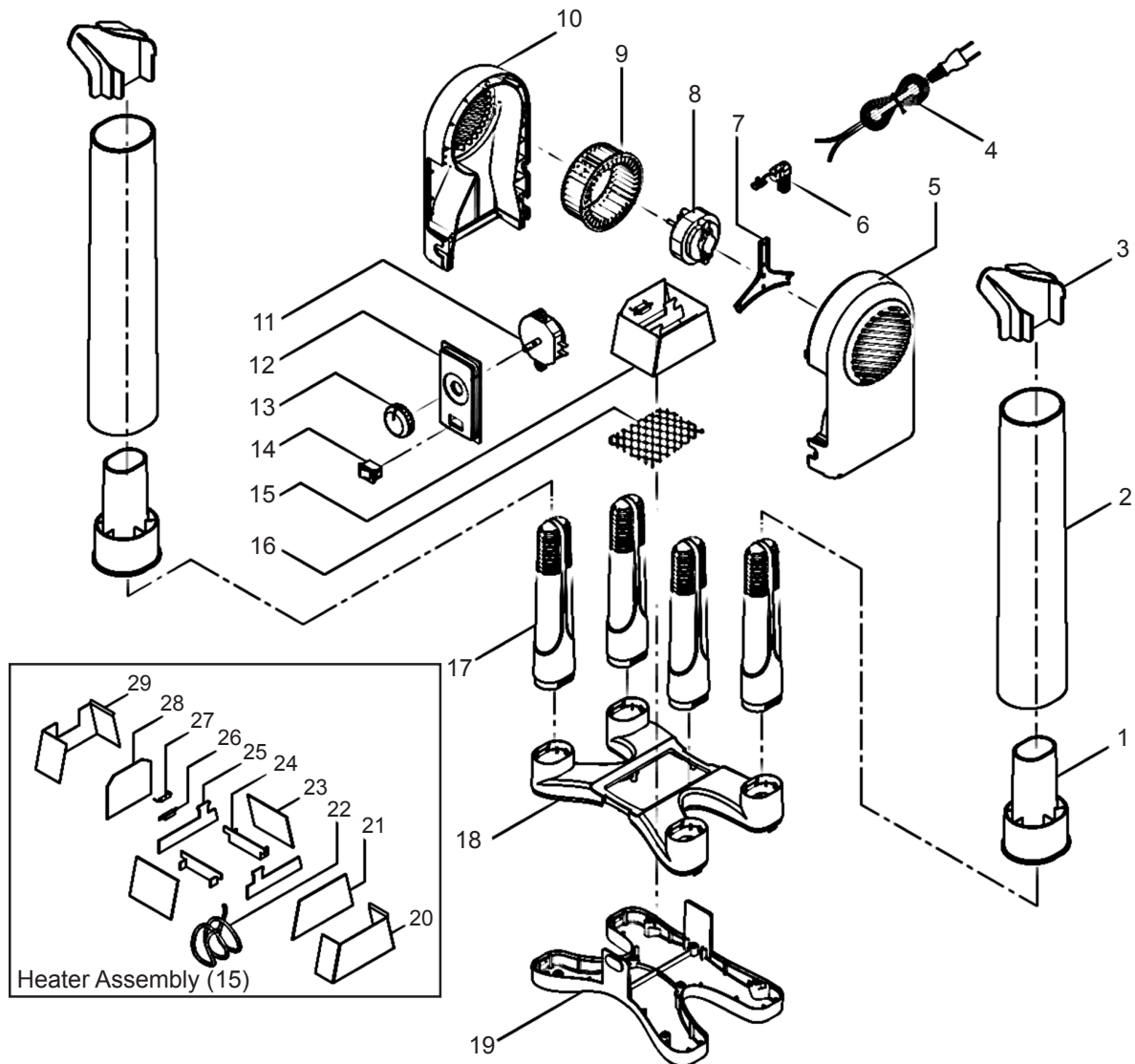
Do not use damaged
appliances. If abnormal noise
or vibration occurs, have the
problem corrected before
further use.

1. **BEFORE EACH USE**, inspect
condition of the dryer. Check for loose
screws, cracked or broken parts, and
any other condition that may affect its
safe operation.
2. Clean regularly to prevent dust from
accumulating on surfaces. Use a
damp cloth to clean, then dry before
use.
3. **⚠️ WARNING!** If the supply cord
of this tool is damaged, it must
be replaced only by a qualified
service technician.

PARTS LIST

Part	Description	Qty
1	Short Tube	2
2	Long Tube	2
3	Toe Support	2
4	Power Cord	1
5	Right Enclosure	1
6	Power Cord Connector	1
7	Motor Bracket	1
8	Motor	1
9	Fan	1
10	Left Enclosure	1
11	Timer	1
12	Control Panel	1
13	Control Knob	1
14	Heat Switch	1
15	Heater Assembly	1

Part	Description	Qty
16	Wire Mesh	1
17	Wind Tube	4
18	Top Stand	1
19	Bottom Stand	1
20	Right Plate	1
21	Right Mica Plate	1
22	Heating Element	1
23	Side Mica Plate	2
24	Side Plate	2
25	Middle Mica Plate	2
26	Thermostat	1
27	Fuse	1
28	Left Mica Plate	1
29	Left Plate	1



PLEASE READ THE FOLLOWING CAREFULLY

THE MANUFACTURER AND/OR DISTRIBUTOR HAS PROVIDED THE PARTS LIST AND ASSEMBLY DIAGRAM IN THIS MANUAL AS A REFERENCE TOOL ONLY. NEITHER THE MANUFACTURER OR DISTRIBUTOR MAKES ANY REPRESENTATION OR WARRANTY OF ANY KIND TO THE BUYER THAT HE OR SHE IS QUALIFIED TO MAKE ANY REPAIRS TO THE PRODUCT, OR THAT HE OR SHE IS QUALIFIED TO REPLACE ANY PARTS OF THE PRODUCT. IN FACT, THE MANUFACTURER AND/OR DISTRIBUTOR EXPRESSLY STATES THAT ALL REPAIRS AND PARTS REPLACEMENTS SHOULD BE UNDERTAKEN BY CERTIFIED AND LICENSED TECHNICIANS, AND NOT BY THE BUYER. THE BUYER ASSUMES ALL RISK AND LIABILITY ARISING OUT OF HIS OR HER REPAIRS TO THE ORIGINAL PRODUCT OR REPLACEMENT PARTS THERETO, OR ARISING OUT OF HIS OR HER INSTALLATION OF REPLACEMENT PARTS THERETO.

PARTS LIST AND ASSEMBLY DIAGRAM

Record Product's Serial Number Here: _____

Note: If product has no serial number, record month and year of purchase instead.

Note: Some parts are listed and shown for illustration purposes only, and are not available individually as replacement parts.

Free Manuals Download Website

<http://myh66.com>

<http://usermanuals.us>

<http://www.somanuals.com>

<http://www.4manuals.cc>

<http://www.manual-lib.com>

<http://www.404manual.com>

<http://www.luxmanual.com>

<http://aubethermostatmanual.com>

Golf course search by state

<http://golfingnear.com>

Email search by domain

<http://emailbydomain.com>

Auto manuals search

<http://auto.somanuals.com>

TV manuals search

<http://tv.somanuals.com>